



ECS5550 Series

Software Release
v1.1.6.243

CLI Reference Guide

CLI Reference Guide

ECS5550-30X

L2+/L3 Lite 10G Top of Rack switch
with 24 10GBASE-X SFP+ ports
and 6 40/100G QSFP28 ports

ECS5550-54X

L2+/L3 Lite 10G Top of Rack switch
with 48 10GBASE-X SFP+ ports
and 6 40/100G QSFP28 ports

About This Guide

This guide includes detailed information on the switch software, including how to operate and use the management functions of the switch. To deploy this switch effectively and ensure trouble-free operation, you should first read the relevant sections in this guide so that you are familiar with all of its software features.

Who Should Read This Guide? This guide is for network administrators who are responsible for operating and maintaining network equipment. The guide assumes a basic working knowledge of LANs (Local Area Networks), the Internet Protocol (IP), and Simple Network Management Protocol (SNMP).

How This Guide is Organized This guide describes the switch's command line interface (CLI). For more detailed information on the switch's key features or information about the web browser management interface refer to the *Web Management Guide*.

The guide includes these sections:

- Section I **"Getting Started"** — Includes information on initial configuration and how to use the CLI.
- Section II **"CLI Commands"** — Includes all management options available through the CLI.
- Section III **"Appendices"** — Includes information on troubleshooting switch management access.

Related Documentation This guide focuses on switch software configuration through the CLI.

For information on how to manage the switch through the Web management interface, see the following guide:

Web Management Guide

For information on how to install the switch, see the following guide:

Quick Start Guide

How to Use This Guide

For all safety information and regulatory statements, see the following documents:

Quick Start Guide
Safety and Regulatory Information

Conventions The following conventions are used throughout this guide to show information:



Note: Emphasizes important information or calls your attention to related features or instructions.



Caution: Alerts you to a potential hazard that could cause loss of data, or damage the system or equipment.



Warning: Alerts you to a potential hazard that could cause personal injury.

Documentation Notice This documentation is provided for general information purposes only. If any product feature details in this documentation conflict with the product datasheet, refer to the datasheet for the latest information.

Revision History This section summarizes the changes in each revision of this guide.

Revision	Date	Change Description
v1.1.6.243	10/2024	Initial release

Contents

About This Guide	3
Contents	5
List of CLI Commands	12

Section I	Getting Started	22
1	Initial Switch Configuration	23
	Connecting to the Switch Console Port	23
	CLI Command Levels	23
	Logging Into the CLI	23
	Setting Passwords	24
	Configuring the Switch for Remote Management	25
	Using the Craft Port or Network Interface	25
	Setting an IP Address	26
	Configuring the Switch for Cloud Management	27
	Managing System Files	28
	Upgrading the Operation Code	29
	Saving or Restoring Configuration Settings	29
2	Using the CLI	31
	Entering Commands	31
	Keywords and Arguments	31
	Minimum Abbreviation	31
	Command Completion	31
	Getting Help on Commands	31
	Partial Keyword Lookup	33
	Negating the Effect of Commands	34
	Using Command History	34
	Understanding Command Modes	34

Exec Commands	35
Configuration Commands	35
Command Line Processing	37
Showing Status Information	37
3 ECS5550 Switch Platform	39
Identifying Switch Ports in the CLI	39

Section II	CLI Commands	40
	4 General Commands	42
	5 System Management Commands	49
	Cloud Management	49
	Device Designation	55
	Banner Information	57
	System Status	66
	Fan Control	78
	Frame Size	79
	File Management	80
	General Commands	81
	Automatic Code Upgrade Commands	88
	TFTP Configuration Commands	92
	Line	94
	Event Logging	104
	SMTP Alerts	113
	Time	116
	SNTP Commands	117
	NTP Commands	120
	Manual Configuration Commands	125
	Time Range	130
	Switch Clustering	134
	6 SNMP Commands	140
	General SNMP Commands	142

SNMP Target Host Commands	145
SNMPv3 Commands	150
Notification Log Commands	157
Additional Trap Commands	159
7 Remote Monitoring Commands	163
8 Flow Sampling Commands	170
9 Authentication Commands	176
User Accounts and Privilege Levels	177
Authentication Sequence	181
RADIUS Client	183
TACACS+ Client	188
AAA	193
Web Server	205
Telnet Server	209
Secure Shell	211
802.1X Port Authentication	219
General Commands	220
Authenticator Commands	222
Supplicant Commands	228
Information Display Commands	232
Management IP Filter	235
PPPoE Intermediate Agent	237
10 General Security Measures	245
Port Security	246
Network Access (MAC Address Authentication)	251
Web Authentication	266
DHCPv4 Snooping	272
DHCPv6 Snooping	292
IPv4 Source Guard	309
IPv6 Source Guard	316
ARP Inspection	322
Denial of Service Protection	331
Port-based Traffic Segmentation	337

11	Access Control Lists	342
	IPv4 ACLs	342
	IPv6 ACLs	348
	MAC ACLs	354
	ARP ACLs	361
	ACL Information	363
12	Interface Commands	366
	Interface Configuration	367
	Transceiver Threshold Configuration	382
	Port Diagnostics	390
13	Link Aggregation Commands	392
	Manual Configuration Commands	394
	Dynamic Configuration Commands	396
	Trunk Status Display Commands	402
	MLAG Commands	404
14	Port Mirroring Commands	410
	Local Port Mirroring Commands	410
	RSPAN Mirroring Commands	413
15	Congestion Control Commands	420
	Rate Limit Commands	420
	Storm Control Commands	422
	Automatic Traffic Control Commands	423
	Threshold Commands	426
	SNMP Trap Commands	432
	ATC Display Commands	436
16	Loopback Detection Commands	438
17	UniDirectional Link Detection Commands	444
18	Address Table Commands	450
19	Smart Pair Commands	457
	Smart Pair Concept	457

20	TWAMP Commands	462
21	Spanning Tree Commands	464
22	VLAN Commands	495
	GVRP and Bridge Extension Commands	496
	Editing VLAN Groups	501
	Configuring VLAN Interfaces	503
	Displaying VLAN Information	510
	Configuring IEEE 802.1Q Tunneling	511
	Configuring L2PT Tunneling	520
	Configuring VLAN Translation	524
	Configuring Protocol-Based VLANs	527
	Configuring IP Subnet VLANs	531
	Configuring MAC Based VLANs	533
	Configuring Voice VLANs	535
	Configuring Excluded VLANs	543
23	ERPS Commands	545
24	Class of Service Commands	577
	Priority Commands (Layer 2)	577
	Priority Commands (Layer 3 and 4)	582
25	Quality of Service Commands	592
26	Control Plane Commands	610
27	Multicast Filtering Commands	613
	IGMP Snooping	613
	Static Multicast Routing	635
	IGMP Filtering and Throttling	636
	MLD Snooping	648
	MLD Filtering and Throttling	662
	MVR for IPv4	671
	MVR for IPv6	690
28	LLDP Commands	708

29	CFM Commands	733
	Defining CFM Structures	736
	Continuity Check Operations	751
	Cross Check Operations	756
	Link Trace Operations	760
	Loopback Operations	764
	Fault Generator Operations	765
	Delay Measure Operations	769
30	OAM Commands	771
31	Domain Name Service Commands	782
	DNS Commands	783
32	DHCP Commands	790
	DHCP Client	790
	DHCP for IPv4	791
	DHCP for IPv6	795
	DHCP Relay	798
	Global DHCP Relay Settings	798
	L2 DHCP Relay Option Settings	801
	DHCP Relay for IPv6	803
	DHCP Server	805
33	IP Interface Commands	819
	IPv4 Interface	819
	Basic IPv4 Configuration	820
	ARP Configuration	828
	UDP Helper Configuration	831
	IPv6 Interface	835
	Interface Address Configuration and Utilities	836
	Neighbor Discovery	850
	ND Snooping	864
34	IP Routing Commands	873
	Global Routing Configuration	873
	IPv4 Commands	874

IPv6 Commands	879
ECMP Commands	881

Section III	Appendices	882
	A Troubleshooting	883
	Problems Accessing the Management Interface	883
	Using System Logs	884
	B License Information	885
	The GNU General Public License	885

List of CLI Commands

aaa accounting commands 193
aaa accounting dot1x 194
aaa accounting exec 195
aaa accounting update 196
aaa authorization commands 197
aaa authorization exec 198
aaa authorization without-server 198
aaa group server 199
absolute 131
access-list arp 361
access-list ip 343
access-list ipv6 349
access-list mac 355
accounting commands 201
accounting dot1x 200
accounting exec 201
alias 368
arp 828
arp timeout 829
authentication enable 181
authentication login 182
authorization commands 202
authorization exec 202
auto-traffic-control 427
auto-traffic-control action 428
auto-traffic-control alarm-clear-threshold 429
auto-traffic-control alarm-fire-threshold 430
auto-traffic-control apply-timer 426
auto-traffic-control auto-control-release 431
auto-traffic-control auto-control-release-shutdown 431
auto-traffic-control control-release 432
auto-traffic-control release-timer 426
backup-port 459
banner configure 57
banner configure company 58
banner configure dc-power-info 59
banner configure department 60
banner configure equipment-info 60
banner configure equipment-location 61
banner configure ip-lan 62
banner configure ip-number 62
banner configure manager-info 63
banner configure mux 64
banner configure note 64
boot system 81
bootfile 808
bpdud-tcn-notify 560
bridge-ext gvrp 496
calendar set 129
channel-group 395
class 597
class-map 593
clear access-list hardware counters 363
clear arp-cache 830
clear counters 374
clear dns cache 787
clear efm oam counters 775
clear efm oam event-log 776
clear erps statistics 573
clear ethernet cfm ais mpid 745
clear ethernet cfm errors 755
clear ethernet cfm linktrace-cache 763
clear ethernet cfm maintenance-points remote 754
clear ip dhcp binding 816
clear ip dhcp snooping binding 290
clear ip dhcp snooping database flash 290
clear ip igmp snooping groups dynamic 630
clear ip igmp snooping statistics 631
clear ip source-guard binding blocked 314
clear ipv6 dhcp snooping binding 306
clear ipv6 dhcp snooping statistics 306
clear ipv6 mld snooping groups dynamic 657
clear ipv6 mld snooping statistics 657
clear ipv6 nd snooping binding 870
clear ipv6 nd snooping prefix 871
clear ipv6 neighbors 863
clear ipv6 traffic 847
clear log 110
clear mac-address-table dynamic 452
clear mrv groups dynamic 683
clear mrv statistics 683
clear mvr6 groups dynamic 701
clear mvr6 statistics 701
clear network-access 263
clear pppoe intermediate-agent statistics 243
client-identifier 808
clock summer-time (date) 125
clock summer-time (predefined) 126
clock summer-time (recurring) 127
clock timezone 128
cluster 135
cluster commander 135

cluster ip-pool 136
 cluster member 137
 configure 46
 control-plane 610
 control-vlan 554
 copy 82
 databits 95
 default-router 809
 delete 86
 delete public-key 215
 description 594
 description 369
 dir 86
 disable 46
 discard 369
 disconnect 102
 dns-server 809
 domain-name 810
 dos-protection echo-charge 332
 dos-protection smurf 332
 dos-protection tcp-flooding 333
 dos-protection tcp-null-scan 333
 dos-protection tcp-syn-fin-scan 334
 dos-protection tcp-udp-port-zero 334
 dos-protection tcp-xmas-scan 335
 dos-protection udp-flooding 335
 dos-protection win-nuke 336
 dot1q-tunnel system-tunnel-control 512
 dot1q-tunnel tpid 513
 dot1x default 220
 dot1x eapol-pass-through 221
 dot1x identity profile 228
 dot1x intrusion-action 222
 dot1x max-reauth-req 222
 dot1x max-req 223
 dot1x max-start 229
 dot1x operation-mode 223
 dot1x pae supplicant 229
 dot1x port-control 224
 dot1x re-authenticate 227
 dot1x re-authentication 225
 dot1x system-auth-control 221
 dot1x timeout auth-period 230
 dot1x timeout held-period 231
 dot1x timeout quiet-period 225
 dot1x timeout re-authperiod 226
 dot1x timeout start-period 231
 dot1x timeout supp-timeout 226
 dot1x timeout tx-period 227
 efm oam 772
 efm oam critical-link-event 772
 efm oam link-monitor frame threshold 773
 efm oam link-monitor frame window 774
 efm oam link-monitor frame 773
 efm oam mode 775
 efm oam remote-loopback 776
 efm oam remote-loopback test 777
 enable 44
 enable (instance) 553
 enable (ring) 552
 enable password 177
 end 48
 erps 547
 erps clear 573
 erps forced-switch 569
 erps instance 550
 erps manual-switch 571
 erps node-id 548
 erps ring 549
 erps vlan-group 549
 ethernet cfm ais level 736
 ethernet cfm ais ma 737
 ethernet cfm ais period 738
 ethernet cfm ais suppress alarm 738
 ethernet cfm cc enable 752
 ethernet cfm cc ma interval 751
 ethernet cfm delay-measure two-way 769
 ethernet cfm domain 739
 ethernet cfm enable 741
 ethernet cfm linktrace 762
 ethernet cfm linktrace cache 760
 ethernet cfm linktrace cache hold-time 761
 ethernet cfm linktrace cache size 761
 ethernet cfm loopback 764
 ethernet cfm mep 744
 ethernet cfm mep crosscheck 759
 ethernet cfm mep crosscheck start-delay 756
 ethernet cfm port-enable 745
 excluded-vlan 543
 exclusion-vlan 552
 exec-timeout 96
 exit 48
 fan-speed force-full 78
 fec 372
 flowcontrol 370
 garp timer 497
 guard-timer 557
 hardware profile portmode 374
 hardware-address 810
 history 371
 holdoff-timer 558
 host 811
 hostname 56
 inclusion-vlan 568
 interface 367
 interface loopback 823
 interface vlan 503
 ip access-group 347

List of CLI Commands

ip address 820
ip address (loopback) 823
ip arp inspection 323
ip arp inspection filter 324
ip arp inspection limit 327
ip arp inspection log-buffer logs 325
ip arp inspection trust 328
ip arp inspection validate 326
ip arp inspection vlan 326
ip default-gateway 822
ip dhcp client class-id 792
ip dhcp dynamic-provision 791
ip dhcp excluded-address 806
ip dhcp pool 806
ip dhcp relay information option 801
ip dhcp relay information option encode no-subtype 801
ip dhcp relay information option remote-id 802
ip dhcp relay information policy 802
ip dhcp relay server 798
ip dhcp restart client 794
ip dhcp restart relay 799
ip dhcp snooping 273
ip dhcp snooping max-number 288
ip dhcp snooping database flash 290
ip dhcp snooping information option 275
ip dhcp snooping information option circuit-id 284
ip dhcp snooping information option circuit-id format user-defined 285
ip dhcp snooping information option encode no-subtype 276
ip dhcp snooping information option remote-id 277
ip dhcp snooping information option remote-id format user-defined 278
ip dhcp snooping information option tr101 board-id 281
ip dhcp snooping information policy 281
ip dhcp snooping trust 289
ip dhcp snooping verify mac-address 282
ip dhcp snooping vlan 283
ip domain-list 783
ip domain-lookup 784
ip domain-name 784
ip forward-protocol udp 831
ip helper 832
ip helper-address 833
ip host 785
ip http authentication 205
ip http port 206
ip http secure-port 207
ip http secure-server 207
ip http server 206
ip http timeout 208
ip igmp authentication 639
ip igmp filter (Global Configuration) 637
ip igmp filter (Interface Configuration) 641
ip igmp max-groups 642
ip igmp max-groups action 642
ip igmp profile 638
ip igmp query-drop 643
ip igmp snooping 615
ip igmp snooping priority 615
ip igmp snooping proxy-reporting 616
ip igmp snooping querier 617
ip igmp snooping router-alert-option-check 617
ip igmp snooping router-port-expire-time 618
ip igmp snooping tcn-flood 618
ip igmp snooping tcn-query-solicit 620
ip igmp snooping unregistered-data-flood 620
ip igmp snooping unsolicited-report-interval 621
ip igmp snooping version 622
ip igmp snooping version-exclusive 622
ip igmp snooping vlan general-query-suppression 623
ip igmp snooping vlan immediate-leave 624
ip igmp snooping vlan last-memb-query-count 625
ip igmp snooping vlan last-memb-query-intvl 625
ip igmp snooping vlan mrd 626
ip igmp snooping vlan mrouter 635
ip igmp snooping vlan proxy-address 627
ip igmp snooping vlan query-interval 628
ip igmp snooping vlan query-resp-intvl 629
ip igmp snooping vlan static 629
ip multicast-data-drop 643
ip name-server 786
ip proxy-arp 829
ip route 874
ip source-guard 311
ip source-guard binding 309
ip source-guard max-binding 313
ip source-guard mode 314
ip ssh authentication-retries 214
ip ssh crypto host-key generate 216
ip ssh crypto zeroize 217
ip ssh save host-key 217
ip ssh server 214
ip ssh timeout 215
ip telnet max-sessions 209
ip telnet port 210
ip telnet server 210
ip tftp retry 92
ip tftp timeout 93
ipv6 access-group 353
ipv6 address 837
ipv6 address autoconfig 838
ipv6 address eui-64 840
ipv6 address link-local 841
ipv6 default-gateway 836
ipv6 dhcp client rapid-commit vlan 795
ipv6 dhcp relay destination 803
ipv6 dhcp restart client vlan 795

ipv6 dhcp snooping 293
 ipv6 dhcp snooping max-binding 305
 ipv6 dhcp snooping option interface-id 299
 ipv6 dhcp snooping option interface-id format user-defined 300
 ipv6 dhcp snooping option interface-id policy 303
 ipv6 dhcp snooping option remote-id 295
 ipv6 dhcp snooping option remote-id format user-defined 297
 ipv6 dhcp snooping option remote-id policy 302
 ipv6 dhcp snooping trust 305
 ipv6 dhcp snooping vlan 304
 ipv6 enable 843
 ipv6 hop-limit 850
 ipv6 host 787
 ipv6 mld filter (Global Configuration) 663
 ipv6 mld filter (Interface Configuration) 665
 ipv6 mld max-groups 666
 ipv6 mld max-groups action 667
 ipv6 mld profile 664
 ipv6 mld query-drop 667
 ipv6 mld snooping 649
 ipv6 mld snooping proxy-reporting 649
 ipv6 mld snooping querier 650
 ipv6 mld snooping query-interval 651
 ipv6 mld snooping query-max-response-time 651
 ipv6 mld snooping robustness 652
 ipv6 mld snooping router-port-expire-time 652
 ipv6 mld snooping unknown-multicast mode 653
 ipv6 mld snooping unsolicited-report-interval 654
 ipv6 mld snooping version 654
 ipv6 mld snooping vlan immediate-leave 655
 ipv6 mld snooping vlan mrouter 656
 ipv6 mld snooping vlan static 656
 ipv6 mtu 844
 ipv6 multicast-data-drop 668
 ipv6 nd dad attempts 852
 ipv6 nd managed-config-flag 854
 ipv6 nd ns-interval 855
 ipv6 nd other-config-flag 854
 ipv6 nd prefix 859
 ipv6 nd ra interval 860
 ipv6 nd ra lifetime 861
 ipv6 nd ra router-preference 862
 ipv6 nd ra suppress 862
 ipv6 nd rguard 856
 ipv6 nd reachable-time 858
 ipv6 nd snooping 865
 ipv6 nd snooping auto-detect 867
 ipv6 nd snooping auto-detect retransmit count 867
 ipv6 nd snooping auto-detect retransmit interval 868
 ipv6 nd snooping max-binding 869
 ipv6 nd snooping prefix timeout 869
 ipv6 nd snooping trust 870
 ipv6 neighbor 851
 ipv6 route 879
 ipv6 source-guard 318
 ipv6 source-guard binding 316
 ipv6 source-guard max-binding 320
 jumbo frame 79
 l2protocol-tunnel tunnel-dmac 520
 lacp 396
 lacp actor/partner mode (Ethernet Interface) 397
 lacp admin-key (Ethernet Interface) 398
 lacp admin-key (Port Channel) 401
 lacp port-priority 399
 lacp system-priority 400
 lacp timeout 401
 lease 812
 line 95
 lldp 710
 lldp admin-status 714
 lldp basic-tlv management-ip-address 715
 lldp basic-tlv management-ipv6-address 716
 lldp basic-tlv port-description 717
 lldp basic-tlv system-capabilities 717
 lldp basic-tlv system-description 718
 lldp basic-tlv system-name 718
 lldp dot1-tlv proto-ident 719
 lldp dot1-tlv proto-vid 719
 lldp dot1-tlv pvid 720
 lldp dot1-tlv vlan-name 720
 lldp dot3-tlv link-agg 721
 lldp dot3-tlv mac-phy 721
 lldp dot3-tlv max-frame 722
 lldp holdtime-multiplier 710
 lldp med-fast-start-count 711
 lldp med-location civic-addr 722
 lldp med-notification 724
 lldp med-tlv inventory 725
 lldp med-tlv location 725
 lldp med-tlv med-cap 726
 lldp med-tlv network-policy 726
 lldp notification 727
 lldp notification-interval 711
 lldp portid-subtype 714
 lldp refresh-interval 712
 lldp reinit-delay 712
 lldp tx-delay 713
 logging command 105
 logging facility 105
 logging history 106
 logging host 107
 logging level 107
 logging on 108
 logging print-screen 109
 logging sendmail 113
 logging sendmail destination-email 113

List of CLI Commands

logging sendmail host 114
logging sendmail level 115
logging sendmail source-email 115
logging trap 109
login 97
loopback detection trap 441
loopback-detection 439
loopback-detection action 439
loopback-detection recover-time 440
loopback-detection release 442
loopback-detection transmit-interval 441
ma index name 741
ma index name-format 743
mac access-group 359
mac-address-table aging-time 450
mac-address-table hash-lookup-depth 451
mac-address-table static 451
mac-authentication intrusion-action 262
mac-authentication max-mac-count 262
mac-authentication reauth-time 254
mac-learning 246
mac-vlan 533
major-ring 559
management 235
match 595
max-hops 473
maximum-paths 881
media-type 371
meg-level 553
memory 159
mep archive-hold-time 754
mep crosscheck mpid 758
mep fault-notify alarm-time 765
mep fault-notify lowest-priority 766
mep fault-notify reset-time 768
mgmt 50
mgmt loglevel 50
mgmt property 53
mgmt setoption 51
mgmt upgrade 53
mlag 405
mlag domain peer-link 406
mlag group member 406
mst priority 474
mst vlan 475
mvr 672
mvr associated-profile 673
mvr domain 673
mvr immediate-leave 680
mvr priority 674
mvr profile 674
mvr proxy-query-interval 675
mvr proxy-switching 676
mvr robustness-value 677
mvr source-port-mode dynamic 678
mvr type 681
mvr upstream-source-ip 678
mvr vlan 679
mvr vlan group 682
mvr6 associated-profile 691
mvr6 domain 691
mvr6 immediate-leave 698
mvr6 priority 692
mvr6 profile 693
mvr6 proxy-query-interval 694
mvr6 proxy-switching 694
mvr6 robustness-value 695
mvr6 source-port-mode dynamic 696
mvr6 type 699
mvr6 upstream-source-ip 697
mvr6 vlan 697
mvr6 vlan group 700
name 475
netbios-name-server 813
netbios-node-type 814
network 814
network-access aging 252
network-access dynamic-qos 254
network-access dynamic-vlan 256
network-access guest-vlan 256
network-access link-detection 257
network-access link-detection link-down 258
network-access link-detection link-up 258
network-access link-detection link-up-down 259
network-access mac-filter 253
network-access max-mac-count 259
network-access mode mac-authentication 260
network-access port-mac-filter 261
next-server 815
nlm 157
no rspan session 418
non-revertive 560
ntp authenticate 120
ntp authentication-key 120
ntp client 121
ntp server 122
option 816
parity 98
password 98
password-thresh 99
periodic 132
permit, deny 638
permit, deny 664
permit, deny (ARP ACL) 362
permit, deny (Extended IPv4 ACL) 344
permit, deny (Extended IPv6 ACL) 351
permit, deny (MAC ACL) 355
permit, deny (Standard IP ACL) 343

permit, deny (Standard IPv6 ACL) 349
physical-ring 569
ping 826
ping6 848
police flow 598
police srtcm-color 600
police trtcm-color 602
policy-map 596
port monitor 410
port security 247
port security mac-address sticky 249
port security mac-address-as-permanent 249
port-channel load-balance 394
pppoe intermediate-agent 237
pppoe intermediate-agent format-type 238
pppoe intermediate-agent port-enable 239
pppoe intermediate-agent port-format-type 240
pppoe intermediate-agent port-format-type remote-id-delimiter 241
pppoe intermediate-agent trust 242
pppoe intermediate-agent vendor-tag strip 242
primary-port 458
privilege 180
process cpu 160
process cpu guard 161
prompt 42
propagate-tc 559
protocol-vlan protocol-group (Configuring Groups) 528
protocol-vlan protocol-group (Configuring Interfaces) 529
qos map cos-dscp 583
qos map dscp-mutation 585
qos map ip-prec-dscp 586
qos map phb-queue 582
qos map trust-mode 587
queue mode 578
queue weight 579
quit 45
radius-server acct-port 183
radius-server auth-port 184
radius-server encrypted-key 186
radius-server host 184
radius-server key 185
radius-server retransmit 186
radius-server timeout 187
radius-server type radsec 187
range 639
range 665
raps-def-mac 564
raps-without-vc 565
rate-limit 421
rcommand 137
reload (Global Configuration) 43
reload (Privileged Exec) 47
rename 596
reset configuration 373
revision 476
ring-port 551
rmon alarm 164
rmon collection history 166
rmon collection rmon1 167
rmon event 165
rpl neighbor 556
rpl owner 555
rspan destination 416
rspan remote vlan 417
rspan source 415
server 199
service dhcp 807
service-policy 607
service-policy 611
set cos 604
set ip dscp 605
set phb 606
sflow owner 171
sflow polling instance 172
sflow sampling instance 173
show access-group 364
show access-list 364
show access-list arp 363
show access-list tcam-utilization 67
show accounting 203
show arp 830
show authorization 204
show auto-traffic-control 436
show auto-traffic-control interface 436
show banner 65
show bridge-ext 499
show calendar 130
show class-map 607
show cluster 138
show cluster candidates 139
show cluster members 138
show discard 376
show dns 788
show dns cache 788
show dos-protection 336
show dot1q-tunnel 518
show dot1q-tunnel service 518
show dot1q-tunnel vlan-double-tag 519
show dot1x 232
show efm oam counters interface 778
show efm oam event-log interface 778
show efm oam remote-loopback interface 779
show efm oam status remote interface 781
show efm oam status interface 780
show erps 575
show erps statistics 574
show ethernet cfm configuration 746

List of CLI Commands

show ethernet cfm errors 756
show ethernet cfm fault-notify-generator 768
show ethernet cfm linktrace-cache 764
show ethernet cfm ma 747
show ethernet cfm maintenance-points local 748
show ethernet cfm maintenance-points local detail mep 749
show ethernet cfm maintenance-points remote crosscheck 759
show ethernet cfm maintenance-points remote detail 750
show ethernet cfm md 747
show excluded-vlan 544
show garp timer 499
show gvrp configuration 500
show hardware profile portmode 375
show history 45
show hosts 788
show interfaces brief 376
show interfaces counters 377
show interfaces history 378
show interfaces protocol-vlan protocol-group 530
show interfaces status 380
show interfaces switchport 381
show interfaces transceiver 388
show interfaces transceiver-threshold 389
show ip access-group 347
show ip access-list 348
show ip arp inspection configuration 329
show ip arp inspection interface 329
show ip arp inspection log 330
show ip arp inspection statistics 330
show ip arp inspection vlan 330
show ip dhcp 818
show ip dhcp binding 817
show ip dhcp dynamic-provision 794
show ip dhcp pool 818
show ip dhcp relay 800
show ip dhcp snooping 291
show ip dhcp snooping binding 292
show ip helper 834
show ip host-route 876
show ip igmp authentication 644
show ip igmp filter 645
show ip igmp profile 645
show ip igmp query-drop 646
show ip igmp snooping 631
show ip igmp snooping group 632
show ip igmp snooping mrouter 633
show ip igmp snooping statistics 634
show ip igmp throttle interface 646
show ip interface 824
show ip multicast-data-drop 647
show ip route 875
show ip route database 877
show ip route summary 877
show ip source-guard 315
show ip source-guard binding 315
show ip ssh 217
show ip telnet 211
show ip tftp 93
show ip traffic 824
show ip traffic 877
show ipv6 access-group 353
show ipv6 access-list 354
show ipv6 dhcp duid 797
show ipv6 dhcp relay destination 805
show ipv6 dhcp snooping 307
show ipv6 dhcp snooping binding 308
show ipv6 dhcp snooping statistics 308
show ipv6 dhcp vlan 797
show ipv6 interface 845
show ipv6 mld filter 668
show ipv6 mld profile 669
show ipv6 mld query-drop 669
show ipv6 mld snooping group 659
show ipv6 mld snooping group source-list 659
show ipv6 mld snooping mrouter 660
show ipv6 mld snooping statistics 660
show ipv6 mld throttle interface 670
show ipv6 mld snooping 658
show ipv6 mtu 846
show ipv6 nd prefix 864
show ipv6 nd rguard 857
show ipv6 nd snooping 871
show ipv6 nd snooping binding 872
show ipv6 nd snooping prefix 872
show ipv6 neighbors 863
show ipv6 route 880
show ipv6 source-guard 321
show ipv6 source-guard binding 321
show ipv6 traffic 846
show l2protocol-tunnel 524
show lacp 402
show license 68
show license file 68
show line 103
show lldp config 727
show lldp info local-device 729
show lldp info remote-device 730
show lldp info statistics 732
show log 110
show logging 111
show logging command 112
show logging sendmail 116
show loop internal 391
show loopback-detection 442
show mac access-group 360
show mac access-list 360

show mac-address-table 453
show mac-address-table aging-time 454
show mac-address-table count 455
show mac-address-table hash-algorithm 454
show mac-address-table hash-lookup-depth 456
show mac-vlan 535
show management 236
show memory 69
show mgmt log 54
show mgmt option 55
show mgmt status 54
show mgmt version 54
show mlag 408
show mlag domain 409
show mlag group 408
show mvr 684
show mvr associated-profile 684
show mvr interface 685
show mvr members 685
show mvr profile 687
show mvr statistics 687
show mvr6 702
show mvr6 associated-profile 703
show mvr6 interface 703
show mvr6 members 704
show mvr6 profile 705
show mvr6 statistics 705
show network-access 263
show network-access mac-address-table 264
show network-access mac-filter 265
show nlm oper-status 159
show ntp 123
show ntp peer-status 124
show ntp statistics peer 124
show ntp status 123
show policy-map 608
show policy-map control-plane 611
show policy-map interface 609
show port monitor 412
show port security 250
show port-channel load-balance 404
show pppoe intermediate-agent info 243
show pppoe intermediate-agent statistics 244
show privilege 180
show process cpu 70
show process cpu guard 70
show process cpu task 71
show protocol-vlan protocol-group 530
show public-key 218
show qos map cos-dscp 588
show qos map dscp-mutation 588
show qos map ip-prec-dscp 589
show qos map phb-queue 590
show qos map trust-mode 590
show queue mode 581
show queue weight 581
show radius-server 188
show reload 47
show rmon alarms 168
show rmon events 168
show rmon history 169
show rmon statistics 169
show rspan 419
show running-config 72
show sflow 174
show smart-pair 461
show snmp 144
show snmp engine-id 155
show snmp group 155
show snmp notify-filter 159
show snmp user 156
show snmp view 156
show snmp-server enable port-traps 149
show snmp-server enable port-traps atc broadcast-alarm-clear 432
show snmp-server enable port-traps atc broadcast-alarm-fire 433
show snmp-server community 142
show snmp-server contact 143
show snmp-server enable port-traps atc broadcast-alarm-clear 432
show snmp-server enable port-traps atc broadcast-alarm-fire 433
show sntp 119
show spanning-tree 491
show spanning-tree mst configuration 493
show spanning-tree tc-prop 493
show ssh 218
show startup-config 74
show subnet-vlan 532
show system 74
show tacacs-server 192
show tech-support 75
show time-range 133
show traffic-segmentation 341
show twamp reflector 463
show udd 449
show upgrade 92
show users 76
show version 77
show vlan 510
show vlan-translation 526
show voice vlan 541
show watchdog 77
show web-auth 270
show web-auth interface 271
show web-auth summary 271
shutdown 373
silent-time 100
smart-pair 457
smart-pair restore 458
snmp-server 142
snmp-server community 142
snmp-server contact 143
snmp-server enable port-traps atc broadcast-alarm-clear 432
snmp-server enable port-traps atc broadcast-alarm-fire 433

List of CLI Commands

snmp-server enable port-traps atc broadcast-control-apply 433
snmp-server enable port-traps atc broadcast-control-release 434
snmp-server enable port-traps atc multicast-alarm-clear 434
snmp-server enable port-traps atc multicast-alarm-fire 434
snmp-server enable port-traps atc multicast-control-apply 435
snmp-server enable port-traps atc multicast-control-release 435
snmp-server enable traps ethernet cfm cc 753
snmp-server enable traps ethernet cfm crosscheck 757
snmp-server enable port-traps link-up-down 148
snmp-server enable port-traps mac-notification 148
snmp-server enable traps 145
snmp-server engine-id 150
snmp-server group 151
snmp-server host 146
snmp-server location 143
snmp-server notify-filter 157
snmp-server user 152
snmp-server view 154
snmp client 117
snmp poll 118
snmp server 119
spanning-tree 465
spanning-tree bpdu-filter 477
spanning-tree bpdu-guard 477
spanning-tree cisco-prestandard 466
spanning-tree cost 478
spanning-tree edge-port 480
spanning-tree forward-time 466
spanning-tree hello-time 467
spanning-tree link-type 480
spanning-tree loopback-detection 481
spanning-tree loopback-detection action 482
spanning-tree loopback-detection release 490
spanning-tree loopback-detection release-mode 483
spanning-tree loopback-detection trap 484
spanning-tree max-age 468
spanning-tree mode 468
spanning-tree mst configuration 470
spanning-tree mst cost 485
spanning-tree mst port-priority 486
spanning-tree pathcost method 470
spanning-tree port-bpdu-flooding 486
spanning-tree port-priority 487
spanning-tree priority 471
spanning-tree protocol-migration 490
spanning-tree restricted-tcn 484
spanning-tree root-guard 488
spanning-tree spanning-disabled 488
spanning-tree system-bpdu-flooding 471
spanning-tree tc-prop 472
spanning-tree tc-prop-stop 489
spanning-tree transmission-limit 473
speed 100
stopbits 101
subnet-vlan 531
switchport acceptable-frame-types 504
switchport allowed vlan 504
switchport dot1q-tunnel mode 513
switchport dot1q-tunnel priority map 514
switchport dot1q-tunnel service match cvid 515
switchport dot1q-tunnel vlan-double-tag cvid 517
switchport forbidden vlan 498
switchport gvrp 498
switchport ingress-filtering 506
switchport l2protocol-tunnel 523
switchport mode 507
switchport native vlan 507
switchport packet-rate 422
switchport priority default 580
switchport vlan-translation 524
switchport voice vlan 539
switchport voice vlan priority 539
switchport voice vlan rule 540
switchport voice vlan security 541
tacacs-server encrypted-key 190
tacacs-server host 189
tacacs-server key 190
tacacs-server port 191
tacacs-server retransmit 191
tacacs-server timeout 192
tech-support save flash 66
telnet (client) 210
terminal 102
test loop internal 390
timeout login response 101
time-range 131
traceroute 825
traceroute6 849
traffic-segmentation 337
traffic-segmentation session 338
traffic-segmentation uplink/downlink 339
traffic-segmentation uplink-to-uplink 340
transceiver-monitor 382
transceiver-threshold current 383
transceiver-threshold rx-power 384
transceiver-threshold temperature 385
transceiver-threshold tx-power 386
transceiver-threshold voltage 387
transceiver-threshold-auto 383
twamp reflector 462
twamp reflector refwait 463
udld aggressive 447

udld detection-interval 444
udld message-interval 445
udld port 448
udld recovery 446
udld recovery-interval 446
umount 87
upgrade opcode auto 88
upgrade opcode path 90
upgrade opcode reload 92
username 178
version 567
vlan 501
vlan database 501
vlan-trunking 508
voice vlan 536
voice vlan aging 537
voice vlan mac-address 538
watchdog software 78
web-auth 269
web-auth login-attempts 267
web-auth quiet-period 267
web-auth re-authenticate (IP) 270
web-auth re-authenticate (Port) 269
web-auth session-timeout 268
web-auth system-auth-control 268
whichboot 88
wtr-delay 460
wtr-timer 557

Section I

Getting Started

This section describes how to configure the switch for management access and how to use the CLI.

This section includes these chapters:

- ["Initial Switch Configuration" on page 23](#)
- ["Using the CLI" on page 31](#)
- ["ECS5550 Switch Platform" on page 39](#)

1

Initial Switch Configuration

This chapter includes information on connecting to the switch command-line interface (CLI) and basic configuration procedures.

Connecting to the Switch Console Port

The switch CLI can be accessed by a direct connection to its RS-232 serial console port, or remotely by a Telnet or Secure Shell (SSH) connection over the network.

CLI Command Levels The CLI provides two different command levels:

- **Normal Exec** — Normal access level. The commands available at the Normal Exec level are a limited subset and allow you to only display information and use basic utilities.
- **Privileged Exec** — Privileged access level. Provides access to the full set of CLI commands. To fully configure the switch parameters, you must access the CLI at the Privileged Exec level.

Access to both CLI levels are controlled by user names and passwords. The switch has a default user name and password for each level.

Logging Into the CLI Attach a VT100-compatible terminal, or a PC running a terminal emulation program to the switch console port. Use the console cable provided with the device, or use a null-modem cable that complies with the wiring assignments shown in the *Quick Start Guide*.

To connect to the console port and log into the CLI at the Privileged Exec level using the default user name and password, complete the following steps:

1. Make sure the terminal emulation software is set as follows:
 - Select the appropriate serial port (COM port 1 or COM port 2).
 - Set the baud rate to 115200 bps.
 - Set the data format to 8 data bits, 1 stop bit, and no parity.
 - Set flow control to none.
 - Set the emulation mode to VT100.

2. Power on the switch.
After the system completes the boot cycle, the logon screen appears.
3. To initiate your console connection, press <Enter>. The “User Access Verification” procedure starts.
4. At the User Name prompt, enter “admin.”
5. At the Password prompt, also enter “admin.” (The password characters are not displayed on the console screen.)
6. The session is opened and the CLI displays the “Console#” prompt indicating you have access at the Privileged Exec level.

```
User Access Verification

Username: admin
Password:
  CLI session with the ECS5550-54X is opened.
  To end the CLI session, enter [Exit].

Console#
```

Setting Passwords

The first time you log into the CLI, you should define new passwords for both default user names (“admin” and “guest”) using the “username” command, record them and put them in a safe place.

Passwords can consist of up to 32 alphanumeric characters and are case sensitive. To prevent unauthorized access to the switch, set the passwords as follows:

1. Open the console interface with the default user name and password “admin” to access the Privileged Exec level.
2. Type “configure” and press <Enter>.
3. Type “username guest password 0 password,” for the Normal Exec level, where *password* is your new password. Press <Enter>.
4. Type “username admin password 0 password,” for the Privileged Exec level, where *password* is your new password. Press <Enter>.

```
Username: admin
Password:

  CLI session with the ECS5550-54X is opened.
```


To end the CLI session, enter [Exit].

```
Console#configure
Console(config)#username guest password 0 [password]
Console(config)#username admin password 0 [password]
Console(config)#
```

Configuring the Switch for Remote Management

Prior to accessing the switch through a network connection, you must first configure the network interface or Craft port with a valid IPv4 or IPv6 address.

The default network interface is VLAN 1 which includes all switch ports. However, note that the switch also includes a Craft port on the front panel that provides a secure management channel isolated from all other ports on the switch. This interface is not configured with an IP address by default, but may be manually configured with an IPv4 address. The Craft port is specified with the name “craft” in the commands used to configure its IP address (see [“interface” on page 367](#)).

After configuring the switch’s IP parameters, the CLI can be accessed using Telnet or SSH from any computer attached to the network. The switch can also be managed by any computer using a standard web browser, or from a network computer using SNMP network management software.



Note: This switch supports eight Telnet or SSH sessions.

Note: Any VLAN group can be assigned an IP interface address for managing the switch.

Note: The default IPv4 address and subnet mask for VLAN 1 is 192.168.2.10 255.255.255.0, with no defined default gateway.

Using the Craft Port or Network Interface

The Craft port is a dedicated for out-of-band management. In general, the Craft port should be used to manage the switch for security reasons. Traffic on this port is segregated from normal network traffic on other switch ports and cannot be switched or routed to the operational network. Additionally, if the operational network is experiencing problems, the Craft port still allows you to access the switch’s management interface and troubleshoot network problems. Configuration options on the Craft port are limited, which makes it difficult to accidentally cut off management access to the switch.

Alternatively, the switch can be managed through the operational network, known as in-band management. Because in-band management traffic is mixed in with operational network traffic, it is subject to all of the filtering rules usually applied to a standard network ports such as ACLs and VLAN tagging. In-band network management can be accessed through a connection to any network port.

Setting an IP Address You must establish IPv4 or IPv6 address information for a switch to obtain management access through the network.

To assign an IPv4 address to the switch, use the “ip address” command from the VLAN 1 interface-configuration mode. You might also need to set the IP address of the default gateway for the network to which the switch belongs.

```
Console#configure
Console(config)#interface vlan 1
Console(config-if)#ip address 192.168.1.5 255.255.255.0
Console(config-if)#exit
Console(config)#ip default-gateway 192.168.1.254
```

To configure an IPv6 link-local address (prefix in the range of FE80-FEBF) for the switch, use the “ipv6 address” command from the VLAN 1 interface-configuration mode.

```
Console(config)#interface vlan 1
Console(config-if)#ipv6 address FE80::260:3EFF:FE11:6700 link-local
Console(config-if)#ipv6 enable
Console(config-if)#
```

Alternatively, to set an IPv6 global unicast address for the switch, you must define the full address, including a network prefix and the host address for the switch. You can specify either the full IPv6 address, or the IPv6 address and prefix length.

```
Console(config)#interface vlan 1
Console(config-if)#ipv6 address 2001:DB8:2222:7272::/64
Console(config-if)#exit
Console(config)#ipv6 default-gateway 2001:DB8:2222:7272::254
Console(config)end
Console#show ipv6 interface
VLAN 1 is up
IPv6 is enabled.
Link-local address:
 fe80::260:3eff:fe11:6700%1/64
Global unicast address(es):
 2001:db8:2222:7272::/64, subnet is 2001:db8:2222:7272::/
 64[TEN] [INVALID] [INVAL
ID]
Joined group address(es):
 ff02::1:ff00:0
 ff02::1:ff11:6700
 ff02::1:2
 ff02::1
IPv6 link MTU is 1500 bytes
ND DAD is enabled, number of DAD attempts: 3.
ND retransmit interval is 1000 milliseconds
ND advertised retransmit interval is 0 milliseconds
ND reachable time is 30000 milliseconds
ND advertised reachable time is 0 milliseconds
ND advertised router lifetime is 1800 seconds

Console#show ipv6 default-gateway
```

```
IPv6 default gateway 2001:db8:2222:7272::254  
Console#
```



Note: To dynamically obtain an IPv4 address through DHCP or BOOTP, see [“IPv4 Interface” on page 819](#).

Note: For detailed information on the other ways to assign IPv6 addresses, see [“IPv6 Interface” on page 835](#).

Configuring the Switch for Cloud Management

The Edgecore ecCLOUD Controller is a cloud-based network service available from anywhere through a web-browser interface. The switch can be managed by the ecCLOUD controller once you have set up an account and registered the device on the system.

By default, the cloud management agent is disabled on the switch. Setting the cloud management agent to enabled allows the switch to be managed through the ecCLOUD system after the next reboot.

To enable the cloud management agent, log into the CLI and use the **mgmt enable** command from the Global Config level. Then reboot the switch to initiate communications with the ecCLOUD controller.

```
Username: admin  
Password:  
  
CLI session with the ECS5550-54X is opened.  
To end the CLI session, enter [Exit].  
  
Console#configure  
Console(config)#mgmt enable  
Console(config)#exit  
Console#reload  
System will be restarted, continue <y/n>? y
```

For more information on cloud management configuration, see [“Cloud Management” on page 49](#).

Managing System Files

The switch's flash memory supports three types of system files that can be managed by the CLI program, the web interface, or SNMP. The switch's file system allows files to be uploaded and downloaded, copied, deleted, and set as a start-up file.

The types of files are:

- **Configuration** — This file type stores system configuration information and is created when configuration settings are saved. Saved configuration files can be selected as a system start-up file or can be uploaded via FTP/SFTP/TFTP to a server for backup. The file named "Factory_Default_Config.cfg" contains all the system default settings and cannot be deleted from the system. If the system is booted with the factory default settings, the switch will also create a file named "startup1.cfg" that contains system settings for switch initialization, including information about the unit identifier, and MAC address for the switch. The configuration settings from the factory defaults configuration file are copied to this file, which is then used to boot the switch. See "[Saving or Restoring Configuration Settings](#)" on page 29 for more information.
- **Operation Code** — System software that is executed after boot-up, also known as run-time code. This code runs the switch operations and provides the CLI and web management interfaces.
- **Diagnostic Code** — Software that is run during system boot-up, also known as POST (Power On Self-Test).



Note: The Boot ROM and Loader cannot be uploaded or downloaded from the FTP/SFTP/TFTP server. You must follow the instructions in the release notes for new firmware, or contact your distributor for help.

Due to the size limit of the flash memory, the switch supports only two operation code files. However, you can have as many diagnostic code files and configuration files as available flash memory space allows. The available flash memory can be checked by using the **dir** command.

In the system flash memory, one file of each type must be set as the start-up file. During a system boot, the diagnostic and operation code files set as the start-up file are run, and then the start-up configuration file is loaded.

Note that configuration files should be downloaded using a file name that reflects the contents or usage of the file settings. If you download directly to the running-config, the system will reboot, and the settings will have to be copied from the running-config to a permanent file.

Upgrading the Operation Code

The following example shows how to download new firmware to the switch and activate it. The TFTP server could be any standards-compliant server running on Windows or Linux. When downloading from an FTP server, the logon interface will prompt for a user name and password configured on the remote server. Note that “anonymous” is set as the default user name.

File names on the switch are case-sensitive. The destination file name should not contain slashes (\ or /), and the maximum length for file names is 32 characters for files on the switch or 128 characters for files on the server. (Valid characters: A-Z, a-z, 0-9, “.”, “-”)

```

Console#copy tftp file
TFTP server IP address: 192.168.2.243
Choose file type:
  1. config; 2. opcode: 2
Source file name: ECS5550_V1.1.3.243.bix
Destination file name: ECS5550_V1.1.3.243.bix
Flash programming started.
Flash programming completed.
Success.
Console#config
Console(config)#boot system opcode:ECS5550_V1.1.3.243.bix
Success.
Console(config)#exit
Console#dir
File Name                               Type      Startup Modified Time          Size (bytes)
-----
Unit 1:
ECS5550_V1.1.2.243.bix                   OpCode    N          2024-07-16 07:33:47          39,400,747
ECS5550_V1.1.3.243.bix                   OpCode    Y          2024-07-15 13:21:27          39,401,799
Factory_Default_Config.cfg              Config    N          2024-07-11 08:22:53              390
startup1.cfg                             Config    Y          2024-07-15 13:23:22             2,212
test.cfg                                 Config    N          2024-07-11 08:45:36             2,684
-----
Free space for compressed user config files: 2,543,143,936
Total space: 3,082,760,192

Console#

```

Saving or Restoring Configuration Settings

Configuration commands only modify the running configuration file and are not saved when the switch is rebooted. To save all your configuration changes in nonvolatile storage, you must copy the running configuration file to the startup configuration file using the “copy” command.

New startup configuration files must have a name specified. File names on the switch are case-sensitive, can be from 1 to 31 characters, must not contain slashes (\ or /), and the leading letter of the file name must not be a period (.). (Valid characters: A-Z, a-z, 0-9, “.”, “-”, “_”)

There can be more than one user-defined configuration file saved in the switch’s flash memory, but only one is designated as the “startup” file that is loaded when the switch boots. The **copy running-config startup-config** command always sets the new file as the startup file. To select a previously saved configuration file, use the **boot system config:<filename>** command.

The maximum number of saved configuration files depends on available flash memory. The amount of available flash memory can be checked by using the **dir** command.

To save the current configuration settings, enter the following command:

1. From the Privileged Exec mode prompt, type “copy running-config startup-config” and press <Enter>.
2. Enter the name of the start-up file. Press <Enter>.

```
Console#copy running-config startup-config
Startup configuration file name []: startup
\Write to FLASH Programming.

\Write to FLASH finish.
Success.

Console#
```

To restore configuration settings from a backup server, enter the following command:

1. From the Privileged Exec mode prompt, type “copy tftp startup-config” and press <Enter>.
2. Enter the address of the TFTP server. Press <Enter>.
3. Enter the name of the startup file stored on the server. Press <Enter>.
4. Enter the name for the startup file on the switch. Press <Enter>.

```
Console#copy tftp startup-config
TFTP server IP address: 192.168.0.4
Source configuration file name: startup-rd.cfg
Startup configuration file name [startup1.cfg]:

Success.
Console#
```

2

Using the CLI

This chapter describes how to use the Command Line Interface (CLI).

Entering Commands

This section describes how to enter CLI commands.

Keywords and Arguments

A CLI command is a series of keywords and arguments. Keywords identify a command, and arguments specify configuration parameters. For example, in the command “show interfaces status ethernet 1/5,” **show interfaces** and **status** are keywords, **ethernet** is an argument that specifies the interface type, and **1/5** specifies the unit/port.

Minimum Abbreviation

The CLI will accept a minimum number of characters that uniquely identify a command. For example, the command “configure” can be entered as **con**. If an entry is ambiguous, the system will prompt for further input.

Command Completion

If you terminate input with a Tab key, the CLI will print the remaining characters of a partial keyword up to the point of ambiguity. In the “logging history” example, typing **log** followed by a tab will result in printing the command up to “**logging**.”

Getting Help on Commands

You can display a brief description of the help system by entering the **help** command. You can also display command syntax by using the “?” character to list keywords or parameters.

Showing Commands

If you enter a “?” at the command prompt, the system will display the first level of keywords or command groups. You can also display a list of valid keywords for a specific command. For example, the command “**show system ?**” displays a list of possible show commands:

```
Console#show ?
  access-group      Access groups
  access-list       Access lists
  accounting         Uses the specified accounting list
  arp               Information of ARP cache
  authorization     Information of authorization
```

auto-traffic-control	Auto traffic control information
banner	Banner info
bridge-ext	Bridge extension information
calendar	Date and time information
class-map	Displays class maps
cloud-mgmt	Displays cloud management information
cluster	Display cluster
debug	State of each debugging option
discard	Discard packet
dns	DNS information
dos-protection	Shows the system dos-protection summary information
dot1q-tunnel	dot1q-tunnel
dot1x	802.1X content
efm	Ethernet First Mile feature
erps	Displays ERPS configuration
ethernet	Shows Metro Ethernet information
excluded-vlan	Excluded vlan information
garp	GARP properties
gvrp	GVRP interface information
hardware	hardware related functions
history	Shows history information
hosts	Host information
interfaces	Shows interface information
ip	IP information
ipv6	IPv6 information
l2protocol-tunnel	Layer 2 protocol tunneling configuration
lacp	LACP statistics
license	Shows license information
line	TTY line information
lldp	LLDP
log	Log records
logging	Logging setting
loop	Shows the information of loopback
loopback-detection	Shows loopback detection information
mac	MAC access list
mac-address-table	Configuration of the address table
mac-vlan	MAC-based VLAN information
management	Shows management information
memory	Memory utilization
mgmt	Mgmt information
mlag	Displays MLAG information
mvr	multicast vlan registration
mvr6	IPv6 Multicast VLAN registration
network-access	Shows the entries of the secure port.
nlm	Show notification log
ntp	Network Time Protocol configuration
policy-map	Displays policy maps
port	Port characteristics
port-channel	Port channel information
pppoe	Displays PPPoE configuration
privilege	Shows current privilege level
process	Device process
protocol-vlan	Protocol-VLAN information
public-key	Public key information
qos	Quality of Service
queue	Priority queue information
radius-server	RADIUS server information
reload	Shows the reload settings
rmon	Remote monitoring information
rspan	Display status of the current RSPAN configuration
running-config	Information on the running configuration
sflow	Shows the sflow information
sftp	sftp command
smart-pair	Displays backup port information
snmp	Simple Network Management Protocol configuration and


```

snmp-server      statistics
                  Displays SNMP server configuration
sntp             Simple Network Time Protocol configuration
spanning-tree   Spanning-tree configuration
ssh             Secure shell server connections
startup-config  Startup system configuration
subnet-vlan     IP subnet-based VLAN information
system         System information
tacacs-server   TACACS server information
tech-support    Technical information
time-range      Time range
traffic-segmentation Traffic segmentation information
twamp          TWAMP configuration, statistics and session information
udld           Displays UDLD information
upgrade        Shows upgrade information
users          Information about users logged in
version        System hardware and software versions
vlan           Shows virtual LAN settings
vlan-translation VLAN translation information
voice          Shows the voice VLAN information
watchdog       Displays watchdog status
web-auth       Shows web authentication configuration
Console#show

```

The command “**show interfaces ?**” will display the following information:

```

Console#show interfaces ?
brief           Shows brief interface description
counters        Interface counters information
history         Historical sample of interface counters information
protocol-vlan   Protocol-VLAN information
status          Shows interface status
switchport      Shows interface switchport information
transceiver     Interface of transceiver information
transceiver-threshold Interface of transceiver-threshold information
Console#

```

Show commands that display more than one page of information (e.g., **show running-config**) pause and require you to press the [Space] bar to continue displaying one more page, the [Enter] key to display one more line, or the [a] key to display the rest of the information without stopping. You can press any other key to terminate the display.

Partial Keyword Lookup

If you terminate a partial keyword with a question mark, alternatives that match the initial letters are provided. (Remember not to leave a space between the command and question mark.) For example “**s?**” shows all the keywords starting with “s.”

```

Console#show s?
sflow          sftp          smart-pair     snmp           snmp-server

sntp           spanning-tree  ssh           startup-config subnet-vlan

system

Console#show s

```

Negating the Effect of Commands For many configuration commands you can enter the prefix keyword “no” to cancel the effect of a command or reset the configuration to the default value. For example, the **logging** command will log system messages to a host server. To disable logging, specify the **no logging** command. This guide describes the negation effect for all applicable commands.

Using Command History The CLI maintains a history of commands that have been entered. You can scroll back through the history of commands by pressing the up arrow key. Any command displayed in the history list can be executed again, or first modified and then executed.

Using the **show history** command displays a longer list of recently executed commands.

Understanding Command Modes The command set is divided into Exec and Configuration classes. Exec commands generally display information on system status or clear statistical counters. Configuration commands, on the other hand, modify interface parameters or enable certain switching functions. These classes are further divided into different modes. Available commands depend on the selected mode. You can always enter a question mark “?” at the prompt to display a list of the commands available for the current mode. The command classes and associated modes are displayed in the following table:

Table 1: General Command Modes

Class	Mode
Exec	Normal Privileged
Configuration	Global* Access Control List Class Map DHCP ERPS IGMP Profile Interface Line Multiple Spanning Tree Time Range VLAN Database

* You must be in Privileged Exec mode to access the Global configuration mode.
You must be in Global Configuration mode to access any of the other configuration modes.

Exec Commands When you open a new console session on the switch with the user name and password “guest,” the system enters the Normal Exec command mode (or guest mode), displaying the “Console>” command prompt. Only a limited number of the commands are available in this mode. You can access all commands only from the Privileged Exec command mode (or administrator mode). To access Privilege Exec mode, open a new console session with the user name and password “admin.” The system will now display the “Console#” command prompt. You can also enter Privileged Exec mode from within Normal Exec mode, by entering the **enable** command, followed by the privileged level password “super.”

To enter Privileged Exec mode, enter the following user names and passwords:

```
Username: admin
Password: [admin login password]

CLI session with the ECS5550-54X is opened.
To end the CLI session, enter [Exit].

Console#
```

```
Username: guest
Password: [guest login password]

CLI session with the ECS5550-54X is opened.
To end the CLI session, enter [Exit].

Console>enable
Password: [privileged level password]
Console#
```

Configuration Commands Configuration commands are privileged level commands used to modify switch settings. These commands modify the running configuration only and are not saved when the switch is rebooted. To store the running configuration in non-volatile storage, use the **copy running-config startup-config** command.

To enter the Global Configuration mode, enter the command **configure** in Privileged Exec mode. The system prompt will change to “Console(config)#”, which gives you access privilege to all Global Configuration commands.

```
Console#configure
Console(config)#
```

To enter the other modes, at the configuration prompt type one of the following commands. Use the **exit** or **end** command to return to the Privileged Exec mode.

Table 2: Configuration Command Modes

Mode	Command	Prompt	Page
Access Control List	access-list arp	Console(config-arp-acl)	361
	access-list ip standard	Console(config-std-acl)	343
	access-list ip extended	Console(config-ext-acl)	343
	access-list ipv6 standard	Console(config-std-ipv6-acl)	349
	access-list ipv6 extended	Console(config-ext-ipv6-acl)	349
	access-list mac	Console(config-mac-acl)	355
Class Map	class-map	Console(config-cmap)	593
ERPS	erps instance	Console(config-erps-inst)	550
	erps ring	Console(config-erps-ring)	549
DHCP	ip dhcp pool	Console(config-dhcp)	806
Interface	interface {ethernet port port-channel id vlan id}	Console(config-if)	367
Line	line {console vty}	Console(config-line)	95
MSTP	spanning-tree mst-configuration	Console(config-mstp)	470
Control Plane	control-plane	Console(config-cp)	610
Time Range	time-range	Console(config-time-range)	131
VLAN	vlan database	Console(config-vlan)	501

The access modes in this guide are indicated by these abbreviations:

- ACL (Access Control List Configuration)
- CM (Class Map Configuration)
- CP (Control Plane Interface Configuration)
- ERPS (Ethernet Ring Protection Switching Configuration)
- GC (Global Configuration)
- IC (Interface Configuration)
- IPC (IGMP Profile Configuration)
- LC (Line Configuration)
- MST (Multiple Spanning Tree)
- NE (Normal Exec)
- PE (Privileged Exec)
- VC (VLAN Database Configuration)

Command Line Processing

Commands are not case sensitive. You can abbreviate commands and parameters as long as they contain enough letters to differentiate them from any other currently available commands or parameters. You can use the Tab key to complete partial commands, or enter a partial command followed by the “?” character to display a list of possible matches. You can also use the following editing keystrokes for command-line processing:

Table 3: Keystroke Commands

Keystroke	Function
Ctrl-A	Shifts cursor to start of command line.
Ctrl-B	Shifts cursor to the left one character.
Ctrl-C	Terminates the current task and displays the command prompt.
Ctrl-E	Shifts cursor to end of command line.
Ctrl-F	Shifts cursor to the right one character.
Ctrl-K	Deletes all characters from the cursor to the end of the line.
Ctrl-L	Repeats current command line on a new line.
Ctrl-N	Enters the next command line in the history buffer.
Ctrl-P	Enters the last command.
Ctrl-R	Repeats current command line on a new line.
Ctrl-U	Deletes from the cursor to the beginning of the line.
Ctrl-W	Deletes the last word typed.
Esc-B	Moves the cursor back one word.
Esc-D	Deletes from the cursor to the end of the word.
Esc-F	Moves the cursor forward one word.
Delete key or backspace key	Erases a mistake when entering a command.

Showing Status Information

There are various “show” commands which display configuration settings or the status of specified processes. Many of these commands will not display any information unless the switch is properly configured, and in some cases the interface to which a command applies is up.

For example, if a static router port is configured, the corresponding show command will not display any information unless IGMP snooping is enabled, and the link for the static router port is up.

```

Console#configure
Console(config)#ip igmp snooping vlan 1 mrouter ethernet 1/11
Console(config)#end
Console#show ip igmp snooping mrouter
  VLAN M'cast Router Ports Type
  ----
Console#configure

```

```
Console(config)#ip igmp snooping
Console(config)#end
Console#show ip igmp snooping mrouter
VLAN M'cast Router Ports Type
-----
1    Eth 1/11                Static
Console#
```

3

ECS5550 Switch Platform

Some CLI options and parameters vary by switch platform, this chapter includes platform-specific information related to the CLI.

Identifying Switch Ports in the CLI

CLI commands use the following format to identify physical switch ports:

ethernet *unit/port*

unit - Stack unit identifier.

port - Physical port number.

For aggregated port links, the CLI uses this format:

port-channel *channel-id*

channel-id - The aggregated link (trunk) index.

All CLI commands in this guide accept the following range of values for *unit*, *port*, and *channel-id*, unless otherwise specified.

Table 4: CLI Port Identification Ranges

Switch Model	Unit	Port	Channel ID
ECS5550-30X	Always 1	1-30	1-28
ECS5550-54X	Always 1	1-54	1-28

For example, the following CLI command enters the configuration mode for port 7.

```
Console(config)#interface ethernet 1/7
Console(config-if)#
```

Section II

CLI Commands

This section provides a detailed description of the CLI, along with examples for all of the commands.

This section includes these chapters:

- [“General Commands” on page 42](#)
- [“System Management Commands” on page 49](#)
- [“SNMP Commands” on page 140](#)
- [“Remote Monitoring Commands” on page 163](#)
- [“Flow Sampling Commands” on page 170](#)
- [“Authentication Commands” on page 176](#)
- [“General Security Measures” on page 245](#)
- [“Access Control Lists” on page 342](#)
- [“Interface Commands” on page 366](#)
- [“Link Aggregation Commands” on page 392](#)
- [“Port Mirroring Commands” on page 410](#)
- [“Congestion Control Commands” on page 420](#)
- [“Loopback Detection Commands” on page 438](#)
- [“UniDirectional Link Detection Commands” on page 444](#)
- [“Address Table Commands” on page 450](#)
- [“Smart Pair Commands” on page 457](#)
- [“TWAMP Commands” on page 462](#)

- “Spanning Tree Commands” on page 464
- “VLAN Commands” on page 495
- “ERPS Commands” on page 545
- “Class of Service Commands” on page 577
- “Quality of Service Commands” on page 592
- “Control Plane Commands” on page 610
- “Multicast Filtering Commands” on page 613
- “LLDP Commands” on page 708
- “CFM Commands” on page 733
- “OAM Commands” on page 771
- “Domain Name Service Commands” on page 782
- “DHCP Commands” on page 790
- “IP Interface Commands” on page 819
- “IP Routing Commands” on page 873

4

General Commands

The general commands are used to control the command access mode, configuration mode, and other basic functions.

Table 5: General Commands

Command	Function	Mode
<code>prompt</code>	Customizes the CLI prompt	GC
<code>reload</code>	Restarts the system at a specified time, after a specified delay, or at a periodic interval	GC
<code>enable</code>	Activates privileged mode	NE
<code>quit</code>	Exits a CLI session	NE, PE
<code>show history</code>	Shows the command history buffer	NE, PE
<code>configure</code>	Activates global configuration mode	PE
<code>disable</code>	Returns to normal mode from privileged mode	PE
<code>reload</code>	Restarts the system immediately	PE
<code>show reload</code>	Displays the current reload settings, and the time at which next scheduled reload will take place	PE
<code>end</code>	Returns to Privileged Exec mode	any config. mode
<code>exit</code>	Returns to the previous configuration mode, or exits the CLI	any mode

prompt This command customizes the CLI prompt. Use the **no** form to restore the default prompt.

Syntax

`prompt string`

`no prompt`

string - Any alphanumeric string to use for the CLI prompt.
(Maximum length: 32 characters)

Default Setting

Console

Command Mode

Global Configuration

Command Usage

This command can be used to set the command line prompt as shown in the example below. Using the **no** form of either command will restore the default command line prompt.

Example

```
Console(config)#prompt RD2
RD2(config)#
```

reload (Global Configuration)

This command restarts the system at a specified time, after a specified delay, or at a periodic interval. You can reboot the system immediately, or you can configure the switch to reset after a specified amount of time. Use the **cancel** option to remove a configured setting.

Syntax

```
reload {at hour minute [{month day | day month} [year]] |
in {hour hours | minute minutes | hour hours minute minutes} |
regularly hour minute [period {daily | weekly day-of-week |
monthly day-of-month}] | cancel [at | in | regularly]}
```

reload at - A specified time at which to reload the switch.

hour - The hour at which to reload. (Range: 0-23)

minute - The minute at which to reload. (Range: 0-59)

month - The month at which to reload. (january ... december)

day - The day of the month at which to reload. (Range: 1-31)

year - The year at which to reload. (Range: 1970-2037)

reload in - An interval after which to reload the switch.

hours - The number of hours, combined with the minutes, before the switch resets. (Range: 0-576)

minutes - The number of minutes, combined with the hours, before the switch resets. (Range: 0-34560)

reload regularly - A periodic interval at which to reload the switch.

hour - The hour at which to reload. (Range: 0-23)

minute - The minute at which to reload. (Range: 0-59)

day-of-week - Day of the week at which to reload.
(Range: monday ... saturday)

day-of-month - Day of the month at which to reload. (Range: 1-31)

reload cancel - Cancels the specified reload option.

Default Setting

None

Command Mode

Privileged Exec, Global Configuration

Command Usage

- This command resets the entire system.
- Any combination of reload options may be specified. If the same option is re-specified, the previous setting will be overwritten.
- When the system is restarted, it will always run the Power-On Self-Test. It will also retain all configuration information stored in non-volatile memory by the `copy running-config startup-config` command (See “copy” on page 82).

Example

This example shows how to reset the switch after 30 minutes:

```
Console(config)#reload in minute 30
***
*** --- Rebooting at January  1 02:10:43 2016 ---
***

Are you sure to reboot the system at the specified time? <y/n>
```

- enable** This command activates Privileged Exec mode. In privileged mode, additional commands are available, and certain commands display additional information. See “Understanding Command Modes” on page 34.

Syntax

enable [*level*]

level - Privilege level to log into the device.

The device has two predefined privilege levels: 0: Normal Exec, 15: Privileged Exec. Enter level 15 to access Privileged Exec mode.

Default Setting

Level 15

Command Mode

Normal Exec

Command Usage

- “super” is the default password required to change the command mode from Normal Exec to Privileged Exec. (To set this password, see the [enable password](#) command.)
- The “#” character is appended to the end of the prompt to indicate that the system is in privileged access mode.

Example

```
Console>enable
Password: [privileged level password]
Console#
```

quit This command exits the configuration program.

Default Setting

None

Command Mode

Normal Exec, Privileged Exec

Command Usage

The **quit** and **exit** commands can both exit the configuration program.

Example

This example shows how to quit a CLI session:

```
Console#quit

Press ENTER to start session

User Access Verification

Username:
```

show history This command shows the contents of the command history buffer.

Default Setting

None

Command Mode

Normal Exec, Privileged Exec

Command Usage

The history buffer size is fixed at 10 Execution commands and 10 Configuration commands.

Example

In this example, the show history command lists the contents of the command history buffer:

```
Console#show history
Execution command history:
 2 config
```

```
1 show history

Configuration command history:
4 interface vlan 1
3 exit
2 interface vlan 1
1 end

Console#
```

The **!** command repeats commands from the Execution command history buffer when you are in Normal Exec or Privileged Exec Mode, and commands from the Configuration command history buffer when you are in any of the configuration modes. In this example, the **!2** command repeats the second command in the Execution history buffer (**config**).

```
Console#!2
Console#config
Console(config)#
```

configure This command activates Global Configuration mode. You must enter this mode to modify any settings on the switch. You must also enter Global Configuration mode prior to enabling some of the other configuration modes, such as Interface Configuration, Line Configuration, and VLAN Database Configuration. See [“Understanding Command Modes” on page 34](#).

Default Setting

None

Command Mode

Privileged Exec

Example

```
Console#configure
Console(config)#
```

disable This command returns to Normal Exec mode from privileged mode. In normal access mode, you can only display basic information on the switch's configuration or Ethernet statistics. To gain access to all commands, you must use the privileged mode. See [“Understanding Command Modes” on page 34](#).

Default Setting

None

Command Mode

Privileged Exec

Command Usage

The “>” character is appended to the end of the prompt to indicate that the system is in normal access mode.

Example

```
Console#disable
Console>
```

reload (Privileged Exec) This command restarts the system.



Note: When the system is restarted, it will always run the Power-On Self-Test. It will also retain all configuration information stored in non-volatile memory by the copy running-config startup-config command.

Default Setting

None

Command Mode

Privileged Exec

Command Usage

This command resets the entire system.

Example

This example shows how to reset the switch:

```
Console#reload
System will be restarted, continue <y/n>? y
```

show reload This command displays the current reload settings, and the time at which next scheduled reload will take place.

Command Mode

Privileged Exec

Example

```
Console#show reload
Reloading switch in time: 0 hours 29 minutes.

The switch will be rebooted at January 1 02:11:50 2015.
Remaining Time: 0 days, 0 hours, 29 minutes, 52 seconds.
Console#
```

end This command returns to Privileged Exec mode.

Default Setting

None

Command Mode

Global Configuration, Interface Configuration, Line Configuration, VLAN Database Configuration, and Multiple Spanning Tree Configuration.

Example

This example shows how to return to the Privileged Exec mode from the Interface Configuration mode:

```
Console(config-if)#end
Console#
```

exit This command returns to the previous configuration mode or exits the configuration program.

Default Setting

None

Command Mode

Any

Example

This example shows how to return to the Privileged Exec mode from the Global Configuration mode, and then quit the CLI session:

```
Console(config)#exit
Console#exit

Press ENTER to start session

User Access Verification

Username:
```


5

System Management Commands

The system management commands are used to control system logs, passwords, user names, management options, and display or configure a variety of other system information.

Table 6: System Management Commands

Command Group	Function
Cloud Management	Configures the switch for management from the ecCLOUD system
Device Designation	Configures information that uniquely identifies this switch
Banner Information	Configures administrative contact, device identification and location
System Status	Displays system configuration, active managers, and version information
Fan Control	Forces fans to full speed
Frame Size	Enables support for jumbo frames
File Management	Manages code image or switch configuration files
Line	Sets communication parameters for the serial port, including baud rate and console time-out
Event Logging	Controls logging of error messages
SMTP Alerts	Configures SMTP email alerts
Time (System Clock)	Sets the system clock automatically via NTP/SNTP server or manually
Time Range	Sets a time range for use by other functions, such as Access Control Lists
Switch Clustering	Configures management of multiple devices via a single IP address

Cloud Management

This section describes commands used to configure the cloud management agent on the switch for management through ecCLOUD.

Table 7: Cloud Management Commands

Command	Function	Mode
mgmt	Enables or disables cloud management for the switch	GC
mgmt loglevel	Sets the minimum level for logging messages	GC
mgmt setoption	Sets various options for the cloud management agent	GC
mgmt property	Sets cloud management settings to default values	GC

Table 7: Cloud Management Commands

Command	Function	Mode
<code>mgmt upgrade</code>	Upgrades the cloud management agent code on the switch	PE
<code>show mgmt status</code>	Displays the cloud management agent status	PE
<code>show mgmt version</code>	Displays the cloud management agent code version	PE
<code>show mgmt log</code>	Displays log messages from the cloud management agent	PE
<code>show mgmt option</code>	Displays the cloud management agent configuration options	PE

mgmt This command enables or disables the cloud management agent for the switch.

Syntax

```
mgmt {enable | disable}
```

Default Setting

Disabled

Command Mode

Global Configuration

Command Usage

- Setting the cloud management agent to enabled allows the switch to be managed through the ecCLOUD system after the next reboot. By default, the cloud management agent is disabled.
- After setting the cloud management agent to enabled or disabled, it requires a reboot of the switch to take effect.

Example

```
Console(config)#mgmt enable  
Console(config)#
```

mgmt loglevel This command sets the minimum level for cloud management agent logging messages. Use the **no** form to reset to the default level.

Syntax

```
mgmt loglevel level
```

```
no mgmt loglevel
```

level - The minimum logging level. (Options: trace, debug, info, warn, error)

Default Setting

Info

Command Mode

Global Configuration

Command Usage

- The logging levels from minimum severity to maximum severity are: Trace, Debug, Info, Warn, Error.
- This command configures messages logged by the cloud management agent based on severity. Messages from the configured level up to the maximum level are logged. Therefore, if Info is the configured level, all messages for Info, Warn, and Error are logged.

Example

```
Console(config)#mgmt loglevel info
Console(config)#
```

mgmt setoption This command sets options for the cloud management agent. Use the **no** form to delete the specified option.

Syntax

mgmt setoption *option*

no mgmt setoption *option*

option - The option to set in the format "option name=value".

Default Setting

None

Command Mode

Global Configuration

Command Usage

- This command configures cloud management agent settings that are used in communications between the switch and the ecCLOUD controller.
- The following table lists all the cloud management agent options.

Table 8: Cloud Management Agent Options

Name	Type	Required	Default	Notes
acn.settings.latitude	decimal	no	0	Latitude of device.
acn.settings.longitude	decimal	no	0	Longitude of device.

Table 8: Cloud Management Agent Options (Continued)

Name	Type	Required	Default	Notes
acn.settings.name	string	yes	"IgniteNet" (depends on brand)	Device's name used with the controller.
acn.mgmt.enabled	boolean	no	0	Whether or not to enable mgmt agent. Used by external process which runs the actual mgmt.
acn.mgmt.loglevel	string	no	"info"	Various logging levels for mgmt. Possible values in lowering order: error, warn, info, debug, trace.
acn.mgmt.hb_interval	int	no	60	Heartbeat message sending interval.
acn.mgmt.hb_ack_timeout	int	no	57	Heartbeat acknowledgement timeout (to consider connection problem is present)
acn.mgmt.hb_retry_count	int	no	3	How many times to try and send a heartbeat without a received acknowledgment.
acn.mgmt.status_interval	int	no	300	How often to send events/client data/etc.
acn.mgmt.status_min_offset	int	no	0	Minimum time delay value for randomized offset for sending first status message.
acn.mgmt.status_max_offset	int	no	60	Maximum time delay value for randomized offset for sending first status message.
acn.mgmt.response_repetitions	int	no	120	How many response repetitions to send to the Controller (for live data, like graphs).
acn.mgmt.response_interval	int	no	3	Interval between subsequent repetitions.
acn.mgmt.fw_update_interval	int	no	5	Firmware update delay after receiving appropriate task.
acn.mgmt.fw_download_retries	int	no	10	Count of firmware download retries.
acn.mgmt.mac_tbl_interval	int	no	300	How often to send the MAC address table.
acn.mgmt.registration_inverval	int	no	60	Interval between registration attempts (if fails).
acn.mgmt.restart_interval	int	no	86400	(Temporary) interval between mgmt restarts to free leaked memory.
acn.mgmt.task_expiry_interval	int	no	3600	Interval to check for expired tasks.
acn.mgmt.task_expiry_time	int	no	86400	Time after which task is considered to be expired.
acn.mgmt.acn.register.port	CS list	no	5222,443	Can contain multiple port values: 5222,443 for example. When more ports are present, mgmt on first connection failure retries with the next port in the list.
acn.mgmt.os_time_tolerance	int	no	240	Maximum time difference between device OS time and cloud time to tolerate. If difference is bigger, mgmt sets OS time to the controller's value.
acn.mgmt.dev_ca_off	int	no	0	Set this value to 1 to bypass SSL certificates check against registration service and XMPP server. Not to be used outside development scope.
acn.register.state	boolean	yes	0	Registration state: 0 = unreg, 1 = registered
acn.register.url	string	yes	https://regsvc.ignite.net.com/register	Registration URL.
acn.register.login	string	depends	(empty)	This is the xmpp username - it will ONLY be set after a successful registration.
acn.register.pass	string	depends	(empty)	This is the xmpp password - it will ONLY be set after a successful registration.
acn.register.host	string	depends	(empty)	This is the xmpp server - it will ONLY be set after a successful registration.

Example

```
Console(config)#mgmt setoption acn.mgmt.status_interval=600  
Console(config)#
```

mgmt property This command sets the cloud management agent properties to their default values.

Syntax

mgmt property default

Default Setting

None

Command Mode

Global Configuration

Example

```
Console(config)#mgmt property default  
Console(config)#
```

mgmt upgrade This command upgrades the cloud management agent software from a file on a TFTP server.

Syntax

mgmt upgrade {file-url}

file-url - The path to a tar.gz archive file on a TFTP server in the format:
tftp://<ip>/<folder>/<file>

Default Setting

None

Command Mode

Privileged Exec

Command Usage

The upgrade software file must be contained in a tar.gz archive file and include an MD5 checksum.

Example

```
Console#mgmt upgrade tftp://192.168.1.9/download/mgmt.tar.gz  
Console#
```

show mgmt status This command displays the status of the cloud management agent.

Syntax

```
show mgmt status
```

Command Mode

Privileged Exec

Example

```
Console#show mgmt status  
Console#
```

show mgmt version This command displays the version of the cloud management agent.

Syntax

```
show mgmt version
```

Command Mode

Privileged Exec

Example

```
Console#show mgmt version  
Mgmt version: 1.7.8-17203  
Console#
```

show mgmt log This command displays the cloud management agent log messages.

Syntax

```
show mgmt log
```

Command Mode

Privileged Exec

Example

```
Console#show mgmt log  
Mgmt log:  
2020-10-26 10:19:38 [info]: calling arg: result: true; nil  
2020-10-26 10:19:38 [info]: Starting mgmtd  
2020-10-26 10:19:38 [info]: No default route, but uptime: 3907  
2020-10-26 10:19:39 [info]: flash read  
2020-10-26 10:19:39 [info]: Starting registration process  
2020-10-26 10:19:39 [info]: mgmtd status set to UNREGISTERED  
2020-10-26 10:19:39 [info]: Sending registration request
```

```
2020-10-26 10:19:39 [info]: HTTPS: nil, host or service not provided, or not
known, nil, nil
2020-10-26 10:19:39 [info]: mgmtd status set to REG_FAILED
2020-10-26 10:19:39 [error]: Error: Unable to contact registration service!
(Empty response)
Console#
```

show mgmt option This command displays the cloud management agent options.

Syntax

```
show mgmt option
```

Command Mode

Privileged Exec

Example

```
Console#show mgmt option
Mgmtd Option:
acn.mgmt.enabled=0
acn.mgmt=acn
acn.mgmt.loglevel=info
acn.register=register
acn.register.state=0
acn.register.url=https://regsvc.ignitenet.com/register
acn.register.url_in=https://regsvc.ignitenet.in/register
acn.settings.longitude=0
acn.settings.latitude=0
acn.settings.name=IgniteNet-Switch
Console#
```

Device Designation

This section describes commands used to configure information that uniquely identifies the switch.

Table 9: Device Designation Commands

Command	Function	Mode
hostname	Specifies the host name for the switch	GC
snmp-server contact	Sets the system contact string	GC
snmp-server location	Sets the system location string	GC

hostname This command specifies or modifies the host name for this device. Use the **no** form to restore the default host name.

Syntax

hostname *name*

no hostname

name - The name of this host. (Maximum length: 255 characters)

Default Setting

None

Command Mode

Global Configuration

Command Usage

- The host name specified by this command is displayed by the [show system](#) command and on the Show > System web page.

Example

```
Console(config)#hostname RD#1  
Console(config)#
```


Banner Information

These commands are used to configure and manage administrative information about the switch, its exact data center location, details of the electrical and network circuits that supply the switch, as well as contact information for the network administrator and system manager. This information is only available via the CLI and is automatically displayed before login as soon as a console or telnet connection has been established.

Table 10: Banner Commands

Command	Function	Mode
<code>banner configure</code>	Configures the banner information that is displayed before login	GC
<code>banner configure company</code>	Configures the Company information that is displayed by banner	GC
<code>banner configure dc-power-info</code>	Configures the DC Power information that is displayed by banner	GC
<code>banner configure department</code>	Configures the Department information that is displayed by banner	GC
<code>banner configure equipment-info</code>	Configures the Equipment information that is displayed by banner	GC
<code>banner configure equipment-location</code>	Configures the Equipment Location information that is displayed by banner	GC
<code>banner configure ip-lan</code>	Configures the IP and LAN information that is displayed by banner	GC
<code>banner configure lp-number</code>	Configures the LP Number information that is displayed by banner	GC
<code>banner configure manager-info</code>	Configures the Manager contact information that is displayed by banner	GC
<code>banner configure mux</code>	Configures the MUX information that is displayed by banner	GC
<code>banner configure note</code>	Configures miscellaneous information that is displayed by banner under the Notes heading	GC
<code>show banner</code>	Displays all banner information	PE

banner configure This command is used to interactively specify administrative information for this device.

Syntax

`banner configure`

Default Setting

None

Command Mode

Global Configuration

Command Usage

The administrator can batch-input all details for the switch with one command. When the administrator finishes typing the company name and presses the enter key, the script prompts for the next piece of information, and so on, until all information has been entered. Pressing enter without inputting information at any prompt during the script's operation will leave the field empty. Spaces can be used during script mode because pressing the enter key signifies the end of data input. The delete and left-arrow keys terminate the script. The use of the backspace key during script mode is not supported. If, for example, a mistake is made in the company name, it can be corrected with the **banner configure company** command.

Example

```
Console(config)#banner configure

Company: Edgcore Networks
Responsible department: R&D Dept
Name and telephone to Contact the management people
Manager1 name: Sr. Network Admin
  phone number: 123-555-1212
Manager2 name: Jr. Network Admin
  phone number: 123-555-1213
Manager3 name: Night-shift Net Admin / Janitor
  phone number: 123-555-1214
The physical location of the equipment.
City and street address: 12 Straight St. Motown, Zimbabwe
Information about this equipment:
Manufacturer: Edgcore Networks
ID: 123_unique_id_number
Floor: 2
Row: 7
Rack: 29
Shelf in this rack: 8
Information about DC power supply.
Floor: 2
Row: 7
Rack: 25
Electrical circuit: : ec-177743209-xb
Number of LP:12
Position of the equipment in the MUX:1/23
IP LAN:192.168.1.1
Note: This is a random note about this managed switch and can contain
  miscellaneous information.
Console(config)#
```

banner configure company This command is used to configure company information displayed in the banner. Use the **no** form to remove the company name from the banner display.

Syntax

```
banner configure company name
no banner configure company
```

name - The name of the company. (Maximum length: 32 characters)

Default Setting

None

Command Mode

Global Configuration

Command Usage

Input strings cannot contain spaces. The **banner configure company** command interprets spaces as data input boundaries. The use of underscores (`_`) or other unobtrusive non-letter characters is suggested for situations where white space is necessary for clarity.

Example

```
Console(config)#banner configure company Big-Ben
Console(config)#
```

banner configure dc-power-info This command is use to configure DC power information displayed in the banner. Use the **no** form to restore the default setting.

Syntax

banner configure dc-power-info floor *floor-id* **row** *row-id* **rack** *rack-id* **electrical-circuit** *ec-id*

no banner configure dc-power-info [**floor** | **row** | **rack** | **electrical-circuit**]

floor-id - The floor number.

row-id - The row number.

rack-id - The rack number.

ec-id - The electrical circuit ID.

Maximum length of each parameter: 32 characters

Default Setting

None

Command Mode

Global Configuration

Command Usage

Input strings cannot contain spaces. The **banner configure dc-power-info** command interprets spaces as data input boundaries. The use of underscores (`_`) or other unobtrusive non-letter characters is suggested for situations where white space is necessary for clarity.

Example

```
Console(config)#banner configure dc-power-info floor 3 row 15 rack 24
    electrical-circuit 48v-id_3.15.24.2
Console(config)#
```

banner configure department This command is used to configure the department information displayed in the banner. Use the **no** form to restore the default setting.

Syntax

banner configure department *dept-name*

no banner configure department

dept-name - The name of the department.
(Maximum length: 32 characters)

Default Setting

None

Command Mode

Global Configuration

Command Usage

Input strings cannot contain spaces. The **banner configure department** command interprets spaces as data input boundaries. The use of underscores (`_`) or other unobtrusive non-letter characters is suggested for situations where white space is necessary for clarity.

Example

```
Console(config)#banner configure department R&D
Console(config)#
```

banner configure equipment-info This command is used to configure the equipment information displayed in the banner. Use the **no** form to restore the default setting.

Syntax

banner configure equipment-info *manufacturer-id mfr-id floor floor-id row row-id rack rack-id shelf-rack sr-id manufacturer mfr-name*

no banner configure equipment-info [*floor* | *manufacturer* | *manufacturer-id* | *rack* | *row* | *shelf-rack*]

mfr-id - The name of the device model number.

floor-id - The floor number.

row-id - The row number.

rack-id - The rack number.

sr-id - The shelf number in the rack.

mfr-name - The name of the device manufacturer.

Maximum length of each parameter: 32 characters

Default Setting

None

Command Mode

Global Configuration

Command Usage

Input strings cannot contain spaces. The **banner configure equipment-info** command interprets spaces as data input boundaries. The use of underscores (`_`) or other unobtrusive non-letter characters is suggested for situations where white space is necessary for clarity.

Example

```
Console(config)#banner configure equipment-info manufacturer-id ECS5550-54X
    floor 3 row 10 rack 15 shelf-rack 12 manufacturer Edgecore
Console(config)#
```

banner configure equipment-location

This command is used to configure the equipment location information displayed in the banner. Use the **no** form to restore the default setting.

Syntax

banner configure equipment-location *location*

no banner configure equipment-location

location - The address location of the device.
(Maximum length: 32 characters)

Default Setting

None

Command Mode

Global Configuration

Command Usage

Input strings cannot contain spaces. The **banner configure equipment-location** command interprets spaces as data input boundaries. The use of underscores (`_`) or other unobtrusive non-letter characters is suggested for situations where white space is necessary for clarity.

Example

```
Console(config)#banner configure equipment-location  
710_Network_Path,_Indianapolis  
Console(config)#
```

banner configure ip-lan This command is used to configure the device IP address and subnet mask information displayed in the banner. Use the **no** form to restore the default setting.

Syntax

banner configure ip-lan *ip-mask*

no banner configure ip-lan

ip-mask - The IP address and subnet mask of the device.
(Maximum length: 32 characters)

Default Setting

None

Command Mode

Global Configuration

Command Usage

Input strings cannot contain spaces. The **banner configure ip-lan** command interprets spaces as data input boundaries. The use of underscores (`_`) or other unobtrusive non-letter characters is suggested for situations where white space is necessary for clarity.

Example

```
Console(config)#banner configure ip-lan 192.168.1.1/255.255.255.0  
Console(config)#
```

banner configure lp-number This command is used to configure the LP number information displayed in the banner. Use the **no** form to restore the default setting.

Syntax

banner configure lp-number *lp-num*

no banner configure lp-number

lp-num - The LP number. (Maximum length: 32 characters)

Default Setting

None

Command Mode

Global Configuration

Command Usage

Input strings cannot contain spaces. The **banner configure lp-number** command interprets spaces as data input boundaries. The use of underscores (`_`) or other unobtrusive non-letter characters is suggested for situations where white space is necessary for clarity.

Example

```

Console(config)#banner configure lp-number 12
Console(config)#

```

banner configure manager-info This command is used to configure the manager contact information displayed in the banner. Use the **no** form to restore the default setting.

Syntax

banner configure manager-info

name *mgr1-name* **phone-number** *mgr1-number*
[name2 *mgr2-name* **phone-number** *mgr2-number* |
name3 *mgr3-name* **phone-number** *mgr3-number*]

no banner configure manager-info [**name1** | **name2** | **name3**]

mgr1-name - The name of the first manager.

mgr1-number - The phone number of the first manager.

mgr2-name - The name of the second manager.

mgr2-number - The phone number of the second manager.

mgr3-name - The name of the third manager.

mgr3-number - The phone number of the third manager.

Maximum length of each parameter: 32 characters

Default Setting

None

Command Mode

Global Configuration

Command Usage

Input strings cannot contain spaces. The **banner configure manager-info** command interprets spaces as data input boundaries. The use of underscores (`_`) or other unobtrusive non-letter characters is suggested for situations where white space is necessary for clarity.

Example

```
Console(config)#banner configure manager-info name Albert_Einstein phone-  
number 123-555-1212 name2 Lamar phone-number 123-555-1219  
Console(config)#
```

banner configure mux This command is used to configure the mux information displayed in the banner. Use the **no** form to restore the default setting.

Syntax

banner configure mux *muxinfo*

no banner configure mux

muxinfo - The circuit and PVC to which the switch is connected. (Maximum length: 32 characters)

Default Setting

None

Command Mode

Global Configuration

Command Usage

Input strings cannot contain spaces. The **banner configure mux** command interprets spaces as data input boundaries. The use of underscores (`_`) or other unobtrusive non-letter characters is suggested for situations where white space is necessary for clarity.

Example

```
Console(config)#banner configure mux telco-8734212kx_PVC-1/23  
Console(config)#
```

banner configure note This command is used to configure the note displayed in the banner. Use the **no** form to restore the default setting.

Syntax

banner configure note *note-info*

no banner configure note

note-info - Miscellaneous information that does not fit the other banner categories, or any other information of importance to users of the switch CLI. (Maximum length: 150 characters)

Default Setting

None

Command Mode

Global Configuration

Command Usage

Input strings cannot contain spaces. The **banner configure note** command interprets spaces as data input boundaries. The use of underscores (`_`) or other unobtrusive non-letter characters is suggested for situations where white space is necessary for clarity.

Example

```
Console(config)#banner configure note !!!!!ROUTINE_MAINTENANCE_firmware-
upgrade_0100-0500_GMT-0500_20071022!!!!!!_20min_network_impact_expected
Console(config)#
```

show banner This command displays all banner information.

Command Mode

Privileged Exec

Example

```
Console#show banner
Edgecore
WARNING - MONITORED ACTIONS AND ACCESSES
R&D

Albert_Einstein - 123-555-1212
Lamar - 123-555-1219

Station's information:
710_Network_Path,_Indianapolis

ECS5550-54X
Floor / Row / Rack / Sub-Rack
3/ 10 / 15 / 12
DC power supply:
Power Source A: Floor / Row / Rack / Electrical circuit
3/ 15 / 24 / 48v-id_3.15.24.2
Number of LP: 12
Position MUX: telco-8734212kx_PVC-1/23
IP LAN: 192.168.1.1/255.255.255.0
Note: !!!!!ROUTINE_MAINTENANCE_firmware-upgrade_0100-0500_GMT-
0500_20071022!!!!!!_20min_network_
Console#
```

System Status

This section describes commands used to display system information.

Table 11: System Status Commands

Command	Function	Mode
<code>tech-support save flash</code>	Writes all the content of show tech-support into flash and saves it as a log file	PE
<code>show access-list</code> <code>tcam-utilization</code>	Shows utilization parameters for TCAM	PE
<code>show license</code>	Shows all the function profile options of existing licenses	PE
<code>show license file</code>	Shows the contents of the current license file in the switch	PE
<code>show memory</code>	Shows memory utilization parameters	PE
<code>show process cpu</code>	Shows CPU utilization parameters	PE
<code>show process cpu guard</code>	Shows the CPU utilization watermark and threshold	NE
<code>show process cpu task</code>	Shows CPU utilization per process	PE
<code>show running-config</code>	Displays the configuration data currently in use	PE
<code>show startup-config</code>	Displays the contents of the configuration file (stored in flash memory) that is used to start up the system	PE
<code>show system</code>	Displays system information	NE, PE
<code>show tech-support</code>	Displays a detailed list of system settings designed to help technical support resolve configuration or functional problems	PE
<code>show users</code>	Shows all active console and Telnet sessions, including user name, idle time, and IP address of Telnet clients	NE, PE
<code>show version</code>	Displays version information for the system	NE, PE
<code>show watchdog</code>	Shows if watchdog debugging is enabled	PE
<code>watchdog software</code>	Monitors key processes, and automatically reboots the system if any of these processes are not responding correctly	PE

tech-support save flash This command writes all the content of the `show tech-support` command into flash and saves it as a log file.

Syntax

`tech-support save flash`

Command Mode

Privileged Exec

Command Usage

This command writes the content of the `show tech-support` command to flash memory and saves it as a log file. The log file can then be downloaded using the `copy log` command.

Example

```
Console#tech-support save flash
tech-support save success
Console#
```

`show access-list tcam-utilization`

This command shows utilization parameters for TCAM (Ternary Content Addressable Memory), including the number policy control entries in use, and the number of free entries.

Command Mode

Privileged Exec

Command Usage

Policy control entries (PCEs) are used by various system functions which rely on rule-based searches, including Access Control Lists (ACLs), IP Source Guard filter rules, Quality of Service (QoS) processes, or traps.

For example, when binding an ACL to a port, each rule in an ACL will use two PCEs; and when setting an IP Source Guard filter rule for a port, the system will also use two PCEs.

Example

```
Console#show access-list tcam-utilization
Pool capability code:
AM - MAC ACL, A4 - IPv4 ACL, A6S - IPv6 Standard ACL,
A6E - IPv6 extended ACL, DM - MAC diffServ, D4 - IPv4 diffServ,
D6S - IPv6 standard diffServ, D6E - IPv6 extended diffServ,
I - IP source guard, C - CPU interface, L - Link local,
Reserved - Reserved, ALL - All supported function,
```

Unit	Device	Pool	Total	Used	Free	Capability
1	0	0	128	128	0	R
1	0	1	64	0	64	A6S A6E
1	0	2	128	0	128	A4
1	0	3	128	0	128	AM
1	0	4	64	0	64	D6S D6E
1	0	5	128	0	128	D4 W IPSV
1	0	6	128	0	128	DM
1	0	7	128	0	128	MV PV VV
1	0	8	64	0	64	I
1	0	9	64	0	64	I6
1	0	10	64	64	0	C
1	0	11	64	64	0	C L
1	0	12	64	0	64	AE6S AE6E
1	0	13	128	0	128	AE4
1	0	14	128	0	128	AEM
1	0	15	64	0	64	DE6S DE6E
1	0	16	128	0	128	DE4

```
1      0  17  128      0  128 DEM  
Console#
```

show license This command displays all the function profile options of existing licenses and the current profile in the switch.

Syntax

```
show license {profile | pure}
```

profile - Displays the support details of existing license profiles.

pure - Displays details of legacy licenses that do not support profiles.

Command Mode

Normal Exec, Privileged Exec

Command Usage

- This command is used to display all the supported function profiles in the switch, with the starred (*) item being the current function profile.
- An “L2+, cloud-u” profile indicates a L2+ license that does not support cloud management. An “L2+, cloud-m” profile indicates a L2+ license that supports cloud management.

Example

```
Console#show license profile  
* L2+, cloud-m  
Console#
```

show license file This command displays the contents of the current license file in the switch.

Command Mode

Normal Exec, Privileged Exec

Example

```
Console#show license file  
sw-license/1.1  
CPU-MAC-Address: A8-2B-B5-FE-C7-B3  
Accept-Mode: *  
License-Number: 2aa82e4f-946b-49aa-a64b-a8969b31292d  
License-Issue-Date: Thu Jun  8 10:35:37 2023  
License-Profile: L2+, cloud-u  
License-Profile-Digest: e3b31bff1742417b749538c717536573  
License-Access-List: D3byK2R+QJXB1+spcypXeVTtFsfrKQ8TZ8v//  
  SrhjjY4KgAr47Zgg2Ihgg6  
wI5nnTsI5X6FmMN1wqm1QWRO1boAJINVT8OG13AEaUzbFQMfoLm0HUeqH0nNI50/  
  S8wvMIi7TlacTiIt
```

```
A0vETRBqPc8h9UL1/
 kgWpD1ptzzZbgf1JjBAaiB1+rSGLp6IuDpo03Ua14C8g8XRlW+8TN5e1Yw+Xrt4/
+fYuEW6pvumY9erJsXTc9OnM8uivoklsShtvcpsCnW4m1Z06BY0C2uRmyBg==
Signature1:
 JVzsZdOubRowusq23CkMUhRAuV5NEpU1EEWRiqK5ZsWyqKyK6o3rzPq996xcJNb6ddx4
2D22xgmQxYOJG/huxHy7BCGCBm+lzNEyXoKdzXZiq0Rjo1N1A4fvKnRI2SiS3RNm/
 tw5DuyFz6DD6D/y
R/K2BzW74gbdkNkq1ig7rXVRF0sVba3ur4FJqDCaxdf95N11Xu/
 rGSQR2KVvWqTmYPPq5hXxBdaPY5TT
8qUJo2o6GTmzPduFjxgRoQci3Hwopeq004iTEsRBd/oWrrgXLfVMl1toDvQsMRjHw1Atzb/
 sabgydnQU
AbKr9OENp0ewa0XH9CTrJtad07nivVvyLA==
Signature2:
 D77m4Bhwo3D3sJD9tT13otcnaE0DzH7VImzmXmuWfjVQzBTazdTfckayiABYxyiZxGsw
UFJSBTB7SV91zyu06nvF5Npu05ngKzXzGq868KrPXqybgk4jJKtIccANuWZ2bGMY+00AuEpxcJyM
 yAos
wZcswp53ztJifcSQ03d8NTBJHaiB2HkRkt3o2rWylLQ99WwChf9qMCBQ4GrH4btbVY0rxTio67PG
 zNoG
fQMLxBNQmsiEa+6JjFuvrrel00c8reQ9RyXF541sYv0RIyynhXtjuKHJcu5Z5fFXa4nvbfUqMXtv
 pA9d
AEy9d/CL2xAmXQZYSg0C1XJ6KGD/eBwVsA==
Console#
```

show memory This command shows memory utilization parameters, and alarm thresholds.

Command Mode

Normal Exec, Privileged Exec

Command Usage

This command shows the amount of memory currently free for use, the amount of memory allocated to active processes, the total amount of system memory, and the alarm thresholds.

Example

```
Console#show memory
Status Bytes      %
-----
Free   3598147584  83
Used   696819712   17
Total  4294967296

Alarm Configuration
Rising Threshold      : 90%
Falling Threshold    : 70%

Console#
```

show process cpu This command shows the CPU utilization parameters, alarm status, and alarm thresholds.

Command Mode

Normal Exec, Privileged Exec

Example

```
Console#show process cpu
CPU Utilization in the past 5 seconds : 24%

CPU Utilization in the past 60 seconds
Average Utilization      : 24%
Maximum Utilization      : 25%

Alarm Status
Current Alarm Status    : Off
Last Alarm Start Time   : Dec 31 00:00:19 2000
Last Alarm Duration Time : 15 seconds

Alarm Configuration
Rising Threshold        : 90%
Falling Threshold       : 70%

Console#
```

show process cpu guard This command shows the CPU utilization watermark and threshold settings.

Command Mode

Normal Exec, Privileged Exec

Example

```
Console#show process cpu guard
CPU Guard Configuration
Status          : Disabled
High Watermark  : 90%
Low Watermark   : 70%
Maximum Threshold : 500 packets per second
Minimum Threshold : 50 packets per second
Trap Status     : Disabled
CPU Guard Operation
Current Threshold : 500 packets per second

Console#
```

show process cpu task This command shows the CPU utilization per process.

Command Mode

Privileged Exec

Example

```
Console#show process cpu task
```

Task	Util (%)	Avg (%)	Max (%)
AMTR_ADDRESS	0.00	0.00	0.00
AMTRL3	0.00	0.00	0.00
AMTRL3_GROUP	0.00	0.00	0.00
APP_PROTOCOL_PR	0.00	0.00	0.00
AUTH_GROUP	0.00	0.00	0.00
AUTH_PROC	0.00	0.00	0.00
BGP_TD	0.00	0.00	0.00
CFGDB_TD	0.00	0.00	0.00
CFM_GROUP	0.00	0.00	0.00
CLITASK0	0.00	0.00	0.00
CORE_UTIL_PROC	0.00	0.00	0.00
DHCPSNP_GROUP	0.00	0.00	0.00
DOT1X_SUP_GROUP	0.00	0.00	0.00
DRIVER_GROUP	1.00	0.75	2.00
DRIVER_GROUP_FR	0.00	0.00	0.00
DRIVER_GROUP_TX	0.00	0.00	0.00
FS	0.00	0.00	0.00
HTTP_TD	0.00	0.00	5.00
HW_WTDOG_TD	0.00	0.00	0.00
IML_TX	0.00	0.00	0.00
IP_SERVICE_GROU	0.00	0.00	0.00
KEYGEN_TD	0.00	0.00	0.00
L2_L4_PROCESS	0.00	0.00	4.00
L2MCAST_GROUP	0.00	0.00	0.00
L2MUX_GROUP	0.00	0.00	0.00
L4_GROUP	0.00	0.00	0.00
LACP_GROUP	0.00	0.00	0.00
MSL_TD	0.00	0.00	0.00
NETACCESS_GROUP	0.00	0.00	0.00
NETACCESS_NMTR	0.00	0.25	2.00
NETCFG_GROUP	0.00	0.00	0.00
NETCFG_PROC	0.00	0.08	1.00
NIC	0.00	0.00	0.00
NMTRDRV	1.00	1.66	4.00
NSM_GROUP	0.00	0.00	0.00
NSM_PROC	0.00	0.00	0.00
NSM_TD	0.00	0.00	0.00
OSPF6_TD	0.00	0.00	0.00
OSPF_TD	0.00	0.00	0.00
PIM_GROUP	0.00	0.00	0.00
PIM_PROC	0.00	0.00	0.00
PIM_SM_TD	0.00	0.00	0.00
POE_PROC	0.00	0.00	0.00
RIP_TD	0.00	0.00	0.00
SNMP_GROUP	0.00	0.00	0.00
SNMP_TD	0.00	0.00	0.00
SSH_GROUP	0.00	0.00	0.00
SSH_TD	0.00	0.00	0.00
STA_GROUP	0.00	0.00	0.00
STKCTRL_GROUP	0.00	0.00	0.00
STKTPLG_GROUP	0.00	0.00	0.00
SWCTRL_GROUP	0.00	0.00	0.00
SWCTRL_TD	0.00	0.00	0.00

```
SWDRV_MONITOR      21.00    19.25    21.00
SYS_MGMT_PROC      0.00     0.00     0.00
SYSDRV             0.00     0.00     0.00
SYSLOG_TD          0.00     0.00     0.00
SYSMGMT_GROUP      0.00     0.00     0.00
SYSTEM             0.00     0.00     0.00
UDLD_GROUP         0.00     0.00     0.00
WTD OG_PROC        0.00     0.00     0.00
XFER_GROUP         0.00     0.00     0.00
XFER_TD            0.00     0.00     0.00
```

Console#

show running-config This command displays the configuration information currently in use.

Syntax

```
show running-config [interface interface | key-word]
```

interface

ethernet *unit/port*

unit - Unit identifier.

port - Port number.

port-channel *channel-id*

vlan *vlan-id* (Range: 1-4094)

key-word - One of the following keywords that identify a feature:

acl, aclaccessgroup, autotrafficcontrol, cfm, controlplane, createtrunk, dai, dhcpsnooping, dns, dot1x, erps, ethernet, excludedvlan, heartbeat, http, igmpfilter, igmpmldfilter, igmpsnooping, interface, ipdhcpsnooping, interface, ipaddress, ipv4dhcpdynamic, ipv6, ipv6dhcp, ipv6dhcpdynamic, ipv6dhcpsnooping, ipv6ndsnooping, l3global, lbd, line, lldp, loopback, macaddresstable, macvlan, managementip, mdns, mlag, mldsnooping, mvr, mvr6, netaccess, ntp, pppoeia, privilegelevel, protocolvlan, qos, qosclassmap, qosglobalmap, qospolicy, reload, remoteauthaaa, rmon, rspan, smartpair, smtp, snmp, sourceguard, spanningtreemstp, spanningtreestp, spanningtreexstp, ssh, subnetvlan, syslog, system, tftp, timerange, trafficseg, trunk, twampglobal, udld, userauth, vdsiglobal, vlan, vlandatabase, voicevlan, webauth

Command Mode

Privileged Exec

Command Usage

- Use the **interface** keyword to display configuration data for the specified interface.

- Use this command in conjunction with the **show startup-config** command to compare the information in running memory to the information stored in non-volatile memory.
- This command displays settings for key command modes. Each mode group is separated by “!” symbols, and includes the configuration mode command, and corresponding commands. This command displays the following information:
 - MAC address
 - SNMP community strings
 - Users (names, access levels, and encrypted passwords)
 - VLAN database (VLAN ID, name and state)
 - VLAN configuration settings for each interface
 - Multiple spanning tree instances (name and interfaces)
 - IP address configured for VLANs
 - Routing protocol configuration settings
 - Spanning tree settings
 - Interface settings
 - Any configured settings for the console port and Telnet
- For security reasons, user passwords are only displayed in encrypted format.

Example

```
Console#show running-config
!<stackingDB>00</stackingDB>
!<stackingMac>01_00-e0-0c-00-00-fd_03</stackingMac>
!
snmp-server community public ro
snmp-server community private rw
!
enable password 7 1b3231655cebb7a1f783eddf27d254ca
!
vlan database
  VLAN 1 name DefaultVlan media ethernet
!
spanning-tree mst configuration
!
interface ethernet 1/1
  no negotiation
...
interface ethernet 1/18
  no negotiation
!
interface vlan 1
  ip address dhcp
!
interface vlan 1
!
line console
!
line vty
!
end
!
Console#
```

show startup-config This command displays the configuration file stored in non-volatile memory that is used to start up the system.

Command Mode

Privileged Exec

Command Usage

- Use this command in conjunction with the **show running-config** command to compare the information in running memory to the information stored in non-volatile memory.
- This command displays settings for key command modes. Each mode group is separated by “!” symbols, and includes the configuration mode command, and corresponding commands. This command displays the following information:
 - MAC address
 - SNMP community strings
 - SNMP trap authentication
 - Users (names and access levels)
 - VLAN database (VLAN ID, name and state)
 - Multiple spanning tree instances (name and interfaces)
 - Interface settings and VLAN configuration settings for each interface
 - IP address for VLANs
 - Any configured settings for the console port and Telnet

Example

Refer to the example for the running configuration file.

show system This command displays system information.

Default Setting

None

Command Mode

Normal Exec, Privileged Exec

Example

```
Console#show system
System Description : ECS5550-54X
System OID String : 1.3.6.1.4.1.259.10.1.62.101
System Information
System Up Time      : 0 days, 0 hours, 32 minutes, and 45.80 seconds
System Name         :
System Location     :
System Contact      :
MAC Address (Unit 1) : B4-6A-D4-B2-EE-69
Web Server          : Enabled
Web Server Port     : 80
HTTP/HTTPS Timeout : 300(second)
Web Secure Server   : Enabled
```

```

Web Secure Server Port : 443
Telnet Server          : Enabled
Telnet Server Port     : 23
Jumbo Frame           : Disabled

System Fan:
Force Fan Speed Full   : Disabled
Unit 1
Fan 1: Ok              Fan 2: Ok              Fan 3: Ok
Fan 1 speed: 8301 rpm   Fan 2 speed: 8015 rpm   Fan 3 speed: 8015 rpm
Fan 4: Ok
Fan 4 speed: 8015 rpm

System Temperature:
Unit 1
Temperature 1          : 23 degrees
Rising Threshold      : 50 degrees
Falling Threshold     : 30 degrees
Temperature 2          : 28 degrees
Rising Threshold      : 50 degrees
Falling Threshold     : 30 degrees
Temperature 3          : 28 degrees
Rising Threshold      : 50 degrees
Falling Threshold     : 30 degrees

Unit 1

Main Power Status      : Up
Redundant Power Status : Not present
Console#

```

show tech-support This command displays a detailed list of system settings designed to help technical support resolve configuration or functional problems.

Command Mode

Normal Exec, Privileged Exec

Command Usage

This command generates a long list of information including detailed system and interface settings. It is therefore advisable to direct the output to a file using any suitable output capture function provided with your terminal emulation program.

Example

```

User Access Verification

Username: admin
Password:

      CLI session with the ECS5550-54X is opened.
      To end the CLI session, enter [Exit].

Vty-2#show tech-support

dir:
File Name                               Type      Startup Modified Time      Size (bytes)
-----

```

```
Unit 1:
ECS5550_V1.1.2.243.bix      OpCode N      2024-07-16 07:33:47  39,400,747
ECS5550_V1.1.3.243.bix      OpCode Y      2024-07-15 13:21:27  39,401,799
Factory_Default_Config.cfg  Config N      2024-07-11 08:22:53    390
startup1.cfg               Config Y      2024-07-15 13:23:22   2,212
test.cfg                   Config N      2024-07-11 08:45:36   2,684
-----
Free space for compressed user config files: 2,543,143,936
Total space: 3,082,760,192
```

```
show arp:
ARP Cache Timeout: 1200 (seconds)
```

IP Address	MAC Address	Type	Interface
192.168.2.99	F0-79-59-8F-2B-FE	dynamic	VLAN 1

```
Total entry : 1
```

```
show interfaces brief:
```

Interface Name	Status	PVID	Pri	Speed/Duplex	Type	Trunk
Eth 1/ 1 None	Down	1	0	10Gfull	10GBASE SFP+	
Eth 1/ 2 None	Down	1	0	10Gfull	10GBASE SFP+	
Eth 1/ 3 None	Down	1	0	10Gfull	10GBASE SFP+	
Eth 1/ 4 None	Down	1	0	10Gfull	10GBASE SFP+	
Eth 1/ 5 None	Down	1	0	10Gfull	10GBASE SFP+	

```
...
```

show users Shows all active console and Telnet sessions, including user name, idle time, and IP address of Telnet client.

Default Setting

None

Command Mode

Normal Exec, Privileged Exec

Command Usage

The session used to execute this command is indicated by a "*" symbol next to the line (i.e., session) index number.

Example

```
Console#show users
User Name Accounts:
User Name          Privilege  Public-Key
-----
admin              15 None
guest              0 None
```

```
Online Users:
Line      Session ID User Name          Idle Time (h:m:s) Remote IP Addr
-----
*Console          0 admin                0:00:01

Web Online Users:
Line      User Name          Idle Time (h:m:s) Remote IP Addr
-----

Console#
```

show version This command displays hardware and software version information for the system.

Command Mode

Normal Exec, Privileged Exec

Example

```
Console#show version
Unit 1
Serial Number       : EC2349002346
Hardware Version    : R0B
Number of Ports     : 54
Main Power Status   : Down
Redundant Power Status : Up
Role                : Master
Loader Version      : 1.0.1
Linux Kernel Version : 4.14.207-10.23.01
Operation Code Version : 1.1.6.243

Console#
```

show watchdog This command shows if watchdog debugging is enabled.

Command Mode

Privileged Exec

Example

```
Console#show watchdog
Software Watchdog Information
Status : Enabled
AutoReload : Enabled

Console#
```

watchdog software This command monitors key processes, and automatically reboots the system if any of these processes are not responding correctly.

Syntax

```
watchdog software {disable | enable}
```

Default Setting

Disabled

Command Mode

Privileged Exec

Example

```
Console#watchdog software disable  
Console#
```

Fan Control

This section describes the command used to force fan speed.

Table 12: Fan Control Commands

Command	Function	Mode
fan-speed force-full	Forces fans to full speed	GC
show system	Shows if full fan speed is enabled	NE, PE

fan-speed force-full This command sets all fans to full speed. Use the `no` form to reset the fans to normal operating speed. Use the **no** form to restore the default setting.

Syntax

```
[no] fan-speed force-full
```

Default Setting

Normal speed

Command Mode

Global Configuration

Example

```
Console(config)#fan-speed force-full  
Console(config)#
```

Frame Size

This section describes commands used to configure the Ethernet frame size on the switch.

Table 13: Frame Size Commands

Command	Function	Mode
<code>jumbo frame</code>	Enables support for jumbo frames	GC

jumbo frame This command enables support for layer 2 jumbo frames for Gigabit and 10 Gigabit Ethernet ports. Use the **no** form to disable it.

Syntax

`[no] jumbo frame`

Default Setting

Disabled

Command Mode

Global Configuration

Command Usage

- This switch provides more efficient throughput for large sequential data transfers by supporting layer 2 jumbo frames on Gigabit and 10 Gigabit Ethernet ports or trunks up to 10240 bytes. Compared to standard Ethernet frames that run only up to 1.5 KB, using jumbo frames significantly reduces the per-packet overhead required to process protocol encapsulation fields.
- To use jumbo frames, both the source and destination end nodes (such as a computer or server) must support this feature. Also, when the connection is operating at full duplex, all switches in the network between the two end nodes must be able to accept the extended frame size. And for half-duplex connections, all devices in the collision domain would need to support jumbo frames.
- The current setting for jumbo frames can be displayed with the `show system` command.

Example

```
Console(config)#jumbo frame
Console(config)#
```

File Management

Managing Firmware

Firmware can be uploaded and downloaded to or from an FTP/TFTP server. By saving runtime code to a file on an FTP/FTPS/SFTP/TFTP server, that file can later be downloaded to the switch to restore operation. The switch can also be set to use new firmware without overwriting the previous version.

When downloading runtime code, the destination file name can be specified to replace the current image, or the file can be first downloaded using a different name from the current runtime code file, and then the new file set as the startup file.

Saving or Restoring Configuration Settings

Configuration settings can be uploaded and downloaded to and from an FTP/FTPS/SFTP/TFTP server. The configuration file can be later downloaded to restore switch settings.

The configuration file can be downloaded under a new file name and then set as the startup file, or the current startup configuration file can be specified as the destination file to directly replace it. Note that the file "Factory_Default_Config.cfg" can be copied to the FTP/FTPS/SFTP/TFTP server, but cannot be used as the destination on the switch.

Table 14: Flash/File Commands

Command	Function	Mode
<i>General Commands</i>		
<code>boot system</code>	Specifies the file or image used to start up the system	GC
<code>copy</code>	Copies a code image or a switch configuration to or from flash memory or an FTP/SFTP/TFTP server	PE
<code>delete</code>	Deletes a file or code image	PE
<code>dir</code>	Displays a list of files in flash memory	PE
<code>umount</code>	Unmount a removable USB device.	PE
<code>whichboot</code>	Displays the files booted	PE
<i>Automatic Code Upgrade Commands</i>		
<code>upgrade opcode auto</code>	Automatically upgrades the current image when a new version is detected on the indicated server	GC
<code>upgrade opcode path</code>	Specifies an FTP/SFTP/TFTP server and directory in which the new opcode is stored	GC
<code>upgrade opcode reload</code>	Reloads the switch automatically after the opcode upgrade is completed	GC
<code>show upgrade</code>	Shows the opcode upgrade configuration settings.	PE

Table 14: Flash/File Commands (Continued)

Command	Function	Mode
<i>TFTP Configuration Commands</i>		
<code>ip tftp retry</code>	Specifies the number of times the switch can retry transmitting a request to a TFTP server	GC
<code>ip tftp timeout</code>	Specifies the time the switch can wait for a response from a TFTP server before retransmitting a request or timing out for the last retry	GC
<code>show ip tftp</code>	Displays information about TFTP settings	PE

General Commands

boot system This command specifies the file or image used to start up the system.

Syntax

`boot system {boot-rom | config | opcode}: filename`

boot-rom* - Boot ROM.

config* - Configuration file.

opcode* - Run-time operation code.

filename - Name of configuration file or code image.

* The colon (:) is required.

Default Setting

None

Command Mode

Global Configuration

Command Usage

- A colon (:) is required after the specified file type.
- If the file contains an error, it cannot be set as the default file.

Example

```
Console(config)#boot system config: startup
Console(config)#
```

copy This command moves (upload/download) a code image or configuration file between the switch's flash memory and an FTP/FTPS/SFTP/TFTP server. When you save the system code or configuration settings to a file on an FTP/FTPS/SFTP/TFTP server, that file can later be downloaded to the switch to restore system operation. The success of the file transfer depends on the accessibility of the FTP/FTPS/SFTP/TFTP server and the quality of the network connection.

Syntax

```
copy file {file | ftp | ftps | log | running-config | sftp | startup-config | tftp | unit | usbdisk}
```

```
copy ftp {add-to-running-config | file | public-key | running-config | startup-config}
```

```
copy running-config {file | ftp | ftps | sftp | startup-config | tftp}
```

```
copy startup-config {file | ftp | ftps | running-config | sftp | tftp}
```

```
copy tftp {add-to-running-config | file | https-certificate | public-key | running-config | startup-config}
```

```
copy log {ftp | sftp | tftp}
```

add-to-running-config - Keyword that adds the settings listed in the specified file to the running configuration.

file - Keyword that allows you to copy to/from a file.

ftp - Keyword that allows you to copy to/from an FTP server.

ftps - Keyword that allows you to copy to/from an FTPS server.

https-certificate - Keyword that allows you to copy the HTTPS secure site certificate.

public-key - Keyword that allows you to copy a SSH key from a TFTP server. (See "Secure Shell" on page 211.)

running-config - Keyword that allows you to copy to/from the current running configuration.

log - Keyword that copies a log file to an FTP/SFTP/TFTP server.

sftp - Keyword that copies a file to or from an SFTP server.

startup-config - The configuration used for system initialization.

tftp - Keyword that allows you to copy to/from a TFTP server.

unit - Keyword that copies a file to/from a device unit.

usbdisk - Keyword that copies a file to/from a USB device.

Default Setting

None

Command Mode

Privileged Exec

Command Usage

- The system prompts for data required to complete the copy command.
- The destination file name should not contain slashes (\ or /), and the maximum length for file names is 32 characters for files on the switch or 127 characters for files on the server. (Valid characters: A-Z, a-z, 0-9, ".", "-")
- The switch supports only two operation code files, but the maximum number of user-defined configuration files is 16.
- Downloaded operation code files may not be saved by the system if the code is not compatible with the hardware, or if there is an incompatibility with the function profile license.
- You can use "Factory_Default_Config.cfg" as the source to copy from the factory default configuration file, but you cannot use it as the destination.
- To replace the startup configuration, you must use **startup-config** as the destination.
- The Boot ROM and Loader cannot be uploaded or downloaded from the FTP/FTPS/SFTP/TFTP server. You must follow the instructions in the release notes for new firmware, or contact your distributor for help.
- For information on specifying an https-certificate, see "Replacing the Default Secure-site Certificate" in the *Web Management Guide*. For information on configuring the switch to use HTTPS for a secure connection, see the [ip http secure-server](#) command.
- When logging into an FTP server, the interface prompts for a user name and password configured on the remote server. Note that "anonymous" is set as the default user name.
- When logging into a remote SFTP/FTPS server, the interface prompts for a user name and password configured on the remote server. If this is a first time connection, the system checks to see if the public key offered by the server matches one stored locally. If not, the server's public key will be copied to the local system.
- Secure Shell FTP (SFTP) provides a method of transferring files between two network devices over an SSH2-secured connection. SFTP functions similar to Secure Copy (SCP), using SSH for user authentication and data encryption.

Although the underlying premises of SFTP are similar to SCP, it requires some additional steps to verify the protocol versions and perform security checks. SFTP connection setup includes verification of the DSS signature, creation of session keys, creation of client-server and server-client ciphers, SSH key exchange, and user authentication. An SFTP channel is then opened, the SFTP protocol version compatibility verified, and SFTP finally initialized.

- The reload command will not be accepted during copy operations to flash memory.

Example

The following example shows how to download new firmware from a TFTP server:

```
Console#copy tftp file
TFTP server ip address: 10.1.0.19
Choose file type:
  1. config:  2. opcode: 2
Source file name: m360.bix
Destination file name: m360.bix
\Write to FLASH Programming.
-Write to FLASH finish.
Success.
Console#
```

The following example shows how to upload the configuration settings to a file on the TFTP server:

```
Console#copy file tftp
Choose file type:
  1. config:  2. opcode: 1
Source file name: startup
TFTP server ip address: 10.1.0.99
Destination file name: startup.01
TFTP completed.
Success.

Console#
```

The following example shows how to copy the running configuration to a startup file.

```
Console#copy running-config file
destination file name: startup
Write to FLASH Programming.
\Write to FLASH finish.
Success.

Console#
```

The following example shows how to download a configuration file:

```
Console#copy tftp startup-config
TFTP server ip address: 10.1.0.99
Source configuration file name: startup.01
Startup configuration file name [startup]:
Write to FLASH Programming.

\Write to FLASH finish.
Success.

Console#
```

This example shows how to copy a secure-site certificate from an TFTP server. It then reboots the switch to activate the certificate:

```

Console#copy tftp https-certificate
TFTP server ip address: 10.1.0.19
Source certificate file name: SS-certificate
Source private file name: SS-private
Private password: *****

Success.
Console#reload
System will be restarted, continue <y/n>? y

```

This example shows how to copy a public-key used by SSH from an TFTP server. Note that public key authentication via SSH is only supported for users configured locally on the switch.

```

Console#copy tftp public-key
TFTP server IP address: 192.168.1.19
Source public-key file name: steve.pub
Username: steve
TFTP Download
Success.
Write to FLASH Programming.
Success.

Console#

```

This example shows how to copy a file to an FTP server.

```

Console#copy ftp file
FTP server IP address: 169.254.1.11
User[anonymous]: admin
Password[]: ****
Choose file type:
  1. config:  2. opcode: 2
Source file name: BLANC.BIX
Destination file name: BLANC.BIX
Console#

```

This example shows how to copy a file from an SFTP server. Note that the public key offered by the server is not found on the local system, but is saved locally after the user selects to continue the copy operation.

```

Console#copy sftp file
SFTP server IP address: 192.168.0.110
Choose file type:
  1. config:  2. opcode: 1
Source file name: startup2.cfg
Destination file name: startup2.cfg
Login User Name: admin
Login User Password:
Press 'y' to allow connect to new sftp server,
and 'N' to deny connect to new sftp server: y

```

```
Success.  
Console#
```

delete This command deletes a file or image.

Syntax

delete {**file name** *filename* | **https-certificate** | **public-key** *username*}

file - Keyword that allows you to delete a file.

name - Keyword indicating a file.

filename - Name of configuration file or code image.

https-certificate - Keyword that allows you to delete the HTTPS secure site certificate. You must reboot the switch to load the default certificate.

public-key - Keyword that allows you to delete a SSH key on the switch. (See “Secure Shell” on page 211.)

username – Name of an SSH user. (Range: 1-8 characters)

Default Setting

None

Command Mode

Privileged Exec

Command Usage

- If the file type is used for system startup, then this file cannot be deleted.
- “Factory_Default_Config.cfg” cannot be deleted.

Example

This example shows how to delete the test2.cfg configuration file from flash memory.

```
Console#delete file name test2.cfg  
Console#
```

dir This command displays a list of files in flash memory.

Syntax

dir [*unit*]: {**config** | **opcode** | **usbdisk**}: [*filename*]

unit - Unit identifier. (Range: 1)

config - Switch configuration file.

opcode - Run-time operation code image file.

usbdisk - Installed USB device file.

filename - Name of configuration file or code image. If this file exists but contains errors, information on this file cannot be shown.

Default Setting

None

Command Mode

Privileged Exec

Command Usage

If you enter the command **dir** without any parameters, the system displays all files.

File information is shown below:

Table 15: File Directory Information

Column Heading	Description
File Name	The name of the file.
File Type	File types: Operation Code, and Config file.
Startup	Shows if this file is used when the system is started.
Modify Time	The date and time the file was last modified.
Size	The length of the file in bytes.

Example

The following example shows how to display all file information:

```

Console#dir
File Name                               Type   Startup Modified Time          Size (bytes)
-----
Unit 1:
ECS5550_V1.1.2.243.bix                   OpCode N      2024-07-16 07:33:47    39,400,747
ECS5550_V1.1.3.243.bix                   OpCode Y      2024-07-15 13:21:27    39,401,799
Factory_Default_Config.cfg               Config N      2024-07-11 08:22:53         390
startupl.cfg                             Config Y      2024-07-15 13:23:22       2,212
test.cfg                                  Config N      2024-07-11 08:45:36       2,684
-----
Free space for compressed user config files: 2,543,143,936
Total space: 3,082,760,192

Console#

```

umount This command unmounts a removable USB device.

Syntax

umount usbdisk

Command Mode

Privileged Exec

Example

```
#umount usbdisk  
Console#
```

whichboot This command displays which files were booted when the system powered up.

Syntax

whichboot

Default Setting

None

Command Mode

Privileged Exec

Example

This example shows the information displayed by the **whichboot** command. See the table under the **dir** command for a description of the file information displayed by this command.

```
Console#whichboot  
File Name                               Type   Startup Modified Time          Size (bytes)  
-----  
Unit 1:  
ECS5550_v1.1.3.243.bix                  OpCode Y      2024-07-15 13:21:27      39,401,799  
startup1.cfg                            Config Y      2024-07-15 13:23:22         2,212  
Console#
```

Automatic Code Upgrade Commands

upgrade opcode auto This command automatically upgrades the current operational code when a new version is detected on the server indicated by the [upgrade opcode path](#) command. Use the **no** form of this command to restore the default setting.

Syntax

[no] **upgrade opcode auto**

Default Setting

Disabled

Command Mode

Global Configuration

Command Usage

- This command is used to enable or disable automatic upgrade of the operational code. When the switch starts up and automatic image upgrade is enabled by this command, the switch will follow these steps when it boots up:
 1. It will search for a new version of the image at the location specified by `upgrade opcode path` command. The name for the new image stored on the TFTP server must be ECS5550.bix. If the switch detects a code version newer than the one currently in use, it will download the new image. If two code images are already stored in the switch, the image not set to start up the system will be overwritten by the new version.
 2. After the image has been downloaded, the switch will send a trap message to log whether or not the upgrade operation was successful.
 3. It sets the new version as the startup image.
 4. It then restarts the system to start using the new image.
- Any changes made to the default setting can be displayed with the `show running-config` or `show startup-config` commands.

Example

```
Console(config)#upgrade opcode auto
Console(config)#upgrade opcode path tftp://192.168.0.1/sm24/
Console(config)#
```

If a new image is found at the specified location, the following type of messages will be displayed during bootup.

```
.
.
.
Automatic Upgrade is looking for a new image
New image detected: current version 1.1.1.0; new version 1.1.1.2
Image upgrade in progress
The switch will restart after upgrade succeeds
Downloading new image
Flash programming started
Flash programming completed
The switch will now restart
.
.
.
```

upgrade opcode path This command specifies an TFTP/FTP server and directory in which the new opcode is stored. Use the **no** form of this command to clear the current setting.

Syntax

upgrade opcode path *opcode-dir-url*

no upgrade opcode path

opcode-dir-url - The location of the new code.

Default Setting

None

Command Mode

Global Configuration

Command Usage

- This command is used in conjunction with the **upgrade opcode auto** command to facilitate automatic upgrade of new operational code stored at the location indicated by this command.
- The name for the new image stored on the TFTP/FTP server must be ECS5550.bix. However, note that file name is not to be included in this command.
- FTP (port 21) and TFTP (port 69) are both supported. Note that the TCP/UDP port bindings cannot be modified to support servers listening on non-standard ports.
- When specifying a TFTP server, the following syntax must be used, where *filedir* indicates the path to the directory containing the new image:

```
tftp://192.168.0.1[/filedir]/
```
- When specifying an FTP server, the following syntax must be used, where *filedir* indicates the path to the directory containing the new image:

```
ftp://[username[:password@]]192.168.0.1[/filedir]/
```

If the user name is omitted, "anonymous" will be used for the connection. If the password is omitted a null string ("") will be used for the connection.
- The host portion of the upgrade file location URL must be a valid IPv4 IP address. DNS host names are not recognized. Valid IP addresses consist of four numbers, 0 to 255, separated by periods.
- The path to the directory must also be defined. If the file is stored in the root directory for the FTP/TFTP service, then use the "/" to indicate this (e.g., ftp://192.168.0.1/).

- The FTP connection is made with PASV mode enabled. PASV mode is needed to traverse some fire walls, even if FTP traffic is not blocked. PASV mode cannot be disabled.
- The file name must not be included in the upgrade file location URL. The file name of the code stored on the remote server must be ECS5550.bix (using lower case letters as indicated).
- The switch-based search function is case-insensitive in that it will accept a file name in upper or lower case. However, keep in mind that the file systems of many operating systems are case-sensitive, meaning that requested file names must match exactly. Check the documentation for your server's operating system if you are unsure of its file system's behavior.
- Note that the switch itself does not distinguish between upper and lower-case file names, and only checks to see if the file stored on the server is more recent than the current runtime image.
- If two operation code image files are already stored on the switch's file system, then the non-startup image is deleted before the upgrade image is transferred.
- The automatic upgrade process will take place in the background without impeding normal operations (data switching, etc.) of the switch.
- During the automatic search and transfer process, the administrator cannot transfer or update another operation code image, configuration file, public key, or HTTPS certificate (i.e., no other concurrent file management operations are possible).
- The upgrade operation code image is set as the startup image after it has been successfully written to the file system.
- The switch will send an SNMP trap and make a log entry upon all upgrade successes and failures.
- The switch will immediately restart after the upgrade file is successfully written to the file system and set as the startup image.

Example

This shows how to specify a TFTP server where new code is stored.

```
Console(config)#upgrade opcode path tftp://192.168.0.1/sm24/  
Console(config)#
```

This shows how to specify an FTP server where new code is stored.

```
Console(config)#upgrade opcode path ftp://admin:billy@192.168.0.1/sm24/  
Console(config)#
```

upgrade opcode reload This command reloads the switch automatically after the opcode upgrade is completed. Use the **no** form to disable this feature.

Syntax

```
[no] upgrade opcode reload
```

Default Setting

Disabled

Command Mode

Global Configuration

Example

This shows how to specify a TFTP server where new code is stored.

```
Console(config)#upgrade opcode reload  
Console(config)#
```

show upgrade This command shows the opcode upgrade configuration settings.

Command Mode

Privileged Exec

Example

```
Console#show upgrade  
Auto Image Upgrade Global Settings:  
  Status      : Disabled  
  Reload Status : Disabled  
  Path        :  
  File Name   : ECS5550.bix  
Console#
```

TFTP Configuration Commands

ip tftp retry This command specifies the number of times the switch can retry transmitting a request to a TFTP server after waiting for the configured timeout period and receiving no response. Use the **no** form to restore the default setting.

Syntax

```
ip tftp retry retries
```

```
no ip tftp retry
```

retries - The number of times the switch can resend a request to a TFTP server before it aborts the connection. (Range: 1-16)

Default Setting

15

Command Mode

Global Configuration

Example

```
Console(config)#ip tftp retry 10  
Console(config)#
```

ip tftp timeout This command specifies the time the switch can wait for a response from a TFTP server before retransmitting a request or timing out for the last retry. Use the **no** form to restore the default setting.

Syntax

ip tftp timeout *seconds*

no ip tftp timeout

seconds - The the time the switch can wait for a response from a TFTP server before retransmitting a request or timing out. (Range: 1-65535 seconds)

Default Setting

5 seconds

Command Mode

Global Configuration

Example

```
Console(config)#ip tftp timeout 10  
Console(config)#
```

show ip tftp This command displays information about the TFTP settings configured on this switch.

Syntax

show ip tftp

Command Mode

Privileged Exec

Example

```

Console#show ip tftp
TFTP Settings:
  Retries : 15
  Timeout : 5 seconds
Console#

```

Line

You can access the onboard configuration program by attaching a VT100 compatible device to the server's serial port. These commands are used to set communication parameters for the serial port or Telnet (i.e., a virtual terminal).

Table 16: Line Commands

Command	Function	Mode
line	Identifies a specific line for configuration and starts the line configuration mode	GC
accounting commands	Applies an accounting method to commands entered at specific CLI privilege levels	LC
accounting exec	Applies an accounting method to local console, Telnet or SSH connections	LC
authorization commands	Applies an authorization method to commands entered at specific CLI privilege levels	LC
authorization exec	Applies an authorization method to local console, Telnet or SSH connections	LC
databits*	Sets the number of data bits per character that are interpreted and generated by hardware	LC
exec-timeout	Sets the interval that the command interpreter waits until user input is detected	LC
login	Enables password checking at login	LC
parity*	Defines the generation of a parity bit	LC
password	Specifies a password on a line	LC
password-thresh	Sets the password intrusion threshold, which limits the number of failed logon attempts	LC
silent-time*	Sets the amount of time the management console is inaccessible after the number of unsuccessful logon attempts exceeds the threshold set by the password-thresh command	LC
speed*	Sets the terminal baud rate	LC
stopbits*	Sets the number of the stop bits transmitted per byte	LC
timeout login response	Sets the interval that the system waits for a login attempt	LC
disconnect	Terminates a line connection	PE

Table 16: Line Commands (Continued)

Command	Function	Mode
<code>terminal</code>	Configures terminal settings, including escape-character, line length, terminal type, and width	PE
<code>show line</code>	Displays a terminal line's parameters	NE, PE

* These commands only apply to the serial port.

line This command identifies a specific line for configuration, and to process subsequent line configuration commands.

Syntax

`line {console | vty}`

console - Console terminal line.

vty - Virtual terminal for remote console access (i.e., Telnet).

Default Setting

There is no default line.

Command Mode

Global Configuration

Command Usage

Telnet is considered a virtual terminal connection and will be shown as “VTY” in screen displays such as `show users`. However, the serial communication parameters (e.g., databits) do not affect Telnet connections.

Example

To enter console line mode, enter the following command:

```
Console(config)#line console
Console(config-line)#
```

databits This command sets the number of data bits per character that are interpreted and generated by the console port. Use the **no** form to restore the default value.

Syntax

`databits {7 | 8}`

no databits

7 - Seven data bits per character.

8 - Eight data bits per character.

Default Setting

8 data bits per character

Command Mode

Line Configuration

Command Usage

The **databits** command can be used to mask the high bit on input from devices that generate 7 data bits with parity. If parity is being generated, specify 7 data bits per character. If no parity is required, specify 8 data bits per character.

Example

To specify 7 data bits, enter this command:

```
Console(config-line-console)#databits 7  
Console(config-line-console)#
```

exec-timeout This command sets the interval that the system waits until user input is detected. Use the **no** form to restore the default.

Syntax

exec-timeout [*seconds*]

no exec-timeout

seconds - Integer that specifies the timeout interval.
(Range: 60 - 65535 seconds; 0: no timeout)

Default Setting

10 minutes

Command Mode

Line Configuration

Command Usage

- If user input is detected within the timeout interval, the session is kept open; otherwise the session is terminated.
- This command applies to both the local console and Telnet connections.
- The timeout for Telnet cannot be disabled.
- Using the command without specifying a timeout restores the default setting.

Example

To set the timeout to two minutes, enter this command:

```
Console(config-line-console)#exec-timeout 120
Console(config-line-console)#
```

login This command enables password checking at login. Use the **no** form to disable password checking and allow connections without a password.

Syntax

login [**local**]

no login

local - Selects local password checking. Authentication is based on the user name specified with the **username** command.

Default Setting

login local

Command Mode

Line Configuration

Command Usage

- There are three authentication modes provided by the switch itself at login:
 - **login** selects authentication by a single global password as specified by the **password** line configuration command. When using this method, the management interface starts in Normal Exec (NE) mode.
 - **login local** selects authentication via the user name and password specified by the **username** command (i.e., default setting). When using this method, the management interface starts in Normal Exec (NE) or Privileged Exec (PE) mode, depending on the user's privilege level (0 or 15 respectively).
 - **no login** selects no authentication. When using this method, the management interface starts in Normal Exec (NE) mode.
- This command controls login authentication via the switch itself. To configure user names and passwords for remote authentication servers, you must use the RADIUS or TACACS software installed on those servers.

Example

```
Console(config-line-console)#login local
Console(config-line-console)#
```

parity This command defines the generation of a parity bit. Use the **no** form to restore the default setting.

Syntax

parity {**none** | **even** | **odd**}

no parity

none - No parity

even - Even parity

odd - Odd parity

Default Setting

No parity

Command Mode

Line Configuration

Command Usage

Communication protocols provided by devices such as terminals and modems often require a specific parity bit setting.

Example

To specify no parity, enter this command:

```
Console(config-line-console)#parity none
Console(config-line-console)#
```

password This command specifies the password for a line. Use the **no** form to remove the password.

Syntax

password {**0** | **7**} *password*

no password

{**0** | **7**} - 0 means plain password, 7 means encrypted password

password - Character string that specifies the line password.

(Maximum length: 32 characters plain text or encrypted, case sensitive)

Default Setting

No password is specified.

Command Mode

Line Configuration

Command Usage

- When a connection is started on a line with password protection, the system prompts for the password. If you enter the correct password, the system shows a prompt. You can use the [password-thresh](#) command to set the number of times a user can enter an incorrect password before the system terminates the line connection and returns the terminal to the idle state.
- The encrypted password is required for compatibility with legacy password settings (i.e., plain text or encrypted) when reading the configuration file from an FTP/SFTP server during system bootup. There is no need for you to manually configure encrypted passwords.

Example

```
Console(config-line-console)#password 0 secret
Console(config-line-console)#
```

password-thresh This command sets the password intrusion threshold which limits the number of failed logon attempts. Use the **no** form to remove the threshold value.

Syntax

password-thresh [*threshold*]

no password-thresh

threshold - The number of allowed password attempts.
(Range: 1-120; 0: no threshold)

Default Setting

The default value is three attempts.

Command Mode

Line Configuration

Command Usage

When the logon attempt threshold is reached, the system interface becomes silent for a specified amount of time before allowing the next logon attempt. (Use the [silent-time](#) command to set this interval.) When this threshold is reached for Telnet, the Telnet logon interface shuts down.

Example

To set the password threshold to five attempts, enter this command:

```
Console(config-line-console)#password-thresh 5
Console(config-line-console)#
```

silent-time This command sets the amount of time the management console is inaccessible after the number of unsuccessful logon attempts exceeds the threshold set by the [password-thresh](#) command. Use the **no** form to remove the silent time value.

Syntax

silent-time [*seconds*]

no silent-time

seconds - The number of seconds to disable console response.
(Range: 1-65535; 0 means disabled)

Default Setting

Disabled

Command Mode

Line Configuration

Example

To set the silent time to 60 seconds, enter this command:

```
Console(config-line-console)#silent-time 60
Console(config-line-console)#
```

speed This command sets the terminal line's baud rate. This command sets both the transmit (to terminal) and receive (from terminal) speeds. Use the **no** form to restore the default setting.

Syntax

speed *bps*

no speed

bps - Baud rate in bits per second.
(Options: 9600, 19200, 38400, 57600, 115200 bps)

Default Setting

115200 bps

Command Mode

Line Configuration

Command Usage

Set the speed to match the baud rate of the device connected to the serial port. Some baud rates available on devices connected to the port might not be supported. The system indicates if the speed you selected is not supported.

Example

To specify 57600 bps, enter this command:

```
Console(config-line-console)#speed 57600
Console(config-line-console)#
```

stopbits This command sets the number of the stop bits transmitted per byte. Use the **no** form to restore the default setting.

Syntax

stopbits {1 | 2}

no stopbits

1 - One stop bit

2 - Two stop bits

Default Setting

1 stop bit

Command Mode

Line Configuration

Example

To specify 2 stop bits, enter this command:

```
Console(config-line-console)#stopbits 2
Console(config-line-console)#
```

timeout login response This command sets the interval that the system waits for a user to log into the CLI. Use the **no** form to restore the default setting.

Syntax

timeout login response [seconds]

no timeout login response

seconds - Integer that specifies the timeout interval.
(Range: 10 - 300 seconds)

Default Setting

300 seconds

Command Mode

Line Configuration

Command Usage

- If a login attempt is not detected within the timeout interval, the connection is terminated for the session.
- This command applies to both the local console and Telnet connections.
- The timeout for Telnet cannot be disabled.
- Using the command without specifying a timeout restores the default setting.

Example

To set the timeout to two minutes, enter this command:

```
Console(config-line)#timeout login response 120
Console(config-line)#
```

disconnect This command terminates an SSH, Telnet, or console connection.

Syntax

disconnect *session-id*

session-id – The session identifier for an SSH, Telnet or console connection.
(Range: 0-8)

Command Mode

Privileged Exec

Command Usage

Specifying session identifier “0” will disconnect the console connection. Specifying any other identifiers for an active session will disconnect an SSH or Telnet connection.

Example

```
Console#disconnect 1
Console#
```

terminal This command configures terminal settings, including escape-character, lines displayed, terminal type, width, and command history. Use the **no** form with the appropriate keyword to restore the default setting.

Syntax

terminal {**escape-character** {ASCII-number | *character*} | **history** [**size** *size*] | **length** *length* | **terminal-type** {ansi-bbs | vt-100 | vt-102} | **width** *width*}

escape-character - The keyboard character used to escape from current line input.

ASCII-number - ASCII decimal equivalent. (Range: 0-255)

character - Any valid keyboard character.

history - The number of lines stored in the command buffer, and recalled using the arrow keys. (Range: 0-256)

length - The number of lines displayed on the screen. (Range: 24-200, where 0 means not to pause)

terminal-type - The type of terminal emulation used.

ansi-bbs - ANSI-BBS

vt-100 - VT-100

vt-102 - VT-102

width - The number of character columns displayed on the terminal. (Range: 80-300)

Default Setting

Escape Character: 27 (ASCII-number)

History: 10

Length: 24

Terminal Type: VT100

Width: 80

Command Mode

Privileged Exec

Example

This example sets the number of lines displayed by commands with lengthy output such as [show running-config](#) to 48 lines.

```
Console#terminal length 48
Console#
```

show line This command displays the terminal line's parameters.

Syntax

show line [**console** | **vt**]

console - Console terminal line.

vt - Virtual terminal for remote console access (i.e., Telnet).

Default Setting

Shows all lines

Command Mode

Normal Exec, Privileged Exec

Example

To show all lines, enter this command:

```
Console#show line
Terminal Configuration for this session:
Length           : 24
Width            : 80
History Size     : 10
Escape Character (ASCII-number) : 27
Terminal Type    : VT100

Console Configuration:
Password Threshold : 3 times
EXEC Timeout       : 600 seconds
Login Timeout      : 300 seconds
Silent Time        : Disabled
Baud Rate          : 115200
Data Bits          : 8
Parity             : None
Stop Bits          : 1

VTY Configuration:
Password Threshold : 3 times
EXEC Timeout       : 600 seconds
Login Timeout      : 300 sec.
Silent Time        : Disabled
Console#
```

Event Logging

This section describes commands used to configure event logging on the switch.

Table 17: Event Logging Commands

Command	Function	Mode
logging command	Stores CLI command execution records in syslog RAM and flash	GC
logging facility	Sets the facility type for remote logging of syslog messages	GC
logging history	Limits syslog messages saved to switch memory based on severity	GC
logging host	Adds a syslog server host IP address that will receive logging messages	GC
logging level	Sets the logging level for user login and log out	GC
logging on	Controls logging of error messages	GC
logging trap	Limits syslog messages saved to a remote server based on severity	GC
logging print-screen	Sends all system log messages to the console	GC

Table 17: Event Logging Commands (Continued)

Command	Function	Mode
<code>clear log</code>	Clears messages from the logging buffer	PE
<code>show log</code>	Displays log messages	PE
<code>show logging</code>	Displays the state of logging	PE
<code>show logging command</code>	Displays the logging command settings	PE

logging command This command stores CLI command execution records in syslog RAM and flash. Use the **no** form to disable this feature.

Syntax

`[no] logging command`

Default Setting

Disabled

Command Mode

Global Configuration

Command Usage

The records stored include the commands executed from the CLI, command execution time and information about the CLI user including user name, user interface (console, Telnet, SSH) and user IP address. The severity level for this record type is 6 (see the `logging facility` command).

Example

```
Console(config)#logging command
Console(config)#
```

logging facility This command sets the facility type for remote logging of syslog messages. Use the **no** form to return the type to the default.

Syntax

`logging facility type`

`no logging facility`

type - A number that indicates the facility used by the syslog server to dispatch log messages to an appropriate service. (Range: 16-23)

Default Setting

23

Command Mode

Global Configuration

Command Usage

The command specifies the facility type tag sent in syslog messages. (See RFC 3164.) This type has no effect on the kind of messages reported by the switch. However, it may be used by the syslog server to sort messages or to store messages in the corresponding database.

Example

```
Console(config)#logging facility 19  
Console(config)#
```

logging history This command limits syslog messages saved to switch memory based on severity. The **no** form returns the logging of syslog messages to the default level.

Syntax

logging history {flash | ram} level

no logging history {flash | ram}

flash - Event history stored in flash memory (i.e., permanent memory).

ram - Event history stored in temporary RAM (i.e., memory flushed on power reset).

level - One of the levels listed below. Messages sent include the selected level down to level 0. (Range: 0-7)

Table 18: Logging Levels

Level	Severity Name	Description
7	debugging	Debugging messages
6	informational	Informational messages only
5	notifications	Normal but significant condition, such as cold start
4	warnings	Warning conditions (e.g., return false, unexpected return)
3	errors	Error conditions (e.g., invalid input, default used)
2	critical	Critical conditions (e.g., memory allocation, or free memory error - resource exhausted)
1	alerts	Immediate action needed
0	emergencies	System unusable

Default Setting

Flash: errors (level 3 - 0)

RAM: debugging (level 7 - 0)

Command Mode

Global Configuration

Command Usage

The message level specified for flash memory must be a higher priority (i.e., numerically lower) than that specified for RAM.

Example

```
Console(config)#logging history ram 0  
Console(config)#
```

logging host This command adds a syslog server host IP address that will receive logging messages. Use the **no** form to remove a syslog server host.

Syntax

logging host *host-ip-address* [**port** *udp-port*]

no logging host *host-ip-address*

host-ip-address - The IPv4 or IPv6 address of a syslog server.

udp-port - UDP port number used by the remote server. (Range: 1-65535)

Default Setting

UPD Port: 514

Command Mode

Global Configuration

Command Usage

- Use this command more than once to build up a list of host IP addresses.
- The maximum number of host IP addresses allowed is five.

Example

```
Console(config)#logging host 10.1.0.3  
Console(config)#
```

logging level This command sets the syslog logging severity level for user login and log out. Use the **no** form to set the logging level to the default value.

Syntax

logging level {*user-login level* | *user-logout level*}

no logging level {*user-login* | *user-logout*}

user-login - Specifies the level to log when a user logs in.

user-logout - Specifies the level to log when a user logs out.

level - The syslog severity level to log (Range: 1-7)

Default Setting

6

Command Mode

Global Configuration

Command Usage

Logging severity levels are described in [Table 18](#).

Example

```
Console(config)#logging level user-login 5  
Console(config)#
```

logging on This command controls logging of error messages, sending debug or error messages to a logging process. The **no** form disables the logging process.

Syntax

[no] logging on

Default Setting

None

Command Mode

Global Configuration

Command Usage

The logging process controls error messages saved to switch memory or sent to remote syslog servers. You can use the [logging history](#) command to control the type of error messages that are stored in memory. You can use the [logging trap](#) command to control the type of error messages that are sent to specified syslog servers.

Example

```
Console(config)#logging on  
Console(config)#
```

logging trap This command enables the logging of system messages to a remote server, or limits the syslog messages saved to a remote server based on severity. Use this command without a specified level to enable remote logging. Use the **no** form to disable remote logging.

Syntax

logging trap [*level level*]

no logging trap [*level*]

level - One of the syslog severity levels listed in the table on [page 106](#). Messages sent include the selected level through level 0.

Default Setting

Disabled
Level 7

Command Mode

Global Configuration

Command Usage

- Using this command with a specified level enables remote logging and sets the minimum severity level to be saved.
- Using this command without a specified level also enables remote logging, but restores the minimum severity level to the default.

Example

```
Console(config)#logging trap level 4  
Console(config)#
```

logging print-screen This command enables the logging of all system messages to the console. Use the **no** form to disable the feature.

Syntax

[*no*] **logging print-screen**

Default Setting

Disabled

Command Mode

Global Configuration

Command Usage

Use this command to print all system log messages saved to RAM directly to the console screen (includes Telnet and SSH).

Example

```
Console(config)#logging print-screen  
Console(config)#
```

clear log This command clears messages from the log buffer.

Syntax

```
clear log [flash | ram]
```

flash - Event history stored in flash memory (i.e., permanent memory).

ram - Event history stored in temporary RAM (i.e., memory flushed on power reset).

Default Setting

Flash and RAM

Command Mode

Privileged Exec

Example

```
Console#clear log  
Console#
```

show log This command displays the log messages stored in local memory.

Syntax

```
show log {flash | ram} [login | key-word]
```

flash - Event history stored in flash memory (i.e., permanent memory).

ram - Event history stored in temporary RAM (i.e., memory flushed on power reset).

login - Shows the contents of login buffers.

key-word - A keyword that can match information in the log messages.

Default Setting

None

Command Mode

Privileged Exec

Command Usage

- All log messages are retained in RAM and Flash after a warm restart (i.e., power is reset through the command interface).
- All log messages are retained in Flash and purged from RAM after a cold restart (i.e., power is turned off and then on through the power source).

Example

The following example shows the event message stored in RAM.

```
Console#show log ram
[1] 00:01:30 2001-01-01
    "VLAN 1 link-up notification."
    level: 6, module: 5, function: 1, and event no.: 1
[0] 00:01:30 2001-01-01
    "Unit 1, Port 1 link-up notification."
    level: 6, module: 5, function: 1, and event no.: 1
Console#
Console#show log ram sys
[7] 22:35:25 2022-10-13
    "System warmStart notification."
    level : 6, module : 5, function : 1, and event no. : 1
[0] 22:26:30 2022-10-13
    "System coldStart notification."
    level : 6, module : 5, function : 1, and event no. : 1
Console#
```

show logging This command displays the configuration settings for logging messages to local switch memory, to an SMTP event handler, or to a remote syslog server.

Syntax

show logging {level | flash | ram | sendmail | trap}

level - Displays logging levels for user login and log out.

flash - Displays settings for storing event messages in flash memory (i.e., permanent memory).

ram - Displays settings for storing event messages in temporary RAM (i.e., memory flushed on power reset).

sendmail - Displays settings for the SMTP event handler ([page 116](#)).

trap - Displays settings for the trap function.

Default Setting

None

Command Mode

Privileged Exec

Example

The following example shows that system logging is enabled, the message level for flash memory is “errors” (i.e., default level 3 - 0), and the message level for RAM is “debugging” (i.e., default level 7 - 0).

```
Console#show logging flash
Global Configuration:
  Syslog Logging      : Enabled
Flash Logging Configuration:
  History Logging in Flash : Level Errors (3)
Console#show logging ram
Global Configuration:
  Syslog Logging      : Enabled
Ram Logging Configuration:
  History Logging in RAM  : Level Debugging (7)
Console#
```

The following example displays settings for the trap function.

```
Console#show logging trap
Global Configuration:
  Syslog Logging      : Enabled
Remote Logging Configuration:
  Status              : Disabled
  Facility Type       : Local use 7 (23)
  Level Type          : Debugging messages (7)
Console#
```

show logging command

This command displays the logging command settings.

Syntax

show logging command

Command Mode

Privileged Exec

Example

```
Console#show logging command
Global Configuration:
  Syslog Logging      : Enabled
  Command Log Status  : Disabled
Console#
```


SMTP Alerts

These commands configure SMTP event handling, and forwarding of alert messages to the specified SMTP servers and email recipients.

Table 19: Event Logging Commands

Command	Function	Mode
<code>logging sendmail</code>	Enables SMTP event handling	GC
<code>logging sendmail destination-email</code>	Email recipients of alert messages	GC
<code>logging sendmail host</code>	SMTP servers to receive alert messages	GC
<code>logging sendmail level</code>	Severity threshold used to trigger alert messages	GC
<code>logging sendmail source-email</code>	Email address used for "From" field of alert messages	GC
<code>show logging sendmail</code>	Displays SMTP event handler settings	PE

logging sendmail This command enables SMTP event handling. Use the **no** form to disable this function.

Syntax

`[no] logging sendmail`

Default Setting

Enabled

Command Mode

Global Configuration

Example

```
Console(config)#logging sendmail
Console(config)#
```

logging sendmail destination-email This command specifies the email recipients of alert messages. Use the **no** form to remove a recipient.

Syntax

`[no] logging sendmail destination-email email-address`

email-address - The source email address used in alert messages.
(Range: 1-41 characters)

Default Setting

None

Command Mode

Global Configuration

Command Usage

You can specify up to five recipients for alert messages. However, you must enter a separate command to specify each recipient.

Example

```
Console(config)#logging sendmail destination-email ted@this-company.com  
Console(config)#
```

logging sendmail host This command specifies SMTP servers that will be sent alert messages. Use the **no** form to remove an SMTP server.

Syntax

[no] **logging sendmail host** *ip-address*

ip-address - IPv4 address of an SMTP server that will be sent alert messages for event handling.

Default Setting

None

Command Mode

Global Configuration

Command Usage

- You can specify up to three SMTP servers for event handling. However, you must enter a separate command to specify each server.
- To send email alerts, the switch first opens a connection, sends all the email alerts waiting in the queue one by one, and finally closes the connection.
- To open a connection, the switch first selects the server that successfully sent mail during the last connection, or the first server configured by this command. If it fails to send mail, the switch selects the next server in the list and tries to send mail again. If it still fails, the system will repeat the process at a periodic interval. (A trap will be triggered if the switch cannot successfully open a connection.)

Example

```
Console(config)#logging sendmail host 192.168.1.19
Console(config)#
```

logging sendmail level This command sets the severity threshold used to trigger alert messages. Use the **no** form to restore the default setting.

Syntax

logging sendmail level *level*

no logging sendmail level

level - One of the system message levels ([page 106](#)). Messages sent include the selected level down to level 0. (Range: 0-7; Default: 7)

Default Setting

Level 7

Command Mode

Global Configuration

Command Usage

The specified level indicates an event threshold. All events at this level or higher will be sent to the configured email recipients. (For example, using Level 7 will report all events from level 7 to level 0.)

Example

This example will send email alerts for system errors from level 3 through 0.

```
Console(config)#logging sendmail level 3
Console(config)#
```

logging sendmail source-email This command sets the email address used for the “From” field in alert messages. Use the **no** form to restore the default value.

Syntax

logging sendmail source-email *email-address*

no logging sendmail source-email

email-address - The source email address used in alert messages. (Range: 1-41 characters)

Default Setting

None

Command Mode

Global Configuration

Command Usage

You may use an symbolic email address that identifies the switch, or the address of an administrator responsible for the switch.

Example

```
Console(config)#logging sendmail source-email bill@this-company.com
Console(config)#
```

**show logging
sendmail**

This command displays the settings for the SMTP event handler.

Command Mode

Privileged Exec

Example

```
Console#show logging sendmail
SMTP Servers
-----
192.168.1.19

SMTP Minimum Severity Level: 7

SMTP Destination E-mail Addresses
-----
ted@this-company.com

SMTP Source E-mail Address: bill@this-company.com

SMTP Status: Enabled
Console#
```

Time

The system clock can be dynamically set by polling a set of specified time servers (NTP or SNTP). Maintaining an accurate time on the switch enables the system log to record meaningful dates and times for event entries. If the clock is not set, the switch will only record the time from the factory default set at the last bootup.

Table 20: Time Commands

Command	Function	Mode
<i>SNTP Commands</i>		
<code>sntp client</code>	Accepts time from specified time servers	GC
<code>sntp poll</code>	Sets the interval at which the client polls for time	GC

Table 20: Time Commands (Continued)

Command	Function	Mode
<code>sntp server</code>	Specifies one or more time servers	GC
<code>show sntp</code>	Shows current SNTP configuration settings	NE, PE
<i>NTP Commands</i>		
<code>ntp authenticate</code>	Enables authentication for NTP traffic	GC
<code>ntp authentication-key</code>	Configures authentication keys	GC
<code>ntp client</code>	Enables the NTP client for time updates from specified servers	GC
<code>ntp server</code>	Specifies NTP servers to poll for time updates	GC
<code>show ntp</code>	Shows current NTP configuration settings	NE, PE
<code>show ntp status</code>	Shows the status of time updates	PE
<code>show ntp statistics peer</code>	Shows statistics from an NTP peer	PE
<code>show ntp peer-status</code>	Shows the status of connections to NTP peers	PE
<i>Manual Configuration Commands</i>		
<code>clock summer-time (date)</code>	Configures summer time* for the switch's internal clock	GC
<code>clock summer-time (predefined)</code>	Configures summer time* for the switch's internal clock	GC
<code>clock summer-time (recurring)</code>	Configures summer time* for the switch's internal clock	GC
<code>clock timezone</code>	Sets the time zone for the switch's internal clock	GC
<code>calendar set</code>	Sets the system date and time	PE
<code>show calendar</code>	Displays the current date and time setting	NE, PE

* Daylight savings time.

SNTP Commands

sntp client This command enables SNTP client requests for time synchronization from NTP or SNTP time servers specified with the `sntp server` command. Use the **no** form to disable SNTP client requests.

Syntax

```
[no] sntp client
```

Default Setting

Disabled

Command Mode

Global Configuration

Command Usage

- The time acquired from time servers is used to record accurate dates and times for log events. Without SNTP, the switch only records the time starting from the factory default set at the last bootup (e.g., Dec 31 07:32:04 2014).
- This command enables client time requests to time servers specified via the `sntp server` command. It issues time synchronization requests based on the interval set via the `sntp poll` command.

Example

```
Console(config)#sntp server 10.1.0.19
Console(config)#sntp poll 60
Console(config)#sntp client
Console(config)#end
Console#show sntp
Current Time: Dec 23 02:52:44 2015
Poll Interval: 60
Current Mode: Unicast
SNTP Status : Enabled
SNTP Server 137.92.140.80 0.0.0.0 0.0.0.0
Current Server: 137.92.140.80
Console#
```

sntp poll This command sets the interval between sending time requests when the switch is set to SNTP client mode. Use the **no** form to restore to the default.

Syntax

sntp poll *seconds*

no sntp poll

seconds - Interval between time requests. (Range: 16-16384 seconds)

Default Setting

16 seconds

Command Mode

Global Configuration

Example

```
Console(config)#sntp poll 60
Console#
```

sntp server This command sets the IP address of the servers to which SNTP time requests are issued. Use the this command with no arguments to clear all time servers from the current list. Use the **no** form to clear all time servers from the current list, or to clear a specific server.

Syntax

```
sntp server [ip1 [ip2 [ip3]]]
```

```
no sntp server [ip1 [ip2 [ip3]]]
```

ip - IPv4 or IPv6 address of a time server (NTP or SNTP).
(Range: 1 - 3 addresses)

Default Setting

None

Command Mode

Global Configuration

Command Usage

This command specifies time servers from which the switch will poll for time updates when set to SNTP client mode. The client will poll the time servers in the order specified until a response is received. It issues time synchronization requests based on the interval set via the [sntp poll](#) command.

Example

```
Console(config)#sntp server 10.1.0.19  
Console#
```

show sntp This command displays the current time and configuration settings for the SNTP client, and indicates whether or not the local time has been properly updated.

Command Mode

Normal Exec, Privileged Exec

Command Usage

This command displays the current time, the poll interval used for sending time synchronization requests, and the current SNTP mode (i.e., unicast).

Example

```
Console#show sntp
Current Time   : Nov  5 18:51:22 2015
Poll Interval  : 16 seconds
Current Mode   : Unicast
SNTP Status    : Enabled
SNTP Server    : 137.92.140.80
                : 137.92.140.90
                : 137.92.140.99
Current Server : 137.92.140.80
Console#
```

NTP Commands

ntp authenticate This command enables authentication for NTP client-server communications. Use the **no** form to disable authentication.

Syntax

```
[no] ntp authenticate
```

Default Setting

Disabled

Command Mode

Global Configuration

Command Usage

You can enable NTP authentication to ensure that reliable updates are received from only authorized NTP servers. The authentication keys and their associated key number must be centrally managed and manually distributed to NTP servers and clients. The key numbers and key values must match on both the server and client.

Example

```
Console(config)#ntp authenticate
Console(config)#
```

ntp authentication-key This command configures authentication keys and key numbers to use when NTP authentication is enabled. Use the **no** form of the command to clear a specific authentication key or all keys from the current list.

Syntax

```
ntp authentication-key number md5 key
```

```
no ntp authentication-key [number]
```

number - The NTP authentication key ID number. (Range: 1-65533)

md5 - Specifies that authentication is provided by using the message digest algorithm 5.

key - An MD5 authentication key string. The key string can be up to 32 case-sensitive printable ASCII characters (no spaces).

Default Setting

None

Command Mode

Global Configuration

Command Usage

- The key number specifies a key value in the NTP authentication key list. Up to 255 keys can be configured on the switch. Re-enter this command for each server you want to configure.
- Note that NTP authentication key numbers and values must match on both the server and client.
- NTP authentication is optional. When enabled with the **ntp authenticate** command, you must also configure at least one key number using this command.
- Use the **no** form of this command without an argument to clear all authentication keys in the list.

Example

```
Console(config)#ntp authentication-key 45 md5 thisiskey45  
Console(config)#
```

ntp client This command enables NTP client requests for time synchronization from NTP time servers specified with the **ntp servers** command. Use the **no** form to disable NTP client requests.

Syntax

```
[no] ntp client
```

Default Setting

Disabled

Command Mode

Global Configuration

Command Usage

- The SNTP and NTP clients cannot be enabled at the same time. First disable the SNTP client before using this command.

- The time acquired from time servers is used to record accurate dates and times for log events. Without NTP, the switch only records the time starting from the factory default set at the last bootup (e.g., Dec 10 16:04:43 2014).
- This command enables client time requests to time servers specified via the **ntp servers** command. Once enabled the switch will issue time synchronization requests periodically.

Example

```
Console(config)#ntp client
Console(config)#
```

ntp server This command sets the IP addresses of the servers to which NTP time requests are sent to. Use the **no** form of the command to clear a specific time server or all servers from the current list.

Syntax

ntp server *ip-address* [**key** *key-number*]

no ntp server [*ip-address*]

ip-address - IPv4 or IPv6 address of an NTP time server (Range: a.b.c.d or xx:xx:xx:xx:xx).

key-number - The number of an authentication key to use in communications with the server. (Range: 1-65533)

Default Setting

No address configured - when an IP address and key is configured with this command, NTPv4 is the default.

Command Mode

Global Configuration

Command Usage

- This command specifies time servers that the switch will poll for time updates when set to NTP client mode. The client will poll all the time servers configured, the responses received are filtered and compared to determine the most reliable and accurate time update for the switch.
- You can configure up to 3 NTP servers on the switch. Re-enter this command for each server you want to configure.
- NTP authentication is optional. If enabled with the **ntp authenticate** command, you must also configure at least one key number using the **ntp authentication-key** command.

- Use the **no** form of this command without an argument to clear all configured servers in the list.

Example

```
Console(config)#ntp server 192.168.3.20
Console(config)#ntp server 192.168.3.21
Console(config)#ntp server 192.168.5.23 key 19
Console(config)#
```

show ntp This command displays the current time and configuration settings for the NTP client, and indicates whether or not the local time has been properly updated from an NTP server.

Command Mode

Normal Exec, Privileged Exec

Command Usage

This command displays the current time, the poll interval used for sending time synchronization requests, and the current NTP mode (i.e., unicast).

Example

```
Console#show ntp
Current Time           : Apr 29 13:57:32 2015
Polling Interval      : 1024 seconds
Current Mode          : unicast
NTP Status            : Disabled
NTP Authenticate Status : Enabled
Last Update NTP Server : 0.0.0.0      Port: 0
Last Update Time      : Jan  1 00:00:00 1970 UTC
NTP Server 192.168.3.20 version 3
NTP Server 192.168.3.21 version 3
NTP Server 192.168.4.22 version 3 key 19
NTP Authentication Key 19 md5 42V68751663T6K11P2J307210R885
Console#
```

show ntp status This command displays the current status of received time updates from an NTP peer.

Command Mode

Privileged Exec

Example

```
Console#show ntp status
System Peer           : 192.168.125.88
Leap Indicator        : 11
Stratum               : 14
Precision             : 0.000001907349 seconds
Root Distance         : 0.001160 seconds
Root Dispersion       : 0.948900 seconds
```

```
Reference ID      : 192.168.125.88
Reference Time   : e0c697a3.6b04c19f  Wed, Jul  3 2019  2:55:31.418
Console#
```

show ntp statistics peer This command displays the statistics from an NTP peer.

Syntax

```
show ntp statistics peer {ip-address | ipv6-address | hostname}
```

ip-address - IP address of an NTP peer.

ipv6-address - IPv6 address of an NTP peer.

hostname - Host name of an NTP peer.

Command Mode

Privileged Exec

Example

```
Console#show ntp statistics Peer 192.168.125.88
Remote Host      : 192.168.125.88
Local Interface  : 192.168.125.138
Time Last Received : 223 seconds
Time Until Next Send : 772 seconds
Reachability Change : 229 seconds
Packets Sent     : 8
Packets Received : 8
Bad Authentication : 0
Bogus Origin     : 0
Duplicate        : 0
Bad Dispersion   : 0
Bad Reference Time : 0
Candidate Order  : 6
Console#
```

show ntp peer-status This command displays the status of connections to NTP peers.

Syntax

```
show ntp peer-status [ip-address | ipv6-address | hostname]
```

ip-address - IP address of an NTP time server.

ipv6-address - IPv6 address of an NTP time server.

hostname - Host name of an NTP time server.

Command Mode

Privileged Exec

Example

```

Console#show ntp peer-status
* : system peer
Remote Host      Local Interface St Poll  Reach Delay  Offset  Dispersion
-----
1.1.1.1          0.0.0.0         16  1024   0 0.000000  0.00000  3.99217010
192.168.1.10    0.0.0.0         16  1024   0 0.000000  0.00000  3.99217010
*192.168.125.88 192.168.125.138 13  1024   1 0.001160 -0.00011  0.96824998
Console#

```

Manual Configuration Commands

clock summer-time (date) This command sets the start, end, and offset times of summer time (daylight savings time) for the switch on a one-time basis. Use the **no** form to disable summer time.

Syntax

clock summer-time *name date b-date b-month b-year b-hour b-minute e-date e-month e-year e-hour e-minute [offset]*

no clock summer-time

name - Name of the time zone while summer time is in effect, usually an acronym. (Range: 1-30 characters)

b-date - Day of the month when summer time will begin. (Range: 1-31)

b-month - The month when summer time will begin. (Options: **january** | **february** | **march** | **april** | **may** | **june** | **july** | **august** | **september** | **october** | **november** | **december**)

b-year - The year summer time will begin.

b-hour - The hour summer time will begin. (Range: 0-23 hours)

b-minute - The minute summer time will begin. (Range: 0-59 minutes)

e-date - Day of the month when summer time will end. (Range: 1-31)

e-month - The month when summer time will end. (Options: **january** | **february** | **march** | **april** | **may** | **june** | **july** | **august** | **september** | **october** | **november** | **december**)

e-year - The year summer time will end.

e-hour - The hour summer time will end. (Range: 0-23 hours)

e-minute - The minute summer time will end. (Range: 0-59 minutes)

offset - Summer time offset from the regular time zone, in minutes. (Range: 1-120 minutes)

Default Setting

Disabled

Command Mode

Global Configuration

Command Usage

- In some countries or regions, clocks are adjusted through the summer months so that afternoons have more daylight and mornings have less. This is known as Summer Time, or Daylight Savings Time (DST). Typically, clocks are adjusted forward one hour at the start of spring and then adjusted backward in autumn.
- This command sets the summer-time time zone relative to the currently configured time zone. To specify a time corresponding to your local time when summer time is in effect, you must indicate the number of minutes your summer-time time zone deviates from your regular time zone (that is, the offset).

Example

The following example sets the 2014 Summer Time ahead by 60 minutes on March 9th and returns to normal time on November 2nd.

```
Console(config)#clock summer-time DEST date march 9 2014 01 59 november 2
2014 01 59 60
Console(config)#
```

clock summer-time (predefined) This command configures the summer time (daylight savings time) status and settings for the switch using predefined configurations for several major regions in the world. Use the **no** form to disable summer time.

Syntax

clock summer-time *name* **predefined** [**australia** | **europa** | **new-zealand** | **usa**]

no clock summer-time

name - Name of the timezone while summer time is in effect, usually an acronym. (Range: 1-30 characters)

Default Setting

Disabled

Command Mode

Global Configuration

Command Usage

- In some countries or regions, clocks are adjusted through the summer months so that afternoons have more daylight and mornings have less. This is known as Summer Time, or Daylight Savings Time (DST). Typically, clocks are adjusted forward one hour at the start of spring and then adjusted backward in autumn.

- This command sets the summer-time time relative to the configured time zone. To specify the time corresponding to your local time when summer time is in effect, select the predefined summer-time time zone appropriate for your location, or manually configure summer time if these predefined configurations do not apply to your location (see [clock summer-time \(date\)](#) or [clock summer-time \(recurring\)](#)).

Table 21: Predefined Summer-Time Parameters

Region	Start Time, Day, Week, & Month	End Time, Day, Week, & Month	Rel. Offset
Australia	00:00:00, Sunday, Week 5 of October	23:59:59, Sunday, Week 5 of March	60 min
Europe	00:00:00, Sunday, Week 5 of March	23:59:59, Sunday, Week 5 of October	60 min
New Zealand	00:00:00, Sunday, Week 1 of October	23:59:59, Sunday, Week 3 of March	60 min
USA	00:00:00, Sunday, Week 2 of March	23:59:59, Sunday, Week 1 of November	60 min

Example

The following example sets the Summer Time setting to use the predefined settings for the European region.

```
Console(config)#clock summer-time MESZ predefined europe
Console(config)#
```

clock summer-time (recurring)

This command allows the user to manually configure the start, end, and offset times of summer time (daylight savings time) for the switch on a recurring basis. Use the **no** form to disable summer-time.

Syntax

clock summer-time *name* **recurring** *b-week b-day b-month b-hour b-minute e-week e-day e-month e-hour e-minute [offset]*

no clock summer-time

name - Name of the timezone while summer time is in effect, usually an acronym. (Range: 1-30 characters)

b-week - The week of the month when summer time will begin. (Range: 1-5)

b-day - The day of the week when summer time will begin. (Options: **sunday** | **monday** | **tuesday** | **wednesday** | **thursday** | **friday** | **saturday**)

b-month - The month when summer time will begin. (Options: **january** | **february** | **march** | **april** | **may** | **june** | **july** | **august** | **september** | **october** | **november** | **december**)

b-hour - The hour when summer time will begin. (Range: 0-23 hours)

b-minute - The minute when summer time will begin. (Range: 0-59 minutes)

e-week - The week of the month when summer time will end. (Range: 1-5)

e-day - The day of the week summer time will end. (Options: **sunday** | **monday** | **tuesday** | **wednesday** | **thursday** | **friday** | **saturday**)

e-month - The month when summer time will end. (Options: **january** | **february** | **march** | **april** | **may** | **june** | **july** | **august** | **september** | **october** | **november** | **december**)

e-hour - The hour when summer time will end. (Range: 0-23 hours)

e-minute - The minute when summer time will end. (Range: 0-59 minutes)

offset - Summer-time offset from the regular time zone, in minutes. (Range: 1-120 minutes)

Default Setting

Disabled

Command Mode

Global Configuration

Command Usage

- In some countries or regions, clocks are adjusted through the summer months so that afternoons have more daylight and mornings have less. This is known as Summer Time, or Daylight Savings Time (DST). Typically, clocks are adjusted forward one hour at the start of spring and then adjusted backward in autumn.
- This command sets the summer-time time zone relative to the currently configured time zone. To display a time corresponding to your local time when summer time is in effect, you must indicate the number of minutes your summer-time time zone deviates from your regular time zone (that is, the offset).

Example

The following example sets a recurring 60 minute offset summer-time to begin on the Friday of the 1st week of March at 01:59 hours and summer time to end on the Saturday of the 2nd week of November at 01:59 hours.

```
Console(config)#clock summer-time MESZ recurring 1 friday march 01 59 3
    saturday november 1 59 60
Console(config)#
```

clock timezone This command sets the time zone for the switch's internal clock.

Syntax

```
clock timezone name hour hours minute minutes
{before-utc | after-utc}
```

name - Name of timezone, usually an acronym. (Range: 1-30 characters)

hours - Number of hours before/after UTC. (Range: 0-12 hours before UTC, 0-13 hours after UTC)

minutes - Number of minutes before/after UTC. (Range: 0-59 minutes)

before-utc - Sets the local time zone before (east) of UTC.

after-utc - Sets the local time zone after (west) of UTC.

Default Setting

None

Command Mode

Global Configuration

Command Usage

This command sets the local time zone relative to the Coordinated Universal Time (UTC, formerly Greenwich Mean Time or GMT), based on the earth's prime meridian, zero degrees longitude. To display a time corresponding to your local time, you must indicate the number of hours and minutes your time zone is east (before) or west (after) of UTC.

Example

```
Console(config)#clock timezone Japan hours 8 minute 0 after-UTC
Console(config)#
```

calendar set This command sets the system clock. It may be used if there is no time server on your network, or if you have not configured the switch to receive signals from a time server.

Syntax

```
calendar set hour min sec {day month year | month day year}
```

hour - Hour in 24-hour format. (Range: 0 - 23)

min - Minute. (Range: 0 - 59)

sec - Second. (Range: 0 - 59)

day - Day of month. (Range: 1 - 31)

month - **january** | **february** | **march** | **april** | **may** | **june** | **july** | **august** | **september** | **october** | **november** | **december**

year - Year (4-digit). (Range: 1970 - 2037)

Default Setting

None

Command Mode

Privileged Exec

Command Usage

Note that when SNTP is enabled, the system clock cannot be manually configured.

Example

This example shows how to set the system clock to 15:12:34, February 1st, 2015.

```
Console#calendar set 15 12 34 1 February 2015
Console#
```

show calendar This command displays the system clock.

Default Setting

None

Command Mode

Normal Exec, Privileged Exec

Example

```
Console#show calendar
Current Time       : May 13 14:08:18 2014
Time Zone         : UTC, 08:00
Summer Time       : Not configured
Summer Time in Effect : No
Console#
```

Time Range

This section describes the commands used to sets a time range for use by other functions, such as Access Control Lists.

Table 22: Time Range Commands

Command	Function	Mode
time-range	Specifies the name of a time range, and enters time range configuration mode	GC
absolute	Sets the absolute time range for the execution of a command	TR

Table 22: Time Range Commands (Continued)

Command	Function	Mode
<code>periodic</code>	Sets the time range for the periodic execution of a command	TR
<code>show time-range</code>	Shows configured time ranges.	PE

time-range This command specifies the name of a time range, and enters time range configuration mode. Use the **no** form to remove a previously specified time range.

Syntax

`[no] time-range name`

name - Name of the time range. (Range: 1-32 characters)

Default Setting

None

Command Mode

Global Configuration

Command Usage

- This command sets a time range for use by other functions, such as Access Control Lists.
- A maximum of eight rules can be configured for a time range.

Example

```
Console(config)#time-range r&d
Console(config-time-range)#
```

absolute This command sets the absolute time range for the execution of a command. Use the **no** form to remove a previously specified time.

Syntax

`absolute start hour minute day month year`
`[end hour minutes day month year]`

`absolute end hour minutes day month year`

`no absolute`

hour - Hour in 24-hour format. (Range: 0-23)

minute - Minute. (Range: 0-59)

day - Day of month. (Range: 1-31)

month - **january** | **february** | **march** | **april** | **may** | **june** | **july** | **august** | **september** | **october** | **november** | **december**

year - Year (4-digit). (Range: 2013-2037)

Default Setting

None

Command Mode

Time Range Configuration

Command Usage

- If a time range is already configured, you must use the **no** form of this command to remove the current entry prior to configuring a new time range.
- If both an absolute rule and one or more periodic rules are configured for the same time range (i.e., named entry), that entry will only take effect if the current time is within the absolute time range and one of the periodic time ranges.

Example

This example configures the time for the single occurrence of an event.

```
Console(config)#time-range r&d
Console(config-time-range)#absolute start 1 1 1 april 2009 end 2 1 1 april
2009
Console(config-time-range)#
```

periodic This command sets the time range for the periodic execution of a command. Use the **no** form to remove a previously specified time range.

Syntax

```
[no] periodic {daily | friday | monday | saturday | sunday | thursday |
tuesday | wednesday | weekdays | weekend} hour minute to {daily | friday |
monday | saturday | sunday | thursday | tuesday | wednesday | weekdays |
weekend | hour minute}
```

daily - Daily

friday - Friday

monday - Monday

saturday - Saturday

sunday - Sunday

thursday - Thursday

tuesday - Tuesday

wednesday - Wednesday

weekdays - Weekdays

weekend - Weekends

hour - Hour in 24-hour format. (Range: 0-23)

minute - Minute. (Range: 0-59)

Default Setting

None

Command Mode

Time Range Configuration

Command Usage

- If a time range is already configured, you must use the **no** form of this command to remove the current entry prior to configuring a new time range.
- If both an absolute rule and one or more periodic rules are configured for the same time range (i.e., named entry), that entry will only take effect if the current time is within the absolute time range and one of the periodic time ranges.

Example

This example configures a time range for the periodic occurrence of an event.

```
Console(config)#time-range sales
Console(config-time-range)#periodic daily 1 1 to 2 1
Console(config-time-range)#
```

show time-range This command shows configured time ranges.

Syntax

show time-range [*name*]

name - Name of the time range. (Range: 1-32 characters)

Default Setting

None

Command Mode

Privileged Exec

Example

```
Console#show time-range r&d
Time-range r&d:
  status: inactive
  absolute start 01:01 01 April 2015
  periodic   Daily 01:01 to   Daily 02:01
```

```
periodic Daily 02:01 to Daily 03:01  
Console#
```

Switch Clustering

Switch Clustering is a method of grouping switches together to enable centralized management through a single unit. Switches that support clustering can be grouped together regardless of physical location or switch type, as long as they are connected to the same local network.

Table 23: Switch Cluster Commands

Command	Function	Mode
<code>cluster</code>	Configures clustering on the switch	GC
<code>cluster commander</code>	Configures the switch as a cluster Commander	GC
<code>cluster ip-pool</code>	Sets the cluster IP address pool for Members	GC
<code>cluster member</code>	Sets Candidate switches as cluster members	GC
<code>rcommand</code>	Provides configuration access to Member switches	GC
<code>show cluster</code>	Displays the switch clustering status	PE
<code>show cluster members</code>	Displays current cluster Members	PE
<code>show cluster candidates</code>	Displays current cluster Candidates in the network	PE

Using Switch Clustering

- A switch cluster has a primary unit called the “Commander” which is used to manage all other “Member” switches in the cluster. The management station can use either Telnet or the web interface to communicate directly with the Commander through its IP address, and then use the Commander to manage the Member switches through the cluster’s “internal” IP addresses.
- Clustered switches must be in the same Ethernet broadcast domain. In other words, clustering only functions for switches which can pass information between the Commander and potential Candidates or active Members through VLAN 4093.
- Once a switch has been configured to be a cluster Commander, it automatically discovers other cluster-enabled switches in the network. These “Candidate” switches only become cluster Members when manually selected by the administrator through the management station.
- The cluster VLAN 4093 is not configured by default. Before using clustering, take the following actions to set up this VLAN:
 1. Create VLAN 4093 (see [“Editing VLAN Groups” on page 597](#)).

2. Add the participating ports to this VLAN (see “Configuring VLAN Interfaces” on page 599), and set them to hybrid mode, tagged members, PVID = 1, and acceptable frame type = all.



Note: Cluster Member switches can be managed either through a Telnet connection to the Commander, or through a web management connection to the Commander. When using a console connection, from the Commander CLI prompt, use the `rcommand` to connect to the Member switch.

cluster This command enables clustering on the switch. Use the **no** form to disable clustering.

Syntax

[no] cluster

Default Setting

Disabled

Command Mode

Global Configuration

Command Usage

- To create a switch cluster, first be sure that clustering is enabled on the switch (the default is enabled), then set the switch as a Cluster Commander. Set a Cluster IP Pool that does not conflict with any other IP subnets in the network. Cluster IP addresses are assigned to switches when they become Members and are used for communication between Member switches and the Commander.
- Switch clusters are limited to the same Ethernet broadcast domain.
- There can be up to 100 candidates and 36 member switches in one cluster.
- A switch can only be a Member of one cluster.
- Configured switch clusters are maintained across power resets and network changes.

Example

```
Console(config)#cluster
Console(config)#
```

cluster commander This command enables the switch as a cluster Commander. Use the **no** form to disable the switch as cluster Commander.

Syntax

[no] cluster commander

Default Setting

Disabled

Command Mode

Global Configuration

Command Usage

- Once a switch has been configured to be a cluster Commander, it automatically discovers other cluster-enabled switches in the network. These “Candidate” switches only become cluster Members when manually selected by the administrator through the management station.
- Cluster Member switches can be managed through a Telnet connection to the Commander. From the Commander CLI prompt, use the `rcommand id` command to connect to the Member switch.

Example

```
Console(config)#cluster commander  
Console(config)#
```

cluster ip-pool This command sets the cluster IP address pool. Use the **no** form to reset to the default address.

Syntax

cluster ip-pool *ip-address*

no cluster ip-pool

ip-address - The base IP address for IP addresses assigned to cluster Members. The IP address must start 10.x.x.x.

Default Setting

10.254.254.1

Command Mode

Global Configuration

Command Usage

- An “internal” IP address pool is used to assign IP addresses to Member switches in the cluster. Internal cluster IP addresses are in the form 10.x.x.*member-ID*. Only the base IP address of the pool needs to be set since Member IDs can only be between 1 and 36.

- Set a Cluster IP Pool that does not conflict with addresses in the network IP subnet. Cluster IP addresses are assigned to switches when they become Members and are used for communication between Member switches and the Commander.
- You cannot change the cluster IP pool when the switch is currently in Commander mode. Commander mode must first be disabled.

Example

```
Console(config)#cluster ip-pool 10.2.3.4
Console(config)#
```

cluster member This command configures a Candidate switch as a cluster Member. Use the **no** form to remove a Member switch from the cluster.

Syntax

cluster member mac-address *mac-address* **id** *member-id*

no cluster member id *member-id*

mac-address - The MAC address of the Candidate switch.

member-id - The ID number to assign to the Member switch. (Range: 1-36)

Default Setting

No Members

Command Mode

Global Configuration

Command Usage

- The maximum number of cluster Members is 36.
- The maximum number of cluster Candidates is 100.

Example

```
Console(config)#cluster member mac-address 00-12-34-56-78-9a id 5
Console(config)#
```

rcommand This command provides access to a cluster Member CLI for configuration.

Syntax

rcommand id *member-id*

member-id - The ID number of the Member switch. (Range: 1-36)

Command Mode

Privileged Exec

Command Usage

- This command only operates through a Telnet connection to the Commander switch. Managing cluster Members using the local console CLI on the Commander is not supported.
- There is no need to enter the username and password for access to the Member switch CLI.

Example

```
Console#rcommand id 1

      CLI session with the ECS5550-54X is opened.
      To end the CLI session, enter [Exit].

Vty-0#
```

show cluster This command shows the switch clustering configuration.

Command Mode

Privileged Exec

Example

```
Console#show cluster
Role           : commander
Interval Heartbeat : 30
Heartbeat Loss Count : 3 seconds
Number of Members : 1
Number of Candidates : 2
Console#
```

show cluster members This command shows the current switch cluster members.

Command Mode

Privileged Exec

Example

```
Console#show cluster members
Cluster Members:
ID           : 1
Role         : Active member
IP Address   : 10.254.254.2
MAC Address  : 00-E0-0C-00-00-FE
Description  : ECS5550-54X
Console#
```

show cluster candidates This command shows the discovered Candidate switches in the network.

Command Mode

Privileged Exec

Example

```
Console#show cluster candidates
Cluster Candidates:
Role           MAC Address      Description
-----
Candidate join 00-E0-0C-00-00-FE ECS5550-54X
Candidate      00-12-CF-0B-47-A0 ECS5550-54X
Console#
```

6

SNMP Commands

SNMP commands control access to this switch from management stations using the Simple Network Management Protocol (SNMP), as well as the error types sent to trap managers.

SNMP Version 3 also provides security features that cover message integrity, authentication, and encryption; as well as controlling user access to specific areas of the MIB tree. To use SNMPv3, first set an SNMP engine ID (or accept the default), specify read and write access views for the MIB tree, configure SNMP user groups with the required security model (i.e., SNMP v1, v2c or v3) and security level (i.e., authentication and privacy), and then assign SNMP users to these groups, along with their specific authentication and privacy passwords.

Table 24: SNMP Commands

Command	Function	Mode
<i>General SNMP Commands</i>		
<code>snmp-server</code>	Enables the SNMP agent	GC
<code>snmp-server community</code>	Sets up the community access string to permit access to SNMP commands	GC
<code>snmp-server contact</code>	Sets the system contact string	GC
<code>snmp-server location</code>	Sets the system location string	GC
<code>show snmp</code>	Displays the status of SNMP communications	NE, PE
<i>SNMP Target Host Commands</i>		
<code>snmp-server enable traps</code>	Enables the device to send SNMP traps (i.e., SNMP notifications)	GC
<code>snmp-server host</code>	Specifies the recipient of an SNMP notification operation	GC
<code>snmp-server enable port-traps link-up-down</code>	Enables the device to send SNMP traps (i.e., SNMP notifications) when a link-up or link-down state change occurs	IC
<code>snmp-server enable port-traps mac-notification</code>	Enables the device to send SNMP traps (i.e., SNMP notifications) when a dynamic MAC address is added or removed	IC
<code>show snmp-server enable port-traps</code>	Shows if SNMP traps are enabled or disabled for the specified interfaces	PE
<i>SNMPv3 Engine Commands</i>		
<code>snmp-server engine-id</code>	Sets the SNMP engine ID	GC
<code>snmp-server group</code>	Adds an SNMP group, mapping users to views	GC
<code>snmp-server user</code>	Adds a user to an SNMP group	GC
<code>snmp-server view</code>	Adds an SNMP view	GC

Table 24: SNMP Commands (Continued)

Command	Function	Mode
<code>show snmp engine-id</code>	Shows the SNMP engine ID	PE
<code>show snmp group</code>	Shows the SNMP groups	PE
<code>show snmp user</code>	Shows the SNMP users	PE
<code>show snmp view</code>	Shows the SNMP views	PE
<i>Notification Log Commands</i>		
<code>nlm</code>	Enables the specified notification log	GC
<code>snmp-server notify-filter</code>	Creates a notification log and specifies the target host	GC
<code>show nlm oper-status</code>	Shows operation status of configured notification logs	PE
<code>show snmp notify-filter</code>	Displays the configured notification logs	PE
<i>ATC Trap Commands</i>		
<code>snmp-server enable port-traps atc broadcast-alarm-clear</code>	Sends a trap when broadcast traffic falls beneath the lower threshold after a storm control response has been triggered	IC (Port)
<code>snmp-server enable port-traps atc broadcast-alarm-fire</code>	Sends a trap when broadcast traffic exceeds the upper threshold for automatic storm control	IC (Port)
<code>snmp-server enable port-traps atc broadcast-control-apply</code>	Sends a trap when broadcast traffic exceeds the upper threshold for automatic storm control and the apply timer expires	IC (Port)
<code>snmp-server enable port-traps atc broadcast-control-release</code>	Sends a trap when broadcast traffic falls beneath the lower threshold after a storm control response has been triggered and the release timer expires	IC (Port)
<code>snmp-server enable port-traps atc multicast-alarm-clear</code>	Sends a trap when multicast traffic falls beneath the lower threshold after a storm control response has been triggered	IC (Port)
<code>snmp-server enable port-traps atc multicast-alarm-fire</code>	Sends a trap when multicast traffic exceeds the upper threshold for automatic storm control	IC (Port)
<code>snmp-server enable port-traps atc multicast-control-apply</code>	Sends a trap when multicast traffic exceeds the upper threshold for automatic storm control and the apply timer expires	IC (Port)
<code>snmp-server enable port-traps atc multicast-control-release</code>	Sends a trap when multicast traffic falls beneath the lower threshold after a storm control response has been triggered and the release timer expires	IC (Port)
<i>Transceiver Power Threshold Trap Commands</i>		
<code>transceiver-threshold current</code>	Sends a trap when the transceiver current falls outside the specified thresholds	IC (Port)
<code>transceiver-threshold rx-power</code>	Sends a trap when the power level of the received signal falls outside the specified thresholds	IC (Port)
<code>transceiver-threshold temperature</code>	Sends a trap when the transceiver temperature falls outside the specified thresholds	IC (Port)
<code>transceiver-threshold tx-power</code>	Sends a trap when the power level of the transmitted signal power outside the specified thresholds	IC (Port)
<code>transceiver-threshold voltage</code>	Sends a trap when the transceiver voltage falls outside the specified thresholds	IC (Port)

Table 24: SNMP Commands (Continued)

Command	Function	Mode
<i>Additional Trap Commands</i>		
<code>memory</code>	Sets the rising and falling threshold for the memory utilization alarm	GC
<code>process cpu</code>	Sets the rising and falling threshold for the CPU utilization alarm	GC
<code>process cpu guard</code>	Sets the CPU utilization watermark and threshold	GC

General SNMP Commands

snmp-server This command enables the SNMPv3 engine and services for all management clients (i.e., versions 1, 2c, 3). Use the **no** form to disable the server.

Syntax

```
[no] snmp-server
```

Default Setting

Enabled

Command Mode

Global Configuration

Example

```
Console(config)#snmp-server
Console(config)#
```

snmp-server community This command defines community access strings used to authorize management access by clients using SNMP v1 or v2c. Use the **no** form to remove the specified community string.

Syntax

```
snmp-server community string [ro | rw]
```

```
no snmp-server community string
```

string - Community string that acts like a password and permits access to the SNMP protocol. (Maximum length: 32 characters, case sensitive; Maximum number of strings: 5)

ro - Specifies read-only access. Authorized management stations are only able to retrieve MIB objects.

rw - Specifies read/write access. Authorized management stations are able to both retrieve and modify MIB objects.

Default Setting

- public - Read-only access. Authorized management stations are only able to retrieve MIB objects.
- private - Read/write access. Authorized management stations are able to both retrieve and modify MIB objects.

Command Mode

Global Configuration

Example

```
Console(config)#snmp-server community alpha rw
Console(config)#
```

snmp-server contact This command sets the system contact string. Use the **no** form to remove the system contact information.

Syntax

snmp-server contact *string*

no snmp-server contact

string - String that describes the system contact information.
(Maximum length: 255 characters)

Default Setting

None

Command Mode

Global Configuration

Example

```
Console(config)#snmp-server contact Paul
Console(config)#
```

snmp-server location This command sets the system location string. Use the **no** form to remove the location string.

Syntax

snmp-server location *text*

no snmp-server location

text - String that describes the system location.
(Maximum length: 255 characters)

Default Setting

None

Command Mode

Global Configuration

Example

```
Console(config)#snmp-server location WC-19
Console(config)#
```

show snmp This command can be used to check the status of SNMP communications.

Default Setting

None

Command Mode

Normal Exec, Privileged Exec

Command Usage

This command provides information on the community access strings, counters for SNMP input and output protocol data units, and whether or not SNMP logging has been enabled with the **snmp-server enable traps** command.

Example

```
Console#show snmp

SNMP Agent : Enabled

SNMP Traps :
  Authentication : Enabled
  MAC-notification : Disabled
  MAC-notification interval : 1 second(s)

SNMP Communities :
  1. public, and the access level is read-only
  2. private, and the access level is read/write

0 SNMP packets input
  0 Bad SNMP version errors
  0 Unknown community name
  0 Illegal operation for community name supplied
  0 Encoding errors
  0 Number of requested variables
  0 Number of altered variables
  0 Get-request PDUs
  0 Get-next PDUs
  0 Set-request PDUs
0 SNMP packets output
  0 Too big errors
  0 No such name errors
  0 Bad values errors
  0 General errors
```



```

0 Response PDUs
0 Trap PDUs

SNMP Logging: Disabled
Console#

```

SNMP Target Host Commands

snmp-server enable traps This command enables this device to send Simple Network Management Protocol traps or informs (i.e., SNMP notifications). Use the **no** form to disable SNMP notifications.

Syntax

```
[no] snmp-server enable traps [authentication | mac-notification [interval seconds]]
```

authentication - Keyword to issue authentication failure notifications.

mac-notification - Keyword to issue trap when a dynamic MAC address is added or removed.

interval - Specifies the interval between issuing two consecutive traps. (Range: 1-3600 seconds; Default: 1 second)

Default Setting

Issue authentication traps
Other traps are disabled

Command Mode

Global Configuration

Command Usage

- If you do not enter an **snmp-server enable traps** command, no notifications controlled by this command are sent. In order to configure this device to send SNMP notifications, you must enter at least one **snmp-server enable traps** command. If you enter the command with no keywords, both authentication notifications are enabled. If you enter the command with a keyword, only the notification type related to that keyword is enabled.
- The **snmp-server enable traps** command is used in conjunction with the **snmp-server host** command. Use the **snmp-server host** command to specify which host or hosts receive SNMP notifications. In order to send notifications, you must configure at least one **snmp-server host** command.
- The authentication traps are legacy notifications, and therefore when used for SNMP Version 3 hosts, they must be enabled in conjunction with the corresponding entries in the Notify View assigned by the **snmp-server group** command.

- Interface link-up and link-down traps can be configured using the `snmp-server enable port-traps link-up-down` command.

Example

```
Console(config)#snmp-server enable traps authentication
Console(config)#
```

snmp-server host This command specifies the recipient of a Simple Network Management Protocol notification operation. Use the **no** form to remove the specified host.

Syntax

```
snmp-server host host-addr [inform [retry retries | timeout seconds]]
community-string [version {1 | 2c | 3} {auth | noauth | priv} [udp-port port]]
```

```
no snmp-server host host-addr
```

host-addr - IPv4 or IPv6 address of the host (the targeted recipient).
(Maximum host addresses: 5 trap destination IP address entries)

inform - Notifications are sent as inform messages. Note that this option is only available for version 2c and 3 hosts. (Default: traps are used)

retries - The maximum number of times to resend an inform message if the recipient does not acknowledge receipt. (Range: 0-255; Default: 3)

seconds - The number of seconds to wait for an acknowledgment before resending an inform message. (Range: 0-2147483647 centiseconds; Default: 1500 centiseconds)

community-string - Password-like community string sent with the notification operation to SNMP V1 and V2c hosts. Although you can set this string using the **snmp-server host** command by itself, we recommend defining it with the **snmp-server community** command prior to using the **snmp-server host** command. (Maximum length: 32 characters)

version - Specifies whether to send notifications as SNMP Version 1, 2c or 3 traps. (Range: 1, 2c, 3; Default: 1)

auth | **noauth** | **priv** - This group uses SNMPv3 with authentication, no authentication, or with authentication and privacy. See “Simple Network Management Protocol” in the *Web Management Guide* for further information about these authentication and encryption options.

port - Host UDP port to use. (Range: 1-65535; Default: 162)

Default Setting

Host Address: None
Notification Type: Traps
SNMP Version: 1
UDP Port: 162

Command Mode

Global Configuration

Command Usage

- If you do not enter an **snmp-server host** command, no notifications are sent. In order to configure the switch to send SNMP notifications, you must enter at least one **snmp-server host** command. In order to enable multiple hosts, you must issue a separate **snmp-server host** command for each host.
- The **snmp-server host** command is used in conjunction with the **snmp-server enable traps** command. Use the **snmp-server enable traps** command to enable the sending of traps or informs and to specify which SNMP notifications are sent globally. For a host to receive notifications, at least one **snmp-server enable traps** command and the **snmp-server host** command for that host must be enabled.
- Some notification types cannot be controlled with the **snmp-server enable traps** command. For example, some notification types are always enabled.
- Notifications are issued by the switch as trap messages by default. The recipient of a trap message does not send a response to the switch. Traps are therefore not as reliable as inform messages, which include a request for acknowledgement of receipt. Informs can be used to ensure that critical information is received by the host. However, note that informs consume more system resources because they must be kept in memory until a response is received. Informs also add to network traffic. You should consider these effects when deciding whether to issue notifications as traps or informs.

To send an inform to a SNMPv2c host, complete these steps:

1. Enable the SNMP agent ([page 142](#)).
2. Create a view with the required notification messages ([page 154](#)).
3. Create a group that includes the required notify view ([page 151](#)).
4. Allow the switch to send SNMP traps; i.e., notifications ([page 145](#)).
5. Specify the target host that will receive inform messages with the **snmp-server host** command as described in this section.

To send an inform to a SNMPv3 host, complete these steps:

1. Enable the SNMP agent ([page 142](#)).
 2. Create a remote SNMPv3 user to use in the message exchange process ([page 152](#)).
 3. Create a view with the required notification messages ([page 154](#)).
 4. Create a group that includes the required notify view ([page 151](#)).
 5. Allow the switch to send SNMP traps; i.e., notifications ([page 145](#)).
 6. Specify the target host that will receive inform messages with the **snmp-server host** command as described in this section.
- The switch can send SNMP Version 1, 2c or 3 notifications to a host IP address, depending on the SNMP version that the management station supports. If the

snmp-server host command does not specify the SNMP version, the default is to send SNMP version 1 notifications.

- If you specify an SNMP Version 3 host, then the community string is interpreted as an SNMP user name. The user name must first be defined with the **snmp-server user** command. Otherwise, an SNMPv3 group will be automatically created by the **snmp-server host** command using the name of the specified community string, and default settings for the read, write, and notify view.

Example

```
Console(config)#snmp-server host 10.1.19.23 batman
Console(config)#
```

snmp-server enable port-traps link-up-down

This command enables the device to send SNMP traps (i.e., SNMP notifications) when a link-up or link-down state change occurs. Use the **no** form to restore the default setting.

Syntax

[no] **snmp-server enable port-traps link-up-down**

Default Setting

Disabled

Command Mode

Interface Configuration (Ethernet, Port Channel)

Example

```
Console(config)#interface ethernet 1/1
Console(config-if)#snmp-server enable port-traps link-up-down
Console(config)#
```

snmp-server enable port-traps mac-notification

This command enables the device to send SNMP traps (i.e., SNMP notifications) when a dynamic MAC address is added or removed. Use the **no** form to restore the default setting.

Syntax

[no] **snmp-server enable port-traps mac-notification**

mac-notification - Keyword to issue trap when a dynamic MAC address is added or removed.

Default Setting

Disabled

Command Mode

Interface Configuration (Ethernet, Port Channel)

Command Usage

This command can enable MAC authentication traps on the current interface only if they are also enabled at the global level with the `snmp-server enable traps mac-authentication` command.

Example

```

Console(config)#interface ethernet 1/1
Console(config-if)#snmp-server enable port-traps mac-notification
Console(config)#

```

show snmp-server enable port-traps This command shows if SNMP traps are enabled or disabled for the specified interfaces.

Syntax

`show snmp-server enable port-traps interface [interface]`

interface

ethernet *unit/port*

unit - Unit identifier.

port - Port number.

port-channel *channel-id*

Command Mode

Privileged Exec

Example

```

Console#show snmp-server enable port-traps interface
Interface MAC Notification Trap
-----
Eth 1/1                               No
Eth 1/2                               No
Eth 1/3                               No
:
```

SNMPv3 Commands

snmp-server engine-id This command configures an identification string for the SNMPv3 engine. Use the **no** form to restore the default.

Syntax

```
snmp-server engine-id {local | remote {ip-address}} engineid-string
```

```
no snmp-server engine-id {local | remote {ip-address}}
```

local - Specifies the SNMP engine on this switch.

remote - Specifies an SNMP engine on a remote device.

ip-address - IPv4 or IPv6 address of the remote device.

engineid-string - String identifying the engine ID. (Range: 9-64 hexadecimal characters)

Default Setting

A unique engine ID is automatically generated by the switch based on its MAC address.

Command Mode

Global Configuration

Command Usage

- An SNMP engine is an independent SNMP agent that resides either on this switch or on a remote device. This engine protects against message replay, delay, and redirection. The engine ID is also used in combination with user passwords to generate the security keys for authenticating and encrypting SNMPv3 packets.
- A remote engine ID is required when using SNMPv3 informs. (See the [snmp-server host](#) command.) The remote engine ID is used to compute the security digest for authentication and encryption of packets passed between the switch and a user on the remote host. SNMP passwords are localized using the engine ID of the authoritative agent. For informs, the authoritative SNMP agent is the remote agent. You therefore need to configure the remote agent's SNMP engine ID before you can send proxy requests or informs to it.
- Trailing zeroes need not be entered to uniquely specify a engine ID. In other words, the value "0123456789" is equivalent to "0123456789" followed by 16 zeroes for a local engine ID.
- A local engine ID is automatically generated that is unique to the switch. This is referred to as the default engine ID. If the local engine ID is deleted or changed, all SNMP users will be cleared. You will need to reconfigure all existing users ([page 152](#)).

Example

```
Console(config)#snmp-server engine-id local 1234567890
Console(config)#snmp-server engine-id remote 192.168.1.19 9876543210
Console(config)#
```

snmp-server group This command adds an SNMP group, mapping SNMP users to SNMP views. Use the **no** form to remove an SNMP group.

Syntax

```
snmp-server group groupname
{v1 | v2c | v3 {auth | noauth | priv}}
[read readview] [write writeview] [notify notifyview]
```

```
no snmp-server group groupname
```

groupname - Name of an SNMP group. A maximum of 22 groups can be configured. (Range: 1-32 characters)

v1 | **v2c** | **v3** - Use SNMP version 1, 2c or 3.

auth | **noauth** | **priv** - This group uses SNMPv3 with authentication, no authentication, or with authentication and privacy. See “Simple Network Management Protocol” in the *Web Management Guide* for further information about these authentication and encryption options.

readview - Defines the view for read access. (1-32 characters)

writeview - Defines the view for write access. (1-32 characters)

notifyview - Defines the view for notifications. (1-32 characters)

Default Setting

Default groups: public¹ (read only), private² (read/write)

readview - Every object belonging to the Internet OID space (1).

writeview - Nothing is defined.

notifyview - Nothing is defined.

Command Mode

Global Configuration

Command Usage

- A group sets the access policy for the assigned users.
- When authentication is selected, the MD5 or SHA algorithm is used as specified in the [snmp-server user](#) command.
- When privacy is selected, the DES 56-bit algorithm is used for data encryption.

1. No view is defined.

2. Maps to the defaultview.

- For additional information on the notification messages supported by this switch, see the table for “Supported Notification Messages” in the *Web Management Guide*. Also, note that the authentication, link-up and link-down messages are legacy traps and must therefore be enabled in conjunction with the `snmp-server enable traps` command.

Example

```
Console(config)#snmp-server group r&d v3 auth write daily
Console(config)#
```

snmp-server user This command adds a user to an SNMP group, restricting the user to a specific SNMP Read, Write, or Notify View. Use the **no** form to remove a user from an SNMP group.

Syntax

```
snmp-server user username groupname
{v1 | v2c | v3 [encrypted] [auth {md5 | sha} auth-password [priv {3des |
aes128 | aes192 | aes256 | des56} priv-password]]
```

```
snmp-server user username groupname remote ip-address
{v3 [encrypted] [auth {md5 | sha} auth-password [priv {3des | aes128 |
aes192 | aes256 | des56} priv-password]]
```

```
no snmp-server user username {v1 | v2c | v3 | remote ip-address v3}
```

username - Name of user connecting to the SNMP agent. A maximum of 22 groups can be configured. (Range: 1-32 characters)

groupname - Name of an SNMP group to which the user is assigned. (Range: 1-32 characters)

remote - Specifies an SNMP engine on a remote device.

ip-address - IPv4 address of the remote device.

v1 | v2c | v3 - Use SNMP version 1, 2c or 3.

encrypted - Accepts the password as encrypted input.

auth - Uses SNMPv3 with authentication.

md5 | sha - Uses MD5 or SHA authentication.

auth-password - Authentication password. Enter as plain text if the **encrypted** option is not used. Otherwise, enter an encrypted password. (Range: 8-32 characters for unencrypted password.)

If the **encrypted** option is selected, enter an encrypted password. (Range: 32 characters for MD5 encrypted password, 40 characters for SHA encrypted password)

priv - Uses SNMPv3 with privacy.

3des - Uses SNMPv3 with privacy with 3DES (168-bit) encryption.

aes128 - Uses SNMPv3 with privacy with AES128 encryption.

aes192 - Uses SNMPv3 with privacy with AES192 encryption.

aes256 - Uses SNMPv3 with privacy with AES256 encryption.

des56 - Uses SNMPv3 with privacy with DES56 encryption.

priv-password - Privacy password. Enter as plain text if the **encrypted** option is not used. Otherwise, enter an encrypted password.

(Range: 8-32 characters)

Default Setting

None

Command Mode

Global Configuration

Command Usage

- Local users (i.e., the command does not specify a remote engine identifier) must be configured to authorize management access for SNMPv3 clients, or to identify the source of SNMPv3 trap messages sent from the local switch.
- Remote users (i.e., the command specifies a remote engine identifier) must be configured to identify the source of SNMPv3 inform messages sent from the local switch.
- The SNMP engine ID is used to compute the authentication/privacy digests from the password. You should therefore configure the engine ID with the [snmp-server engine-id](#) command before using this configuration command.
- Before you configure a remote user, use the [snmp-server engine-id](#) command to specify the engine ID for the remote device where the user resides. Then use the **snmp-server user** command to specify the user and the IP address for the remote device where the user resides. The remote agent's SNMP engine ID is used to compute authentication/privacy digests from the user's password. If the remote engine ID is not first configured, the **snmp-server user** command specifying a remote user will fail.
- SNMP passwords are localized using the engine ID of the authoritative agent. For informs, the authoritative SNMP agent is the remote agent. You therefore need to configure the remote agent's SNMP engine ID before you can send proxy requests or informs to it.

Example

```

Console(config)#snmp-server user steve r&d v3 auth md5 greenpeace priv des56
einstien
Console(config)#snmp-server engine-id remote 192.168.1.19 9876543210
Console(config)#snmp-server user mark r&d remote 192.168.1.19 v3 auth md5
greenpeace priv des56 einstien
Console(config)#

```

snmp-server view This command adds an SNMP view which controls user access to the MIB. Use the **no** form to remove an SNMP view.

Syntax

```
snmp-server view view-name oid-tree {included | excluded}
```

```
no snmp-server view view-name
```

view-name - Name of an SNMP view. A maximum of 32 views can be configured. (Range: 1-32 characters)

oid-tree - Object identifier of a branch within the MIB tree. Wild cards can be used to mask a specific portion of the OID string. (Refer to the examples.)

included - Defines an included view.

excluded - Defines an excluded view.

Default Setting

defaultview (includes access to the entire MIB tree)

Command Mode

Global Configuration

Command Usage

- Views are used in the [snmp-server group](#) command to restrict user access to specified portions of the MIB tree.
- The predefined view “defaultview” includes access to the entire MIB tree.

Examples

This view includes MIB-2.

```
Console(config)#snmp-server view mib-2 1.3.6.1.2.1 included
Console(config)#
```

This view includes the MIB-2 interfaces table, ifDescr. The wild card is used to select all the index values in the following table.

```
Console(config)#snmp-server view ifEntry.2 1.3.6.1.2.1.2.2.1.*.2 included
Console(config)#
```

This view includes the MIB-2 interfaces table, and the mask selects all index entries.

```
Console(config)#snmp-server view ifEntry.a 1.3.6.1.2.1.2.2.1.1.* included
Console(config)#
```

show snmp engine-id This command shows the SNMP engine ID.

Command Mode

Privileged Exec

Example

This example shows the default engine ID.

```

Console#show snmp engine-id
Local SNMP EngineID: 8000002a8000000000e8666672
Local SNMP EngineBoots: 1

Remote SNMP Engine ID                               IP address
80000000030004e2b316c54321                         192.168.1.19
Console#

```

show snmp group Four default groups are provided – SNMPv1 read-only access and read/write access, and SNMPv2c read-only access and read/write access.

Command Mode

Privileged Exec

Example

```

Console#show snmp group
Group Name      : r&d
Security Model  : v3
Security Level  : Authentication and privacy
Read View       : No readview specified
Write View      : No writeview specified
Notify View     : No notifyview specified
Storage Type    : Nonvolatile
Row Status     : Active

Group Name      : public
Security Model  : v1
Read View       : defaultview
Write View      : No writeview specified
Notify View     : No notifyview specified
Storage Type    : Volatile
Row Status     : Active

Group Name      : public
Security Model  : v2c
Read View       : defaultview
Write View      : No writeview specified
Notify View     : No notifyview specified
Storage Type    : Volatile
Row Status     : Active

Group Name      : private
Security Model  : v1
Read View       : defaultview
Write View      : defaultview
Notify View     : No notifyview specified
Storage Type    : Volatile

```

```
Row Status      : Active

Group Name      : private
Security Model  : v2c
Read View       : defaultview
Write View      : defaultview
Notify View     : No notifyview specified
Storage Type    : Volatile
Row Status      : Active
Console#
```

show snmp user This command shows information on SNMP users.

Command Mode

Privileged Exec

Example

```
Console#show snmp user
Engine ID       : 800001030300e00c0000fd0000
User Name      : steve
Group Name      : rd
Security Model  : v1
Security Level  : None
Authentication Protocol : None
Privacy Protocol : None
Storage Type    : Nonvolatile
Row Status      : Active

SNMP remote user
Engine ID       : 0000937564846450000
User Name      : mark
Group Name      : public
Security Model  : v3
Security Level  : Authentication and privacy
Authentication Protocol : MD5
Privacy Protocol : DES56
Storage Type    : Nonvolatile
Row Status      : Active
Console#
```

show snmp view This command shows information on the SNMP views.

Command Mode

Privileged Exec

Example

```
Console#show snmp view
View Name: mib-2
Subtree OID: 1.2.2.3.6.2.1
View Type: included
Storage Type: permanent
Row Status: active
```

```
View Name      : defaultview
Subtree OID    : 1
View Type      : included
Storage Type   : volatile
Row Status     : active
Console#
```

Notification Log Commands

nlm This command enables or disables the specified notification log.

Syntax

```
[no] nlm filter-name
```

filter-name - Notification log name. (Range: 1-32 characters)

Default Setting

None

Command Mode

Global Configuration

Command Usage

- Notification logging is enabled by default, but will not start recording information until a logging profile specified by the [snmp-server notify-filter](#) command is enabled by the **nlm** command.
- Disabling logging with this command does not delete the entries stored in the notification log.

Example

This example enables the notification log A1.

```
Console(config)#nlm A1
Console(config)#
```

snmp-server notify-filter This command creates an SNMP notification log. Use the **no** form to remove this log.

Syntax

```
[no] snmp-server notify-filter profile-name remote ip-address
```

profile-name - Notification log profile name. (Range: 1-32 characters)

ip-address - IPv4 or IPv6 address of a remote device. The specified target host must already have been configured using the [snmp-server host](#) command.



Note: The notification log is stored locally. It is not sent to a remote device. This remote host parameter is only required to complete mandatory fields in the SNMP Notification MIB.

Default Setting

None

Command Mode

Global Configuration

Command Usage

- Systems that support SNMP often need a mechanism for recording Notification information as a hedge against lost notifications, whether there are Traps or Informs that may exceed retransmission limits. The Notification Log MIB (NLM, RFC 3014) provides an infrastructure in which information from other MIBs may be logged.
- Given the service provided by the NLM, individual MIBs can now bear less responsibility to record transient information associated with an event against the possibility that the Notification message is lost, and applications can poll the log to verify that they have not missed any important Notifications.
- If notification logging is not configured and enabled, when the switch reboots, some SNMP traps (such as warm start) cannot be logged.
- To avoid this problem, notification logging should be configured and enabled using the **snmp-server notify-filter** command and **nlm** command, and these commands stored in the startup configuration file. Then when the switch reboots, SNMP traps (such as warm start) can now be logged.
- When this command is executed, a notification log is created (with the default parameters defined in RFC 3014). Notification logging is enabled by default (see the **nlm** command), but will not start recording information until a logging profile specified with this command is enabled with the **nlm** command.
- Based on the default settings used in RFC 3014, a notification log can contain up to 256 entries, and the entry aging time is 1440 minutes. Information recorded in a notification log, and the entry aging time can only be configured using SNMP from a network management station.
- When a trap host is created with the **snmp-server host** command, a default notify filter will be created as shown in the example under the **show snmp notify-filter** command.

Example

This example first creates an entry for a remote host, and then instructs the switch to record this device as the remote host for the specified notification log.

```
Console(config)#snmp-server host 10.1.19.23 batman
Console(config)#snmp-server notify-filter A1 remote 10.1.19.23
Console#
```

show nlm oper-status This command shows the operational status of configured notification logs.

Command Mode

Privileged Exec

Example

```
Console#show nlm oper-status
Filter Name: A1
Oper-Status: Operational
Console#
```

show snmp notify-filter This command displays the configured notification logs.

Command Mode

Privileged Exec

Example

This example displays the configured notification logs and associated target hosts.

```
Console#show snmp notify-filter
Filter profile name          IP address
-----
A1                          10.1.19.23
Console#
```

Additional Trap Commands

memory This command sets an SNMP trap based on configured thresholds for memory utilization. Use the **no** form to restore the default setting.

Syntax

memory {**rising** *rising-threshold* | **falling** *falling-threshold*}

no memory {**rising** | **falling**}

rising-threshold - Rising threshold for memory utilization alarm expressed in percentage. (Range: 1-100)

falling-threshold - Falling threshold for memory utilization alarm expressed in percentage. (Range: 1-100)

Default Setting

Rising Threshold: 90%
Falling Threshold: 70%

Command Mode

Global Configuration

Command Usage

Once the rising alarm threshold is exceeded, utilization must drop beneath the falling threshold before the alarm is terminated, and then exceed the rising threshold again before another alarm is triggered.

Example

```
Console(config)#memory rising 80
Console(config)#memory falling 60
Console#
```

process cpu This command sets an SNMP trap based on configured thresholds for CPU utilization. Use the no form to restore the default setting.

Syntax

process cpu {**rising** *rising-threshold* | **falling** *falling-threshold*}

no process cpu {**rising** | **falling**}

rising-threshold - Rising threshold for CPU utilization alarm expressed in percentage. (Range: 1-100)

falling-threshold - Falling threshold for CPU utilization alarm expressed in percentage. (Range: 1-100)

Default Setting

Rising Threshold: 90%
Falling Threshold: 70%

Command Mode

Global Configuration

Command Usage

Once the rising alarm threshold is exceeded, utilization must drop beneath the falling threshold before the alarm is terminated, and then exceed the rising threshold again before another alarm is triggered.

Example

```

Console(config)#process cpu rising 80
Console(config)#process cpu falling 60
Console#

```

process cpu guard This command sets the CPU utilization high and low watermarks in percentage of CPU time utilized and the CPU high and low thresholds in the number of packets being processed per second. Use the **no** form of this command without any parameters to restore all of the default settings, or with a specific parameter to restore the default setting for that item.

Syntax

```

process cpu guard [high-watermark high-watermark |
low-watermark low-watermark | max-threshold max-threshold |
min-threshold min-threshold | trap]

```

high-watermark - If the percentage of CPU usage time is higher than the high-watermark, the switch stops packet flow to the CPU (allowing it to catch up with packets already in the buffer) until usage time falls below the low watermark. (Range: 40-100%)

low-watermark - If packet flow has been stopped after exceeding the high watermark, normal flow will be restored after usage falls beneath the low watermark. (Range: 40-100%)

max-threshold - If the number of packets being processed per second by the CPU is higher than the maximum threshold, the switch stops packet flow to the CPU (allowing it to catch up with packets already in the buffer) until the number of packets being processed falls below the minimum threshold. (Range: 50-500 pps)

min-threshold - If packet flow has been stopped after exceeding the maximum threshold, normal flow will be restored after usage falls beneath the minimum threshold. (Range: 50-500 pps)

trap - If traps are enabled, the switch will send an alarm message if CPU utilization exceeds the high watermark in percentage of CPU usage time or exceeds the maximum threshold in the number of packets being processed by the CPU.

Default Setting

Guard Status: Disabled

High Watermark: 90%

Low Watermark: 70%

Maximum Threshold: 500 packets per second

Minimum Threshold: 50 packets per second

Trap Status: Disabled

Command Mode

Global Configuration

Command Usage

- Once the high watermark is exceeded, utilization must drop beneath the low watermark before the alarm is terminated, and then exceed the high watermark again before another alarm is triggered.
- Once the maximum threshold is exceeded, utilization must drop beneath the minimum threshold before the alarm is terminated, and then exceed the maximum threshold again before another alarm is triggered.

Example

```
Console(config)#process cpu guard high-watermark 80
Console(config)#process cpu guard low-watermark 60
Console(config)#
```

7

Remote Monitoring Commands

Remote Monitoring allows a remote device to collect information or respond to specified events on an independent basis. This switch is an RMON-capable device which can independently perform a wide range of tasks, significantly reducing network management traffic. It can continuously run diagnostics and log information on network performance. If an event is triggered, it can automatically notify the network administrator of a failure and provide historical information about the event. If it cannot connect to the management agent, it will continue to perform any specified tasks and pass data back to the management station the next time it is contacted.

This switch supports mini-RMON, which consists of the Statistics, History, Event and Alarm groups. When RMON is enabled, the system gradually builds up information about its physical interfaces, storing this information in the relevant RMON database group. A management agent then periodically communicates with the switch using the SNMP protocol. However, if the switch encounters a critical event, it can automatically send a trap message to the management agent which can then respond to the event if so configured.

Table 25: RMON Commands

Command	Function	Mode
<code>rmon alarm</code>	Sets threshold bounds for a monitored variable	GC
<code>rmon event</code>	Creates a response event for an alarm	GC
<code>rmon collection history</code>	Periodically samples statistics	IC
<code>rmon collection rmon1</code>	Enables statistics collection	IC
<code>show rmon alarms</code>	Shows the settings for all configured alarms	PE
<code>show rmon events</code>	Shows the settings for all configured events	PE
<code>show rmon history</code>	Shows the sampling parameters for each entry	PE
<code>show rmon statistics</code>	Shows the collected statistics	PE

rmon alarm This command sets threshold bounds for a monitored variable. Use the **no** form to remove an alarm.

Syntax

```
rmon alarm index variable interval {absolute | delta}
rising-threshold threshold [event-index] falling-threshold threshold [event-index]
[owner name]
```

```
no rmon alarm index
```

index – Index to this entry. (Range: 1-65535)

variable – The object identifier of the MIB variable to be sampled. Only variables of the type etherStatsEntry.n.n may be sampled. Note that etherStatsEntry.n uniquely defines the MIB variable, and etherStatsEntry.n.n defines the MIB variable, plus the etherStatsIndex. For example, 1.3.6.1.2.1.16.1.1.1.6.1 denotes etherStatsBroadcastPkts, plus the etherStatsIndex of 1.

interval – The polling interval. (Range: 1-31622400 seconds)

absolute – The variable is compared directly to the thresholds at the end of the sampling period.

delta – The last sample is subtracted from the current value and the difference is then compared to the thresholds.

threshold – An alarm threshold for the sampled variable.
(Range: 0-2147483647)

event-index – The index of the event to use if an alarm is triggered. If there is no corresponding entry in the event control table, then no event will be generated. (Range: 1-65535)

name – Name of the person who created this entry. (Range: 1-127 characters)

Default Setting

1.3.6.1.2.1.16.1.1.1.6.1 - 1.3.6.1.2.1.16.1.1.1.6.18

Taking delta samples every 30 seconds, last value was 0

Rising threshold is 892800, assigned to event 0

Falling threshold is 446400, assigned to event 0

Command Mode

Global Configuration

Command Usage

- If an event is already defined for an index, the entry must be deleted before any changes can be made with this command.
- If the current value is greater than or equal to the rising threshold, and the last sample value was less than this threshold, then an alarm will be generated. After a rising event has been generated, another such event will not be

generated until the sampled value has fallen below the rising threshold, reaches the falling threshold, and again moves back up to the rising threshold.

- If the current value is less than or equal to the falling threshold, and the last sample value was greater than this threshold, then an alarm will be generated. After a falling event has been generated, another such event will not be generated until the sampled value has risen above the falling threshold, reaches the rising threshold, and again moves back down to the failing threshold.

Example

```
Console(config)#rmon alarm 1 1.3.6.1.2.1.16.1.1.1.6.1 15 delta
    rising-threshold 100 1 falling-threshold 30 1 owner mike
Console(config)#
```

rmon event This command creates a response event for an alarm. Use the **no** form to remove an event.

Syntax

rmon event *index* [**log**] | [**trap** *community*] | [**description** *string*] | [**owner** *name*]

no rmon event *index*

index – Index to this entry. (Range: 1-65535)

log – Generates an RMON log entry when the event is triggered. Log messages are processed based on the current configuration settings for event logging (see [“Event Logging” on page 104](#)).

trap – Sends a trap message to all configured trap managers (see the [snmp-server host](#) command).

community – A password-like community string sent with the trap operation to SNMP v1 and v2c hosts. Although this string can be set using the **rmon event** command by itself, it is recommended that the string be defined using the [snmp-server community](#) command prior to using the **rmon event** command. (Range: 1-32 characters)

string – A comment that describes this event. (Range: 1-127 characters)

name – Name of the person who created this entry. (Range: 1-32 characters)

Default Setting

None

Command Mode

Global Configuration

Command Usage

- If an event is already defined for an index, the entry must be deleted before any changes can be made with this command.
- The specified events determine the action to take when an alarm triggers this event. The response to an alarm can include logging the alarm or sending a message to a trap manager.

Example

```
Console(config)#rmon event 2 log description urgent owner mike
Console(config)#
```

rmon collection history This command periodically samples statistics on a physical interface. Use the `no` form to disable periodic sampling.

Syntax

```
rmon collection history controlEntry index
[buckets number [interval seconds]] |
[interval seconds] |
[owner name [buckets number [interval seconds]]]
```

```
no rmon collection history controlEntry index
```

index – Index to this entry. (Range: 1-65535)

number – The number of buckets requested for this entry. (Range: 1-65535)

seconds – The polling interval. (Range: 1-3600 seconds)

name – Name of the person who created this entry. (Range: 1-32 characters)

Default Setting

1.3.6.1.2.1.16.1.1.1.6.1 - 1.3.6.1.2.1.16.1.1.1.6.18

Buckets: 50

Interval: 30 seconds for even numbered entries,
1800 seconds for odd numbered entries

Command Mode

Interface Configuration (Ethernet)

Command Usage

- By default, each index number equates to a port on the switch, but can be changed to any number not currently in use.
- If periodic sampling is already enabled on an interface, the entry must be deleted before any changes can be made with this command.

- The information collected for each sample includes:
input octets, packets, broadcast packets, multicast packets, undersize packets, oversize packets, fragments, jabbers, CRC alignment errors, collisions, drop events, and network utilization.
- The switch reserves two controlEntry index entries for each port. If a default index entry is re-assigned to another port by this command, the `show running-config` command will display a message indicating that this index is not available for the port to which is normally assigned.

For example, if control entry 15 is assigned to port 5 as shown below, the `show running-config` command will indicate that this entry is not available for port 8.

```
Console(config)#interface ethernet 1/5
Console(config-if)#rmon collection history controlEntry 15
Console(config-if)#end
Console#show running-config
!
interface ethernet 1/5
  rmon collection history controlEntry 15 buckets 50 interval 1800
...
interface ethernet 1/8
  no rmon collection history controlEntry 15
```

Example

```
Console(config)#interface ethernet 1/1
Console(config-if)#rmon collection history controlentry 21 owner mike buckets
24 interval 60
Console(config-if)#
```

rmon collection rmon1 This command enables the collection of statistics on a physical interface. Use the `no` form to disable statistics collection.

Syntax

```
rmon collection rmon1 controlEntry index [owner name]
```

```
no rmon collection rmon1 controlEntry index
```

index – Index to this entry. (Range: 1-65535)

name – Name of the person who created this entry.
(Range: 1-32 characters)

Default Setting

Enabled

Command Mode

Interface Configuration (Ethernet)

Command Usage

- By default, each index number equates to a port on the switch, but can be changed to any number not currently in use.

- If statistics collection is already enabled on an interface, the entry must be deleted before any changes can be made with this command.
- The information collected for each entry includes:
input octets, packets, broadcast packets, multicast packets, undersize packets, oversize packets, fragments, jabbers, CRC alignment errors, collisions, drop events, and packets of specified lengths

Example

```
Console(config)#interface ethernet 1/1
Console(config-if)#rmon collection rmon1 controlentry 1 owner mike
Console(config-if)#
```

show rmon alarms This command shows the settings for all configured alarms.

Command Mode

Privileged Exec

Example

```
Console#show rmon alarms
Alarm 1 is valid, owned by
Monitors 1.3.6.1.2.1.16.1.1.1.6.1 every 30 seconds
Taking delta samples, last value was 0
Rising threshold is 892800, assigned to event 0
Falling threshold is 446400, assigned to event 0
:
```

show rmon events This command shows the settings for all configured events.

Command Mode

Privileged Exec

Example

```
Console#show rmon events
Event 2 is valid, owned by mike
Description is urgent
Event firing causes log and trap to community , last fired 00:00:00
Console#
```


show rmon history This command shows the sampling parameters configured for each entry in the history group.

Command Mode

Privileged Exec

Example

```
Console#show rmon history
Entry 1 is valid, and owned by
Monitors 1.3.6.1.2.1.2.2.1.1.1 every 1800 seconds
Requested # of time intervals, ie buckets, is 8
Granted # of time intervals, ie buckets, is 8
Sample # 1 began measuring at 00:00:01
Received 77671 octets, 1077 packets,
61 broadcast and 978 multicast packets,
0 undersized and 0 oversized packets,
0 fragments and 0 jabbers packets,
0 CRC alignment errors and 0 collisions.
# of dropped packet events is 0
Network utilization is estimated at 0
:
```

show rmon statistics This command shows the information collected for all configured entries in the statistics group.

Command Mode

Privileged Exec

Example

```
Console#show rmon statistics
Interface 1 is valid, and owned by
Monitors 1.3.6.1.2.1.2.2.1.1.1 which has
Received 164289 octets, 2372 packets,
120 broadcast and 2211 multicast packets,
0 undersized and 0 oversized packets,
0 fragments and 0 jabbers,
0 CRC alignment errors and 0 collisions.
# of dropped packet events (due to lack of resources): 0
# of packets received of length (in octets):
64: 2245, 65-127: 87, 128-255: 31,
256-511: 5, 512-1023: 2, 1024-1518: 2
:
```

8

Flow Sampling Commands

Flow sampling (sFlow) can be used with a remote sFlow Collector to provide an accurate, detailed and real-time overview of the types and levels of traffic present on the network. The sFlow Agent samples 1 out of n packets from all data traversing the switch, re-encapsulates the samples as sFlow datagrams and transmits them to the sFlow Collector. This sampling occurs at the internal hardware level where all traffic is seen, whereas traditional probes only have a partial view of traffic as it is sampled at the monitored interface. Moreover, the processor and memory load imposed by the sFlow agent is minimal since local analysis does not take place.



Note: The terms “collector”, “receiver” and “owner”, in the context of this chapter, all refer to a remote server capable of receiving the sFlow datagrams generated by the sFlow agent of the switch.

Table 26: sFlow Commands

Command	Function	Mode
<code>sflow owner</code>	Creates an sFlow collector which the switch uses to send samples to.	PE
<code>sflow polling instance</code>	Configures an sFlow polling data source that takes samples periodically based on time.	PE
<code>sflow sampling instance</code>	Configures an sFlow sampling data source that samples periodically based on a packet count.	PE
<code>show sflow</code>	Shows the global and interface settings for the sFlow process	PE

sflow owner This command creates an sFlow collector on the switch. Use the **no** form to remove the sFlow receiver.

Syntax

```
sflow owner owner-name timeout timeout-value
[destination {ipv4-address | ipv6-address}]
[max-datagram-size max-datagram-size] [version {v4 | v5}]
[port destination-udp-port ] [max-datagram-size max-datagram-size] [version
{v4 | v5}]
[port destination-udp-port]
```

```
no sflow owner owner-name
```

owner-name - Name of the collector. (Range: 1-30 alphanumeric characters)

timeout-value - The length of time the sFlow interface is available to send samples to a receiver, after which the owner and associated polling and sampling data source instances are removed from the configuration. (Range: 30-10000000 seconds)

ipv4-address - IPv4 address of the sFlow collector. Valid IPv4 addresses consist of four decimal numbers, 0 to 255, separated by periods.

ipv6-address - IPv6 address of the sFlow collector. A full IPv6 address including the network prefix and host address bits. An IPv6 address consists of 8 colon-separated 16-bit hexadecimal values. One double colon may be used to indicate the appropriate number of zeros required to fill the undefined fields.

destination-udp-port - The UDP port on which the collector is listening for sFlow streams. (Range: 1-65535)

max-datagram-size - The maximum size of the sFlow datagram payload. (Range: 200-1500 bytes)

version {**v4** | **v5**} - Sends either v4 or v5 sFlow datagrams to the receiver.

Default Setting

No owner is configured

UDP Port: 6343

Version: v5

Maximum Datagram Size: 1400 bytes

Command Mode

Privileged Exec

Command Usage

- Use the **sflow owner** command to create an owner instance of an sFlow collector. If the socket port, maximum datagram size, and datagram version are not specified, then the default values are used.

- Once an owner is created, the **sflow owner** command can again be used to modify the owner's port number. All other parameter values for the owner will be retained if the port is modified.
- Use the **no sflow owner** command to remove the collector.
- When the **sflow owner** command is issued, its associated timeout value will immediately begin to count down. Once the timeout value has reached zero seconds, the sFlow owner and its associated sampling sources will be deleted from the configuration.

Example

This example shows an sflow collector being created on the switch.

```
Console#sflow owner stat_server1 timeout 100 destination 192.168.220.225 port
22500 max-datagram-size 512 version v5
Console#
```

This example shows how to modify the sFlow port number for an already configured collector.

```
Console#sflow owner stat_server1 timeout 100 port 35100
Console#
```

sflow polling instance

This command enables an sFlow polling data source, for a specified interface, that polls periodically based on a specified time interval. Use the **no** form to remove the polling data source instance from the switch's sFlow configuration.

Syntax

```
sflow polling {interface interface} instance instance-id receiver owner-name
polling-interval seconds
```

```
no sflow polling {interface interface} instance instance-id
```

interface - The source from which the samples will be taken at specified intervals and sent to a collector.

ethernet *unit/port*

unit - Unit identifier.

port - Port number.

instance-id - An instance ID used to identify the sampling source. (Range: 1)

owner-name - The associated receiver, to which the samples will be sent. (Range: 1-30 alphanumeric characters)

polling-interval - The time interval at which the sFlow process adds counter values to the sample datagram. (Range: 1-10000000 seconds, 0 disables this feature)

Default Setting

No sFlow polling instance is configured.

Command Mode

Privileged Exec

Command Usage

This command enables a polling data source and configures the interval at which counter values are added to the sample datagram.

Example

This example sets the polling interval to 10 seconds.

```
Console#sflow polling interface ethernet 1/9 instance 1 receiver owner1
      polling-interval 10
Console#
```

sflow sampling instance

This command enables an sFlow data source instance for a specific interface that takes samples periodically based on the number of packets processed. Use the **no** form to remove the sampling data source instance from the switch's sFlow configuration.

Syntax

```
sflow sampling {interface interface} instance instance-id receiver owner-name
sampling-rate sample-rate
[max-header-size max-header-size]
```

```
no sflow sample {interface interface} instance instance-id
```

interface - The source from which the samples will be taken and sent to a collector.

ethernet *unit/port*

unit - Unit identifier.

port - Port number.

instance-id - An instance ID used to identify the sampling source. (Range: 1)

owner-name - The associated receiver, to which the samples will be sent. (Range: 1-30 alphanumeric characters)

sample-rate - The packet sampling rate, or the number of packets out of which one sample will be taken. (Range: 256-16777215 packets)

max-header-size - The maximum size of the sFlow datagram header.
(Range: 64-256 bytes)

Default Setting

No sFlow sampling instance id configured.
Maximum Header Size: 128 bytes

Command Mode

Privileged Exec

Example

This example enables a sampling data source on Ethernet interface 1/1, an associated receiver named "owner1", and a sampling rate of one out of 100. The maximum header size is also set to 200 bytes.

```
Console# sflow sampling interface ethernet 1/1 instance 1 receiver owner1
sampling-rate 100 max-header-size 200
Console#
```

The following command removes a sampling data source from Ethernet interface 1/1.

```
Console# no sflow sampling interface ethernet 1/1 instance 1
Console#
```

show sflow This command shows the global and interface settings for the sFlow process.

Syntax

```
show sflow [owner owner-name | interface interface]
```

owner-name - The associated receiver, to which the samples are sent.
(Range: 1-30 alphanumeric characters)

interface

ethernet *unit/port*

unit - Unit identifier.

port - Port number.

Command Mode

Privileged Exec

Example

```
Console#show sflow interface ethernet 1/2

Receiver Owner Name   : stat1
```

```
Receiver Timeout      : 99633 sec
Receiver Destination : 192.168.32.32
Receiver Socket Port : 6343
Maximum Datagram Size : 1400 bytes
Datagram Version     : 4

Data Source          : Eth 1/2
Sampling Instance ID : 1
Sampling Rate        : 512
Maximum Header Size  : 128 bytes
```

Console#

9

Authentication Commands

You can configure this switch to authenticate users logging into the system for management access using local or remote authentication methods. Port-based authentication using IEEE 802.1X can also be configured to control either management access to the uplink ports or client access³ to the data ports.

Table 27: Authentication Commands

Command Group	Function
User Accounts and Privilege Levels	Configures the basic user names and passwords for management access, and assigns a privilege level to specified command groups or individual commands
Authentication Sequence	Defines logon authentication method and precedence
RADIUS Client	Configures settings for authentication via a RADIUS server
TACACS+ Client	Configures settings for authentication via a TACACS+ server
AAA	Configures authentication, authorization, and accounting for network access
Web Server	Enables management access via a web browser
Telnet Server	Enables management access via Telnet
Secure Shell	Provides secure replacement for Telnet
802.1X Port Authentication	Configures host authentication on specific ports using 802.1X
Management IP Filter	Configures IP addresses that are allowed management access
PPPoE Intermediate Agent	Configures relay parameters required for sending authentication messages between a client and broadband remote access servers

3. For other methods of controlling client access, see [“General Security Measures” on page 245](#).

User Accounts and Privilege Levels

The basic commands required for management access and assigning command privilege levels are listed in this section. This switch also includes other options for password checking via the console or a Telnet connection (page 94), user authentication via a remote authentication server (page 176), and host access authentication for specific ports (page 219).

Table 28: User Access Commands

Command	Function	Mode
<code>enable password</code>	Sets a password to control access to the Privileged Exec level	GC
<code>username</code>	Establishes a user name-based authentication system at login	GC
<code>privilege</code>	Assigns a privilege level to specified command groups or individual commands	GC
<code>show privilege</code>	Shows the privilege level for the current user, or the privilege level for commands modified by the <code>privilege</code> command	PE

enable password After initially logging onto the system, you should set the Privileged Exec password. Remember to record it in a safe place. This command controls access to the Privileged Exec level from the Normal Exec level. Use the **no** form to reset the default password.

Syntax

`enable password [level level] {0 | 7} password`

`no enable password [level level]`

level *level* - Sets the command access privileges. (Range: 0-15)

Level 0, 8 and 15 are designed for users (guest), managers (network maintenance), and administrators (top-level access). The other levels can be used to configured specialized access profiles.

Level 0-7 provide the same default access privileges, all within Normal Exec mode under the "Console>" command prompt.

Level 8-14 provide the same default access privileges, including additional commands in Normal Exec mode, and a subset of commands in Privileged Exec mode under the "Console#" command prompt.

Level 15 provides full access to all commands.

The privilege level associated with any command can be changed using the `privilege` command.

{0 | 7} - 0 means plain password, 7 means encrypted password.

password - Password for this privilege level.

(Maximum length: 32 characters plain text or encrypted, case sensitive)

Default Setting

The default is level 15.

The default password is “super”

Command Mode

Global Configuration

Command Usage

- You cannot set a null password. You will have to enter a password to change the command mode from Normal Exec to Privileged Exec with the `enable` command.
- The encrypted password is required for compatibility with legacy password settings (i.e., plain text or encrypted) when reading the configuration file during system bootup or when downloading the configuration file from an FTP server. There is no need for you to manually configure encrypted passwords.

Example

```
Console(config)#enable password level 15 0 admin
Console(config)#
```

username This command adds named users, requires authentication at login, specifies or changes a user's password (or specify that no password is required), or specifies or changes a user's access level. Use the **no** form to remove a user name.

Syntax

```
username name {access-level level | nopassword |  
password {0 | 7} password}
```

```
no username name
```

name - The name of the user. (Maximum length: 32 characters, case sensitive. Maximum users: 16)

The device has two predefined users, **guest** which is assigned privilege level **0** (Normal Exec) and has access to a limited number of commands, and **admin** which is assigned privilege level 15 and has full access to all commands.

access-level *level* - Specifies command access privileges. (Range: 0-15)

Level 0, 8 and 15 are designed for users (guest), managers (network maintenance), and administrators (top-level access). The other levels can be used to configured specialized access profiles.

Level 0-7 provide the same default access privileges, all within Normal Exec mode under the “Console>” command prompt.

Level 8-14 provide the same default access privileges, including additional commands in Normal Exec mode, and a subset of commands in Privileged Exec mode under the “Console#” command prompt.

Level 15 provides full access to all commands.

The privilege level associated with any command can be changed using the `privilege` command.

Any privilege level can access all of the commands assigned to lower privilege levels. For example, privilege level 8 can access all commands assigned to privilege levels 7-0 according to default settings, and to any other commands assigned to levels 7-0 using the `privilege` command.

nopassword - No password is required for this user to log in.

{0 | 7} - 0 means plain password, 7 means encrypted password.

password *password* - The authentication password for the user. (Maximum length: 32 characters plain text or encrypted, case sensitive)

Default Setting

The default access level is 0 (Normal Exec).

The factory defaults for the user names and passwords are:

Table 29: Default Login Settings

username	access-level	password
guest	0	guest
admin	15	admin

Command Mode

Global Configuration

Command Usage

The encrypted password is required for compatibility with legacy password settings (i.e., plain text or encrypted) when reading the configuration file during system bootup or when downloading the configuration file from an FTP server. There is no need for you to manually configure encrypted passwords.

Example

This example shows how to set the access level and password for a user.

```
Console(config)#username bob access-level 15
Console(config)#username bob password 0 smith
Console(config)#
```

privilege This command assigns a privilege level to specified command groups or individual commands. Use the **no** form to restore the default setting.

Syntax

privilege *mode* [**all**] **level** *level* *command*

no privilege *mode* [**all**] *command*

mode - The configuration mode containing the specified *command*. (See “Understanding Command Modes” on page 34 and “Configuration Commands” on page 35.)

all - Modifies the privilege level for all subcommands under the specified *command*.

level *level* - Specifies the privilege level for the specified *command*. Refer to the default settings described for the access level parameter under the **username** command. (Range: 0-15)

command - Specifies any command contained within the specified *mode*.

Default Setting

Privilege level 0 provides access to a limited number of the commands which display the current status of the switch, as well as several database clear and reset functions. Level 8 provides access to all display status and configuration commands, except for those controlling various authentication and security features. Level 15 provides full access to all commands.

Command Mode

Global Configuration

Example

This example sets the privilege level for the ping command to Privileged Exec.

```
Console(config)#privilege exec level 15 ping
Console(config)#
```

show privilege This command shows the privilege level for the current user, or the privilege level for commands modified by the **privilege** command.

Syntax

show privilege [**command**]

command - Displays the privilege level for all commands modified by the **privilege** command.

Command Mode

Privileged Exec

Example

This example shows the privilege level for any command modified by the `privilege` command.

```
Console#show privilege command
privilege line all level 0 accounting
privilege exec level 15 ping
Console(config)#
```

Authentication Sequence

Three authentication methods can be specified to authenticate users logging into the system for management access. The commands in this section can be used to define the authentication method and sequence.

Table 30: Authentication Sequence Commands

Command	Function	Mode
<code>authentication enable</code>	Defines the authentication method and precedence for command mode change	GC
<code>authentication login</code>	Defines logon authentication method and precedence	GC

authentication enable This command defines the authentication method and precedence to use when changing from Exec command mode to Privileged Exec command mode with the `enable` command. Use the **no** form to restore the default.

Syntax

`authentication enable` {[local] [radius] [tacacs]}

`no authentication enable`

local - Use local password only.

radius - Use RADIUS server password only.

tacacs - Use TACACS server password.

Default Setting

Local

Command Mode

Global Configuration

Command Usage

- RADIUS uses UDP while TACACS+ uses TCP. UDP only offers best effort delivery, while TCP offers a connection-oriented transport. Also, note that RADIUS encrypts only the password in the access-request packet from the client to the server, while TACACS+ encrypts the entire body of the packet.

- RADIUS and TACACS+ logon authentication assigns a specific privilege level for each user name and password pair. The user name, password, and privilege level must be configured on the authentication server.
- You can specify three authentication methods in a single command to indicate the authentication sequence. For example, if you enter “**authentication enable radius tacacs local**,” the user name and password on the RADIUS server is verified first. If the RADIUS server is not available, then authentication is attempted on the TACACS+ server. If the TACACS+ server is not available, the local user name and password is checked.
- Use the **enable password** command to set the password for changing command modes.

Example

```
Console(config)#authentication enable radius  
Console(config)#
```

authentication login This command defines the login authentication method and precedence. Use the **no** form to restore the default.

Syntax

authentication login {[local] [radius] [tacacs]}

no authentication login

local - Use local password.

radius - Use RADIUS server password.

tacacs - Use TACACS server password.

Default Setting

Local

Command Mode

Global Configuration

Command Usage

- RADIUS uses UDP while TACACS+ uses TCP. UDP only offers best effort delivery, while TCP offers a connection-oriented transport. Also, note that RADIUS encrypts only the password in the access-request packet from the client to the server, while TACACS+ encrypts the entire body of the packet.
- RADIUS and TACACS+ logon authentication assigns a specific privilege level for each user name and password pair. The user name, password, and privilege level must be configured on the authentication server.

- You can specify three authentication methods in a single command to indicate the authentication sequence. For example, if you enter “**authentication login radius tacacs local**,” the user name and password on the RADIUS server is verified first. If the RADIUS server is not available, then authentication is attempted on the TACACS+ server. If the TACACS+ server is not available, the local user name and password is checked.

Example

```
Console(config)#authentication login radius
Console(config)#
```

RADIUS Client

Remote Authentication Dial-in User Service (RADIUS) is a logon authentication protocol that uses software running on a central server to control access to RADIUS-aware devices on the network. An authentication server contains a database of multiple user name/password pairs with associated privilege levels for each user or group that require management access to a switch.

Table 31: RADIUS Client Commands

Command	Function	Mode
<code>radius-server acct-port</code>	Sets the RADIUS server network port	GC
<code>radius-server auth-port</code>	Sets the RADIUS server network port	GC
<code>radius-server host</code>	Specifies the RADIUS server	GC
<code>radius-server key</code>	Sets the RADIUS encryption key	GC
<code>radius-server encrypted-key</code>	Sets the RADIUS encryption key sent in encrypted text	GC
<code>radius-server retransmit</code>	Sets the number of retries	GC
<code>radius-server timeout</code>	Sets the interval between sending authentication requests	GC
<code>radius-server type radsec</code>	Enables RADIUS using Transport Layer Security (TLS) over TCP for additional security	GC
<code>show radius-server</code>	Shows the current RADIUS settings	PE

radius-server acct-port This command sets the RADIUS server network port for accounting messages. Use the **no** form to restore the default.

Syntax

`radius-server acct-port` *port-number*

`no radius-server acct-port`

port-number - RADIUS server UDP port used for accounting messages.
(Range: 1-65535)

Default Setting

1813

Command Mode

Global Configuration

Example

```
Console(config)#radius-server acct-port 181
Console(config)#
```

radius-server acct-port This command sets the RADIUS server network port. Use the **no** form to restore the default.

Syntax

radius-server acct-port *port-number*

no radius-server acct-port

port-number - RADIUS server UDP port used for authentication messages.
(Range: 1-65535)

Default Setting

1812

Command Mode

Global Configuration

Example

```
Console(config)#radius-server auth-port 181
Console(config)#
```

radius-server host This command specifies primary and backup RADIUS servers, and authentication and accounting parameters that apply to each server. Use the **no** form to remove a specified server, or to restore the default values.

Syntax

[no] radius-server *index* **host** *host-ip-address* [**acct-port** *acct-port*] [**auth-port** *auth-port*] [**key** *key*] [**retransmit** *retransmit*] [**timeout** *timeout*]

index - Allows you to specify up to five servers. These servers are queried in sequence until a server responds or the retransmit period expires.

host-ip-address - IP address of server.

acct-port - RADIUS server UDP port used for accounting messages.
(Range: 1-65535)

auth-port - RADIUS server UDP port used for authentication messages.
(Range: 1-65535)

key - Encryption key used to authenticate logon access for client. Enclose any string containing blank spaces in double quotes.
(Maximum length: 48 characters)

retransmit - Number of times the switch will try to authenticate logon access via the RADIUS server. (Range: 1-30)

timeout - Number of seconds the switch waits for a reply before resending a request. (Range: 1-65535)

Default Setting

auth-port - 1812

acct-port - 1813

timeout - 5 seconds

retransmit - 2

Command Mode

Global Configuration

Example

```
Console(config)#radius-server 1 host 192.168.1.20 auth-port 181 timeout 10
retransmit 5 key green
Console(config)#
```

radius-server key This command sets the RADIUS encryption key. Use the **no** form to restore the default.

Syntax

radius-server key *key-string*

no radius-server key

key-string - Encryption key used to authenticate logon access for client. Enclose any string containing blank spaces in double quotes.
(Maximum length: 48 characters)

Default Setting

None

Command Mode

Global Configuration

Example

```
Console(config)#radius-server key green
Console(config)#
```

radius-server encrypted-key This command sets the RADIUS encryption key to be sent in encrypted text. Use the **no** form to restore the default.

Syntax

radius-server key *key-string*

no radius-server key

key-string - Encryption key sent in encrypted text and used to authenticate logon access for client. Enclose any character string using ASCII characters "A-Z" or "a-z". (Maximum length: 48 characters)

Default Setting

None

Command Mode

Global Configuration

Example

```
Console(config)#radius-server encrypted-key green  
Console(config)#
```

radius-server retransmit This command sets the number of retries. Use the **no** form to restore the default.

Syntax

radius-server retransmit *number-of-retries*

no radius-server retransmit

number-of-retries - Number of times the switch will try to authenticate logon access via the RADIUS server. (Range: 1 - 30)

Default Setting

2

Command Mode

Global Configuration

Example

```
Console(config)#radius-server retransmit 5  
Console(config)#
```

radius-server timeout This command sets the interval between transmitting authentication requests to the RADIUS server. Use the **no** form to restore the default.

Syntax

radius-server timeout *number-of-seconds*

no radius-server timeout

number-of-seconds - Number of seconds the switch waits for a reply before resending a request. (Range: 1-65535)

Default Setting

5

Command Mode

Global Configuration

Example

```
Console(config)#radius-server timeout 10  
Console(config)#
```

radius-server type radsec This command enables RADIUS using Transport Layer Security (TLS) over TCP for additional security. Use the **no** form to disable the feature.

Syntax

[no] radius-server type radsec

Default Setting

Disabled

Command Mode

Global Configuration

Command Usage

This command changes communications to a secure RADIUS message exchange (RFC 6614). The switch uses Transport Layer Security (TLS) over TCP as the transport protocol for RADIUS messages, and will dynamically trust relationships between RADIUS servers.

Example

```
Console(config)#radius-server type radsec  
Console(config)#
```

show radius-server This command displays the current settings for the RADIUS server.

Default Setting

None

Command Mode

Privileged Exec

Example

```
Console#show radius-server

Remote RADIUS Server Configuration:

Global Settings:
Authentication Port Number : 1812
Accounting Port Number    : 1813
Retransmit Times         : 2
Request Timeout          : 5
Radsec                   : No

Server 1:
Server IP Address        : 192.168.1.1
Authentication Port Number : 1812
Accounting Port Number    : 1813
Retransmit Times         : 2
Request Timeout          : 5
Radsec                   : No

RADIUS Server Group:
Group Name                Member Index
-----
radius                    1
Console#
```

TACACS+ Client

Terminal Access Controller Access Control System (TACACS+) is a logon authentication protocol that uses software running on a central server to control access to TACACS-aware devices on the network. An authentication server contains a database of multiple user name/password pairs with associated privilege levels for each user or group that require management access to a switch.

Table 32: TACACS+ Client Commands

Command	Function	Mode
tacacs-server host	Specifies the TACACS+ server and optional parameters	GC
tacacs-server key	Sets the TACACS+ encryption key	GC
tacacs-server encrypted-key	Sets the TACACS+ encryption key sent in encrypted text	GC
tacacs-server port	Specifies the TACACS+ server network port	GC
tacacs-server retransmit	Sets the number of retries	GC

Table 32: TACACS+ Client Commands

Command	Function	Mode
<code>tacacs-server timeout</code>	Sets the interval between sending authentication requests	GC
<code>show tacacs-server</code>	Shows the current TACACS+ settings	GC

tacacs-server host This command specifies the TACACS+ server and other optional parameters. Use the **no** form to remove the server, or to restore the default values.

Syntax

tacacs-server *index* **host** *host-ip-address* [**key** *key*] [**port** *port-number*] [**retransmit** *retransmit*] [**timeout** *timeout*]

no tacacs-server *index*

index - The index for this server. (Range: 1-5)

host-ip-address - IP address of a TACACS+ server.

key - Encryption key used to authenticate logon access for the client. Enclose any string containing blank spaces in double quotes. (Maximum length: 48 characters)

port-number - TACACS+ server TCP port used for authentication messages. (Range: 1-65535)

retransmit - Number of times the switch will try to authenticate logon access via the TACACS+ server. (Range: 1-30)

timeout - Number of seconds the switch waits for a reply before resending a request. (Range: 1-540)

Default Setting

authentication port - 49

timeout - 5 seconds

retransmit - 2

Command Mode

Global Configuration

Example

```
Console(config)#tacacs-server 1 host 192.168.1.25 port 181 timeout 10
retransmit 5 key green
Console(config)#
```

tacacs-server key This command sets the TACACS+ encryption key. Use the **no** form to restore the default.

Syntax

tacacs-server key *key-string*

no tacacs-server key

key-string - Encryption key used to authenticate logon access for the client. Enclose any string containing blank spaces in double quotes. (Maximum length: 48 characters)

Default Setting

None

Command Mode

Global Configuration

Example

```
Console(config)#tacacs-server key green  
Console(config)#
```

tacacs-server encrypted-key This command sets the TACACS+ encryption key to be sent in encrypted text. Use the **no** form to restore the default.

Syntax

tacacs-server encrypted-key *key-string*

no tacacs-server encrypted-key

key-string - Encryption key sent in encrypted text and used to authenticate logon access for client. Enclose any character string using ASCII characters "A-Z" or "a-z". (Maximum length: 48 characters)

Default Setting

None

Command Mode

Global Configuration

Example

```
Console(config)#tacacs-server encrypted-key green  
Console(config)#
```

tacacs-server port This command specifies the TACACS+ server network port. Use the **no** form to restore the default.

Syntax

tacacs-server port *port-number*

no tacacs-server port

port-number - TACACS+ server TCP port used for authentication messages.
(Range: 1-65535)

Default Setting

49

Command Mode

Global Configuration

Example

```
Console(config)#tacacs-server port 181
Console(config)#
```

tacacs-server retransmit This command sets the number of retries. Use the **no** form to restore the default.

Syntax

tacacs-server retransmit *number-of-retries*

no tacacs-server retransmit

number-of-retries - Number of times the switch will try to authenticate logon access via the TACACS+ server. (Range: 1 - 30)

Default Setting

2

Command Mode

Global Configuration

Example

```
Console(config)#tacacs-server retransmit 5
Console(config)#
```

tacacs-server timeout This command sets the interval between transmitting authentication requests to the TACACS+ server. Use the **no** form to restore the default.

Syntax

tacacs-server timeout *number-of-seconds*

no tacacs-server timeout

number-of-seconds - Number of seconds the switch waits for a reply before resending a request. (Range: 1-540)

Default Setting

5

Command Mode

Global Configuration

Example

```
Console(config)#tacacs-server timeout 10
Console(config)#
```

show tacacs-server This command displays the current settings for the TACACS+ server.

Default Setting

None

Command Mode

Privileged Exec

Example

```
Console#show tacacs-server

Remote TACACS+ Server Configuration:

Global Settings:
  Server Port Number : 49
  Retransmit Times   : 2
  Timeout            : 5

Server 1:
  Server IP Address  : 10.11.12.13
  Server Port Number : 49
  Retransmit Times   : 2
  Timeout            : 4

TACACS+ Server Group:
Group Name          Member Index
-----
tacacs+             1
Console#
```


AAA

The Authentication, Authorization, and Accounting (AAA) feature provides the main framework for configuring access control on the switch. The AAA functions require the use of configured RADIUS or TACACS+ servers in the network.

Table 33: AAA Commands

Command	Function	Mode
<code>aaa accounting commands</code>	Enables accounting of Exec mode commands	GC
<code>aaa accounting dot1x</code>	Enables accounting of 802.1X services	GC
<code>aaa accounting exec</code>	Enables accounting of Exec services	GC
<code>aaa accounting update</code>	Enables periodic updates to be sent to the accounting server	GC
<code>aaa authorization commands</code>	Enables authorization of Exec mode commands	GC
<code>aaa authorization without-server</code>	Allows Exec mode commands when the TACACS+ server is disconnected	GC
<code>aaa authorization exec</code>	Enables authorization of Exec sessions	GC
<code>aaa group server</code>	Groups security servers in to defined lists	GC
<code>server</code>	Configures the IP address of a server in a group list	SG
<code>accounting dot1x</code>	Applies an accounting method to an interface for 802.1X service requests	IC
<code>accounting commands</code>	Applies an accounting method to CLI commands entered by a user	Line
<code>accounting exec</code>	Applies an accounting method to local console, Telnet or SSH connections	Line
<code>authorization commands</code>	Applies an authorization method to CLI commands entered by a user	Line
<code>authorization exec</code>	Applies an authorization method to local console, Telnet or SSH connections	Line
<code>show accounting</code>	Displays all accounting information	PE
<code>show authorization</code>	Displays all authorization information	PE

aaa accounting commands This command enables the accounting of Exec mode commands. Use the **no** form to disable the accounting service.

Syntax

```
aaa accounting commands level {default | method-name} start-stop group
{tacacs+ | server-group}
```

```
no aaa accounting commands level {default | method-name}
```

level - The privilege level for executing commands. (Range: 0-15)

default - Specifies the default accounting method for service requests.

method-name - Specifies an accounting method for service requests.
(Range: 1-64 characters)

start-stop - Records accounting from starting point and stopping point.

group - Specifies the server group to use.

tacacs+ - Specifies all TACACS+ hosts configured with the **tacacs-server host** command.

server-group - Specifies the name of a server group configured with the **aaa group server** command. (Range: 1-64 characters)

Default Setting

Accounting is not enabled

No servers are specified

Command Mode

Global Configuration

Command Usage

- The accounting of Exec mode commands is only supported by TACACS+ servers.
- Note that the **default** and *method-name* fields are only used to describe the accounting method(s) configured on the specified TACACS+ server, and do not actually send any information to the server about the methods to use.

Example

```
Console(config)#aaa accounting commands 15 default start-stop group tacacs+
Console(config)#
```

aaa accounting dot1x This command enables the accounting of requested 802.1X services for network access. Use the **no** form to disable the accounting service.

Syntax

aaa accounting dot1x {**default** | *method-name*}

start-stop group {**radius** | **tacacs+** | *server-group*}

no aaa accounting dot1x {**default** | *method-name*}

default - Specifies the default accounting method for service requests.

method-name - Specifies an accounting method for service requests.
(Range: 1-64 characters)

start-stop - Records accounting from starting point and stopping point.

group - Specifies the server group to use.

radius - Specifies all RADIUS hosts configure with the [radius-server host](#) command.

tacacs+ - Specifies all TACACS+ hosts configure with the [tacacs-server host](#) command.

server-group - Specifies the name of a server group configured with the [aaa group server](#) command. (Range: 1-64 characters)

Default Setting

Accounting is not enabled

No servers are specified

Command Mode

Global Configuration

Command Usage

Note that the **default** and *method-name* fields are only used to describe the accounting method(s) configured on the specified RADIUS or TACACS+ servers, and do not actually send any information to the servers about the methods to use.

Example

```
Console(config)#aaa accounting dot1x default start-stop group radius
Console(config)#
```

aaa accounting exec This command enables the accounting of requested Exec services for network access. Use the **no** form to disable the accounting service.

Syntax

```
aaa accounting exec {default | method-name}
start-stop group {radius | tacacs+ | server-group}
no aaa accounting exec {default | method-name}
```

default - Specifies the default accounting method for service requests.

method-name - Specifies an accounting method for service requests.
(Range: 1-64 characters)

start-stop - Records accounting from starting point and stopping point.

group - Specifies the server group to use.

radius - Specifies all RADIUS hosts configure with the [radius-server host](#) command.

tacacs+ - Specifies all TACACS+ hosts configure with the [tacacs-server host](#) command.

server-group - Specifies the name of a server group configured with the [aaa group server](#) command. (Range: 1-64 characters)

Default Setting

Accounting is not enabled
No servers are specified

Command Mode

Global Configuration

Command Usage

- This command runs accounting for Exec service requests for the local console and Telnet connections.
- Note that the **default** and *method-name* fields are only used to describe the accounting method(s) configured on the specified RADIUS or TACACS+ servers, and do not actually send any information to the servers about the methods to use.

Example

```
Console(config)#aaa accounting exec default start-stop group tacacs+  
Console(config)#
```

aaa accounting update This command enables the sending of periodic updates to the accounting server. Use the **no** form to disable accounting updates.

Syntax

aaa accounting update [*periodic interval*]

no aaa accounting update

interval - Sends an interim accounting record to the server at this interval.
(Range: 1-2147483647 minutes)

Default Setting

1 minute

Command Mode

Global Configuration

Command Usage

- When accounting updates are enabled, the switch issues periodic interim accounting records for all users on the system.
- Using the command without specifying an interim interval enables updates, but does not change the current interval setting.

Example

```
Console(config)#aaa accounting update periodic 30
Console(config)#
```

aaa authorization commands This command enables the authorization of Exec mode commands. Use the **no** form to disable the authorization service.

Syntax

aaa authorization commands *level* {**default** | *method-name*} **group** {**tacacs+** | *server-group*}

no aaa authorization commands *level* {**default** | *method-name*}

level - The privilege level for executing commands. (Range: 0-15)

default - Specifies the default authorization method for service requests.

method-name - Specifies an authorization method for service requests.
(Range: 1-64 characters)

group - Specifies the server group to use.

tacacs+ - Specifies all TACACS+ hosts configured with the [tacacs-server host](#) command.

server-group - Specifies the name of a server group configured with the [aaa group server](#) command. (Range: 1-64 characters)

Default Setting

Authorization is not enabled
No servers are specified

Command Mode

Global Configuration

Command Usage

- The authorization of Exec mode commands is only supported by TACACS+ servers.
- Note that the **default** and *method-name* fields are only used to describe the authorization method(s) configured on the specified TACACS+ server, and do not actually send any information to the server about the methods to use.

Example

```
Console(config)#aaa authorization commands 15 default group tacacs+
Console(config)#
```

aaa authorization without-server This command enables commands to be executed when the TACACS+ server is disconnected. Use the **no** form to disable the feature.

Syntax

```
[no] aaa authorization without-server
```

Default Setting

Disabled

Command Mode

Global Configuration

Command Usage

When this feature is enabled, users can continue to execute commands when the TACACS+ server is unreachable and no authorization is required.

Example

```
Console(config)#aaa authorization without-server  
Console(config)#
```

aaa authorization exec This command enables the authorization for Exec access. Use the **no** form to disable the authorization service.

Syntax

```
aaa authorization exec {default | method-name}  
group {tacacs+ | server-group}
```

```
no aaa authorization exec {default | method-name}
```

default - Specifies the default authorization method for Exec access.

method-name - Specifies an authorization method for Exec access.
(Range: 1-64 characters)

group - Specifies the server group to use.

tacacs+ - Specifies all TACACS+ hosts configured with the [tacacs-server host](#) command.

server-group - Specifies the name of a server group configured with the [aaa group server](#) command. (Range: 1-64 characters)

Default Setting

Authorization is not enabled
No servers are specified

Command Mode

Global Configuration

Command Usage

- This command performs authorization to determine if a user is allowed to run an Exec shell for local console, Telnet, or SSH connections.
- AAA authentication must be enabled before authorization is enabled.
- If this command is issued without a specified named method, the default method list is applied to all interfaces or lines (where this authorization type applies), except those that have a named method explicitly defined.

Example

```
Console(config)#aaa authorization exec default group tacacs+
Console(config)#
```

aaa group server Use this command to name a group of security server hosts. To remove a server group from the configuration list, enter the **no** form of this command.

Syntax

[no] aaa group server {radius | tacacs+} group-name

radius - Defines a RADIUS server group.

tacacs+ - Defines a TACACS+ server group.

group-name - A text string that names a security server group.
(Range: 1-64 characters)

Default Setting

None

Command Mode

Global Configuration

Example

```
Console(config)#aaa group server radius tps
Console(config-sg-radius)#
```

server This command adds a security server to an AAA server group. Use the **no** form to remove the associated server from the group.

Syntax

[no] server {index | ip-address}

index - Specifies the server index. (Range: RADIUS 1-5, TACACS+ 1)

ip-address - Specifies the host IP address of a server.

Default Setting

None

Command Mode

Server Group Configuration

Command Usage

- When specifying the index for a RADIUS server, that server index must already be defined by the [radius-server host](#) command.
- When specifying the index for a TACACS+ server, that server index must already be defined by the [tacacs-server host](#) command.

Example

```
Console(config)#aaa group server radius tps
Console(config-sg-radius)#server 10.2.68.120
Console(config-sg-radius)#
```

accounting dot1x This command applies an accounting method for 802.1X service requests on an interface. Use the **no** form to disable accounting on the interface.

Syntax

accounting dot1x {**default** | *list-name*}

no accounting dot1x

default - Specifies the default method list created with the [aaa accounting dot1x](#) command.

list-name - Specifies a method list created with the [aaa accounting dot1x](#) command.

Default Setting

None

Command Mode

Interface Configuration

Example

```
Console(config)#interface ethernet 1/2
Console(config-if)#accounting dot1x tps
Console(config-if)#
```


accounting commands This command applies an accounting method to entered CLI commands. Use the **no** form to disable accounting for entered CLI commands.

Syntax

accounting commands *level* {**default** | *list-name*}

no accounting commands *level*

level - The privilege level for executing commands. (Range: 0-15)

default - Specifies the default method list created with the [aaa accounting commands](#) command.

list-name - Specifies a method list created with the [aaa accounting commands](#) command.

Default Setting

None

Command Mode

Line Configuration

Example

```
Console(config)#line console
Console(config-line)#accounting commands 15 default
Console(config-line)#
```

accounting exec This command applies an accounting method to local console, Telnet or SSH connections. Use the **no** form to disable accounting on the line.

Syntax

accounting exec {**default** | *list-name*}

no accounting exec

default - Specifies the default method list created with the [aaa accounting exec](#) command.

list-name - Specifies a method list created with the [aaa accounting exec](#) command.

Default Setting

None

Command Mode

Line Configuration

Example

```
Console(config)#line console
Console(config-line)#accounting exec tps
```

```
Console(config-line)#exit
Console(config)#line vty
Console(config-line)#accounting exec default
Console(config-line)#
```

authorization commands This command applies an authorization method to entered CLI commands. Use the **no** form to disable authorization for entered CLI commands.

Syntax

authorization commands *level* {**default** | *list-name*}

no authorization commands *level*

level - The privilege level for executing commands. (Range: 0-15)

default - Specifies the default method list created with the [aaa authorization commands](#) command.

list-name - Specifies a method list created with the [aaa authorization commands](#) command.

Default Setting

None

Command Mode

Line Configuration

Example

```
Console(config)#line console
Console(config-line)#authorization commands 15 default
Console(config-line)#
```

authorization exec This command applies an authorization method to local console, Telnet or SSH connections. Use the **no** form to disable authorization on the line.

Syntax

authorization exec {**default** | *list-name*}

no authorization exec

default - Specifies the default method list created with the [aaa authorization exec](#) command.

list-name - Specifies a method list created with the [aaa authorization exec](#) command.

Default Setting

None

Command Mode

Line Configuration

Example

```
Console(config)#line console
Console(config-line)#authorization exec tps
Console(config-line)#exit
Console(config)#line vty
Console(config-line)#authorization exec default
Console(config-line)#
```

show accounting This command displays the current accounting settings per function and per port.

Syntax

```
show accounting [commands [level]] |
[[dot1x [statistics [username user-name | interface interface]] | exec [statistics]
| statistics]
```

commands - Displays command accounting information.

level - Displays command accounting information for a specifiable command level.

dot1x - Displays dot1x accounting information.

exec - Displays Exec accounting records.

statistics - Displays accounting records.

user-name - Displays accounting records for a specifiable username.

interface

ethernet *unit/port*

unit - Unit identifier.

port - Port number.

Default Setting

None

Command Mode

Privileged Exec

Example

```
Console#show accounting
Accounting Type : dot1x
Method List    : default
Group List     : radius
Interface      : Eth 1/1
```

```
Method List : tps
Group List  : radius
Interface   : Eth 1/2

Accounting Type : EXEC
Method List    : default
Group List     : tacacs+
Interface      : vty

Accounting Type : Commands 0
Method List     : default
Group List      : tacacs+
Interface       :
:
Accounting Type : Commands 15
Method List     : default
Group List      : tacacs+
Interface       :

Console#
```

show authorization This command displays the current authorization settings per function and per port.

Syntax

```
show authorization
```

Default Setting

None

Command Mode

Privileged Exec

Example

```
Console#show authorization
Authorization Type : EXEC
Method List       : default
Group List        : tacacs+
Interface         : vty

Authorization Type : Commands 0
Method List       : default
Group List        : tacacs+
Interface         :
:
Authorization Type : Commands 15
Method List       : default
Group List        : tacacs+
Interface         :

without-server : Disable
Console#
```

Web Server

This section describes commands used to configure web browser management access to the switch.

Table 34: Web Server Commands

Command	Function	Mode
<code>ip http authentication</code>	Sets the method list for EXEC authorization of an EXEC session	GC
<code>ip http port</code>	Specifies the port to be used by the web browser interface	GC
<code>ip http server</code>	Allows the switch to be monitored or configured from a browser	GC
<code>ip http secure-port</code>	Specifies the TCP port number for HTTPS	GC
<code>ip http secure-server</code>	Enables HTTPS (HTTP/SSL) for encrypted communications	GC
<code>ip http timeout</code>	Specifies the HTTP/HTTPS web session timeout	GC
<code>show authorization</code>	Displays all authorization information	PE
<code>show system</code>	Displays system information	NE, PE



Note: Users are automatically logged off of the HTTP server or HTTPS server if no input is detected for 300 seconds.

ip http authentication This command specifies the method list for EXEC authorization for starting an EXEC session used by the web browser interface. Use the **no** form to use the default port.

Syntax

```
ip http authentication aaa exec-authorization {default | list-name}
```

```
no ip http authentication aaa exec-authorization
```

default - Specifies the default method list used for authorization requests.

list-name - Specifies a method list created with the [aaa authorization commands](#) command.

Default Setting

None

Command Mode

Global Configuration

Example

```
Console(config)#ip http authentication aaa exec-authorization default
Console(config)#
```

ip http port This command specifies the TCP port number used by the web browser interface. Use the **no** form to use the default port.

Syntax

ip http port *port-number*

no ip http port

port-number - The TCP port to be used by the browser interface.
(Range: 1-65535)

Default Setting

80

Command Mode

Global Configuration

Example

```
Console(config)#ip http port 769  
Console(config)#
```

ip http server This command allows this device to be monitored or configured from a browser. Use the **no** form to disable this function.

Syntax

[no] ip http server

Default Setting

Enabled

Command Mode

Global Configuration

Example

```
Console(config)#ip http server  
Console(config)#
```

ip http secure-port This command specifies the TCP port number used for HTTPS connection to the switch's web interface. Use the **no** form to restore the default port.

Syntax

ip http secure-port *port_number*

no ip http secure-port

port_number – The TCP port used for HTTPS. (Range: 1-65535, except for the following reserved ports: 1 and 25 - Linux kernel, 23 - Telnet, 80 - HTTP)

Default Setting

443

Command Mode

Global Configuration

Command Usage

- You cannot configure the HTTP and HTTPS servers to use the same port.
- If you change the HTTPS port number, clients attempting to connect to the HTTPS server must specify the port number in the URL, in this format: **https://device:port_number**

Example

```
Console(config)#ip http secure-port 1000
Console(config)#
```

ip http secure-server This command enables the secure hypertext transfer protocol (HTTPS) over the Secure Socket Layer (SSL), providing secure access (i.e., an encrypted connection) to the switch's web interface. Use the **no** form to disable this function.

Syntax

[no] ip http secure-server

Default Setting

Enabled

Command Mode

Global Configuration

Command Usage

- Both HTTP and HTTPS service can be enabled independently on the switch. However, you cannot configure the HTTP and HTTPS servers to use the same UDP port.

- If you enable HTTPS, you must indicate this in the URL that you specify in your browser: **https://device[:port_number]**
- When you start HTTPS, the connection is established in this way:
 - The client authenticates the server using the server’s digital certificate.
 - The client and server negotiate a set of security protocols to use for the connection.
 - The client and server generate session keys for encrypting and decrypting data.
- The client and server establish a secure encrypted connection.
A padlock icon should appear in the status bar for more recent browser versions.
- To specify a secure-site certificate, see “Replacing the Default Secure-site Certificate” in the *Web Management Guide*. Also refer to the [copy tftp https-certificate](#) command.
- Connection to the web interface is not supported for HTTPS using an IPv6 link local address.

Example

```
Console(config)#ip http secure-server  
Console(config)#
```

ip http timeout This command specifies the HTTP/HTTPS connection timeout for web interface sessions. Use the **no** form to restore the default setting.

Syntax

ip http timeout *seconds*

no ip http timeout

seconds – The timeout setting in seconds. (Range: 300-3600 seconds)

Default Setting

300 seconds

Command Mode

Global Configuration

Example

```
Console(config)#ip http timeout 600  
Console(config)#
```


Telnet Server

This section describes commands used to configure Telnet management access to the switch.

Table 35: Telnet Server Commands

Command	Function	Mode
<code>ip telnet max-sessions</code>	Specifies the maximum number of Telnet sessions that can simultaneously connect to this system	GC
<code>ip telnet port</code>	Specifies the port to be used by the Telnet interface	GC
<code>ip telnet server</code>	Allows the switch to be monitored or configured from Telnet	GC
<code>telnet (client)</code>	Accesses a remote device using a Telnet connection	PE
<code>show ip telnet</code>	Displays configuration settings for the Telnet server	PE



Note: This switch also supports a Telnet client function. A Telnet connection can be made from this switch to another device by entering the **telnet** command at the Privileged Exec configuration level.

ip telnet max-sessions This command specifies the maximum number of Telnet sessions that can simultaneously connect to this system. Use the **no** form to restore the default setting.

Syntax

`ip telnet max-sessions session-count`

`no ip telnet max-sessions`

session-count - The maximum number of allowed Telnet session.
(Range: 0-8)

Default Setting

8 sessions

Command Mode

Global Configuration

Command Usage

A maximum of eight sessions can be concurrently opened for Telnet and Secure Shell (i.e., both Telnet and SSH share a maximum number of eight sessions).

Example

```
Console(config)#ip telnet max-sessions 1
Console(config)#
```

ip telnet port This command specifies the TCP port number used by the Telnet interface. Use the **no** form to use the default port.

Syntax

ip telnet port *port-number*

no telnet port

port-number - The TCP port number to be used by the browser interface.
(Range: 1-65535)

Default Setting

23

Command Mode

Global Configuration

Example

```
Console(config)#ip telnet port 123
Console(config)#
```

ip telnet server This command allows this device to be monitored or configured from Telnet. Use the **no** form to disable this function.

Syntax

[no] ip telnet server

Default Setting

Enabled

Command Mode

Global Configuration

Example

```
Console(config)#ip telnet server
Console(config)#
```

telnet (client) This command accesses a remote device using a Telnet connection.

Syntax

telnet *host*

host - IP address or alias of a remote device.

Command Mode
Privileged Exec

Example

```

Console#telnet 192.168.2.254
Connect To 192.168.2.254...

*****

WARNING - MONITORED ACTIONS AND ACCESSES

User Access Verification

Username:

Console(config)#
    
```

show ip telnet This command displays the configuration settings for the Telnet server.

Command Mode
Normal Exec, Privileged Exec

Example

```

Console#show ip telnet
IP Telnet Configuration:

Telnet Status: Enabled
Telnet Service Port: 23
Telnet Max Session: 8
Console#
    
```

Secure Shell

This section describes the commands used to configure the SSH server. Note that you also need to install a SSH client on the management station when using this protocol to configure the switch.



Note: The switch supports only SSH Version 2.0 clients.

Table 36: Secure Shell Commands

Command	Function	Mode
<code>ip ssh authentication-retries</code>	Specifies the number of retries allowed by a client	GC
<code>ip ssh server</code>	Enables the SSH server on the switch	GC
<code>ip ssh timeout</code>	Specifies the authentication timeout for the SSH server	GC

Table 36: Secure Shell Commands (Continued)

Command	Function	Mode
<code>copy tftp public-key</code>	Copies the user's public key from a TFTP server to the switch	PE
<code>delete public-key</code>	Deletes the public key for the specified user	PE
<code>disconnect</code>	Terminates a line connection	PE
<code>ip ssh crypto host-key generate</code>	Generates the host key	PE
<code>ip ssh crypto zeroize</code>	Clears the host key from RAM	PE
<code>ip ssh save host-key</code>	Saves the host key from RAM to flash memory	PE
<code>show ip ssh</code>	Displays the status of the SSH server and the configured values for authentication timeout and retries	PE
<code>show public-key</code>	Shows the public key for the specified user or for the host	PE
<code>show ssh</code>	Displays the status of current SSH sessions	PE
<code>show users</code>	Shows SSH users, including privilege level and public key type	PE

Configuration Guidelines

The SSH server on this switch supports both password and public key authentication. If password authentication is specified by the SSH client, then the password can be authenticated either locally or via a RADIUS or TACACS+ remote authentication server, as specified by the `authentication login` command. If public key authentication is specified by the client, then you must configure authentication keys on both the client and the switch as described in the following section. Note that regardless of whether you use public key or password authentication, you still have to generate authentication keys on the switch and enable the SSH server.

To use the SSH server, complete these steps:

1. Generate a Host Key Pair – Use the `ip ssh crypto host-key generate` command to create a host public/private key pair.
2. Provide Host Public Key to Clients – Many SSH client programs automatically import the host public key during the initial connection setup with the switch. Otherwise, you need to manually create a known hosts file on the management station and place the host public key in it. An entry for a public key in the known hosts file would appear similar to the following example:

```
10.1.0.54 1024 35
15684995401867669259333946775054617325313674890836547254
15020245593199868544358361651999923329781766065830956
108259132128902337654680172627257141342876294130119619556678259566410
486957427888146206519417467729848654686157177393901647793559423035774
1309802273708779454524083971752646358058176716709574804776117
```

3. Import Client's Public Key to the Switch – Use the `copy tftp public-key` command to copy a file containing the public key for all the SSH client's granted management access to the switch. (Note that these clients must be configured locally on the switch with the `username` command.) The clients are subsequently authenticated using these keys. The current firmware only accepts public key files based on standard UNIX format as shown in the following example for an RSA key:

```
1024 35
134108168560989392104094492015542534763164192187295892114317388005553
616163105177594083868631109291232226828519254374603100937187721199696
317813662774141689851320491172048303392543241016379975923714490119380
060902539484084827178194372288402533115952134861022902978982721353267
131629432532818915045306393916643 steve@192.168.1.19
```

4. Set the Optional Parameters – Set other optional parameters, including the authentication timeout and the number of retries.
5. Enable SSH Service – Use the `ip ssh server` command to enable the SSH server on the switch.
6. *Authentication* – One of the following authentication methods is employed:

Password Authentication (for SSH V2 Clients)

- a. The client sends its password to the server.
- b. The switch compares the client's password to those stored in memory.
- c. If a match is found, the connection is allowed.



Note: To use SSH with only password authentication, the host public key must still be given to the client, either during initial connection or manually entered into the known host file. However, you do not need to configure the client's keys.

Public Key Authentication – When an SSH client attempts to contact the switch, the SSH server uses the host key pair to negotiate a session key and encryption method. Only clients that have a private key corresponding to the public keys stored on the switch can access it. The following exchanges take place during this process:

Authenticating SSH v2 Clients

- a. The client first queries the switch to determine if public key authentication using a preferred algorithm is acceptable.
- b. If the specified algorithm is supported by the switch, it notifies the client to proceed with the authentication process. Otherwise, it rejects the request.
- c. The client sends a signature generated using the private key to the switch.
- d. When the server receives this message, it checks whether the supplied key is acceptable for authentication, and if so, it then checks whether the signature is correct. If both checks succeed, the client is authenticated.



Note: The SSH server supports up to eight client sessions. The maximum number of client sessions includes both current Telnet sessions and SSH sessions.

Note: The SSH server can be accessed using any configured IPv4 or IPv6 interface address on the switch.

ip ssh authentication-retries

This command configures the number of times the SSH server attempts to reauthenticate a user. Use the **no** form to restore the default setting.

Syntax

ip ssh authentication-retries *count*

no ip ssh authentication-retries

count – The number of authentication attempts permitted after which the interface is reset. (Range: 1-5)

Default Setting

3

Command Mode

Global Configuration

Example

```
Console(config)#ip ssh authentication-retries 2  
Console(config)#
```

ip ssh server

This command enables the Secure Shell (SSH) server on this switch. Use the **no** form to disable this service.

Syntax

[no] ip ssh server

Default Setting

Disabled

Command Mode

Global Configuration

Command Usage

- The SSH server supports up to eight client sessions. The maximum number of client sessions includes both current Telnet sessions and SSH sessions.

- The SSH server uses RSA for key exchange when the client first establishes a connection with the switch, and then negotiates with the client to select either DES (56-bit) or 3DES (168-bit) for data encryption.
- You must generate RSA host keys before enabling the SSH server.

Example

```
Console#ip ssh crypto host-key generate
Console#configure
Console(config)#ip ssh server
Console(config)#
```

ip ssh timeout This command configures the timeout for the SSH server. Use the **no** form to restore the default setting.

Syntax

ip ssh timeout *seconds*

no ip ssh timeout

seconds – The timeout for client response during SSH negotiation.
(Range: 1-120)

Default Setting

120 seconds

Command Mode

Global Configuration

Command Usage

The **timeout** specifies the interval the switch will wait for a response from the client during the SSH negotiation phase. Once an SSH session has been established, the timeout for user input is controlled by the [exec-timeout](#) command for vty sessions.

Example

```
Console(config)#ip ssh timeout 60
Console(config)#
```

delete public-key This command deletes the specified user's public key.

Syntax

delete public-key *username*

username – Name of an SSH user. (Range: 1-8 characters)

Default Setting

Deletes the RSA key.

Command Mode

Privileged Exec

Example

```
Console#delete public-key admin
Console#
```

ip ssh crypto host-key generate

This command generates the host key pair (i.e., public and private).

Syntax

```
ip ssh crypto host-key generate
```

Default Setting

Generates the RSA key pairs.

Command Mode

Privileged Exec

Command Usage

- The switch uses RSA for SSHv2 clients.
- This command stores the host key pair in memory (i.e., RAM). Use the [ip ssh save host-key](#) command to save the host key pair to flash memory.
- Some SSH client programs automatically add the public key to the known hosts file as part of the configuration process. Otherwise, you must manually create a known hosts file and place the host public key in it.
- The SSH server uses this host key to negotiate a session key and encryption method with the client trying to connect to it.

Example

```
Console#ip ssh crypto host-key generate
Console#
```


ip ssh crypto zeroize This command clears the host key from memory (i.e. RAM).

Syntax

```
ip ssh crypto zeroize
```

Default Setting

Clears the RSA key.

Command Mode

Privileged Exec

Command Usage

- This command clears the host key from volatile memory (RAM). Use the **no ip ssh save host-key** command to clear the host key from flash memory.
- The SSH server must be disabled before you can execute this command.

Example

```
Console#ip ssh crypto zeroize  
Console#
```

ip ssh save host-key This command saves the host key from RAM to flash memory.

Syntax

```
ip ssh save host-key
```

Default Setting

Saves the RSA key.

Command Mode

Privileged Exec

Example

```
Console#ip ssh save host-key  
Console#
```

show ip ssh This command displays the connection settings used when authenticating client access to the SSH server.

Command Mode

Privileged Exec

Example

```
Console#show ip ssh
SSH Enabled - Version 2.0
Negotiation Timeout : 120 seconds; Authentication Retries : 3
Console#
```

show public-key This command shows the public key for the specified user or for the host.

Syntax

```
show public-key [user [username] | host]
```

username – Name of an SSH user. (Range: 1-32 characters)

Default Setting

Shows all public keys.

Command Mode

Privileged Exec

Command Usage

If no parameters are entered, all keys are displayed. If the user keyword is entered, but no user name is specified, then the public keys for all users are displayed.

Example

```
Console#show public-key host
Host:
RSA:
-----BEGIN RSA PUBLIC KEY-----
MIIBCgKCAQEAspl/UuyjRjzxtmsLQUc28rtCzK0zxV4SACwLE4jPdJacX7yIMgyD
P+6wcj6QhZ5LYTByYltgZ8OpvhgcTcLbOPp/LWEgII+ntzUiJGIggXgggZtWwsTp
XC9WXgHzknKAvfI0zk2Ec/x4ryvSlWazEb0ygnozDPc8ZRV2iST+nzAKScb3Oii3
SmpGk/NOzFK4OK3ouX1692Pfb64QSDXyi1BcmR0nMU943xC/F8JPtLKxQLiZSnSa
Ef1dcbOIXHKd7dedw4MauUhzDznIawAEu6R4d2HSjxDm9pOIio8he860+S8gpBSN
9kSgNXU7o3BarVvYZo2hPaEOLAFBv+tklQIDAQAB
-----END RSA PUBLIC KEY-----

Console#
```

show ssh This command displays the current SSH server connections.

Command Mode

Privileged Exec

Example

```
Console#show ssh
Connection Version State Username Encryption
1 2.0 Session-Started admin ctos aes128-cbc-hmac-md5
```

Console#

stoc aes128-cbc-hmac-md5

802.1X Port Authentication

The switch supports IEEE 802.1X (dot1x) port-based access control that prevents unauthorized access to the network by requiring users to first submit credentials for authentication. Client authentication is controlled centrally by a RADIUS server using EAP (Extensible Authentication Protocol).

Table 37: 802.1X Port Authentication Commands

Command	Function	Mode
<i>General Commands</i>		
<code>dot1x default</code>	Resets all dot1x parameters to their default values	GC
<code>dot1x eapol-pass-through</code>	Passes EAPOL frames to all ports in STP forwarding state when dot1x is globally disabled	GC
<code>dot1x system-auth-control</code>	Enables dot1x globally on the switch.	GC
<i>Authenticator Commands</i>		
<code>dot1x intrusion-action</code>	Sets the port response to intrusion when authentication fails	IC
<code>dot1x max-reauth-req</code>	Sets the maximum number of times that the switch sends an EAP-request/identity frame to the client before restarting the authentication process	IC
<code>dot1x max-req</code>	Sets the maximum number of times that the switch retransmits an EAP request/identity packet to the client before it times out the authentication session	IC
<code>dot1x operation-mode</code>	Allows single or multiple hosts on an dot1x port	IC
<code>dot1x port-control</code>	Sets dot1x mode for a port interface	IC
<code>dot1x re-authentication</code>	Enables re-authentication for all ports	IC
<code>dot1x timeout quiet-period</code>	Sets the time that a switch port waits after the Max Request Count has been exceeded before attempting to acquire a new client	IC
<code>dot1x timeout re-authperiod</code>	Sets the time period after which a connected client must be re-authenticated	IC
<code>dot1x timeout supp-timeout</code>	Sets the interval for a supplicant to respond	IC
<code>dot1x timeout tx-period</code>	Sets the time period during an authentication session that the switch waits before re-transmitting an EAP packet	IC
<code>dot1x re-authenticate</code>	Forces re-authentication on specific ports	PE
<i>Supplicant Commands</i>		
<code>dot1x identity profile</code>	Configures dot1x supplicant user name and password	GC
<code>dot1x max-start</code>	Sets the maximum number of times that a port supplicant will send an EAP start frame to the client	IC
<code>dot1x pae supplicant</code>	Enables dot1x supplicant mode on an interface	IC

Table 37: 802.1X Port Authentication Commands (Continued)

Command	Function	Mode
<code>dot1x timeout auth-period</code>	Sets the time that a supplicant port waits for a response from the authenticator	IC
<code>dot1x timeout held-period</code>	Sets the time a port waits after the maximum start count has been exceeded before attempting to find another authenticator	IC
<code>dot1x timeout start-period</code>	Sets the time that a supplicant port waits before resending an EAPOL start frame to the authenticator	IC
<i>Information Display Commands</i>		
<code>show dot1x</code>	Shows all dot1x related information	PE

General Commands

dot1x default This command sets all configurable dot1x authenticator global and port settings to their default values.

Command Mode

Global Configuration

Command Usage

This command resets the following commands to their default settings:

- `dot1x system-auth-control`
- `dot1x eapol-pass-through`
- `dot1x port-control`
- `dot1x port-control multi-host max-count`
- `dot1x operation-mode`
- `dot1x max-req`
- `dot1x timeout quiet-period`
- `dot1x timeout tx-period`
- `dot1x timeout re-authperiod`
- `dot1x timeout sup-timeout`
- `dot1x re-authentication`
- `dot1x intrusion-action`

Example

```
Console(config)#dot1x default
Console(config)#
```

dot1x eapol-pass-through This command passes EAPOL frames through to all ports in STP forwarding state when dot1x is globally disabled. Use the **no** form to restore the default.

Syntax

```
[no] dot1x eapol-pass-through
```

Default Setting

Discards all EAPOL frames when dot1x is globally disabled

Command Mode

Global Configuration

Command Usage

- When this device is functioning as intermediate node in the network and does not need to perform dot1x authentication, the **dot1x eapol pass-through** command can be used to forward EAPOL frames from other switches on to the authentication servers, thereby allowing the authentication process to still be carried out by switches located on the edge of the network.
- When this device is functioning as an edge switch but does not require any attached clients to be authenticated, the **no dot1x eapol-pass-through** command can be used to discard unnecessary EAPOL traffic.

Example

This example instructs the switch to pass all EAPOL frame through to any ports in STP forwarding state.

```
Console(config)#dot1x eapol-pass-through  
Console(config)#
```

dot1x system-auth-control This command enables IEEE 802.1X port authentication globally on the switch. Use the **no** form to restore the default.

Syntax

```
[no] dot1x system-auth-control
```

Default Setting

Disabled

Command Mode

Global Configuration

Example

```
Console(config)#dot1x system-auth-control  
Console(config)#
```

Authenticator Commands

dot1x intrusion-action This command sets the port's response to a failed authentication, either to block all traffic, or to assign all traffic for the port to a guest VLAN. Use the **no** form to reset the default.

Syntax

```
dot1x intrusion-action {block-traffic | guest-vlan}
```

```
no dot1x intrusion-action
```

block-traffic - Blocks traffic on this port.

guest-vlan - Assigns the user to the Guest VLAN.

Default

block-traffic

Command Mode

Interface Configuration

Command Usage

- For guest VLAN assignment to be successful, the VLAN must be configured and set as active (see the [vlan database](#) command) and assigned as the guest VLAN for the port (see the [network-access guest-vlan](#) command).
- A port can only be assigned to the guest VLAN in case of failed authentication, if [switchport mode](#) is set to Hybrid.

Example

```
Console(config)#interface eth 1/2
Console(config-if)#dot1x intrusion-action guest-vlan
Console(config-if)#
```

dot1x max-reauth-req This command sets the maximum number of times that the switch sends an EAP-request/identity frame to the client before restarting the authentication process. Use the **no** form to restore the default.

Syntax

```
dot1x max-reauth-req count
```

```
no dot1x max-reauth-req
```

count – The maximum number of requests (Range: 1-10)

Default

2

Command Mode

Interface Configuration

Example

```

Console(config)#interface eth 1/2
Console(config-if)#dot1x max-reauth-req 2
Console(config-if)#

```

dot1x max-req This command sets the maximum number of times the switch port will retransmit an EAP request/identity packet to the client before it times out the authentication session. Use the **no** form to restore the default.

Syntax

dot1x max-req *count*

no dot1x max-req

count – The maximum number of requests (Range: 1-10)

Default

2

Command Mode

Interface Configuration

Example

```

Console(config)#interface eth 1/2
Console(config-if)#dot1x max-req 2
Console(config-if)#

```

dot1x operation-mode This command allows hosts (clients) to connect to an 802.1X-authorized port. Use the **no** form with no keywords to restore the default to single host. Use the **no** form with the **multi-host max-count** keywords to restore the default maximum count.

Syntax

dot1x operation-mode {**single-host** | **multi-host** [**max-count** *count*] | **mac-based-auth**}

no dot1x operation-mode [**multi-host max-count**]

single-host – Allows only a single host to connect to this port.

multi-host – Allows multiple host to connect to this port.

max-count – Keyword for the maximum number of hosts.

count – The maximum number of hosts that can connect to a port. (Range: 1-1024; Default: 5)

mac-based – Allows multiple hosts to connect to this port, with each host needing to be authenticated.

Default

Single-host

Command Mode

Interface Configuration

Command Usage

- The “max-count” parameter specified by this command is only effective if the dot1x mode is set to “auto” by the [dot1x port-control](#) command.
- In “multi-host” mode, only one host connected to a port needs to pass authentication for all other hosts to be granted network access. Similarly, a port can become unauthorized for all hosts if one attached host fails re-authentication or sends an EAPOL logoff message.
- In “mac-based-auth” mode, each host connected to a port needs to pass authentication. The number of hosts allowed access to a port operating in this mode is limited only by the available space in the secure address table (i.e., up to 1024 addresses).

Example

```
Console(config)#interface eth 1/2
Console(config-if)#dot1x operation-mode multi-host max-count 10
Console(config-if)#
```

dot1x port-control This command sets the dot1x mode on a port interface. Use the **no** form to restore the default.

Syntax

dot1x port-control {**auto** | **force-authorized** | **force-unauthorized**}

no dot1x port-control

auto – Requires a dot1x-aware connected client to be authorized by the RADIUS server. Clients that are not dot1x-aware will be denied access.

force-authorized – Configures the port to grant access to all clients, either dot1x-aware or otherwise.

force-unauthorized – Configures the port to deny access to all clients, either dot1x-aware or otherwise.

Default

force-authorized

Command Mode

Interface Configuration

Example

```
Console(config)#interface eth 1/2
Console(config-if)#dot1x port-control auto
Console(config-if)#
```

dot1x re-authentication This command enables periodic re-authentication for a specified port. Use the **no** form to disable re-authentication.

Syntax

[no] dot1x re-authentication

Command Mode

Interface Configuration

Command Usage

- The re-authentication process verifies the connected client's user ID and password on the RADIUS server. During re-authentication, the client remains connected the network and the process is handled transparently by the dot1x client software. Only if re-authentication fails is the port blocked.
- The connected client is re-authenticated after the interval specified by the [dot1x timeout re-authperiod](#) command. The default is 3600 seconds.

Example

```
Console(config)#interface eth 1/2
Console(config-if)#dot1x re-authentication
Console(config-if)#
```

dot1x timeout quiet-period This command sets the time that a switch port waits after the maximum request count (see [page 223](#)) has been exceeded before attempting to acquire a new client. Use the **no** form to reset the default.

Syntax

dot1x timeout quiet-period *seconds*

no dot1x timeout quiet-period

seconds - The number of seconds. (Range: 1-65535)

Default

60 seconds

Command Mode

Interface Configuration

Example

```
Console(config)#interface eth 1/2
Console(config-if)#dot1x timeout quiet-period 350
Console(config-if)#
```

dot1x timeout re-authperiod This command sets the time period after which a connected client must be re-authenticated. Use the **no** form of this command to reset the default.

Syntax

```
dot1x timeout re-authperiod seconds
no dot1x timeout re-authperiod
seconds - The number of seconds. (Range: 1-65535)
```

Default
3600 seconds

Command Mode

Interface Configuration

Example

```
Console(config)#interface eth 1/2
Console(config-if)#dot1x timeout re-authperiod 300
Console(config-if)#
```

dot1x timeout supp-timeout This command sets the time that an interface on the switch waits for a response to an EAP request from a client before re-transmitting an EAP packet. Use the **no** form to reset to the default value.

Syntax

```
dot1x timeout supp-timeout seconds
no dot1x timeout supp-timeout
seconds - The number of seconds. (Range: 1-65535)
```

Default
30 seconds

Command Mode

Interface Configuration

Command Usage

This command sets the timeout for EAP-request frames other than EAP-request/identity frames. If dot1x authentication is enabled on a port, the switch will initiate authentication when the port link state comes up. It will send an EAP-request/identity frame to the client to request its identity, followed by one or more requests for authentication information. It may also send other EAP-request frames to the client during an active connection as required for reauthentication.

Example

```
Console(config)#interface eth 1/2
Console(config-if)#dot1x timeout supp-timeout 300
Console(config-if)#
```

dot1x timeout tx-period This command sets the time that an interface on the switch waits during an authentication session before re-transmitting an EAP packet. Use the **no** form to reset to the default value.

Syntax

dot1x timeout tx-period *seconds*

no dot1x timeout tx-period

seconds - The number of seconds. (Range: 1-65535)

Default

30 seconds

Command Mode

Interface Configuration

Example

```
Console(config)#interface eth 1/2
Console(config-if)#dot1x timeout tx-period 300
Console(config-if)#
```

dot1x re-authenticate This command forces re-authentication on all ports or a specific interface.

Syntax

dot1x re-authenticate [*interface*]

interface

ethernet *unit/port*

unit - Unit identifier.

port - Port number.

Command Mode

Privileged Exec

Command Usage

The re-authentication process verifies the connected client's user ID and password on the RADIUS server. During re-authentication, the client remains connected the network and the process is handled transparently by the dot1x client software. Only if re-authentication fails is the port blocked.

Example

```
Console#dot1x re-authenticate
Console#
```

Supplicant Commands

dot1x identity profile This command sets the dot1x supplicant user name and password. Use the **no** form to delete the identity settings.

Syntax

```
dot1x identity profile {username username | password password | encrypted-password encrypted-password}
```

```
no dot1x identity profile {username | password}
```

username - Specifies the supplicant user name. (Range: 1-8 characters)

password - Specifies the supplicant password. (Range: 1-8 characters)

encrypted-password - Specifies the supplicant password in encrypted text. (Range: 8-16 characters)

Default

No user name or password

Command Mode

Global Configuration

Command Usage

The global supplicant user name and password are used to identify this switch as a supplicant when responding to an MD5 challenge from the authenticator. These parameters must be set when this switch passes client authentication requests to another authenticator on the network (see the [dot1x pae supplicant](#) command).

Example

```
Console(config)#dot1x identity profile username steve  
Console(config)#dot1x identity profile password excess  
Console(config)#
```

dot1x max-start This command sets the maximum number of times that a port supplicant will send an EAP start frame to the client before assuming that the client is 802.1X unaware. Use the **no** form to restore the default value.

Syntax

dot1x max-start *count*

no dot1x max-start

count - Specifies the maximum number of EAP start frames.
(Range: 1-65535)

Default

3

Command Mode

Interface Configuration

Example

```
Console(config)#interface eth 1/2  
Console(config-if)#dot1x max-start 10  
Console(config-if)#
```

dot1x pae supplicant This command enables dot1x supplicant mode on a port. Use the **no** form to disable dot1x supplicant mode on a port.

Syntax

[no] **dot1x pae supplicant**

Default

Disabled

Command Mode

Interface Configuration

Command Usage

- When devices attached to a port must submit requests to another authenticator on the network, configure the identity profile parameters (see [dot1x identity profile](#) command) which identify this switch as a supplicant, and enable dot1x supplicant mode for those ports which must authenticate clients through a remote authenticator using this command. In this mode the port will not respond to dot1x messages meant for an authenticator.
- This switch can be configured to serve as the authenticator on selected ports by setting the control mode to “auto” (see the [dot1x port-control](#) command), and as a supplicant on other ports by the setting the control mode to “force-authorized” and enabling dot1x supplicant mode with this command.
- A port cannot be configured as a dot1x supplicant if it is a member of a trunk or LACP is enabled on the port.

Example

```
Console(config)#interface ethernet 1/2
Console(config-if)#dot1x pae supplicant
Console(config-if)#
```

dot1x timeout auth-period This command sets the time that a supplicant port waits for a response from the authenticator. Use the **no** form to restore the default setting.

Syntax

dot1x timeout auth-period *seconds*

no dot1x timeout auth-period

seconds - The number of seconds. (Range: 1-65535)

Default

30 seconds

Command Mode

Interface Configuration

Command Usage

This command sets the time that the supplicant waits for a response from the authenticator for packets other than EAPOL-Start.

Example

```
Console(config)#interface eth 1/2
Console(config-if)#dot1x timeout auth-period 60
Console(config-if)#
```

dot1x timeout held-period This command sets the time that a supplicant port waits before resending its credentials to find a new authenticator. Use the **no** form to reset the default.

Syntax

dot1x timeout held-period *seconds*

no dot1x timeout held-period

seconds - The number of seconds. (Range: 1-65535)

Default

60 seconds

Command Mode

Interface Configuration

Example

```
Console(config)#interface eth 1/2
Console(config-if)#dot1x timeout held-period 120
Console(config-if)#
```

dot1x timeout start-period This command sets the time that a supplicant port waits before resending an EAPOL start frame to the authenticator. Use the **no** form to restore the default setting.

Syntax

dot1x timeout start-period *seconds*

no dot1x timeout start-period

seconds - The number of seconds. (Range: 1-65535)

Default

30 seconds

Command Mode

Interface Configuration

Example

```
Console(config)#interface eth 1/2
Console(config-if)#dot1x timeout start-period 60
Console(config-if)#
```

Information Display Commands

show dot1x This command shows general port authentication related settings on the switch or a specific interface.

Syntax

show dot1x [**statistics**] [**interface** *interface*]

statistics - Displays dot1x status for each port.

interface

ethernet *unit/port*

unit - Unit identifier.

port - Port number.

Command Mode

Privileged Exec

Command Usage

This command displays the following information:

- *Global 802.1X Parameters* – Shows whether or not 802.1X port authentication is globally enabled on the switch ([page 221](#)).
- *802.1X Port Summary* – Displays the port access control parameters for each interface that has enabled 802.1X, including the following items:
 - *Type* – Administrative state for port access control (Enabled, Authenticator, or Supplicant).
 - *Operation Mode* – Allows single or multiple hosts ([page 223](#)).
 - *Control Mode* – Dot1x port control mode ([page 224](#)).
 - *Authorized* – Authorization status (yes or n/a - not authorized).
- *802.1X Port Details* – Displays the port access control parameters for each interface, including the following items:

- Reauthentication – Periodic re-authentication ([page 225](#)).
 - Reauth Period – Time after which a connected client must be re-authenticated ([page 226](#)).
 - Quiet Period – Time a port waits after Max Request Count is exceeded before attempting to acquire a new client ([page 225](#)).
 - TX Period – Time a port waits during authentication session before re-transmitting EAP packet ([page 227](#)).
 - Supplicant Timeout – Supplicant timeout.
 - Server Timeout – Server timeout. A RADIUS server must be set before the correct operational value of 10 seconds will be displayed in this field.
 - Reauth Max Retries – Maximum number of reauthentication attempts.
 - Max Request – Maximum number of times a port will retransmit an EAP request/identity packet to the client before it times out the authentication session ([page 223](#)).
 - Operation Mode – Shows if single or multiple hosts (clients) can connect to an 802.1X-authorized port.
 - Port Control – Shows the dot1x mode on a port as auto, force-authorized, or force-unauthorized ([page 224](#)).
 - Intrusion Action – Shows the port response to intrusion when authentication fails ([page 222](#)).
 - Supplicant – MAC address of authorized client.
- *Authenticator PAE State Machine*
 - State – Current state (including initialize, disconnected, connecting, authenticating, authenticated, aborting, held, force_authorized, force_unauthorized).
 - Reauth Count – Number of times connecting state is re-entered.
 - Current Identifier – The integer (0-255) used by the Authenticator to identify the current authentication session.
- *Backend State Machine*
 - State – Current state (including request, response, success, fail, timeout, idle, initialize).
 - Request Count – Number of EAP Request packets sent to the Supplicant without receiving a response.
 - Identifier (Server) – Identifier carried in the most recent EAP Success, Failure or Request packet received from the Authentication Server.
- *Reauthentication State Machine*
 - State – Current state (including initialize, reauthenticate).

Example

```

Console#show dot1x
Global 802.1X Parameters
  System Auth Control      : Enabled

Authenticator Parameters:
  EAPOL Pass Through      : Disabled

802.1X Port Summary

```

Port	Type	Operation Mode	Control Mode	Authorized
Eth 1/ 1	Disabled	Single-Host	Force-Authorized	Yes
Eth 1/ 2	Disabled	Single-Host	Force-Authorized	Yes
'''				
Eth 1/17	Disabled	Single-Host	Force-Authorized	Yes
Eth 1/18	Enabled	Single-Host	Auto	Yes

```
Console#show dot1x interface ethernet 1/5
```

```
802.1X Authenticator is enabled on port 1/5
```

```
Reauthentication      : Enabled
Reauth Period        : 3600 seconds
Quiet Period         : 60 seconds
TX Period            : 30 seconds
Supplicant Timeout   : 30 seconds
Server Timeout       : 0 seconds
Reauth Max Retries   : 2
Max Request          : 2
Operation Mode       : Multi-host
Port Control         : Auto
Intrusion Action     : Block traffic
```

```
Supplicant           : 00-e0-29-94-34-65
```

```
Authenticator PAE State Machine
State                : Authenticated
Reauth Count         : 0
Current Identifier    : 3
```

```
Backend State Machine
State                : Idle
Request Count        : 0
Identifier(Server)   : 2
```

```
Reauthentication State Machine
State                : Initialize
```

```
Console#
```

Management IP Filter

This section describes commands used to configure IP management access to the switch.

Table 38: Management IP Filter Commands

Command	Function	Mode
<code>management</code>	Configures IP addresses that are allowed management access	GC
<code>show management</code>	Displays the switch to be monitored or configured from a browser	PE

management This command specifies the client IP addresses that are allowed management access to the switch through various protocols. A list of up to 15 IP addresses or IP address groups can be specified. Use the **no** form to restore the default setting.

Syntax

```
[no] management {all-client | http-client | snmp-client | telnet-client}
start-address [end-address]
```

all-client - Adds IP address(es) to all groups.

http-client - Adds IP address(es) to the web group.

snmp-client - Adds IP address(es) to the SNMP group.

telnet-client - Adds IP address(es) to the Telnet group.

start-address - A single IP address, or the starting address of a range.

end-address - The end address of a range.

Default Setting

All addresses

Command Mode

Global Configuration

Command Usage

- The management interfaces are open to all IP addresses by default. Once you add an entry to a filter list, access to that interface is restricted to the specified addresses.
- If anyone tries to access a management interface on the switch from an invalid address, the switch will reject the connection, enter an event message in the system log, and send a trap message to the trap manager.

- IP address can be configured for SNMP, web, and Telnet access respectively. Each of these groups can include up to five different sets of addresses, either individual addresses or address ranges.
- When entering addresses for the same group (i.e., SNMP, web, or Telnet), the switch will not accept overlapping address ranges. When entering addresses for different groups, the switch will accept overlapping address ranges.
- You cannot delete an individual address from a specified range. You must delete the entire range, and re-enter the addresses.
- You can delete an address range just by specifying the start address, or by specifying both the start address and end address.

Example

This example restricts management access to the indicated addresses.

```
Console(config)#management all-client 192.168.1.19
Console(config)#management all-client 192.168.1.25 192.168.1.30
Console#
```

show management This command displays the client IP addresses that are allowed management access to the switch through various protocols.

Syntax

show management {all-client | http-client | snmp-client | telnet-client}

all-client - Displays IP addresses for all groups.

http-client - Displays IP addresses for the web group.

snmp-client - Displays IP addresses for the SNMP group.

telnet-client - Displays IP addresses for the Telnet group.

Command Mode

Privileged Exec

Example

```
Console#show management all-client
Management Ip Filter
HTTP-Client:
  Start IP address      End IP address
-----
1. 192.168.1.19         192.168.1.19
2. 192.168.1.25         192.168.1.30
```

```

SNMP-Client:
  Start IP address      End IP address
-----
1. 192.168.1.19        192.168.1.19
2. 192.168.1.25        192.168.1.30

TELNET-Client:
  Start IP address      End IP address
-----
1. 192.168.1.19        192.168.1.19
2. 192.168.1.25        192.168.1.30

Console#

```

PPPoE Intermediate Agent

This section describes commands used to configure the PPPoE Intermediate Agent (PPPoE IA) relay parameters required for passing authentication messages between a client and broadband remote access servers.

Table 39: PPPoE Intermediate Agent Commands

Command	Function	Mode
<code>pppoe intermediate-agent</code>	Enables the PPPoE IA globally on the switch	GC
<code>pppoe intermediate-agent format-type</code>	Sets the access node identifier, generic error message, or vendor identifier for the switch	GC
<code>pppoe intermediate-agent port-enable</code>	Enables the PPPoE IA on an interface	IC
<code>pppoe intermediate-agent port-format-type</code>	Sets the circuit-id, remote-id, or remote-id delimiter for an interface	IC
<code>pppoe intermediate-agent port-format-type remote-id-delimiter</code>	Sets the remote-id delimiter for an interface	IC
<code>pppoe intermediate-agent trust</code>	Sets the trust mode for an interface	IC
<code>pppoe intermediate-agent vendor-tag strip</code>	Enables the stripping of vendor tags from PPPoE Discovery packets sent from a PPPoE server	IC
<code>clear pppoe intermediate-agent statistics</code>	Clears PPPoE IA statistics	PE
<code>show pppoe intermediate-agent info</code>	Displays PPPoE IA configuration settings	PE
<code>show pppoe intermediate-agent statistics</code>	Displays PPPoE IA statistics	PE

pppoe intermediate-agent This command enables the PPPoE Intermediate Agent globally on the switch. Use the **no** form to disable this feature.

Syntax

`[no] pppoe intermediate-agent`

Default Setting

Disabled

Command Mode

Global Configuration

Command Usage

- The switch inserts a tag identifying itself as a PPPoE Intermediate Agent residing between the attached client requesting network access and the ports connected to broadband remote access servers (BRAS). The switch extracts access-loop information from the client's PPPoE Active Discovery Request, and forwards this information to all trusted ports designated by the `pppoe intermediate-agent trust` command. The BRAS detects the presence of the subscriber's circuit-ID tag inserted by the switch during the PPPoE discovery phase, and sends this tag as a NAS-port-ID attribute in PPP authentication and AAA accounting requests to a RADIUS server.
- PPPoE IA must be enabled globally by this command before this feature can be enabled on an interface using the `pppoe intermediate-agent port-enable` command.

Example

```
Console(config)#pppoe intermediate-agent  
Console(config)#
```

`pppoe intermediate-agent format-type`

This command sets the access node identifier, generic error message, or vendor identifier for the switch. Use the **no** form to restore the default settings.

Syntax

pppoe intermediate-agent format-type {**access-node-identifier** *node-id-string* | **generic-error-message** *error-message* | **vendor-id** *vendor-id-string*}

no pppoe intermediate-agent format-type {**access-node-identifier** | **generic-error-message**}

node-id-string - String identifying this switch as an PPPoE IA to the PPPoE server. (Range: 1-48 ASCII characters)

error-message - An error message notifying the sender that the PPPoE Discovery packet was too large.

vendor-id-string - This tag is used to pass vendor proprietary information. The first four octets of the tag contain the vendor id and the remainder is unspecified. The high-order octet of the vendor id is 0 and the low-order 3 octets are the SMI Network Management Private Enterprise Code of the Vendor in network byte order, as defined in the Assigned Numbers RFC (RFC 1700). (Range: 0-4294967295)

Default Setting

- Access Node Identifier: IP address of the first IPv4 interface on the switch.
- Generic Error Message: PPPoE Discover packet too large to process. Try reducing the number of tags added.
- Vendor Identifier: 3561
(This is the enterprise number assigned to the Broadband Forum.)

Command Mode

Global Configuration

Command Usage

- The switch uses the access-node-identifier to generate the circuit-id for PPPoE discovery stage packets sent to the BRAS, but does not modify the source or destination MAC address of these PPPoE discovery packets.
- The vendor-specific tag is used to pass vendor proprietary information. The first four octets of this tag value contain the vendor identifier and the remainder is unspecified. The high-order octet of the vendor ID is 0 and the low-order 3 octets are the SMI Network Management Private Enterprise Code of the Vendor in network byte order, as defined in Assigned Numbers RFC 1700.
- These messages are forwarded to all trusted ports designated by the `pppoe intermediate-agent trust` command.

Example

```
Console(config)#pppoe intermediate-agent format-type access-node-identifier  
billibong  
Console(config)#
```

pppoe intermediate-agent port-enable

This command enables the PPPoE IA on an interface. Use the **no** form to disable this feature.

Syntax

```
[no] pppoe intermediate-agent port-enable
```

Default Setting

Disabled

Command Mode

Interface Configuration (Ethernet, Port Channel)

Command Usage

PPPoE IA must also be enabled globally on the switch for this command to take effect.

Example

```
Console(config)#interface ethernet 1/5
Console(config-if)#pppoe intermediate-agent port-enable
Console(config-if)#
```

pppoe intermediate-agent port-format-type

This command sets the circuit-id, remote-id, or remote-id delimiter for an interface. Use the **no** form to restore the default settings.

Syntax

```
pppoe intermediate-agent port-format-type
{carry-to-client |
circuit-id [string | hostname-port-vlan] circuit-id-string |
remote-id {mac-cpe | string remote-id-string} |
remote-id-delimiter {enable | ascii-code}}

no pppoe intermediate-agent port-format-type {carry-to-client | circuit-id |
remote-id | remote-id-delimiter enable}
```

carry-to-client - Carries circuit ID/remote ID to the client.

circuit-id-string - String identifying the circuit identifier (or interface) on this switch to which the user is connected. (Range: 1-10 ASCII characters)

circuit-id hostname-port-vlan - Specifies circuit ID format hostname/port/vlan

mac-cpe - The MAC address of the CPE attached to this interface is used as the remote ID.

remote-id-string - String identifying the remote identifier (or interface) on this switch to which the user is connected. (Range: 1-63 ASCII characters)

remote-id-delimiter enable - Enables a user-specified delimiter value for the remote ID.

ascii-code - A character used to separate components in the remote circuit ID value. (Range: 0-255)

Default Setting

carry-to-client: No

circuit-id: unit/port:vlan-id or 0/trunk-id:vlan-id

remote-id: port MAC address

remote-id-delimiter: ASCII code 35, ASCII character "#"

Command Mode

Interface Configuration (Ethernet, Port Channel)

Command Usage

- The PPPoE server extracts the Line-ID tag from PPPoE discovery stage messages, and uses the Circuit-ID field of that tag as a NAS-Port-ID attribute in AAA access and accounting requests.

- The switch intercepts PPPoE discovery frames from the client and inserts a unique line identifier using the PPPoE Vendor-Specific tag (0x0105) to PPPoE Active Discovery Initiation (PADI) and Request (PADR) packets. The switch then forwards these packets to the PPPoE server. The tag contains the Line-ID of the customer line over which the discovery packet was received, entering the switch (or access node) where the intermediate agent resides.
- Outgoing PAD Offer (PADO) and Session-confirmation (PADS) packets sent from the PPPoE Server include the Circuit-Id tag inserted by the switch, and should be stripped out of PADO and PADS packets which are to be passed directly to end-node clients using the `pppoe intermediate-agent vendor-tag strip` command.
- If the remote-id is unspecified, the port name will be used for this parameter. If the port name is not configured, the remote-id is set to the port MAC (yy-yy-yy-yy-yy-yy#), where # is the default delimiter.

Example

```
Console(config)#interface ethernet 1/5
Console(config-if)#pppoe intermediate-agent port-format-type circuit-id
string ECS5550-54X
Console(config-if)#
```

pppoe intermediate-agent port-format-type remote-id-delimiter

This command sets the remote-id delimiter for an interface. Use the **enable** keyword to enable the delimiter. Use the **no** form with the **enable** keyword to disable the delimiter. Use the **no** form without any keywords to restore the default settings.

Syntax

```
pppoe intermediate-agent port-format-type remote-id-delimiter
{enable | ascii-code}
```

ascii-code - ASCII character of delimiter. (Range: 0-255)

Default Setting

Disabled
ASCII code: 35 (“#”)

Command Mode

Interface Configuration (Ethernet, Port Channel)

Command Usage

If the delimiter is enabled and it occurs in the remote ID string, the string will be truncated at that point.

Example

This command enables the delimiter for port 5.

```
Console(config)#interface ethernet 1/5
Console(config-if)#pppoe intermediate-agent port-format-type remote-id-
delimiter enable
Console(config-if)#
```

pppoe intermediate-agent trust

This command sets an interface to trusted mode to indicate that it is connected to a PPPoE server. Use the **no** form to set an interface to untrusted mode.

Syntax

```
[no] pppoe intermediate-agent trust
```

Default Setting

Untrusted

Command Mode

Interface Configuration (Ethernet, Port Channel)

Command Usage

- Set any interfaces connecting the switch to a PPPoE Server as trusted. Interfaces that connect the switch to users (PPPoE clients) should be set as untrusted.
- At least one trusted interface must be configured on the switch for the PPPoE IA to function.

Example

```
Console(config)#interface ethernet 1/5
Console(config-if)#pppoe intermediate-agent trust
Console(config-if)#
```

pppoe intermediate-agent vendor-tag strip

This command enables the stripping of vendor tags from PPPoE Discovery packets sent from a PPPoE server. Use the **no** form to disable this feature.

Syntax

```
[no] pppoe intermediate-agent vendor-tag strip
```

Default Setting

Disabled

Command Mode

Interface Configuration (Ethernet, Port Channel)

Command Usage

This command only applies to trusted interfaces. It is used to strip off vendor-specific tags (which carry subscriber and line identification information) in PPPoE Discovery packets received from an upstream PPPoE server before forwarding them to a user.

Example

```
Console(config)#interface ethernet 1/5
Console(config-if)#pppoe intermediate-agent vendor-tag strip
Console(config-if)#
```

clear pppoe intermediate-agent statistics

This command clears statistical counters for the PPPoE Intermediate Agent.

Syntax

```
clear pppoe intermediate-agent statistics interface [interface]
    interface
        ethernet unit/port
            unit - Stack unit
            port - Port number
        port-channel channel-id
```

Command Mode

Privileged Exec

Example

```
Console#clear pppoe intermediate-agent statistics
Console#
```

show pppoe intermediate-agent info

This command displays configuration settings for the PPPoE Intermediate Agent.

Syntax

```
show pppoe intermediate-agent info [interface [interface]]
    interface
        ethernet unit/port
            unit - Stack unit.
            port - Port number
        port-channel channel-id
```

Command Mode

Privileged Exec

Example

```
Console#show pppoe intermediate-agent info
PPPoE Intermediate Agent Global Status      : Enabled
PPPoE Intermediate Agent Vendor ID        : 3561
PPPoE Intermediate Agent Admin Access Node Identifier : 192.168.0.2
PPPoE Intermediate Agent Oper Access Node Identifier : 192.168.0.2
PPPoE Intermediate Agent Admin Generic Error Message :
  PPPoE Discover packet too large to process. Try reducing the number of tags
  added.
PPPoE Intermediate Agent Oper Generic Error Message :
  PPPoE Discover packet too large to process. Try reducing the number of tags
  added.
Console#show pppoe intermediate-agent info interface ethernet 1/1
Interface PPPoE IA Trusted Vendor-Tag Strip Admin Circuit-ID Admin Remote-ID
-----
Eth 1/1   No      No      No
          R-ID Delimiter  Delimiter ASCII  Oper Circuit-ID  Oper Remote-ID
-----
          No                        35 1/1:vid      CC-37-AB-BC-4F-FB
Carry Circuit and Remote ID to client: FALSE
Console#
```

show pppoe intermediate-agent statistics This command displays statistics for the PPPoE Intermediate Agent.

Syntax

```
show pppoe intermediate-agent statistics interface [interface]
```

interface

ethernet *unit/port*

unit - Unit identifier.

port - Port number.

port-channel *channel-id*

Command Mode

Privileged Exec

Example

```
Console#show pppoe intermediate-agent statistics interface ethernet 1/1
Eth 1/1 statistics
-----
Received :      All      PADI      PADO      PADR      PADS      PADT
          -----
              3          0          0          0          0          3

Dropped  : Response from untrusted  Request towards untrusted  Malformed
          -----
              0                      0          0

Console#
```

10

General Security Measures

This switch supports many methods of segregating traffic for clients attached to each of the data ports, and for ensuring that only authorized clients gain access to the network. In addition to these methods, several other options of providing client security are described in this chapter.

Table 40: General Security Commands

Command Group	Function
Port Security*	Configures secure addresses for a port
Network Access*	Configures MAC authentication and dynamic VLAN assignment
Web Authentication*	Configures Web authentication
Access Control Lists*	Provides filtering for IP frames (based on address, protocol, TCP/UDP port number or TCP control code) or non-IP frames (based on MAC address or Ethernet type)
DHCPv4 Snooping*	Filters untrusted DHCPv4 messages on unsecure ports by building and maintaining a DHCPv4 snooping binding table
DHCPv6 Snooping*	Filters untrusted DHCPv6 messages on unsecure ports by building and maintaining a DHCPv6 snooping binding table
IPv4 Source Guard*	Filters IP traffic on insecure ports for which the source address cannot be identified via DHCP snooping nor static source bindings
IPv6 Source Guard*	Filters IPv6 traffic on insecure ports for which the source address cannot be identified via DHCPv6 snooping nor static source bindings
ND Snooping	Maintains IPv6 prefix table and user address binding table which can be used for stateless address auto-configuration or for address filtering by IPv6 Source Guard
ARP Inspection	Validates the MAC-to-IP address bindings in ARP packets
Denial of Service Protection	Protects against Denial-of-Service attacks
Port-based Traffic Segmentation	Configures traffic segmentation for different client sessions based on specified downlink and uplink ports

* The priority of execution for these filtering commands is Port Security, Port Authentication, Network Access, Web Authentication, Access Control Lists, DHCP Snooping, and then IPv4 Source Guard.

Port Security

These commands can be used to enable port security on a port.

When MAC address learning is disabled on an interface, only incoming traffic with source addresses already stored in the dynamic or static address table for this port will be authorized to access the network.

When using port security, the switch stops learning new MAC addresses on the specified port when it has reached a configured maximum number. Only incoming traffic with source addresses already stored in the dynamic or static address table for this port will be authorized to access the network. The port will drop any incoming frames with a source MAC address that is unknown or has been previously learned from another port. If a device with an unauthorized MAC address attempts to use the switch port, the intrusion will be detected and the switch can automatically take action by disabling the port and sending a trap message.

Table 41: Management IP Filter Commands

Command	Function	Mode
<code>mac-address-table static</code>	Maps a static address to a port in a VLAN	GC
<code>mac-learning</code>	Enables MAC address learning on the selected physical interface or VLAN	IC
<code>port security</code>	Configures a secure port	IC
<code>port security mac-address sticky</code>	Saves the MAC addresses learned by port security as "sticky" entries	IC
<code>port security mac-address-as-permanent</code>	Saves the MAC addresses learned by port security as static entries.	PE
<code>show mac-address-table</code>	Displays entries in the bridge-forwarding database	PE
<code>show port security</code>	Displays port security status and secure address count	PE

mac-learning This command enables MAC address learning on the selected interface. Use the **no** form to disable MAC address learning.

Syntax

`[no] mac-learning`

Default Setting

Enabled

Command Mode

Interface Configuration (Ethernet or Port Channel)

Command Usage

- The **no mac-learning** command immediately stops the switch from learning new MAC addresses on the specified port or trunk. Incoming traffic with source addresses not stored in the static address table, will be flooded. However, if a security function such as 802.1X or DHCP snooping is enabled and mac-learning is disabled, then only incoming traffic with source addresses stored in the static address table will be accepted, all other packets are dropped. Note that the dynamic addresses stored in the address table when MAC address learning is disabled are flushed from the system, and no dynamic addresses are subsequently learned until MAC address learning has been re-enabled.
- The mac-learning commands cannot be used if 802.1X Port Authentication has been globally enabled on the switch with the **dot1x system-auth-control** command, or if MAC Address Security has been enabled by the **port security** command on the same interface.

Example

The following example disables MAC address learning for port 2.

```
Console(config)#interface ethernet 1/2
Console(config-if)#no mac-learning
Console(config-if)#
```

port security This command enables or configures port security. Use the **no** form without any keywords to disable port security. Use the **no** form with the appropriate keyword to restore the default settings for a response to security violation or for the maximum number of allowed addresses.

Syntax

```
port security [action {shutdown | trap | trap-and-shutdown} |
max-mac-count address-count]
```

```
no port security [action | max-mac-count]
```

action - Response to take when port security is violated.

shutdown - Disable port only.

trap - Issue SNMP trap message only.

trap-and-shutdown - Issue SNMP trap message and disable port.

max-mac-count

address-count - The maximum number of MAC addresses that can be learned on a port. (Range: 0 - 1024, where 0 means disabled)

Default Setting

Status: Disabled

Action: None

Maximum Addresses: 0

Command Mode

Interface Configuration (Ethernet)

Command Usage

- The default maximum number of MAC addresses allowed on a secure port is zero (that is, port security is disabled). To use port security, you must configure the maximum number of addresses allowed on a port using the **port security max-mac-count** command.
- When port security is enabled using the **port security** command, or the maximum number or allowed addresses is set to a value lower than the current limit after port security has been enabled, the switch first clears all dynamically learned entries from the address table. It then starts learning new MAC addresses on the specified port, and stops learning addresses when it reaches a configured maximum number. Only incoming traffic with source addresses already stored in the dynamic or static address table will be accepted.
- To configure the maximum number of address entries which can be learned on a port, specify the maximum number of dynamic addresses allowed. The switch will learn up to the maximum number of allowed address pairs <source MAC address, VLAN> for frames received on the port. (The specified maximum address count is effective when port security is enabled or disabled.) Note that you can manually add additional secure addresses to a port using the **mac-address-table static** command. When the port has reached the maximum number of MAC addresses, the port will stop learning new addresses. The MAC addresses already in the address table will be retained and will not be aged out.
- MAC addresses that port security has learned, can be saved in the configuration file as static entries. See command **port security mac-address-as-permanent**.
- If port security is enabled, and the maximum number of allowed addresses are set to a non-zero value, any device not in the address table that attempts to use the port will be prevented from accessing the switch.
- If a port is disabled due to a security violation, it must be manually re-enabled using the **no shutdown** command.
- A secure port has the following restrictions:
 - Cannot be connected to a network interconnection device.
 - Cannot be a trunk port.
 - RSPAN and port security are mutually exclusive functions. If port security is enabled on a port, that port cannot be set as an RSPAN uplink port. Also, when a port is configured as an RSPAN uplink port, source port, or destination port, port security cannot be enabled on that port.

Example

The following example enables port security for port 5, and sets the response to a security violation to issue a trap message:

```
Console(config)#interface ethernet 1/5
Console(config-if)#port security action trap
```

port security mac-address sticky

Use this command to save the MAC addresses that port security has learned as “sticky” entries.

Syntax

```
port security mac-address sticky
```

Command Mode

Interface Configuration

Command Usage

- Sticky MAC addresses that port security has learned are dynamic addresses that cannot be moved to another port.
- If sticky MAC addresses are received on another secure port, then the port intrusion action is taken.

Example

```
Console(config-if)#port security mac-address sticky
Console#
```

port security mac-address-as- permanent

Use this command to save the MAC addresses that port security has learned as static entries.

Syntax

```
port security mac-address-as-permanent [interface interface]
```

interface - Specifies a port interface.

```
ethernet unit/port
```

unit - Unit identifier.

port - Port number.

Command Mode

Privileged Exec

Example

This example shows the switch saving the MAC addresses learned by port security on ethernet port 1/3.

```
Console#port security mac-address-as-permanent interface ethernet 1/3
Console#
```

show port security This command displays port security status and the secure address count.

Syntax

show port security [**interface** *interface*]

interface - Specifies a port interface.

ethernet *unit/port*

unit - Unit identifier.

port - Port number.

Command Mode

Privileged Exec

Example

This example shows the port security settings and number of secure addresses for all ports.

```
Console#show port security
Global Port Security Parameters
Secure MAC Aging Mode : Disabled

Port Security Port Summary
Port      Port Security Port Status Intrusion Action  MaxMacCnt  CurrMacCnt
-----
Eth 1/ 1 Enabled      Secure/Up      Shutdown          20          2
Eth 1/ 2 Disabled    Secure/Down    None              0           0
Eth 1/ 3 Disabled    Secure/Down    None              0           0
Eth 1/ 4 Disabled    Secure/Down    None              0           0
Eth 1/ 5 Disabled    Secure/Down    None              0           0
:
```

The following example shows the port security settings and number of secure addresses for a specific port. The Last Intrusion MAC and Last Time Detected Intrusion MAC fields show information about the last detected intrusion MAC address. These fields are not applicable if no intrusion has been detected or port security is disabled. The MAC Filter ID field is configured by the [network-access mac-filter](#) command. If this field displays Disabled, then any unknown source MAC address can be learned as a secure MAC address. If it displays a filter identifier,

then only source MAC address entries in MAC Filter table can be learned as secure MAC addresses.

```

Console#show port security interface ethernet 1/2
Global Port Security Parameters
  Secure MAC Aging Mode : Disabled

Port Security Details
  Port : 1/2
  Port Security : Enabled
  Port Status : Secure/Up
  Intrusion Action : None
  Max MAC Count : 0
  Current MAC Count : 0
  MAC Filter : Disabled
  Last Intrusion MAC : NA
  Last Time Detected Intrusion MAC : NA
Console#

```

This example shows information about a detected intrusion.

```

Console#show port security interface ethernet 1/2
Global Port Security Parameters
  Secure MAC Aging Mode : Disabled

Port Security Details
  Port : 1/2
  Port Security : Enabled
  Port Status : Secure/Up
  Intrusion Action : None
  Max MAC Count : 0
  Current MAC Count : 0
  MAC Filter : Disabled
  Last Intrusion MAC : 00-10-22-00-00-01
  Last Time Detected Intrusion MAC : 2017/7/29 15:13:03
Console#

```

Network Access (MAC Address Authentication)

Network Access authentication controls access to the network by authenticating the MAC address of each host that attempts to connect to a switch port. Traffic received from a specific MAC address is forwarded by the switch only if the source MAC address is successfully authenticated by a central RADIUS server. While authentication for a MAC address is in progress, all traffic is blocked until authentication is completed. Once successfully authenticated, the RADIUS server may optionally assign VLAN and QoS settings for the switch port.

Table 42: Network Access Commands

Command	Function	Mode
network-access aging	Enables MAC address aging	GC
network-access mac-filter	Adds a MAC address to a filter table	GC

Table 42: Network Access Commands (Continued)

Command	Function	Mode
<code>mac-authentication reauth-time</code>	Sets the time period after which a connected MAC address must be re-authenticated	GC
<code>network-access dynamic-qos</code>	Enables the dynamic quality of service feature	IC
<code>network-access dynamic-vlan</code>	Enables dynamic VLAN assignment from a RADIUS server	IC
<code>network-access guest-vlan</code>	Specifies the guest VLAN	IC
<code>network-access link-detection</code>	Enables the link detection feature	IC
<code>network-access link-detection link-down</code>	Configures the link detection feature to detect and act upon link-down events	IC
<code>network-access link-detection link-up</code>	Configures the link detection feature to detect and act upon link-up events	IC
<code>network-access link-detection link-up-down</code>	Configures the link detection feature to detect and act upon both link-up and link-down events	IC
<code>network-access max-mac-count</code>	Sets the maximum number of MAC addresses that can be authenticated on a port via all forms of authentication	IC
<code>network-access mode mac-authentication</code>	Enables MAC authentication on an interface	IC
<code>network-access port-mac-filter</code>	Enables the specified MAC address filter	IC
<code>mac-authentication intrusion-action</code>	Determines the port response when a connected host fails MAC authentication.	IC
<code>mac-authentication max-mac-count</code>	Sets the maximum number of MAC addresses that can be authenticated on a port via MAC authentication	IC
<code>clear network-access</code>	Clears authenticated MAC addresses from the address table	PE
<code>show network-access</code>	Displays the MAC authentication settings for port interfaces	PE
<code>show network-access mac-address-table</code>	Displays information for entries in the secure MAC address table	PE
<code>show network-access mac-filter</code>	Displays information for entries in the MAC filter tables	PE

network-access aging Use this command to enable aging for authenticated MAC addresses stored in the secure MAC address table. Use the **no** form of this command to disable address aging.

Syntax

`[no] network-access aging`

Default Setting

Disabled

Command Mode

Global Configuration

Command Usage

- Authenticated MAC addresses are stored as dynamic entries in the switch's secure MAC address table and are removed when the aging time expires. The address aging time is determined by the `mac-address-table aging-time` command.
- This parameter applies to authenticated MAC addresses configured by the MAC Address Authentication process described in this section, as well as to any secure MAC addresses authenticated by 802.1X, regardless of the 802.1X Operation Mode (Single-Host, Multi-Host, or MAC-Based authentication as described under the `dot1x operation-mode` command).
- The maximum number of secure MAC addresses supported for the switch system is 1024.

Example

```
Console(config)#network-access aging
Console(config)#
```

network-access mac-filter Use this command to add a MAC address into a filter table. Use the **no** form of this command to remove the specified MAC address.

Syntax

```
network-access mac-filter filter-id
mac-address mac-address [mask mask-address]
```

```
no network-access mac-filter filter-id
mac-address mac-address mask mask-address
```

filter-id - Specifies a MAC address filter table. (Range: 1-64)

mac-address - Specifies a MAC address entry. (Format: xx-xx-xx-xx-xx-xx or xxxxxxxxxxxx)

mask - Specifies a MAC address bit mask for a range of addresses.

Default Setting

Disabled

Command Mode

Global Configuration

Command Usage

- Specified addresses are exempt from network access authentication.
- This command is different from configuring static addresses with the `mac-address-table static` command in that it allows you configure a range of addresses when using a mask, and then to assign these addresses to one or more ports with the `network-access port-mac-filter` command.

- Up to 64 filter tables can be defined.
- There is no limitation on the number of entries that can be entered in a filter table.

Example

```
Console(config)#network-access mac-filter 1 mac-address 11-22-33-44-55-66  
Console(config)#
```

mac-authentication reauth-time Use this command to set the time period after which an authenticated MAC address is removed from the secure address table. Use the **no** form of this command to restore the default value.

Syntax

mac-authentication reauth-time *seconds*

no mac-authentication reauth-time

seconds - The reauthentication time period. (Range: 120-1000000 seconds)

Default Setting

1800

Command Mode

Global Configuration

Command Usage

- The reauthentication time is a global setting and applies to all ports.
- When the reauthentication time expires for a secure MAC address it is reauthenticated with the RADIUS server. During the reauthentication process traffic through the port remains unaffected.

Example

```
Console(config)#mac-authentication reauth-time 300  
Console(config)#
```

network-access dynamic-qos Use this command to enable the dynamic QoS feature for an authenticated port. Use the **no** form to restore the default.

Syntax

[no] network-access dynamic-qos

Default Setting

Disabled

Command Mode

Interface Configuration

Command Usage

- The RADIUS server may optionally return dynamic QoS assignments to be applied to a switch port for an authenticated user. The “Filter-ID” attribute (attribute 11) can be configured on the RADIUS server to pass the following QoS information:

Table 43: Dynamic QoS Profiles

Profile	Attribute Syntax	Example
DiffServ	service-policy-in = <i>policy-map-name</i>	service-policy-in=p1
Rate Limit	rate-limit-input = <i>rate (kbps)</i>	rate-limit-input=100 (kbps)
	rate-limit-output = <i>rate (kbps)</i>	rate-limit-output=200 (kbps)
802.1p	switchport-priority-default = <i>value</i>	switchport-priority-default=2
IP ACL	ip-access-group-in = <i>ip-acl-name</i>	ip-access-group-in=ipv4acl
IPv6 ACL	ipv6-access-group-in = <i>ipv6-acl-name</i>	ipv6-access-group-in=ipv6acl
MAC ACL	mac-access-group-in = <i>mac-acl-name</i>	mac-access-group-in=macAcl

- When the last user logs off of a port with a dynamic QoS assignment, the switch restores the original QoS configuration for the port.
- When a user attempts to log into the network with a returned dynamic QoS profile that is different from users already logged on to the same port, the user is denied access.
- While a port has an assigned dynamic QoS profile, any manual QoS configuration changes only take effect after all users have logged off of the port.



Note: Any configuration changes for dynamic QoS are not saved to the switch configuration file.

Example

The following example enables the dynamic QoS feature on port 1.

```
Console(config)#interface ethernet 1/1
Console(config-if)#network-access dynamic-qos
Console(config-if)#
```

network-access dynamic-vlan Use this command to enable dynamic VLAN assignment for an authenticated port. Use the **no** form to disable dynamic VLAN assignment.

Syntax

```
[no] network-access dynamic-vlan
```

Default Setting

Enabled

Command Mode

Interface Configuration

Command Usage

- When enabled, the VLAN identifiers returned by the RADIUS server through the 802.1X authentication process will be applied to the port, providing the VLANs have already been created on the switch. GVRP is not used to create the VLANs.
- The VLAN settings specified by the first authenticated MAC address are implemented for a port. Other authenticated MAC addresses on the port must have same VLAN configuration, or they are treated as an authentication failure.
- If dynamic VLAN assignment is enabled on a port and the RADIUS server returns no VLAN configuration, the authentication is still treated as a success, and the host assigned to the default untagged VLAN.
- When the dynamic VLAN assignment status is changed on a port, all authenticated addresses are cleared from the secure MAC address table.

Example

The following example enables dynamic VLAN assignment on port 1.

```
Console(config)#interface ethernet 1/1  
Console(config-if)#network-access dynamic-vlan  
Console(config-if)#
```

network-access guest-vlan Use this command to assign all traffic on a port to a guest VLAN when 802.1x authentication or MAC authentication is rejected. Use the **no** form of this command to disable guest VLAN assignment.

Syntax

```
network-access guest-vlan vlan-id
```

```
no network-access guest-vlan
```

vlan-id - VLAN ID (Range: 1-4094)

Default Setting

Disabled

Command Mode

Interface Configuration

Command Usage

- The VLAN to be used as the guest VLAN must be defined and set as active (See the [vlan database](#) command).
- When used with 802.1X authentication, the intrusion-action must be set for “guest-vlan” to be effective (see the [dot1x intrusion-action](#) command).
- A port can only be assigned to the guest VLAN in case of failed authentication, if [switchport mode](#) is set to Hybrid.

Example

```
Console(config)#interface ethernet 1/1
Console(config-if)#network-access guest-vlan 25
Console(config-if)#
```

network-access link-detection Use this command to enable link detection for the selected port. Use the **no** form of this command to restore the default.

Syntax

```
[no] network-access link-detection
```

Default Setting

Disabled

Command Mode

Interface Configuration

Example

```
Console(config)#interface ethernet 1/1
Console(config-if)#network-access link-detection
Console(config-if)#
```

network-access link-detection link-down Use this command to detect link-down events. When detected, the switch can shut down the port, send an SNMP trap, or both. Use the **no** form of this command to disable this feature.

Syntax

```
network-access link-detection link-down  
action [shutdown | trap | trap-and-shutdown]
```

```
no network-access link-detection
```

action - Response to take when port security is violated.

shutdown - Disable port only.

trap - Issue SNMP trap message only.

trap-and-shutdown - Issue SNMP trap message and disable the port.

Default Setting

Disabled

Command Mode

Interface Configuration

Example

```
Console(config)#interface ethernet 1/1  
Console(config-if)#network-access link-detection link-down action trap  
Console(config-if)#
```

network-access link-detection link-up Use this command to detect link-up events. When detected, the switch can shut down the port, send an SNMP trap, or both. Use the **no** form of this command to disable this feature.

Syntax

```
network-access link-detection link-up  
action [shutdown | trap | trap-and-shutdown]
```

```
no network-access link-detection
```

action - Response to take when port security is violated.

shutdown - Disable port only.

trap - Issue SNMP trap message only.

trap-and-shutdown - Issue SNMP trap message and disable the port.

Default Setting

Disabled

Command Mode

Interface Configuration

Example

```
Console(config)#interface ethernet 1/1
Console(config-if)#network-access link-detection link-up action trap
Console(config-if)#
```

network-access link-detection link-up-down

Use this command to detect link-up and link-down events. When either event is detected, the switch can shut down the port, send an SNMP trap, or both. Use the **no** form of this command to disable this feature.

Syntax

```
network-access link-detection link-up-down
action [shutdown | trap | trap-and-shutdown]
```

```
no network-access link-detection
```

action - Response to take when port security is violated.

shutdown - Disable port only.

trap - Issue SNMP trap message only.

trap-and-shutdown - Issue SNMP trap message and disable the port.

Default Setting

Disabled

Command Mode

Interface Configuration

Example

```
Console(config)#interface ethernet 1/1
Console(config-if)#network-access link-detection link-up-down action trap
Console(config-if)#
```

network-access max- mac-count

Use this command to set the maximum number of MAC addresses that can be authenticated on a port interface via all forms of authentication. Use the **no** form of this command to restore the default.

Syntax

```
network-access max-mac-count count
```

```
no network-access max-mac-count
```

count - The maximum number of authenticated IEEE 802.1X and MAC addresses allowed. (Range: 1-2048)

Default Setting

1024

Command Mode

Interface Configuration

Command Usage

The maximum number of MAC addresses per port is 1024, and the maximum number of secure MAC addresses supported for the switch system is 1024. When the limit is reached, all new MAC addresses are treated as authentication failures.

Example

```
Console(config-if)#network-access max-mac-count 5  
Console(config-if)#
```

network-access mode mac-authentication

Use this command to enable network access authentication on a port. Use the **no** form of this command to disable network access authentication.

Syntax

```
[no] network-access mode mac-authentication
```

Default Setting

Disabled

Command Mode

Interface Configuration

Command Usage

- When enabled on a port, the authentication process sends a Password Authentication Protocol (PAP) request to a configured RADIUS server. The user name and password are both equal to the MAC address being authenticated.
- On the RADIUS server, PAP user name and passwords must be configured in the MAC address format XX-XX-XX-XX-XX-XX (all in upper case).
- Authenticated MAC addresses are stored as dynamic entries in the switch secure MAC address table and are removed when the aging time expires. The maximum number of secure MAC addresses supported for the switch system is 1024.
- Configured static MAC addresses are added to the secure address table when seen on a switch port. Static addresses are treated as authenticated without sending a request to a RADIUS server.
- MAC authentication cannot be configured on trunks (i.e., static nor dynamic).

- When port status changes to down, all MAC addresses are cleared from the secure MAC address table. Static VLAN assignments are not restored.
- The RADIUS server may optionally return a VLAN identifier list. VLAN identifier list is carried in the "Tunnel-Private-Group-ID" attribute. The VLAN list can contain multiple VLAN identifiers in the format "1u 2t", where "u" indicates an untagged VLAN and "t" a tagged VLAN. The "Tunnel-Type" attribute should be set to "VLAN", the "Tunnel-Medium-Type" attribute set to "802", and the "Radius:Avenda Avenda-Tag-Id" attribute should be set to 0.

Example

```
Console(config-if)#network-access mode mac-authentication
Console(config-if)#
```

network-access port-mac-filter Use this command to enable the specified MAC address filter. Use the **no** form of this command to disable the specified MAC address filter.

Syntax

network-access port-mac-filter *filter-id*

no network-access port-mac-filter

filter-id - Specifies a MAC address filter table. (Range: 1-64)

Default Setting

None

Command Mode

Interface Configuration

Command Mode

- Entries in the MAC address filter table can be configured with the [network-access mac-filter](#) command.
- Only one filter table can be assigned to a port.

Example

```
Console(config)#interface ethernet 1/1
Console(config-if)#network-access port-mac-filter 1
Console(config-if)#
```

mac-authentication intrusion-action Use this command to configure the port response to a host MAC authentication failure. Use the **no** form of this command to restore the default.

Syntax

mac-authentication intrusion-action {**block-traffic** | **pass-traffic**}

no mac-authentication intrusion-action

block-traffic - Blocks traffic when the authentication has failed.

pass-traffic - Allows network access when authentication has failed.

Default Setting

Block Traffic

Command Mode

Interface Configuration

Example

```
Console(config-if)#mac-authentication intrusion-action block-traffic
Console(config-if)#
```

mac-authentication max-mac-count Use this command to set the maximum number of MAC addresses that can be authenticated on a port via MAC authentication. Use the **no** form of this command to restore the default.

Syntax

mac-authentication max-mac-count *count*

no mac-authentication max-mac-count

count - The maximum number of MAC-authenticated MAC addresses allowed. (Range: 1-1024)

Default Setting

1024

Command Mode

Interface Configuration

Example

```
Console(config-if)#mac-authentication max-mac-count 32
Console(config-if)#
```

clear network-access Use this command to clear entries from the secure MAC addresses table.

Syntax

```
clear network-access mac-address-table [static | dynamic]  
[address mac-address] [interface interface]
```

static - Specifies static address entries.

dynamic - Specifies dynamic address entries.

mac-address - Specifies a MAC address entry. (Format: xx-xx-xx-xx-xx-xx)

interface - Specifies a port interface.

```
ethernet unit/port
```

unit - Unit identifier.

port - Port number.

Default Setting

None

Command Mode

Privileged Exec

Example

```
Console#clear network-access mac-address-table interface ethernet 1/1  
Console#
```

show network-access Use this command to display the MAC authentication settings for port interfaces.

Syntax

```
show network-access [interface interface]
```

interface - Specifies a port interface.

```
ethernet unit/port
```

unit - Unit identifier.

port - Port number.

Default Setting

Displays the settings for all interfaces.

Command Mode

Privileged Exec

Example

```
Console#show network-access interface ethernet 1/1
Global secure port information
Reauthentication Time           : 1800
MAC Address Aging              : Disabled

Port : 1/1
MAC Authentication              : Disabled
MAC Authentication Intrusion Action : Block traffic
MAC Authentication Maximum MAC Counts : 1024
Maximum MAC Counts             : 1024
Dynamic VLAN Assignment        : Enabled
Dynamic QoS Assignment         : Disabled
MAC Filter ID                  : Disabled
Guest VLAN                     : Disabled
Link Detection                  : Disabled
Detection Mode                  : Link-down
Detection Action                : Trap
Console#
```

show network-access mac-address-table Use this command to display secure MAC address table entries.

Syntax

```
show network-access mac-address-table [static | dynamic]
[address mac-address [mask]] [interface interface] [sort {address | interface}]
```

static - Specifies static address entries.

dynamic - Specifies dynamic address entries.

mac-address - Specifies a MAC address entry.
(Format: xx-xx-xx-xx-xx-xx or xxxxxxxxxxxx)

mask - Specifies a MAC address bit mask for filtering displayed addresses.

interface - Specifies a port interface.

ethernet *unit/port*

unit - Unit identifier.

port - Port number.

sort - Sorts displayed entries by either MAC address or interface.

Default Setting

Displays all filters.

Command Mode

Privileged Exec

Command Usage

When using a bit mask to filter displayed MAC addresses, a 1 means “care” and a 0 means “don't care”. For example, a MAC of 00-00-01-02-03-04 and mask FF-

FF-FF-00-00-00 would result in all MACs in the range 00-00-01-00-00-00 to 00-00-01-FF-FF-FF to be displayed. All other MACs would be filtered out.

Example

```
Console#show network-access mac-address-table
Interface MAC Address          RADIUS Server    Time              Attribute
-----
1/1       00-00-01-02-03-04  172.155.120.17  00d06h32m50s     Static
1/1       00-00-01-02-03-05  172.155.120.17  00d06h33m20s     Dynamic
1/1       00-00-01-02-03-06  172.155.120.17  00d06h35m10s     Static
1/3       00-00-01-02-03-07  172.155.120.17  00d06h34m20s     Dynamic

Console#
```

show network-access mac-filter Use this command to display information for entries in the MAC filter tables.

Syntax

```
show network-access mac-filter [filter-id]
```

filter-id - Specifies a MAC address filter table. (Range: 1-64)

Default Setting

Displays all filters.

Command Mode

Privileged Exec

Example

```
Console#show network-access mac-filter
Filter ID MAC Address          MAC Mask
-----
1 00-00-01-02-03-08  FF-FF-FF-FF-FF-FF

Console#
```

Web Authentication

Web authentication allows stations to authenticate and access the network in situations where 802.1X or Network Access authentication are infeasible or impractical. The web authentication feature allows unauthenticated hosts to request and receive a DHCP assigned IP address and perform DNS queries. All other traffic, except for HTTP protocol traffic, is blocked. The switch intercepts HTTP protocol traffic and redirects it to a switch-generated web page that facilitates user name and password authentication via RADIUS. Once authentication is successful, the web browser is forwarded on to the originally requested web page. Successful authentication is valid for all hosts connected to the port.



Note: RADIUS authentication must be activated and configured for the web authentication feature to work properly (see [“Authentication Sequence” on page 181](#)).

Note: Web authentication cannot be configured on trunk ports.

Table 44: Web Authentication

Command	Function	Mode
<code>web-auth login-attempts</code>	Defines the limit for failed web authentication login attempts	GC
<code>web-auth quiet-period</code>	Defines the amount of time to wait after the limit for failed login attempts is exceeded.	GC
<code>web-auth session-timeout</code>	Defines the amount of time a session remains valid	GC
<code>web-auth system-auth-control</code>	Enables web authentication globally for the switch	GC
<code>web-auth</code>	Enables web authentication for an interface	IC
<code>web-auth re-authenticate (Port)</code>	Ends all web authentication sessions on the port and forces the users to re-authenticate	PE
<code>web-auth re-authenticate (IP)</code>	Ends the web authentication session associated with the designated IP address and forces the user to re-authenticate	PE
<code>show web-auth</code>	Displays global web authentication parameters	PE
<code>show web-auth interface</code>	Displays interface-specific web authentication parameters and statistics	PE
<code>show web-auth summary</code>	Displays a summary of web authentication port parameters and statistics	PE

web-auth login-attempts This command defines the limit for failed web authentication login attempts. After the limit is reached, the switch refuses further login attempts until the quiet time expires. Use the **no** form to restore the default.

Syntax

web-auth login-attempts *count*

no web-auth login-attempts

count - The limit of allowed failed login attempts. (Range: 1-3)

Default Setting

3 login attempts

Command Mode

Global Configuration

Example

```
Console(config)#web-auth login-attempts 2
Console(config)#
```

web-auth quiet-period This command defines the amount of time a host must wait after exceeding the limit for failed login attempts, before it may attempt web authentication again. Use the **no** form to restore the default.

Syntax

web-auth quiet-period *time*

no web-auth quiet period

time - The amount of time the host must wait before attempting authentication again. (Range: 1-180 seconds)

Default Setting

60 seconds

Command Mode

Global Configuration

Example

```
Console(config)#web-auth quiet-period 120
Console(config)#
```

web-auth session-timeout This command defines the amount of time a web-authentication session remains valid. When the session timeout has been reached, the host is logged off and must re-authenticate itself the next time data transmission takes place. Use the **no** form to restore the default.

Syntax

web-auth session-timeout *timeout*

no web-auth session timeout

timeout - The amount of time that an authenticated session remains valid.
(Range: 300-3600 seconds)

Default Setting

3600 seconds

Command Mode

Global Configuration

Example

```
Console(config)#web-auth session-timeout 1800  
Console(config)#
```

web-auth system-auth-control This command globally enables web authentication for the switch. Use the **no** form to restore the default.

Syntax

[no] **web-auth system-auth-control**

Default Setting

Disabled

Command Mode

Global Configuration

Command Usage

Both **web-auth system-auth-control** for the switch and **web-auth** for an interface must be enabled for the web authentication feature to be active.

Example

```
Console(config)#web-auth system-auth-control  
Console(config)#
```

web-auth This command enables web authentication for an interface. Use the no form to restore the default.

Syntax

```
[no] web-auth
```

Default Setting

Disabled

Command Mode

Interface Configuration

Command Usage

Both [web-auth system-auth-control](#) for the switch and **web-auth** for a port must be enabled for the web authentication feature to be active.

Example

```
Console(config-if)#web-auth  
Console(config-if)#
```

web-auth re-authenticate (Port) This command ends all web authentication sessions connected to the port and forces the users to re-authenticate.

Syntax

```
web-auth re-authenticate interface interface
```

interface - Specifies a port interface.

```
ethernet unit/port
```

unit - Unit identifier.

port - Port number.

Default Setting

None

Command Mode

Privileged Exec

Example

```
Console#web-auth re-authenticate interface ethernet 1/2  
Console#
```

web-auth re-authenticate (IP) This command ends the web authentication session associated with the designated IP address and forces the user to re-authenticate.

Syntax

web-auth re-authenticate interface *interface ip*

interface - Specifies a port interface.

ethernet *unit/port*

unit - Unit identifier.

port - Port number.

ip - IPv4 formatted IP address

Default Setting

None

Command Mode

Privileged Exec

Example

```
Console#web-auth re-authenticate interface ethernet 1/2 192.168.1.5
Console#
```

show web-auth This command displays global web authentication parameters.

Command Mode

Privileged Exec

Example

```
Console#show web-auth
Global Web-Auth Parameters
  System Auth Control      : Enabled
  Session Timeout         : 3600
  Quiet Period            : 60
  Max Login Attempts      : 3
Console#
```

show web-auth interface This command displays interface-specific web authentication parameters and statistics.

Syntax

```
show web-auth interface interface
interface - Specifies a port interface.

ethernet unit/port
unit - Unit identifier.
port - Port number.
```

Command Mode

Privileged Exec

Example

```
Console#show web-auth interface ethernet 1/2
Web Auth Status      : Enabled

Host Summary

IP address           Web-Auth-State Remaining-Session-Time
-----
1.1.1.1              Authenticated   295
1.1.1.2              Authenticated   111
Console#
```

show web-auth summary This command displays a summary of web authentication port parameters and statistics.

Command Mode

Privileged Exec

Example

```
Console#show web-auth summary
Global Web-Auth Parameters
  System Auth Control      : Enabled
Port      Status           Authenticated Host Count
----      -
1/ 1      Disabled            0
1/ 2      Enabled              8
1/ 3      Disabled            0
1/ 4      Disabled            0
1/ 5      Disabled            0
:
```

DHCPv4 Snooping

DHCPv4 snooping allows a switch to protect a network from rogue DHCPv4 servers or other devices which send port-related information to a DHCPv4 server. This information can be useful in tracking an IP address back to a physical port. This section describes commands used to configure DHCPv4 snooping.

Table 45: DHCP Snooping Commands

Command	Function	Mode
<code>ip dhcp snooping</code>	Enables DHCP snooping globally	GC
<code>ip dhcp snooping information option</code>	Enables or disables the use of DHCP Option 82 information, and specifies frame format for the remote-id	GC
<code>ip dhcp snooping information option encode no-subtype</code>	Disables use of sub-type and sub-length for the CID/RID in Option 82 information	GC
<code>ip dhcp snooping information option remote-id</code>	Sets the remote ID to the switch's IP address, MAC address, or arbitrary string, TR-101 compliant node identifier, or removes VLAN ID from the end of the TR101 field	GC, IC
<code>ip dhcp snooping information option remote-id format user-defined</code>	Sets the DHCP snooping Option 82 remote ID user-defined format	GC, IC
<code>ip dhcp snooping information option tr101 board-id</code>	Sets the board identifier used in Option 82 information based on TR-101 syntax	GC
<code>ip dhcp snooping information policy</code>	Sets the information option policy for DHCP client packets that include Option 82 information	GC, IC
<code>ip dhcp snooping verify mac-address</code>	Verifies the client's hardware address stored in the DHCP packet against the source MAC address in the Ethernet header	GC
<code>ip dhcp snooping vlan</code>	Enables DHCP snooping on the specified VLAN	GC
<code>ip dhcp snooping information option circuit-id</code>	Enables or disables the use of DHCP Option 82 information circuit-id suboption	GC, IC
<code>ip dhcp snooping information option circuit-id format user-defined</code>	Sets the DHCP snooping Option 82 circuit ID user-defined format	GC, IC
<code>ip dhcp snooping max-number</code>	configures the maximum number of DHCP clients which can be supported per interface	IC
<code>ip dhcp snooping trust</code>	Configures the specified interface as trusted	IC
<code>clear ip dhcp snooping binding</code>	Clears DHCP snooping binding table entries from RAM	PE
<code>clear ip dhcp snooping database flash</code>	Removes all dynamically learned snooping entries from flash memory.	PE
<code>ip dhcp snooping database flash</code>	Writes all dynamically learned snooping entries to flash memory	PE
<code>show ip dhcp snooping</code>	Shows the DHCP snooping configuration settings	PE
<code>show ip dhcp snooping binding</code>	Shows the DHCP snooping binding table entries	PE

ip dhcp snooping This command enables DHCP snooping globally. Use the **no** form to restore the default setting.

Syntax

```
[no] ip dhcp snooping
```

Default Setting

Disabled

Command Mode

Global Configuration

Command Usage

- Network traffic may be disrupted when malicious DHCP messages are received from an outside source. DHCP snooping is used to filter DHCP messages received on an unsecure interface from outside the network or fire wall. When DHCP snooping is enabled globally by this command, and enabled on a VLAN interface by the `ip dhcp snooping vlan` command, DHCP messages received on an untrusted interface (as specified by the `no ip dhcp snooping trust` command) from a device not listed in the DHCP snooping table will be dropped.
- When enabled, DHCP messages entering an untrusted interface are filtered based upon dynamic entries learned via DHCP snooping.
- Table entries are only learned for trusted interfaces. Each entry includes a MAC address, IP address, lease time, VLAN identifier, and port identifier.
- When DHCP snooping is enabled, the rate limit for the number of DHCP messages that can be processed by the switch is 100 packets per second. Any DHCP packets in excess of this limit are dropped.
- Filtering rules are implemented as follows:
 - If global DHCP snooping is disabled, all DHCP packets are forwarded.
 - If DHCP snooping is enabled globally, and also enabled on the VLAN where the DHCP packet is received, all DHCP packets are forwarded for a *trusted* port. If the received packet is a DHCP ACK message, a dynamic DHCP snooping entry is also added to the binding table.
 - If DHCP snooping is enabled globally, and also enabled on the VLAN where the DHCP packet is received, but the port is *not trusted*, it is processed as follows:
 - If the DHCP packet is a reply packet from a DHCP server (including OFFER, ACK or NAK messages), the packet is dropped.

- If the DHCP packet is from a client, such as a DECLINE or RELEASE message, the switch forwards the packet only if the corresponding entry is found in the binding table.
- If the DHCP packet is from client, such as a DISCOVER, REQUEST, INFORM, DECLINE or RELEASE message, the packet is forwarded if MAC address verification is disabled (as specified by the `ip dhcp snooping verify mac-address` command). However, if MAC address verification is enabled, then the packet will only be forwarded if the client's hardware address stored in the DHCP packet is the same as the source MAC address in the Ethernet header.
- If the DHCP packet is not a recognizable type, it is dropped.
- If a DHCP packet from a client passes the filtering criteria above, it will only be forwarded to trusted ports in the same VLAN.
- If a DHCP packet is from server is received on a trusted port, it will be forwarded to both trusted and untrusted ports in the same VLAN.
- If DHCP snooping is globally disabled, all dynamic bindings are removed from the binding table.
- *Additional considerations when the switch itself is a DHCP client* – The port(s) through which the switch submits a client request to the DHCP server must be configured as trusted (using the `ip dhcp snooping trust` command). Note that the switch will not add a dynamic entry for itself to the binding table when it receives an ACK message from a DHCP server. Also, when the switch sends out DHCP client packets for itself, no filtering takes place. However, when the switch receives any messages from a DHCP server, any packets received from untrusted ports are dropped.

Example

This example enables DHCP snooping globally for the switch.

```
Console(config)#ip dhcp snooping
Console(config)#
```

ip dhcp snooping information option

This command enables the use of DHCP Option 82 information for the switch, and specifies the frame format to use for the remote-id when Option 82 information is generated by the switch. Use the **no** form without any keywords to disable this function.

Syntax

```
ip dhcp snooping information option
no ip dhcp snooping information option
```

Default Setting

Disabled

Command Mode

Global Configuration

Command Usage

- DHCP provides a relay mechanism for sending information about the switch and its DHCP clients to the DHCP server. Known as DHCP Option 82, it allows compatible DHCP servers to use the information when assigning IP addresses, or to set other services or policies for clients.
- When the DHCP Snooping Information Option 82 is enabled, the requesting client (or an intermediate relay agent that has used the information fields to describe itself) can be identified in the DHCP request packets forwarded by the switch and in reply packets sent back from the DHCP server.
- When the DHCP Snooping Information Option is enabled, clients can be identified by the switch port to which they are connected rather than just their MAC address. DHCP client-server exchange messages are then forwarded directly between the server and client without having to flood them to the entire VLAN.
- DHCP snooping must be enabled for the DHCP Option 82 information to be inserted into packets. When enabled, the switch will only add/remove option 82 information in incoming DHCP packets but not relay them. Packets are processed as follows:
 - If an incoming packet is a DHCP request packet with option 82 information, it will modify the option 82 information according to settings specified with `ip dhcp snooping information policy` command.
 - If an incoming packet is a DHCP request packet without option 82 information, enabling the DHCP snooping information option will add option 82 information to the packet.
 - If an incoming packet is a DHCP reply packet with option 82 information, enabling the DHCP snooping information option will remove option 82 information from the packet.

This example enables the DHCP Snooping Information Option.

```
Console(config)#ip dhcp snooping information option  
Console(config)#
```

ip dhcp snooping information option encode no-subtype

This command disables the use of sub-type and sub-length fields for the circuit-ID (CID) and remote-ID (RID) in Option 82 information generated by the switch. Use the **no** form to enable the use of these fields.

Syntax

[no] ip dhcp snooping information option encode no-subtype

Default Setting

CID/RID sub-type: Enabled

Command Mode

Global Configuration

Command Usage

- Option 82 information generated by the switch is based on TR-101 syntax as shown below:

Table 46: Option 82 information

82	3-69	1	1-67	x1	x2	x3	x4	x5	x63
opt82	opt-len	sub-opt1	string-len	R-124 string					

The circuit identifier used by this switch starts at sub-option 1 and goes to the end of the R-124 string. The R-124 string includes the following information:

- sub-type - Distinguishes different types of circuit IDs.
- sub-length - Length of the circuit ID type
- access node identifier - ASCII string. Default is the MAC address of the switch's CPU. This field is set by the [ip dhcp snooping information option](#) command,
- eth - The second field is the fixed string "eth"
- slot - The slot represents the stack unit for this system.
- port - The port which received the DHCP request. If the packet arrives over a trunk, the value is the ifIndex of the trunk.
- vlan - Tag of the VLAN which received the DHCP request.

Note that the sub-type and sub-length fields can be enabled or disabled using the [ip dhcp snooping information option](#) command.

- The `ip dhcp snooping information option circuit-id` command can be used to modify the default settings described above.
- The format for TR101 option 82 is: “<IP> eth <SID>/<PORT>[:<VLAN>]”. Note that the SID (Switch ID) is always 0. By default the PVID is added to the end of the TR101 field for untagged packets. For tagged packets, the VLAN ID is always added.

Example

This example enables the use of sub-type and sub-length fields for the circuit-ID (CID) and remote-ID (RID).

```
Console(config)#no ip dhcp snooping information option encode no-subtype
Console(config)#
```

ip dhcp snooping information option remote-id

This command sets the remote ID to the switch’s IP address, MAC address, or arbitrary string, TR-101 compliant node identifier, or removes VLAN ID from the end of the TR101 field. Use the **no** form to restore the default setting.

Syntax

```
ip dhcp snooping information option remote-id
{ip-address [encode {ascii | hex}] |
mac-address [encode {ascii | hex}] |
port-description |
string string [sub-option port-description [delimiter delimiter]] |
tr101 {node-identifier {ip | sysname} | no-vlan-field}}
```

```
no ip dhcp snooping information option remote-id
[ip-address encode] | [mac-address encode] | [string sub-option port-
description delimiter] | [tr101 no-vlan-field]
```

mac-address - Inserts a MAC address in the remote ID sub-option for the DHCP snooping agent (that is, the MAC address of the switch’s CPU).

ip-address - Inserts an IP address in the remote ID sub-option for the DHCP snooping agent (that is, the IP address of the management interface).

encode - Indicates encoding in ASCII or hexadecimal.

string - An arbitrary string inserted into the remote identifier field.
(Range: 1-255 characters)

port-description - Inserts the port description in the remote ID sub-option.

sub-option port-description - Include the port description string.

delimiter *delimiter* - Include the delimiter (Range 0-255)

tr101 node-identifier - The remote ID generated by the switch is based on TR-101 syntax (R-124, Access_Node_ID).

ip - Specifies the switch's IP address as the node identifier.

sysname - Specifies the system name as the node identifier.

tr101 no-vlan-field - Do not add ":VLAN" in TR101 field for untagged packets.

Default Setting

MAC address: hexadecimal

tr101 no-vlan-field: disabled

Command Mode

Global Configuration and Interface Configuration (Ethernet, Port Channel)

Command Usage

The format for TR101 option 82 is: "<IP> eth <SID>/<PORT>[:<VLAN>]".

Note that the SID (Switch ID) is always 0. By default the PVID is added to the end of the TR101 field for untagged packets. For tagged packets, the VLAN ID is always added. Use the **ip dhcp snooping information option remote-id tr101 no-vlan-field** command to remove the VLAN ID from the end of the TR101 field for untagged packets. Use the **no** form of this command to add the PVID for untagged packets at the end of the TR101 field.

Example

This example sets the remote ID to the switch's IP address.

```
Console(config)#ip dhcp snooping information option remote-id tr101
node-identifier ip
Console(config)#
```

ip dhcp snooping information option remote-id format user-defined

This command sets the DHCP snooping Option 82 remote ID user-defined format. Use the **no** form to restore the default setting.

Syntax

ip dhcp snooping information option remote-id [**vlan** {*vlan-id* | *vlan-range*}]
format user-defined *text-string*

no ip dhcp snooping information option remote-id [**vlan** {*vlan-id* | *vlan-range*}]
format user-defined

vlan-id - ID of a configured VLAN. (Range: 1-4094)

vlan-range - A list of configured VLAN IDs. Separate nonconsecutive VLAN IDs with a comma and no spaces; or use a hyphen to designate a range of VLAN IDs. (Range: 1-4094)

text-string - The DHCP Option 82 remote ID message format string. See Command Usage below for details.

Default Setting

No user-defined format configured

Command Mode

Global Configuration and Interface Configuration (Ethernet, Port Channel)

Command Usage

- The text string can use hexadecimal notation, ASCII, or combination of the two. Contents in quotation marks (" ") are encapsulated as an ASCII string, and contents outside the quotation marks are encapsulated in hexadecimal notation.

The symbol % followed by a keyword indicates the format of the keyword. Delimiters must be added between keywords, which cannot be numbers.

For example: %port "%sysname %portname:%svlan.%cvlan."

- A number to the left of the symbol % indicates the length of the following keyword. In an ASCII string, %05 has the same meaning as %05d. In a hexadecimal string, the number indicates the keyword length in bits. For example, %8svlan indicates first 8 bits of the SVLAN ID, and %2port indicates the first 2 bits of the port number.
- The symbol \ indicates an escape character. The symbols % and \ following the escape character indicate themselves. For example, \\ represents \.
- The following keywords can be used to define the Option 82 field:
 - **sysname** - Indicates the hostname of the device. This keyword is valid only in ASCII format.
 - **portname** - Indicates the name of a port. This keyword is valid only in ASCII format.
 - **mac** - Indicates the MAC address of the device. In ASCII format, the value is in the format of H-H-H; in hexadecimal notation, the value is a number of six bytes.
 - **port** - Indicates the port number. This keyword is valid in ASCII format or in hexadecimal notation. It occupies 1 byte by default.
 - **svlan** - Indicates the outer VLAN ID. The value ranges from 1 to 4094. If this field is not required, this field is 0. This keyword is valid in ASCII format or in hexadecimal notation. It occupies 2 bytes by default.

- **cvlan** - Specifies the inner VLAN ID. The value ranges from 1 to 4094. If this field is not required, this field is 0. This keyword is valid in ASCII format or in hexadecimal notation. It occupies 2 bytes by default.
- **length** - Indicates the total length of the keywords following the keyword length. It occupies 2 bytes by default.
- **d** - Indicates the value of the keyword **svlan** or **cvlan** if the SVLAN or CVLAN does not exist. This keyword is valid in ASCII format or in hexadecimal notation.
- All other symbols are processed as common characters. The rules for setting the format string in ASCII format or hexadecimal notation are as follows:
 - An ASCII character string can contain Arabic numerals, uppercase letters, lowercase letters, and the following symbols: ! @ # \$ % ^ & * () _ + | - = \ [] { } ; : ' " / ? . , < > ` .
 - By default, the length of each keyword in an ASCII character string is the actual length of the keyword.
 - A hexadecimal notation string can contain numerals, spaces, and % + keywords.
 - In a hexadecimal notation string, numbers are encapsulated in the Option 82 field in hexadecimal notation. A number from 0 to 255 occupies 1 byte; a number from 256 to 65535 occupies 2 bytes; a number from 65536 to 4294967295 occupies 4 bytes. Numbers larger than 4294967295 are not supported. Multiple numbers must be separated by spaces; otherwise, they are considered as one number.
 - All the spaces in a hexadecimal character string are ignored.
 - If the length of each keyword in a hexadecimal character string is specified, the total length of the hexadecimal character string must be a multiple of 8.
 - A hexadecimal notation string can contain only the keywords whose values are numbers. Other keywords, such as port name, cannot be added to the hexadecimal notation string.
 - If a string is not contained in quotation marks, it is encapsulated in hexadecimal notation. To encapsulate the string in the ASCII format, use a pair of quotation marks to contain the string. For example, the SVLAN is 3, and the port number is 4. If the string is in the %svlan %port format, the value of the encapsulated string is a hexadecimal number 00030004. If the string is in the "%svlan %port" format, the value of the encapsulated string is 3 4.

- All Option 82 fields configured in the system view or in the same interface view share a length of 1-255 bytes. If their total length exceeds 255 bytes, some Option 82 information will be lost.

Example

The following command configures a user-defined format for the remote ID in the Option 82 field and encapsulate the port name, outer VLAN ID, inner VLAN ID, and host name in ASCII format.

```
Console(config)#ip dhcp snooping information option remote-id format user-
defined "%portname:%svlan.%cvlan %sysname"
Console(config)#
```

ip dhcp snooping information option tr101 board-id

This command sets the board identifier used in Option 82 information based on TR-101 syntax. Use the **no** form to remove the board identifier.

Syntax

```
ip dhcp snooping information option tr101 board-id board-id
no ip dhcp snooping information option tr101 board-id

board-id – TR101 Board ID. (Range: 0-9)
```

Default Setting

not defined

Command Mode

Global Configuration

Example

This example sets the board ID to 0.

```
Console(config)#ip dhcp snooping information option tr101 board-id 0
Console(config)#
```

ip dhcp snooping information policy

This command sets the DHCP snooping information option policy for DHCP client packets that include Option 82 information. Use the **no** form to restore the default setting.

Syntax

```
ip dhcp snooping information policy {clear | drop | keep | replace}
no ip dhcp snooping information policy

clear - Clears the Option 82 information and forwards the packets to
trusted ports.
```

drop - Drops the client's request packet instead of relaying it.

keep - Retains the Option 82 information in the client request, and forwards the packets to trusted ports.

replace - Replaces the Option 82 information circuit-id and remote-id fields in the client's request with information about the relay agent itself, inserts the relay agent's address (when DHCP snooping is enabled), and forwards the packets to trusted ports.

Default Setting

replace

Command Mode

Global Configuration and Interface Configuration (Ethernet, Port Channel)

Command Usage

When the switch receives DHCP packets from clients that already include DHCP Option 82 information, the switch can be configured to set the action policy for these packets. The switch can either drop the DHCP packets, keep the existing information, clear the information, or replace it with the switch's relay information.

Example

```
Console(config)#ip dhcp snooping information policy drop
Console(config)#
```

ip dhcp snooping verify mac-address

This command verifies the client's hardware address stored in the DHCP packet against the source MAC address in the Ethernet header. Use the **no** form to disable this function.

Syntax

```
[no] ip dhcp snooping verify mac-address
```

Default Setting

Enabled

Command Mode

Global Configuration

Command Usage

If MAC address verification is enabled, and the source MAC address in the Ethernet header of the packet is not same as the client's hardware address in the DHCP packet, the packet is dropped.

Example

This example enables MAC address verification.

```
Console(config)#ip dhcp snooping verify mac-address  
Console(config)#
```

**ip dhcp snooping
vlan** This command enables DHCP snooping on the specified VLAN. Use the **no** form to restore the default setting.

Syntax

[no] ip dhcp snooping vlan *vlan-id*

vlan-id - ID of a configured VLAN (Range: 1-4094)

Default Setting

Disabled

Command Mode

Global Configuration

Command Usage

- When DHCP snooping is enabled globally using the [ip dhcp snooping](#) command, and enabled on a VLAN with this command, DHCP packet filtering will be performed on any untrusted ports within the VLAN as specified by the [ip dhcp snooping trust](#) command.
- When the DHCP snooping is globally disabled, DHCP snooping can still be configured for specific VLANs, but the changes will not take effect until DHCP snooping is globally re-enabled.
- When DHCP snooping is globally enabled, and then disabled on a VLAN, all dynamic bindings learned for this VLAN are removed from the binding table.

Example

This example enables DHCP snooping for VLAN 1.

```
Console(config)#ip dhcp snooping vlan 1  
Console(config)#
```

ip dhcp snooping information option circuit-id

This command specifies DHCP Option 82 circuit-id suboption information. Use the **no** form to use the default settings.

Syntax

```
ip dhcp snooping information option circuit-id string string |  
{tr101 {node-identifier {ip | sysname} | no-vlan-field}}
```

```
no dhcp snooping information option circuit-id [tr101 no-vlan-field]
```

string - An arbitrary string inserted into the circuit identifier field.
(Range: 1-255 characters)

tr101 node-identifier - The remote ID generated by the switch is based on TR-101 syntax (R-124, Access_Node_ID).

ip - Specifies the switch's IP address as the node identifier.

sysname - Specifies the system name as the node identifier.

tr101 no-vlan-field - Do not add ":VLAN" in TR101 field for untagged packets.

Default Setting

VLAN-Unit-Port

Command Mode

Global Configuration and Interface Configuration (Ethernet, Port Channel)

Command Usage

- DHCP provides a relay mechanism for sending information about the switch and its DHCP clients to the DHCP server. DHCP Option 82 allows compatible DHCP servers to use the information when assigning IP addresses, to set other services or policies for clients. For more information of this process, refer to the Command Usage section under the [ip dhcp snooping information option](#) command.
- Option 82 information generated by the switch is based on TR-101 syntax as shown below:

Table 47: Option 82 information

82	3-69	1	1-67	x1	x2	x3	x4	x5	x63
opt82	opt-len	sub-opt1	string-len	R-124 string					

The circuit identifier used by this switch starts at sub-option 1 and goes to the end of the R-124 string. The R-124 string includes the following information:

- sub-type - Distinguishes different types of circuit IDs.
- sub-length - Length of the circuit ID type

- access node identifier - ASCII string. Default is the MAC address of the switch's CPU. This field is set by the `ip dhcp snooping information option` command,
 - eth - The second field is the fixed string "eth"
 - slot - The slot represents the stack unit for this system.
 - port - The port which received the DHCP request. If the packet arrives over a trunk, the value is the ifIndex of the trunk.
 - vlan - Tag of the VLAN which received the DHCP request.
- Note that the sub-type and sub-length fields can be enabled or disabled using the `ip dhcp snooping information option` command.
- The `ip dhcp snooping information option circuit-id` command can be used to modify the default settings described above.
- The format for TR101 option 82 is: "<IP> eth <SID>/<PORT>[:<VLAN>]". Note that the SID (Switch ID) is always 0. By default the PVID is added to the end of the TR101 field for untagged packets. For tagged packets, the VLAN ID is always added. Use the `ip dhcp snooping information option remote-id tr101 no-vlan-field` command to remove the VLAN ID from the end of the TR101 field for untagged packets. Use the `no` form of this command to add the PVID for untagged packets at the end of the TR101 field.

Example

This example sets the DHCP Snooping Information circuit-id suboption string.

```
Console(config)#interface ethernet 1/1
Console(config-if)#ip dhcp snooping information option circuit-id string 4500
Console(config-if)#
```

ip dhcp snooping information option circuit-id format user-defined

This command sets the DHCP snooping Option 82 circuit ID user-defined format. Use the `no` form to restore the default setting.

Syntax

`ip dhcp snooping information option circuit-id [vlan {vlan-id | vlan-range}]
format user-defined text-string`

`no ip dhcp snooping information option circuit-id [vlan {vlan-id | vlan-range}]
format`

vlan-id - ID of a configured VLAN. (Range: 1-4094)

vlan-range - A list of configured VLAN IDs. Separate nonconsecutive VLAN IDs with a comma and no spaces; or use a hyphen to designate a range of VLAN IDs. (Range: 1-4094)

text-string - The DHCP Option 82 circuit ID message format string. See Command Usage below for details.

Default Setting

No user-defined format configured

Command Mode

Global Configuration and Interface Configuration (Ethernet, Port Channel)

Command Usage

- The text string can use hexadecimal notation, ASCII, or combination of the two. Contents in quotation marks (" ") are encapsulated as an ASCII string, and contents outside the quotation marks are encapsulated in hexadecimal notation.

The symbol % followed by a keyword indicates the format of the keyword. Delimiters must be added between keywords, which cannot be numbers.

For example: %port "%sysname %portname:%svlan.%cvlan."

- A number to the left of the symbol % indicates the length of the following keyword. In an ASCII string, %05 has the same meaning as %05d. In a hexadecimal string, the number indicates the keyword length in bits. For example, %8svlan indicates first 8 bits of the SVLAN ID, and %2port indicates the first 2 bits of the port number.
- The symbol \ indicates an escape character. The symbols % and \ following the escape character indicate themselves. For example, \\ represents \.
- The following keywords can be used to define the Option 82 field:
 - **sysname** - Indicates the hostname of the device. This keyword is valid only in ASCII format.
 - **portname** - Indicates the name of a port. This keyword is valid only in ASCII format.
 - **mac** - Indicates the MAC address of the device. In ASCII format, the value is in the format of H-H-H; in hexadecimal notation, the value is a number of six bytes.
 - **port** - Indicates the port number. This keyword is valid in ASCII format or in hexadecimal notation. It occupies 1 byte by default.
 - **svlan** - Indicates the outer VLAN ID. The value ranges from 1 to 4094. If this field is not required, this field is 0. This keyword is valid in ASCII format or in hexadecimal notation. It occupies 2 bytes by default.
 - **cvlan** - Specifies the inner VLAN ID. The value ranges from 1 to 4094. If this field is not required, this field is 0. This keyword is valid in ASCII format or in hexadecimal notation. It occupies 2 bytes by default.

- **length** - Indicates the total length of the keywords following the keyword length. It occupies 2 bytes by default.
- **d** - Indicates the value of the keyword **svlan** or **cvlan** if the SVLAN or CVLAN does not exist. This keyword is valid in ASCII format or in hexadecimal notation.
- All other symbols are processed as common characters. The rules for setting the format string in ASCII format or hexadecimal notation are as follows:
 - An ASCII character string can contain Arabic numerals, uppercase letters, lowercase letters, and the following symbols: ! @ # \$ % ^ & * () _ + | - = \ [] { } ; : ' " / ? . , < > `.
 - By default, the length of each keyword in an ASCII character string is the actual length of the keyword.
 - A hexadecimal notation string can contain numerals, spaces, and % + keywords.
 - In a hexadecimal notation string, numbers are encapsulated in the Option 82 field in hexadecimal notation. A number from 0 to 255 occupies 1 byte; a number from 256 to 65535 occupies 2 bytes; a number from 65536 to 4294967295 occupies 4 bytes. Numbers larger than 4294967295 are not supported. Multiple numbers must be separated by spaces; otherwise, they are considered as one number.
 - All the spaces in a hexadecimal character string are ignored.
 - If the length of each keyword in a hexadecimal character string is specified, the total length of the hexadecimal character string must be a multiple of 8.
 - A hexadecimal notation string can contain only the keywords whose values are numbers. Other keywords, such as port name, cannot be added to the hexadecimal notation string.
 - If a string is not contained in quotation marks, it is encapsulated in hexadecimal notation. To encapsulate the string in the ASCII format, use a pair of quotation marks to contain the string. For example, the SVLAN is 3, and the port number is 4. If the string is in the %svlan %port format, the value of the encapsulated string is a hexadecimal number 00030004. If the string is in the "%svlan %port" format, the value of the encapsulated string is 3 4.
- All Option 82 fields configured in the system view or in the same interface view share a length of 1-255 bytes. If their total length exceeds 255 bytes, some Option 82 information will be lost.

Example

The following command configures a user-defined format for the remote ID in the Option 82 field and encapsulate the port name, outer VLAN ID, inner VLAN ID, and host name in ASCII format.

```
Console(config)#ip dhcp snooping information option circuit-id format user-  
defined "%portname:%svlan.%cvlan %sysname"  
Console(config)#
```

ip dhcp snooping max-number This command configures the maximum number of DHCP clients which can be supported per interface. Use the **no** form to restore the default setting.

Syntax

ip dhcp snooping max-number {*max-number* | **filter-only**}

no ip dhcp snooping max-number

max-number - Maximum number of DHCP clients. (Range: 1-16)

filter-only - Only filters DHCP packets based on the trust status of a port interface and the content of packets. No binding entry is added and the number of clients is not limited.

Default Setting

16

Command Mode

Interface Configuration (Ethernet, Port Channel)

Command Usage

- The filter-only mode may be used if the client number is larger than the maximum binding limit and there is no demand for IP Source Guard and Dynamic Arp Inspection (which both rely on binding entries).
- When the filter-only mode is enabled, all existing binding entries on a port interface are cleared.

Example

This example sets the maximum number of DHCP clients supported on port 1 to 2.

```
Console(config)#interface ethernet 1/1  
Console(config-if)#ip dhcp snooping max-number 2  
Console(config-if)#
```


ip dhcp snooping trust This command configures the specified interface as trusted. Use the **no** form to restore the default setting.

Syntax

```
[no] ip dhcp snooping trust
```

Default Setting

All interfaces are untrusted

Command Mode

Interface Configuration (Ethernet, Port Channel)

Command Usage

- A trusted interface is an interface that is configured to receive only messages from within the network. An untrusted interface is an interface that is configured to receive messages from outside the network or fire wall.
- Set all ports connected to DHCP servers within the local network or fire wall to trusted, and all other ports outside the local network or fire wall to untrusted.
- When DHCP snooping is enabled globally using the **ip dhcp snooping** command, and enabled on a VLAN with **ip dhcp snooping vlan** command, DHCP packet filtering will be performed on any untrusted ports within the VLAN according to the default status, or as specifically configured for an interface with the **no ip dhcp snooping trust** command.
- When an untrusted port is changed to a trusted port, all the dynamic DHCP snooping bindings associated with this port are removed.
- *Additional considerations when the switch itself is a DHCP client* – The port(s) through which it submits a client request to the DHCP server must be configured as trusted.

Example

This example sets port 5 to untrusted.

```
Console(config)#interface ethernet 1/5
Console(config-if)#no ip dhcp snooping trust
Console(config-if)#
```

clear ip dhcp snooping binding This command clears DHCP snooping binding table entries from RAM. Use this command without any optional keywords to clear all entries from the binding table.

Syntax

clear ip dhcp snooping binding [*mac-address* **vlan** *vlan-id*]

mac-address - Specifies a MAC address entry. (Format: xx-xx-xx-xx-xx-xx or xxxxxxxxxxxx)

vlan-id - ID of a configured VLAN (Range: 1-4094)

Command Mode

Privileged Exec

Example

```
Console#clear ip dhcp snooping binding 11-22-33-44-55-66 192.168.1.234
Console#
```

clear ip dhcp snooping database flash This command removes all dynamically learned snooping entries from flash memory.

Command Mode

Privileged Exec

Example

```
Console#clear ip dhcp snooping database flash
Console#
```

ip dhcp snooping database flash This command writes all dynamically learned snooping entries to flash memory.

Command Mode

Privileged Exec

Command Usage

This command can be used to store the currently learned dynamic DHCP snooping entries to flash memory. These entries will be restored to the snooping table when the switch is reset. However, note that the lease time shown for a dynamic entry that has been restored from flash memory will no longer be valid.

Example

```
Console#ip dhcp snooping database flash
Console#
```

show ip dhcp snooping This command shows the DHCP snooping configuration settings.

Command Mode

Privileged Exec

Example

```

Console#show ip dhcp snooping

Global DHCP Snooping Status: enabled
DHCP Snooping Information Option Status: disabled
DHCP Snooping Information Option Sub-option Format: extra subtype included
DHCP Snooping Information Option Remote ID: port-description
DHCP Snooping Information Option Remote ID TR101 VLAN Field: enabled
DHCP Snooping Information Option TR101 Board ID: none
DHCP Snooping Information Policy: replace
DHCP Snooping is configured on the following VLANs:

Verify Source MAC-Address: enabled
DHCP Snooping Rate Limit: unlimited
DHCP Snooping Information Option Remote ID User-defined Format:
  Global:

  VLANs:

  Interfaces:

  Interfaces and VLANs:

DHCP Snooping Information Option Circuit ID User-defined Format:
  Global:

  VLANs:

  Interfaces:

  Interfaces and VLANs:

Interface Trusted Max-Num Circuit-ID Circuit-ID Circuit-ID
-----
Eth 1/1 No 16 VLAN-Unit-Port --- enabled none
Eth 1/2 No 16 VLAN-Unit-Port --- enabled none
Eth 1/3 No 16 VLAN-Unit-Port --- enabled none
Eth 1/4 No 16 VLAN-Unit-Port --- enabled none
Eth 1/5 No 16 VLAN-Unit-Port --- enabled none
:
:
:

```

show ip dhcp snooping binding

This command shows the DHCP snooping binding table entries.

Command Mode
Privileged Exec

Example

```

Console#show ip dhcp snooping binding
-----
MAC Address      IP Address      Lease(sec)  Type           VLAN  Interface
-----
11-22-33-44-55-66 192.168.0.99      0          Dynamic-DHCP  1     Eth 1/5
Console#
    
```

DHCPv6 Snooping

DHCPv6 snooping allows a switch to protect a network from rogue DHCPv6 servers or other devices which send port-related information to a DHCPv6 server. This information can be useful in tracking an IP address back to a physical port. This section describes commands used to configure DHCPv6 snooping.

Table 48: DHCP Snooping Commands

Command	Function	Mode
<code>ipv6 dhcp snooping</code>	Enables DHCPv6 snooping globally	GC
<code>ipv6 dhcp snooping option remote-id</code>	Enables insertion of DHCPv6 Option 37 relay agent remote-id	GC, IC
<code>ipv6 dhcp snooping option remote-id format user-defined</code>	Sets the DHCPv6 snooping Option 37 remote ID user-defined format	GC, IC
<code>ipv6 dhcp snooping option interface-id</code>	Enables insertion of DHCPv6 Option 18 relay agent interface-id	GC, IC
<code>ipv6 dhcp snooping option interface-id format user-defined</code>	Sets the DHCPv6 snooping Option 18 interface ID user-defined format	GC, IC
<code>ipv6 dhcp snooping option remote-id policy</code>	Sets the information option policy for DHCPv6 client packets that include Option 37 information	GC, IC
<code>ipv6 dhcp snooping option interface-id policy</code>	Sets the information option policy for DHCPv6 client packets that include Option 18 information	GC, IC
<code>ipv6 dhcp snooping vlan</code>	Enables DHCPv6 snooping on the specified VLAN	GC
<code>ipv6 dhcp snooping max-binding</code>	Sets the maximum number of entries which can be stored in the binding database for an interface	IC
<code>ipv6 dhcp snooping trust</code>	Configures the specified interface as trusted	IC
<code>clear ipv6 dhcp snooping binding</code>	Clears DHCPv6 snooping binding table entries from RAM	PE
<code>clear ipv6 dhcp snooping statistics</code>	Clears statistical counters for DHCPv6 snooping client, server and relay packets	PE
<code>show ipv6 dhcp snooping</code>	Shows the DHCPv6 snooping configuration settings	PE

Table 48: DHCP Snooping Commands (Continued)

Command	Function	Mode
<code>show ipv6 dhcp snooping binding</code>	Shows the DHCPv6 snooping binding table entries	PE
<code>show ipv6 dhcp snooping statistics</code>	Shows statistics for DHCPv6 snooping client, server and relay packets	PE

ipv6 dhcp snooping This command enables DHCPv6 snooping globally. Use the **no** form to restore the default setting.

Syntax

`[no] ipv6 dhcp snooping`

Default Setting

Disabled

Command Mode

Global Configuration

Command Usage

- Network traffic may be disrupted when malicious DHCPv6 messages are received from an outside source. DHCPv6 snooping is used to filter DHCPv6 messages received on an unsecure interface from outside the network or fire wall. When DHCPv6 snooping is enabled globally by this command, and enabled on a VLAN interface by the `ipv6 dhcp snooping vlan` command, DHCP messages received on an untrusted interface (as specified by the `no ipv6 dhcp snooping trust` command) from a device not listed in the DHCPv6 snooping table will be dropped.
- When enabled, DHCPv6 messages entering an untrusted interface are filtered based upon dynamic entries learned via DHCPv6 snooping.
- Table entries are only learned for trusted interfaces. Each entry includes a MAC address, IPv6 address, lease time, binding type, VLAN identifier, and port identifier.
- When DHCPv6 snooping is enabled, the rate limit for the number of DHCPv6 messages that can be processed by the switch is 100 packets per second. Any DHCPv6 packets in excess of this limit are dropped.
- Filtering rules are implemented as follows:
 - If global DHCPv6 snooping is disabled, all DHCPv6 packets are forwarded.

- If DHCPv6 snooping is enabled globally, and also enabled on the VLAN where the DHCPv6 packet is received, DHCPv6 packets are forwarded for a *trusted* port as described below.
- If DHCPv6 snooping is enabled globally, and also enabled on the VLAN where the DHCP packet is received, but the port is *not trusted*, DHCP packets are processed according to message type as follows:

DHCP Client Packet

- Request: Update entry in binding cache, recording client's DHCPv6 Unique Identifier (DUID), server's DUID, Identity Association (IA) type, IA Identifier, and address (4 message exchanges to get IPv6 address), and forward to trusted port.
- Solicit: Add new entry in binding cache, recording client's DUID, IA type, IA ID (2 message exchanges to get IPv6 address with rapid commit option, otherwise 4 message exchanges), and forward to trusted port.
- Decline: If no matching entry is found in binding cache, drop this packet.
- Renew, Rebind, Release, Confirm: If no matching entry is found in binding cache, drop this packet.
- If the DHCPv6 packet is not a recognizable type, it is dropped.

If a DHCPv6 packet from a client passes the filtering criteria above, it will only be forwarded to trusted ports in the same VLAN.

DHCP Server Packet

- If a DHCP server packet is received on an *untrusted* port, drop this packet and add a log entry in the system.
- If a DHCPv6 Reply packet is received from a server on a *trusted* port, it will be processed in the following manner:
 - a. Check if IPv6 address in IA option is found in binding table:
 - If yes, continue to C.
 - If not, continue to B.
 - b. Check if IPv6 address in IA option is found in binding cache:
 - If yes, continue to C.
 - If not, check failed, and forward packet to trusted port.

- c. Check status code in IA option:
 - If successful, and entry is in binding table, update lease time and forward to original destination.
 - If successful, and entry is in binding cache, move entry from binding cache to binding table, update lease time and forward to original destination.
 - Otherwise, remove binding entry. and check failed.
 - If a DHCPv6 Relay packet is received, check the relay message option in Relay-Forward or Relay-Reply packet, and process client and server packets as described above.
- If DHCPv6 snooping is globally disabled, all dynamic bindings are removed from the binding table.
- *Additional considerations when the switch itself is a DHCPv6 client* – The port(s) through which the switch submits a client request to the DHCPv6 server must be configured as trusted (using the `ipv6 dhcp snooping trust` command). Note that the switch will not add a dynamic entry for itself to the binding table when it receives an ACK message from a DHCPv6 server. Also, when the switch sends out DHCPv6 client packets for itself, no filtering takes place. However, when the switch receives any messages from a DHCPv6 server, any packets received from untrusted ports are dropped.

Example

This example enables DHCPv6 snooping globally for the switch.

```
Console(config)#ipv6 dhcp snooping
Console(config)#
```

ipv6 dhcp snooping option remote-id

This command enables the insertion of remote-id Option 37 information into DHCPv6 client messages. Remote-id option information such as the port attached to the client, DUID, and VLAN ID is used by the DHCPv6 server to assign preassigned configuration data specific to the DHCPv6 client. Use the **no** form of the command to disable this function.

Syntax

```
[no] ipv6 dhcp snooping option remote-id
```

Default Setting

Disabled

Command Mode

Global Configuration and Interface Configuration (Ethernet, Port Channel)

Command Usage

- DHCPv6 provides a relay mechanism for sending information about the switch and its DHCPv6 clients to the DHCPv6 server. Known as DHCPv6 Option 37, it allows compatible DHCPv6 servers to use the information when assigning IP addresses, or to set other services or policies for clients.
- When DHCPv6 Snooping Information Option 37 is enabled, the requesting client (or an intermediate relay agent that has used the information fields to describe itself) can be identified in the DHCPv6 request packets forwarded by the switch and in reply packets sent back from the DHCPv6 server.
- When the DHCPv6 Snooping Option 37 is enabled, clients can be identified by the switch port to which they are connected rather than just their MAC address. DHCPv6 client-server exchange messages are then forwarded directly between the server and client without having to flood them to the entire VLAN.
- DHCPv6 snooping must be enabled for the DHCPv6 Option 37 information to be inserted into packets. When enabled, the switch will either drop, keep or remove option 37 information in incoming DHCPv6 packets. Packets are processed as follows:
 - If an incoming packet is a DHCPv6 request packet with option 37 information, it will modify the option 37 information according to settings specified with `ipv6 dhcp snooping option remote-id policy` command.
 - If an incoming packet is a DHCPv6 request packet without option 37 information, enabling the DHCPv6 snooping information option will add option 37 information to the packet.
 - If an incoming packet is a DHCPv6 reply packet with option 37 information, enabling the DHCPv6 snooping information option will remove option 37 information from the packet.
- When this switch inserts Option 37 information in DHCPv6 client request packets, the switch's MAC address (hexadecimal) is used for the remote ID.

Example

This example enables the DHCPv6 Snooping Remote-ID Option.

```
Console(config)#ipv6 dhcp snooping option remote-id  
Console(config)#
```


**ipv6 dhcp snooping
option remote-id
format user-defined**

This command sets the DHCPv6 snooping Option 37 remote ID user-defined format. Use the **no** form to restore the default setting.

Syntax

ipv6 dhcp snooping option remote-id [vlan {*vlan-id* | *vlan-range*}] **format user-defined** *text-string*

no ipv6 dhcp snooping option remote-id [vlan {*vlan-id* | *vlan-range*}] **format**
vlan-id - ID of a configured VLAN. (Range: 1-4094)

vlan-range - A list of configured VLAN IDs. Separate nonconsecutive VLAN IDs with a comma and no spaces; or use a hyphen to designate a range of VLAN IDs. (Range: 1-4094)

text-string - The DHCPv6 Option 37 remote ID message format string. See Command Usage below for details.

Default Setting

No user-defined format configured

Command Mode

Global Configuration and Interface Configuration (Ethernet, Port Channel)

Command Usage

- The text string can use hexadecimal notation, ASCII, or combination of the two. Contents in quotation marks (" ") are encapsulated as an ASCII string, and contents outside the quotation marks are encapsulated in hexadecimal notation.

The symbol % followed by a keyword indicates the format of the keyword. Delimiters must be added between keywords, which cannot be numbers.

For example: %port "%sysname %portname:%svlan.%cvlan."

- A number to the left of the symbol % indicates the length of the following keyword. In an ASCII string, %05 has the same meaning as %05d. In a hexadecimal string, the number indicates the keyword length in bits. For example, %8svlan indicates first 8 bits of the SVLAN ID, and %2port indicates the first 2 bits of the port number.
- The symbol \ indicates an escape character. The symbols % and \ following the escape character indicate themselves. For example, \\ represents \.
- The following keywords can be used to define the Option 37 field:
 - **sysname** - Indicates the hostname of the device. This keyword is valid only in ASCII format.
 - **portname** - Indicates the name of a port. This keyword is valid only in ASCII format.

- **mac** - Indicates the MAC address of the device. In ASCII format, the value is in the format of H-H-H; in hexadecimal notation, the value is a number of six bytes.
- **port** - Indicates the port number. This keyword is valid in ASCII format or in hexadecimal notation. It occupies 1 byte by default.
- **svlan** - Indicates the outer VLAN ID. The value ranges from 1 to 4094. If this field is not required, this field is 0. This keyword is valid in ASCII format or in hexadecimal notation. It occupies 2 bytes by default.
- **cvlan** - Specifies the inner VLAN ID. The value ranges from 1 to 4094. If this field is not required, this field is 0. This keyword is valid in ASCII format or in hexadecimal notation. It occupies 2 bytes by default.
- **length** - Indicates the total length of the keywords following the keyword length. It occupies 2 bytes by default.
- **d** - Indicates the value of the keyword **svlan** or **cvlan** if the SVLAN or CVLAN does not exist. This keyword is valid in ASCII format or in hexadecimal notation.
- All other symbols are processed as common characters. The rules for setting the format string in ASCII format or hexadecimal notation are as follows:
 - An ASCII character string can contain Arabic numerals, uppercase letters, lowercase letters, and the following symbols: ! @ # \$ % ^ & * () _ + | - = \ [] { } ; : ' " / ? . , < > `.
 - By default, the length of each keyword in an ASCII character string is the actual length of the keyword.
 - A hexadecimal notation string can contain numerals, spaces, and % + keywords.
 - In a hexadecimal notation string, numbers are encapsulated in the Option 82 field in hexadecimal notation. A number from 0 to 255 occupies 1 byte; a number from 256 to 65535 occupies 2 bytes; a number from 65536 to 4294967295 occupies 4 bytes. Numbers larger than 4294967295 are not supported. Multiple numbers must be separated by spaces; otherwise, they are considered as one number.
 - All the spaces in a hexadecimal character string are ignored.
 - If the length of each keyword in a hexadecimal character string is specified, the total length of the hexadecimal character string must be a multiple of 8.
 - A hexadecimal notation string can contain only the keywords whose values are numbers. Other keywords, such as port name, cannot be added to the hexadecimal notation string.

- If a string is not contained in quotation marks, it is encapsulated in hexadecimal notation. To encapsulate the string in the ASCII format, use a pair of quotation marks to contain the string. For example, the SVLAN is 3, and the port number is 4. If the string is in the %svlan %port format, the value of the encapsulated string is a hexadecimal number 00030004. If the string is in the "%svlan %port" format, the value of the encapsulated string is 3 4.
- All Option 82 fields configured in the system view or in the same interface view share a length of 1-255 bytes. If their total length exceeds 255 bytes, some Option 82 information will be lost.

Example

The following command configures a user-defined format for the remote ID in the Option 37 field and encapsulate the port name, outer VLAN ID, inner VLAN ID, and host name in ASCII format.

```
Console(config)#ipv6 dhcp snooping option remote-id format user-defined
"%portname:%svlan.%cvlan %sysname"
Console(config)#
```

ipv6 dhcp snooping option interface-id

This command enables the insertion of interface-ID Option 18 information into DHCPv6 client messages. Use the **no** form of the command to disable this function.

Syntax

```
[no] ipv6 dhcp snooping option interface-id
```

Default Setting

Disabled

Command Mode

Global Configuration and Interface Configuration (Ethernet, Port Channel)

Example

```
Console(config)#ipv6 dhcp snooping option interface-id
Console(config)#
```

ipv6 dhcp snooping option interface-id format user-defined

This command sets the DHCPv6 snooping Option 18 interface ID user-defined format. Use the **no** form to restore the default setting.

Syntax

```
ipv6 dhcp snooping option interface-id [vlan {vlan-id | vlan-range}] format  
user-defined text-string
```

```
no ipv6 dhcp snooping option interface-id [vlan {vlan-id | vlan-range}] format
```

vlan-id - ID of a configured VLAN. (Range: 1-4094)

vlan-range - A list of configured VLAN IDs. Separate nonconsecutive VLAN IDs with a comma and no spaces; or use a hyphen to designate a range of VLAN IDs. (Range: 1-4094)

text-string - The DHCPv6 Option 18 interface ID message format string. See Command Usage below for details.

Default Setting

No user-defined format configured

Command Mode

Global Configuration and Interface Configuration (Ethernet, Port Channel)

Command Usage

- The text string can use hexadecimal notation, ASCII, or combination of the two. Contents in quotation marks (" ") are encapsulated as an ASCII string, and contents outside the quotation marks are encapsulated in hexadecimal notation.

The symbol % followed by a keyword indicates the format of the keyword. Delimiters must be added between keywords, which cannot be numbers.

For example: %port "%sysname %portname:%svlan.%cvlan."

- A number to the left of the symbol % indicates the length of the following keyword. In an ASCII string, %05 has the same meaning as %05d. In a hexadecimal string, the number indicates the keyword length in bits. For example, %8svlan indicates first 8 bits of the SVLAN ID, and %2port indicates the first 2 bits of the port number.
- The symbol \ indicates an escape character. The symbols % and \ following the escape character indicate themselves. For example, \\ represents \.
- The following keywords can be used to define the Option 18 field:
 - **sysname** - Indicates the hostname of the device. This keyword is valid only in ASCII format.
 - **portname** - Indicates the name of a port. This keyword is valid only in ASCII format.

- **mac** - Indicates the MAC address of the device. In ASCII format, the value is in the format of H-H-H; in hexadecimal notation, the value is a number of six bytes.
- **port** - Indicates the port number. This keyword is valid in ASCII format or in hexadecimal notation. It occupies 1 byte by default.
- **svlan** - Indicates the outer VLAN ID. The value ranges from 1 to 4094. If this field is not required, this field is 0. This keyword is valid in ASCII format or in hexadecimal notation. It occupies 2 bytes by default.
- **cvlan** - Specifies the inner VLAN ID. The value ranges from 1 to 4094. If this field is not required, this field is 0. This keyword is valid in ASCII format or in hexadecimal notation. It occupies 2 bytes by default.
- **length** - Indicates the total length of the keywords following the keyword length. It occupies 2 bytes by default.
- **d** - Indicates the value of the keyword **svlan** or **cvlan** if the SVLAN or CVLAN does not exist. This keyword is valid in ASCII format or in hexadecimal notation.
- All other symbols are processed as common characters. The rules for setting the format string in ASCII format or hexadecimal notation are as follows:
 - An ASCII character string can contain Arabic numerals, uppercase letters, lowercase letters, and the following symbols: ! @ # \$ % ^ & * () _ + | - = \ [] { } ; : ' " / ? . , < > `.
 - By default, the length of each keyword in an ASCII character string is the actual length of the keyword.
 - A hexadecimal notation string can contain numerals, spaces, and % + keywords.
 - In a hexadecimal notation string, numbers are encapsulated in the Option 82 field in hexadecimal notation. A number from 0 to 255 occupies 1 byte; a number from 256 to 65535 occupies 2 bytes; a number from 65536 to 4294967295 occupies 4 bytes. Numbers larger than 4294967295 are not supported. Multiple numbers must be separated by spaces; otherwise, they are considered as one number.
 - All the spaces in a hexadecimal character string are ignored.
 - If the length of each keyword in a hexadecimal character string is specified, the total length of the hexadecimal character string must be a multiple of 8.
 - A hexadecimal notation string can contain only the keywords whose values are numbers. Other keywords, such as port name, cannot be added to the hexadecimal notation string.

- If a string is not contained in quotation marks, it is encapsulated in hexadecimal notation. To encapsulate the string in the ASCII format, use a pair of quotation marks to contain the string. For example, the SVLAN is 3, and the port number is 4. If the string is in the %svlan %port format, the value of the encapsulated string is a hexadecimal number 00030004. If the string is in the "%svlan %port" format, the value of the encapsulated string is 3 4.
- All Option 18 fields configured in the system view or in the same interface view share a length of 1-255 bytes. If their total length exceeds 255 bytes, some Option 18 information will be lost.

Example

The following command configures a user-defined format for the interface ID in the Option 18 field and encapsulate the port name, outer VLAN ID, inner VLAN ID, and host name in ASCII format.

```
Console(config)#ipv6 dhcp snooping option interface-id format user-defined  
"%portname:%svlan.%cvlan %sysname"  
Console(config)#
```

ipv6 dhcp snooping option remote-id policy

This command sets the remote-ID option policy for DHCPv6 client packets that include Option 37 information. Use the **no** form to disable this function.

Syntax

ipv6 dhcp snooping option remote-id policy {clear | drop | keep | replace}

no ipv6 dhcp snooping option remote-id policy

clear - Clears the Option 37 remote-ID information and forwards the packets to trusted ports.

drop - Drops the client's request packet instead of relaying it.

keep - Retains the Option 37 information in the client request, and forwards the packets to trusted ports.

replace - Replaces the Option 37 remote-ID in the client's request with the relay agent's remote-ID (when DHCPv6 snooping is enabled), and forwards the packets to trusted ports.

Default Setting

drop

Command Mode

Global Configuration and Interface Configuration (Ethernet, Port Channel)

Command Usage

When the switch receives DHCPv6 packets from clients that already include DHCP Option 37 information, the switch can be configured to set the action policy for these packets. The switch can either drop the DHCPv6 packets, keep the existing information, clear the information, or replace it with the switch's relay agent information.

Example

This example configures the switch to keep existing remote-ID Option 37 information within DHCPv6 client packets and forward it.

```
Console(config)#ipv6 dhcp snooping option remote-id policy keep
Console(config)#
```

ipv6 dhcp snooping option interface-id policy

This command sets the interface-ID option policy for DHCPv6 client packets that include Option 18 information. Use the **no** form to disable this function.

Syntax

```
ipv6 dhcp snooping option interface-id policy {clear | drop | keep | replace}
no ipv6 dhcp snooping option interface-id policy
```

clear - Clears the Option 18 interface-ID information and forwards the packets to trusted ports.

drop - Drops the client's request packet instead of relaying it.

keep - Retains the Option 18 information in the client request, and forwards the packets to trusted ports.

replace - Replaces the Option 18 interface-ID in the client's request with the relay agent's interface-ID (when DHCPv6 snooping is enabled), and forwards the packets to trusted ports.

Default Setting

drop

Command Mode

Global Configuration and Interface Configuration (Ethernet, Port Channel)

Command Usage

When the switch receives DHCPv6 packets from clients that already include DHCP Option 18 information, the switch can be configured to set the action policy for these packets. The switch can either drop the DHCPv6 packets, keep the existing information, clear the information, or replace it with the switch's relay agent information.

Example

This example configures the switch to keep existing interface-ID Option 18 information within DHCPv6 client packets and forward it.

```
Console(config)#ipv6 dhcp snooping option interface-id policy keep
Console(config)#
```

ipv6 dhcp snooping vlan This command enables DHCPv6 snooping on the specified VLAN. Use the **no** form to restore the default setting.

Syntax

[no] ipv6 dhcp snooping vlan {*vlan-id* | *vlan-range*}

vlan-id - ID of a configured VLAN (Range: 1-4094)

vlan-range - A consecutive range of VLANs indicated by the use a hyphen, or a random group of VLANs with each entry separated by a comma.

Default Setting

Disabled

Command Mode

Global Configuration

Command Usage

- When DHCPv6 snooping enabled globally using the [ipv6 dhcp snooping](#) command, and enabled on a VLAN with this command, DHCPv6 packet filtering will be performed on any untrusted ports within the VLAN as specified by the [ipv6 dhcp snooping trust](#) command.
- When the DHCPv6 snooping is globally disabled, DHCPv6 snooping can still be configured for specific VLANs, but the changes will not take effect until DHCPv6 snooping is globally re-enabled.
- When DHCPv6 snooping is enabled globally, and then disabled on a VLAN, all dynamic bindings learned for this VLAN are removed from the binding table.

Example

This example enables DHCPv6 snooping for VLAN 1.

```
Console(config)#ipv6 dhcp snooping vlan 1
Console(config)#
```


ipv6 dhcp snooping max-binding This command sets the maximum number of entries which can be stored in the binding database for an interface. Use the **no** form to restore the default setting.

Syntax

```
ipv6 dhcp snooping max-binding count
```

```
no ipv6 dhcp snooping max-binding
```

count - Maximum number of entries. (Range: 1-5)

Default Setting

5

Command Mode

Interface Configuration (Ethernet, Port Channel)

Example

This example sets the maximum number of binding entries to 1.

```
Console(config)#interface ethernet 1/1
Console(config-if)#ipv6 dhcp snooping max-binding 1
Console(config-if)#
```

ipv6 dhcp snooping trust This command configures the specified interface as trusted. Use the **no** form to restore the default setting.

Syntax

```
[no] ipv6 dhcp snooping trust
```

Default Setting

All interfaces are untrusted

Command Mode

Interface Configuration (Ethernet, Port Channel)

Command Usage

- A trusted interface is an interface that is configured to receive only messages from within the network. An untrusted interface is an interface that is configured to receive messages from outside the network or fire wall.
- Set all ports connected to DHCPv6 servers within the local network or fire wall to trusted, and all other ports outside the local network or fire wall to untrusted.
- When DHCPv6 snooping is enabled globally using the [ipv6 dhcp snooping](#) command, and enabled on a VLAN with [ipv6 dhcp snooping vlan](#) command, DHCPv6 packet filtering will be performed on any untrusted ports within the

VLAN according to the default status, or as specifically configured for an interface with the **no ipv6 dhcp snooping trust** command.

- When an untrusted port is changed to a trusted port, all the dynamic DHCPv6 snooping bindings associated with this port are removed.
- *Additional considerations when the switch itself is a DHCPv6 client* – The port(s) through which it submits a client request to the DHCPv6 server must be configured as trusted.

Example

This example sets port 5 to untrusted.

```
Console(config)#interface ethernet 1/5
Console(config-if)#no ipv6 dhcp snooping trust
Console(config-if)#
```

clear ipv6 dhcp snooping binding

This command clears DHCPv6 snooping binding table entries from RAM. Use this command without any optional keywords to clear all entries from the binding table.

Syntax

clear ipv6 dhcp snooping binding [*mac-address ipv6-address*]

mac-address - Specifies a MAC address entry. (Format: xx-xx-xx-xx-xx-xx or xxxxxxxxxxxx)

ipv6-address - Corresponding IPv6 address. This address must be entered according to RFC 2373 "IPv6 Addressing Architecture," using 8 colon-separated 16-bit hexadecimal values. One double colon may be used in the address to indicate the appropriate number of zeros required to fill the undefined fields.

Command Mode

Privileged Exec

Example

```
Console(config)#clear ipv6 dhcp snooping binding 00-12-cf-01-02-03 2001::1
Console(config)#
```

clear ipv6 dhcp snooping statistics

This command clears statistical counters for DHCPv6 snooping client, server and relay packets.

Command Mode

Privileged Exec

Example

```
Console(config)#clear ipv6 dhcp snooping statistics
Console(config)#
```

show ipv6 dhcp snooping This command shows the DHCPv6 snooping configuration settings.

Command Mode

Privileged Exec

Example

```
Console#show ipv6 dhcp snooping
Global DHCPv6 Snooping status: disabled
DHCPv6 Snooping remote-id option status: disabled
DHCPv6 Snooping remote-id policy: drop
DHCPv6 Snooping interface-id option status: disabled
DHCPv6 Snooping interface-id policy: drop
DHCPv6 Snooping is configured on the following VLANs:

DHCPV6 Snooping Information Option Remote ID User-defined Format:
Global:

VLANs:

Interfaces:

Interfaces and VLANs:

DHCPV6 Snooping Information Option Interface ID User-defined Format:
Global:

VLANs:

Interfaces:

Interfaces and VLANs:

Interface          Trusted          Max-binding     Current-binding
-----          -
Eth 1/1            No               5               0
Eth 1/2            No               5               0
Eth 1/3            No               5               0
Eth 1/4            No               5               0
Eth 1/5            Yes              5               0
:
:
```

show ipv6 dhcp snooping binding This command shows the DHCPv6 snooping binding table entries.

Command Mode
Privileged Exec

Example

```
Console#show ipv6 dhcp snooping binding
NA - Non-temporary address
TA - Temporary address
-----
Link-layer Address: 00-13-49-aa-39-26
IPv6 Address                               Lifetime   VLAN Port   Type
-----
2001:b021:1435:5612:ab3c:6792:a452:6712   2591998   1 Eth 1/5   NA
-----
Link-layer Address: 00-12-cf-01-02-03
IPv6 Address                               Lifetime   VLAN Port   Type
-----
2001:b000::1                               2591912   1 Eth 1/3   NA
Console#
```

show ipv6 dhcp snooping statistics This command shows statistics for DHCPv6 snooping client, server and relay packets.

Command Mode
Privileged Exec

Example

```
Console#show ipv6 dhcp snooping statistics
DHCPv6 Snooping Statistics:
  Client Packet: Solicit, Request, Confirm, Renew, Rebind,
                Decline, Release, Information-request
  Server Packet: Advertise, Reply, Reconfigure
  Relay Packet: Relay-forward, Relay-reply
State   Client   Server   Relay   Total
-----
Received 10       9        0       19
Sent     9        9        0       18
Dropped  1        0        0        1
Console#
```

IPv4 Source Guard

IPv4 Source Guard is a security feature that filters IPv4 traffic on network interfaces based on manually configured entries in the IPv4 Source Guard table, or dynamic entries in the DHCPv4 Snooping table when enabled (see “[DHCPv4 Snooping](#)” on [page 272](#)). IPv4 source guard can be used to prevent traffic attacks caused when a host tries to use the IPv4 address of a neighbor to access the network. This section describes commands used to configure IPv4 Source Guard.

Table 49: IPv4 Source Guard Commands

Command	Function	Mode
<code>ip source-guard binding</code>	Adds a static address to the source-guard binding table	GC
<code>ip source-guard</code>	Configures the switch to filter inbound traffic based on source IP address, or source IP address and corresponding MAC address	IC
<code>ip source-guard max-binding</code>	Sets the maximum number of entries that can be bound to an interface	IC
<code>ip source-guard mode</code>	Sets the source-guard learning mode to search for addresses in the ACL binding table or the MAC address binding table	IC
<code>clear ip source-guard binding blocked</code>	Remove all blocked records	PE
<code>show ip source-guard</code>	Shows whether source guard is enabled or disabled on each interface	PE
<code>show ip source-guard binding</code>	Shows the source guard binding table	PE

ip source-guard binding This command adds a static address to the source-guard ACL or MAC address binding table. Use the **no** form to remove a static entry.

Syntax

```
ip source-guard binding [mode {acl | mac}] mac-address
vlan vlan-id ip-address interface ethernet unit/port-list
```

```
no ip source-guard binding [mode {acl | mac}] mac-address ip-address
```

mode - Specifies the binding mode.

acl - Adds binding to ACL table.

mac - Adds binding to MAC address table.

mac-address - A valid unicast MAC address.

vlan-id - ID of a configured VLAN for an ACL filtering table or a range of VLANs for a MAC address filtering table. To specify a list separate nonconsecutive VLAN identifiers with a comma and no spaces; use a hyphen to designate a range of IDs. (Range: 1-4094)

ip-address - A valid unicast IP address, including classful types A, B or C.

unit - Unit identifier. (Range: 1)

port-list - Physical port number or list of port numbers. Separate nonconsecutive port numbers with a comma and no spaces; or use a hyphen to designate a range of port numbers. (Range: 1-18)

Default Setting

No configured entries

Command Mode

Global Configuration

Command Usage

- If the binding mode is not specified in this command, the entry is bound to the ACL table by default.
- Table entries include a MAC address, IP address, lease time, entry type (Static-IP-SG-Binding, Dynamic-DHCP-Binding), VLAN identifier, and port identifier.
- All static entries are configured with an infinite lease time, which is indicated with a value of zero by the [show ip source-guard](#) command.
- When source guard is enabled, traffic is filtered based upon dynamic entries learned via DHCP snooping, or static addresses configured in the source guard binding table with this command.
- An entry with same MAC address and a different VLAN ID cannot be added to the binding table.
- Static bindings are processed as follows:
 - A valid static IP source guard entry will be added to the binding table in ACL mode if one of the following conditions is true:
 - If there is no binding entry with the same VLAN ID and MAC address, a new entry will be added to the binding table using the type of static IP source guard binding.
 - If there is an entry with the same VLAN ID and MAC address, and the type of entry is static IP source guard binding, then the new entry will replace the old one.
 - If there is an entry with the same VLAN ID and MAC address, and the type of the entry is dynamic DHCP snooping binding, then the new entry will replace the old one and the entry type will be changed to static IP source guard binding.
 - Note that a static IP source guard entry cannot be added for a non-existent VLAN.
 - A valid static IP source guard entry will be added to the binding table in MAC mode if one of the following conditions are true:

- If there is no binding entry with the same IP address and MAC address, a new entry will be added to the binding table using the type of static IP source guard binding entry.
 - If there is a binding entry with same IP address and MAC address, then the new entry shall replace the old one.
- Only unicast addresses are accepted for static bindings.

Example

This example configures a static source-guard binding on port 5. Since the binding mode is not specified, the entry is bound to the ACL table by default.

```
Console(config)#ip source-guard binding 00-E0-4C-68-14-79 vlan 1 192.168.0.99
interface ethernet 1/5
Console(config-if)#
```

ip source-guard This command configures the switch to filter inbound traffic based on source IP address, or source IP address and corresponding MAC address. Use the **no** form to disable this function.

Syntax

ip source-guard {sip | sip-mac}

no ip source-guard

sip - Filters traffic based on IP addresses stored in the binding table.

sip-mac - Filters traffic based on IP addresses and corresponding MAC addresses stored in the binding table.

Default Setting

Disabled

Command Mode

Interface Configuration (Ethernet)

Command Usage

- Source guard is used to filter traffic on an insecure port which receives messages from outside the network or fire wall, and therefore may be subject to traffic attacks caused by a host trying to use the IP address of a neighbor.
- Setting source guard mode to “sip” or “sip-mac” enables this function on the selected port. Use the “sip” option to check the VLAN ID, source IP address, and port number against all entries in the binding table. Use the “sip-mac” option to check these same parameters, plus the source MAC address. Use the **no ip source guard** command to disable this function on the selected port.

- When enabled, traffic is filtered based upon dynamic entries learned via DHCP snooping, or static addresses configured in the source guard binding table.
- Table entries include a MAC address, IP address, lease time, entry type (Static-IP-SG-Binding, Dynamic-DHCP-Binding, VLAN identifier, and port identifier).
- Static addresses entered in the source guard binding table with the `ip source-guard binding` command are automatically configured with an infinite lease time. Dynamic entries learned via DHCP snooping are configured by the DHCP server itself.
- If the IP source guard is enabled, an inbound packet's IP address (sip option) or both its IP address and corresponding MAC address (sip-mac option) will be checked against the binding table. If no matching entry is found, the packet will be dropped.
- Filtering rules are implemented as follows:
 - If DHCPv4 snooping is disabled (see [page 273](#)), IP source guard will check the VLAN ID, source IP address, port number, and source MAC address (for the sip-mac option). If a matching entry is found in the binding table and the entry type is static IP source guard binding, the packet will be forwarded.
 - If the DHCP snooping is enabled, IP source guard will check the VLAN ID, source IP address, port number, and source MAC address (for the sip-mac option). If a matching entry is found in the binding table and the entry type is static IP source guard binding, or dynamic DHCP snooping binding, the packet will be forwarded.
 - If IP source guard is enabled on an interface for which IP source bindings (dynamically learned via DHCP snooping or manually configured) are not yet configured, the switch will drop all IP traffic on that port, except for DHCP packets allowed by DHCP snooping.
 - Only unicast addresses are accepted for static bindings.

Example

This example enables IP source guard on port 5.

```
Console(config)#interface ethernet 1/5
Console(config-if)#ip source-guard sip
Console(config-if)#
```


ip source-guard max-binding This command sets the maximum number of entries that can be bound to an interface. Use the **no** form to restore the default setting.

Syntax

```
ip source-guard [mode {acl | mac}] max-binding number
```

```
no ip source-guard [mode {acl | mac}] max-binding
```

mode - Specifies the learning mode.

acl - Searches for addresses in the ACL table.

mac - Searches for addresses in the MAC address table.

number - The maximum number of IP addresses that can be mapped to an interface in the binding table. (Range: 1-32)

Default Setting

Mode: ACL, Maximum Binding: 5

Mode: MAC, Maximum Binding: 1024

Command Mode

Interface Configuration (Ethernet)

Command Usage

- This command sets the maximum number of address entries that can be mapped to an interface in the binding table for the specified mode (ACL binding table or MAC address table) including dynamic entries discovered by DHCP snooping and static entries set by the **ip source-guard** command.
- The maximum binding for ACL mode restricts the number of “active” entries per port. If binding entries exceed the maximum number in IP source guard, only the maximum number of binding entries will be set. Dynamic binding entries exceeding the maximum number will be created but will not be active.
- The maximum binding for MAC mode restricts the number of MAC addresses learned per port. Authenticated IP traffic with different source MAC addresses cannot be learned if it would exceed this maximum number.

Example

This example sets the maximum number of allowed entries for ACL mode in the binding table for port 5 to one entry. The mode is not specified, and therefore defaults to the ACL binding table.

```
Console(config)#interface ethernet 1/5
Console(config-if)#ip source-guard max-binding 1
Console(config-if)#
```

ip source-guard mode This command sets the source-guard learning mode to search for addresses in the ACL binding table or the MAC address binding table. Use the **no** form to restore the default setting.

Syntax

```
ip source-guard mode {acl | mac}
```

```
no ip source-guard mode
```

mode - Specifies the learning mode.

acl - Searches for addresses in the ACL binding table.

mac - Searches for addresses in the MAC address binding table.

Default Setting

ACL

Command Mode

Interface Configuration (Ethernet)

Command Usage

There are two modes for the filtering table:

- ACL - IP traffic will be forwarded if it passes the checking process in the ACL mode binding table.
- MAC - A MAC entry will be added in MAC address table if IP traffic passes the checking process in MAC mode binding table.

Example

This command sets the binding table mode for the specified interface to MAC mode:

```
Console(config)#interface ethernet 1/5
Console(config-if)#ip source-guard mode mac
Console(config-if)#
```

clear ip source-guard binding blocked This command clears source-guard binding table entries from RAM.

Syntax

```
clear ip source-guard binding blocked
```

Command Mode

Privileged Exec

Command Usage

When IP Source-Guard detects an invalid packet it creates a blocked record. These records can be viewed using the [show ip source-guard binding blocked](#) command.

A maximum of 512 blocked records can be stored before the switch overwrites the oldest record with new blocked records. Use the **clear ip source-guard binding blocked** command to clear this table.

Example

This command clears the blocked record table.

```
Console(config)#clear ip source-guard binding blocked
Console(config)#
```

show ip source-guard This command shows whether source guard is enabled or disabled on each interface.

Command Mode

Privileged Exec

Example

```
Console#show ip source-guard
```

Interface	Filter-type	Filter-table	ACL Table Max-binding	MAC Table Max-binding
Eth 1/1	DISABLED	ACL	5	1024
Eth 1/2	DISABLED	ACL	5	1024
Eth 1/3	DISABLED	ACL	5	1024
Eth 1/4	DISABLED	ACL	5	1024
Eth 1/5	DISABLED	ACL	5	1024
⋮				

show ip source-guard binding This command shows the source guard binding table.

Syntax

```
show ip source-guard binding [dhcp-snooping | static [acl | mac] |
blocked [vlan vlan-id | interface interface]
```

dhcp-snooping - Shows dynamic entries configured with DHCP Snooping commands (see [page 272](#))

static - Shows static entries configured with the **ip source-guard binding** command.

acl - Shows static entries in the ACL binding table.

mac - Shows static entries in the MAC address binding table.

blocked - Shows MAC addresses which have been blocked by IP Source Guard.

vlan-id - ID of a configured VLAN (Range: 1-4094)

interface - Specifies a port interface.

ethernet *unit/port*

unit - Unit identifier.

port - Port number.

Command Mode

Privileged Exec

Example

```

Console#show ip source-guard binding
-----
MAC Address      IP Address      Type           VLAN      Interface
-----
00-10-b5-f4-d0-01 10.2.44.96     static-acl     1 Eth 1/1
Console#
    
```

IPv6 Source Guard

IPv6 Source Guard is a security feature that filters IPv6 traffic on non-routed, Layer 2 network interfaces based on manually configured entries in the IPv6 Source Guard table, or dynamic entries in the Neighbor Discovery Snooping table or DHCPv6 Snooping table when either snooping protocol is enabled (see [“DHCPv6 Snooping” on page 292](#)). IPv6 source guard can be used to prevent traffic attacks caused when a host tries to use the IPv6 address of a neighbor to access the network. This section describes commands used to configure IPv6 Source Guard.

Table 50: IPv6 Source Guard Commands

Command	Function	Mode
<code>ipv6 source-guard binding</code>	Adds a static address to the source-guard binding table	GC
<code>ipv6 source-guard</code>	Configures the switch to filter inbound traffic based on source IP address	IC
<code>ipv6 source-guard max-binding</code>	Sets the maximum number of entries that can be bound to an interface	IC
<code>show ipv6 source-guard</code>	Shows whether source guard is enabled or disabled on each interface	PE
<code>show ipv6 source-guard binding</code>	Shows the source guard binding table	PE

`ipv6 source-guard binding`

This command adds a static address to the source-guard binding table. Use the **no** form to remove a static entry.

Syntax

```

ipv6 source-guard binding mac-address vlan vlan-id ipv6-address
interface interface
    
```

no ipv6 source-guard binding *mac-address ipv6-address*

mac-address - A valid unicast MAC address.

vlan-id - ID of a configured VLAN (Range: 1-4094)

ipv6-address - Corresponding IPv6 address. This address must be entered according to RFC 2373 "IPv6 Addressing Architecture," using 8 colon-separated 16-bit hexadecimal values. One double colon may be used in the address to indicate the appropriate number of zeros required to fill the undefined fields.

interface

ethernet *unit/port*

unit - Unit identifier.

port - Port number.

Default Setting

No configured entries

Command Mode

Global Configuration

Command Usage

- Table entries include an associated MAC address, IPv6 global unicast address, entry type (Static-IPv6-SG-Binding, Dynamic-ND-Snooping, Dynamic-DHCPv6-Snooping), VLAN identifier, and port identifier.
- Traffic filtering is based only on the source IPv6 address, VLAN ID, and port number.
- All static entries are configured with an infinite lease time, which is indicated with a value of zero by the `show ipv6 source-guard` command.
- When source guard is enabled, traffic is filtered based upon dynamic entries learned via ND snooping, DHCPv6 snooping, or static addresses configured in the source guard binding table with this command.
- An entry with same MAC address and a different VLAN ID cannot be added to the binding table.
- Static bindings are processed as follows:
 - If there is no entry with same and MAC address and IPv6 address, a new entry is added to binding table using static IPv6 source guard binding.
 - If there is an entry with same MAC address and IPv6 address, and the type of entry is static IPv6 source guard binding, then the new entry will replace the old one.

- If there is an entry with same MAC address and IPv6 address, and the type of the entry is either a dynamic ND snooping binding or DHCPv6 snooping binding, then the new entry will replace the old one and the entry type will be changed to static IPv6 source guard binding.
- Only unicast addresses are accepted for static bindings.

Example

This example configures a static source-guard binding on port 5.

```
Console(config)#ipv6 source-guard binding 00-ab-11-cd-23-45 vlan 1 2001::1  
interface ethernet 1/5  
Console(config)#
```

ipv6 source-guard This command configures the switch to filter inbound traffic based on the source IP address stored in the binding table. Use the **no** form to disable this function.

Syntax

```
ipv6 source-guard sip  
no ipv6 source-guard
```

Default Setting

Disabled

Command Mode

Interface Configuration (Ethernet)

Command Usage

- Source guard is used to filter traffic on an insecure port which receives messages from outside the network or fire wall, and therefore may be subject to traffic attacks caused by a host trying to use the IP address of a neighbor.
- This command checks the VLAN ID, IPv6 global unicast source IP address, and port number against all entries in the binding table. Use the **no ipv6 source guard** command to disable this function on the selected port.
- After IPv6 source guard is enabled on an interface, the switch initially blocks all IPv6 traffic received on that interface, except for ND packets allowed by ND snooping and DHCPv6 packets allowed by DHCPv6 snooping. A port access control list (ACL) is applied to the interface. Traffic is then filtered based upon dynamic entries learned via ND snooping or DHCPv6 snooping, or static addresses configured in the source guard binding table. The port allows only IPv6 traffic with a matching entry in the binding table and denies all other IPv6 traffic.

- Table entries include a MAC address, IPv6 global unicast address, entry type (Static-IPv6-SG-Binding, Dynamic-ND-Snooping, Dynamic-DHCPv6-Snooping), VLAN identifier, and port identifier.
- Static addresses entered in the source guard binding table with the `ipv6 source-guard binding` command are automatically configured with an infinite lease time. Dynamic entries learned via DHCPv6 snooping are configured by the DHCPv6 server itself.
- If IPv6 source guard is enabled, an inbound packet's source IPv6 address will be checked against the binding table. If no matching entry is found, the packet will be dropped.
- Filtering rules are implemented as follows:
 - If ND snooping and DHCPv6 snooping are disabled, IPv6 source guard will check the VLAN ID, source IPv6 address, and port number. If a matching entry is found in the binding table and the entry type is static IPv6 source guard binding, the packet will be forwarded.
 - If ND snooping or DHCPv6 snooping is enabled, IPv6 source guard will check the VLAN ID, source IP address, and port number. If a matching entry is found in the binding table and the entry type is static IPv6 source guard binding, dynamic ND snooping binding, or dynamic DHCPv6 snooping binding, the packet will be forwarded.
 - If IPv6 source guard is enabled on an interface for which IPv6 source bindings (dynamically learned via ND snooping or DHCPv6 snooping, or manually configured) are not yet configured, the switch will drop all IPv6 traffic on that port, except for ND packets and DHCPv6 packets allowed by DHCPv6 snooping.
 - Only IPv6 global unicast addresses are accepted for static bindings.

Example

This example enables IP source guard on port 5.

```

Console(config)#interface ethernet 1/5
Console(config-if)#ipv6 source-guard sip
Console(config-if)#
    
```

ipv6 source-guard max-binding This command sets the maximum number of entries that can be bound to an interface. Use the **no** form to restore the default setting.

Syntax

ipv6 source-guard max-binding *number*

no ipv6 source-guard max-binding

number - The maximum number of IPv6 addresses that can be mapped to an interface in the binding table. (Range: 1-5)

Default Setting

5

Command Mode

Interface Configuration (Ethernet)

Command Usage

- This command sets the maximum number of address entries that can be mapped to an interface in the binding table, including both dynamic entries discovered by ND snooping, DHCPv6 snooping, and static entries set by the **ipv6 source-guard** command.
- IPv6 source guard maximum bindings must be set to a value higher than DHCPv6 snooping maximum bindings and ND snooping maximum bindings.
- If IPv6 source guard, ND snooping, and DHCPv6 snooping are enabled on a port, the dynamic bindings used by ND snooping, DHCPv6 snooping, and IPv6 source guard static bindings cannot exceed the maximum allowed bindings set by the **ipv6 source-guard max-binding** command. In other words, no new entries will be added to the IPv6 source guard binding table.
- If IPv6 source guard is enabled on a port, and the maximum number of allowed bindings is changed to a lower value, precedence is given to deleting entries learned through DHCPv6 snooping, ND snooping, and then manually configured IPv6 source guard static bindings, until the number of entries in the binding table reaches the newly configured maximum number of allowed bindings.

Example

This example sets the maximum number of allowed entries in the binding table for port 5 to one entry.

```
Console(config)#interface ethernet 1/5
Console(config-if)#ipv6 source-guard max-binding 1
Console(config-if)#
```


show ipv6 source-guard This command shows whether IPv6 source guard is enabled or disabled on each interface, and the maximum allowed bindings.

Command Mode

Privileged Exec

Example

```
Console#show ipv6 source-guard
ipv6 permit link-local status: disable
```

Interface	Filter-type	Max-binding
Eth 1/1	Disabled	5
Eth 1/2	Disabled	5
Eth 1/3	Disabled	5
Eth 1/4	Disabled	5
Eth 1/5	SIP	1
Eth 1/6	Disabled	5
:		

show ipv6 source-guard binding This command shows the IPv6 source guard binding table.

Syntax

show ipv6 source-guard binding [dynamic | static]

dynamic - Shows dynamic entries configured with ND Snooping or DHCPv6 Snooping commands (see [page 292](#))

static - Shows static entries configured with the **ipv6 source-guard binding** command.

Command Mode

Privileged Exec

Example

```
Console#show ipv6 source-guard binding
DHCPV6SNP:
  DHCP - Stateful address
NDSNP:
  ND - Stateless address
STA - Static IPv6 source guard binding
```

MAC Address	IPv6 Address	VLAN	Interface	Type
00AB-11CD-2345	2001::1	1	Eth 1/5	STA

ARP Inspection

ARP Inspection validates the MAC-to-IP address bindings in Address Resolution Protocol (ARP) packets. It protects against ARP traffic with invalid address bindings, which forms the basis for certain “man-in-the-middle” attacks. This is accomplished by intercepting all ARP requests and responses and verifying each of these packets before the local ARP cache is updated or the packet is forwarded to the appropriate destination, dropping any invalid ARP packets.

ARP Inspection determines the validity of an ARP packet based on valid IP-to-MAC address bindings stored in a trusted database – the DHCP snooping binding database. ARP Inspection can also validate ARP packets against user-configured ARP access control lists (ACLs) for hosts with statically configured IP addresses.

This section describes commands used to configure ARP Inspection.

Table 51: ARP Inspection Commands

Command	Function	Mode
<code>ip arp inspection</code>	Enables ARP Inspection globally on the switch	GC
<code>ip arp inspection filter</code>	Specifies an ARP ACL to apply to one or more VLANs	GC
<code>ip arp inspection log-buffer logs</code>	Sets the maximum number of entries saved in a log message, and the rate at these messages are sent	GC
<code>ip arp inspection validate</code>	Specifies additional validation of address components in an ARP packet	GC
<code>ip arp inspection vlan</code>	Enables ARP Inspection for a specified VLAN or range of VLANs	GC
<code>ip arp inspection limit</code>	Sets a rate limit for the ARP packets received on a port	IC
<code>ip arp inspection trust</code>	Sets a port as trusted, and thus exempted from ARP Inspection	IC
<code>show ip arp inspection configuration</code>	Displays the global configuration settings for ARP Inspection	PE
<code>show ip arp inspection interface</code>	Shows the trust status and inspection rate limit for ports	PE
<code>show ip arp inspection log</code>	Shows information about entries stored in the log, including the associated VLAN, port, and address components	PE
<code>show ip arp inspection statistics</code>	Shows statistics about the number of ARP packets processed, or dropped for various reasons	PE
<code>show ip arp inspection vlan</code>	Shows configuration setting for VLANs, including ARP Inspection status, the ARP ACL name, and if the DHCP Snooping database is used after ACL validation is completed	PE

ip arp inspection This command enables ARP Inspection globally on the switch. Use the **no** form to disable this function.

Syntax

```
[no] ip arp inspection
```

Default Setting

Disabled

Command Mode

Global Configuration

Command Usage

- When ARP Inspection is enabled globally with this command, it becomes active only on those VLANs where it has been enabled with the `ip arp inspection vlan` command.
- When ARP Inspection is enabled globally and enabled on selected VLANs, all ARP request and reply packets on those VLANs are redirected to the CPU and their switching is handled by the ARP Inspection engine.
- When ARP Inspection is disabled globally, it becomes inactive for all VLANs, including those where ARP Inspection is enabled.
- When ARP Inspection is disabled, all ARP request and reply packets bypass the ARP Inspection engine and their manner of switching matches that of all other packets.
- Disabling and then re-enabling global ARP Inspection will not affect the ARP Inspection configuration for any VLANs.
- When ARP Inspection is disabled globally, it is still possible to configure ARP Inspection for individual VLANs. These configuration changes will only become active after ARP Inspection is globally enabled again.

Example

```
Console(config)#ip arp inspection
Console(config)#
```

ip arp inspection filter This command specifies an ARP ACL to apply to one or more VLANs. Use the **no** form to remove an ACL binding. Use the **no** form to remove an ACL binding.

Syntax

ip arp inspection filter *arp-acl-name* **vlan** {*vlan-id* | *vlan-range*} [**static**]

no ip arp inspection filter *arp-acl-name* **vlan** {*vlan-id* | *vlan-range*}

arp-acl-name - Name of an ARP ACL. (Maximum length: 16 characters)

vlan-id - VLAN ID. (Range: 1-4094)

vlan-range - A consecutive range of VLANs indicated by the use a hyphen, or a random group of VLANs with each entry separated by a comma.

static - ARP packets are only validated against the specified ACL, address bindings in the DHCP snooping database is not checked.

Default Setting

ARP ACLs are not bound to any VLAN

Static mode is not enabled

Command Mode

Global Configuration

Command Usage

- ARP ACLs are configured with the commands described under [“ARP ACLs” on page 361](#).
- If static mode is enabled, the switch compares ARP packets to the specified ARP ACLs. Packets matching an IP-to-MAC address binding in a permit or deny rule are processed accordingly. Packets not matching any of the ACL rules are dropped. Address bindings in the DHCP snooping database are not checked.
- If static mode is not enabled, packets are first validated against the specified ARP ACL. Packets matching a deny rule are dropped. All remaining packets are validated against the address bindings in the DHCP snooping database.

Example

```
Console(config)#ip arp inspection filter sales vlan 1
Console(config)#
```

ip arp inspection log-buffer logs This command sets the maximum number of entries saved in a log message, and the rate at which these messages are sent. Use the **no** form to restore the default settings.

Syntax

ip arp inspection log-buffer logs *message-number* *interval* *seconds*

no ip arp inspection log-buffer logs

message-number - The maximum number of entries saved in a log message. (Range: 0-256, where 0 means no events are saved and no messages sent)

seconds - The interval at which log messages are sent. (Range: 0-86400)

Default Setting

Message Number: 20

Interval: 10 seconds

Command Mode

Global Configuration

Command Usage

- ARP Inspection must be enabled with the **ip arp inspection** command before this command will be accepted by the switch.
- By default, logging is active for ARP Inspection, and cannot be disabled.
- When the switch drops a packet, it places an entry in the log buffer. Each entry contains flow information, such as the receiving VLAN, the port number, the source and destination IP addresses, and the source and destination MAC addresses.
- If multiple, identical invalid ARP packets are received consecutively on the same VLAN, then the logging facility will only generate one entry in the log buffer and one corresponding system message.
- The maximum number of entries that can be stored in the log buffer is determined by the *message-number* parameter. If the log buffer fills up before a message is sent, the oldest entry will be replaced with the newest one.
- The switch generates a system message on a rate-controlled basis determined by the *seconds* values. After the system message is generated, all entries are cleared from the log buffer.

Example

```
Console(config)#ip arp inspection log-buffer logs 1 interval 10
Console(config)#
```

ip arp inspection validate This command specifies additional validation of address components in an ARP packet. Use the **no** form to restore the default setting.

Syntax

```
ip arp inspection validate  
{dst-mac [ip [allow-zeros] [src-mac]] |  
ip [allow-zeros] [src-mac] | src-mac}
```

no ip arp inspection validate

dst-mac - Checks the destination MAC address in the Ethernet header against the target MAC address in the ARP body. This check is performed for ARP responses. When enabled, packets with different MAC addresses are classified as invalid and are dropped.

ip - Checks the ARP body for invalid and unexpected IP addresses. Addresses include 0.0.0.0, 255.255.255.255, and all IP multicast addresses. Sender IP addresses are checked in all ARP requests and responses, while target IP addresses are checked only in ARP responses.

allow-zeros - Allows sender IP address to be 0.0.0.0.

src-mac - Checks the source MAC address in the Ethernet header against the sender MAC address in the ARP body. This check is performed on both ARP requests and responses. When enabled, packets with different MAC addresses are classified as invalid and are dropped.

Default Setting

No additional validation is performed

Command Mode

Global Configuration

Command Usage

By default, ARP Inspection only checks the IP-to-MAC address bindings specified in an ARP ACL or in the DHCP Snooping database.

Example

```
Console(config)#ip arp inspection validate dst-mac  
Console(config)#
```

ip arp inspection vlan This command enables ARP Inspection for a specified VLAN or range of VLANs. Use the **no** form to disable this function.

Syntax

```
[no] ip arp inspection vlan {vlan-id | vlan-range}
```

vlan-id - VLAN ID. (Range: 1-4094)

vlan-range - A consecutive range of VLANs indicated by the use a hyphen, or a random group of VLANs with each entry separated by a comma.

Default Setting

Disabled on all VLANs

Command Mode

Global Configuration

Command Usage

- When ARP Inspection is enabled globally with the `ip arp inspection` command, it becomes active only on those VLANs where it has been enabled with this command.
- When ARP Inspection is enabled globally and enabled on selected VLANs, all ARP request and reply packets on those VLANs are redirected to the CPU and their switching is handled by the ARP Inspection engine.
- When ARP Inspection is disabled globally, it becomes inactive for all VLANs, including those where ARP Inspection is enabled.
- When ARP Inspection is disabled, all ARP request and reply packets bypass the ARP Inspection engine and their manner of switching matches that of all other packets.
- Disabling and then re-enabling global ARP Inspection will not affect the ARP Inspection configuration for any VLANs.
- When ARP Inspection is disabled globally, it is still possible to configure ARP Inspection for individual VLANs. These configuration changes will only become active after ARP Inspection is globally enabled again.

Example

```
Console(config)#ip arp inspection vlan 1,2  
Console(config)#
```

ip arp inspection limit This command sets a rate limit for the ARP packets received on a port. Use the **no** form to restore the default setting.

Syntax

```
ip arp inspection limit {rate pps | none}
```

```
no ip arp inspection limit
```

pps - The maximum number of ARP packets that can be processed by the CPU per second on trusted or untrusted ports. (Range: 0-2048, where 0 means that no ARP packets can be forwarded)

none - There is no limit on the number of ARP packets that can be processed by the CPU.

Default Setting

15

Command Mode

Interface Configuration (Port, Static Aggregation)

Command Usage

- This command applies to both trusted and untrusted ports.
- When the rate of incoming ARP packets exceeds the configured limit, the switch drops all ARP packets in excess of the limit.

Example

```
Console(config)#interface ethernet 1/1
Console(config-if)#ip arp inspection limit rate 150
Console(config-if)#
```

ip arp inspection trust This command sets a port as trusted, and thus exempted from ARP Inspection. Use the **no** form to restore the default setting.

Syntax

[no] ip arp inspection trust

Default Setting

Untrusted

Command Mode

Interface Configuration (Port, Static Aggregation)

Command Usage

Packets arriving on untrusted ports are subject to any configured ARP Inspection and additional validation checks. Packets arriving on trusted ports bypass all of these checks, and are forwarded according to normal switching rules.

Example

```
Console(config)#interface ethernet 1/1
Console(config-if)#ip arp inspection trust
Console(config-if)#
```


show ip arp inspection configuration This command displays the global configuration settings for ARP Inspection.

Command Mode
Privileged Exec

Example

```

Console#show ip arp inspection configuration

ARP Inspection Global Information:

Global IP ARP Inspection Status : disabled
Log Message Interval           : 1 s
Log Message Number             : 5
Need Additional Validation(s)   : Yes
Additional Validation Type      : Destination MAC address
Console#

```

show ip arp inspection interface This command shows the trust status and ARP Inspection rate limit for ports.

Syntax

show ip arp inspection interface [*interface*]

interface

ethernet *unit/port*

unit - Unit identifier.

port - Port number.

port-channel *channel-id*

Command Mode

Privileged Exec

Example

```

Console#show ip arp inspection interface ethernet 1/1

Port Number      Trust Status      Rate Limit (pps)
-----
Eth 1/1          Trusted           150
Console#

```

show ip arp inspection log This command shows information about entries stored in the log, including the associated VLAN, port, and address components.

Command Mode
Privileged Exec

Example

```
Console#show ip arp inspection log
Total log entries number is 1

Num VLAN Port Src IP Address Dst IP Address Src MAC Address Dst MAC Address
--- --- ---
1 1 11 192.168.2.2 192.168.2.1 00-04-E2-A0-E2-7C FF-FF-FF-FF-FF-FF
Console#
```

show ip arp inspection statistics This command shows statistics about the number of ARP packets processed, or dropped for various reasons.

Command Mode
Privileged Exec

Example

```
Console#show ip arp inspection statistics

ARP packets received : 150
ARP packets dropped due to rate limit : 5
Total ARP packets processed by ARP Inspection : 150
ARP packets dropped by additional validation (source MAC address) : 0
ARP packets dropped by additional validation (destination MAC address): 0
ARP packets dropped by additional validation (IP address) : 0
ARP packets dropped by ARP ACLs : 0
ARP packets dropped by DHCP snooping : 0

Console#
```

show ip arp inspection vlan This command shows the configuration settings for VLANs, including ARP Inspection status, the ARP ACL name, and if the DHCP Snooping database is used after ARP ACL validation is completed.

Syntax

```
show ip arp inspection vlan [vlan-id | vlan-range]
```

vlan-id - VLAN ID. (Range: 1-4094)

vlan-range - A consecutive range of VLANs indicated by the use a hyphen, or a random group of VLANs with each entry separated by a comma.

Command Mode
Privileged Exec

Command Usage

Enter this command to display the configuration settings for all VLANs, or display the settings for a specific VLAN by entering the VLAN identifier.

Example

```
Console#show ip arp inspection vlan 1
```

VLAN ID	DAI Status	ACL Name	ACL Status
1	disabled	sales	static

```
Console#
```

Denial of Service Protection

A denial-of-service attack (DoS attack) is an attempt to block the services provided by a computer or network resource. This kind of attack tries to prevent an Internet site or service from functioning efficiently or at all. In general, DoS attacks are implemented by either forcing the target to reset, to consume most of its resources so that it can no longer provide its intended service, or to obstruct the communication media between the intended users and the target so that they can no longer communicate adequately.

This section describes commands used to protect against DoS attacks.

Table 52: DoS Protection Commands

Command	Function	Mode
<code>dos-protection echo-charge</code>	Protects against DoS echo/charge attacks	GC
<code>dos-protection smurf</code>	Protects against DoS smurf attacks	GC
<code>dos-protection tcp-flooding</code>	Protects against DoS TCP-flooding attacks	GC
<code>dos-protection tcp-null-scan</code>	Protects against DoS TCP-null-scan attacks	GC
<code>dos-protection tcp-syn-fin-scan</code>	Protects against DoS TCP-SYN/FIN-scan attacks	GC
<code>dos-protection tcp-udp-port-zero</code>	Protects against attacks which set the Layer 4 source or destination port to zero	GC
<code>dos-protection tcp-xmas-scan</code>	Protects against DoS TCP-XMAS-scan attacks	GC
<code>dos-protection udp-flooding</code>	Protects against DoS UDP-flooding attacks	GC
<code>dos-protection win-nuke</code>	Protects against DoS WinNuke attacks	GC
<code>show dos-protection</code>	Shows the configuration settings for DoS protection	PE

dos-protection echo-charge This command protects against DoS echo/charge attacks in which the echo service repeats anything sent to it, and the charge (character generator) service generates a continuous stream of data. When used together, they create an infinite loop and result in a denial-of-service. Use the **no** form without the bit rate parameter to disable this feature, or with the bit rate parameter to restore the default rate limit..

Syntax

```
dos-protection echo-charge [bit-rate-in-kilo rate]
```

```
no dos-protection echo-charge [bit-rate-in-kilo]
```

rate – Maximum allowed rate. (Range: 64-2000 kbits/second)

Default Setting

Disabled, 1000 kbits/second

Command Mode

Global Configuration

Example

```
Console(config)#dos-protection echo-charge bit-rate-in-kilo 65  
Console(config)#
```

dos-protection smurf This command protects against DoS smurf attacks in which a perpetrator generates a large amount of spoofed ICMP Echo Request traffic to the broadcast destination IP address (255.255.255.255), all of which uses a spoofed source address of the intended victim. The victim should crash due to the many interrupts required to send ICMP Echo response packets. Use the **no** form to disable this feature.

Syntax

```
[no] dos-protection smurf
```

Default Setting

Disabled

Command Mode

Global Configuration

Example

```
Console(config)#dos-protection smurf  
Console(config)#
```

dos-protection tcp-flooding This command protects against DoS TCP-flooding attacks in which a perpetrator sends a succession of TCP SYN requests (with or without a spoofed-Source IP) to a target and never returns ACK packets. These half-open connections will bind resources on the target, and no new connections can be made, resulting in a denial of service. Use the **no** form without the bit rate parameter to disable this feature, or with the bit rate parameter to restore the default rate limit.

Syntax

```
dos-protection tcp-flooding [bit-rate-in-kilo rate]
```

```
no dos-protection tcp-flooding [bit-rate-in-kilo]
```

rate – Maximum allowed rate. (Range: 64-2000 kbits/second)

Default Setting

Disabled, 1000 kbits/second

Command Mode

Global Configuration

Example

```
Console(config)#dos-protection tcp-flooding bit-rate-in-kilo 65  
Console(config)#
```

dos-protection tcp-null-scan This command protects against DoS TCP-null-scan attacks in which a TCP NULL scan message is used to identify listening TCP ports. The scan uses a series of strangely configured TCP packets which contain a sequence number of 0 and no flags. If the target's TCP port is closed, the target replies with a TCP RST (reset) packet. If the target TCP port is open, it simply discards the TCP NULL scan. Use the **no** form to disable this feature.

Syntax

```
[no] dos-protection tcp-null-scan
```

Default Setting

Disabled

Command Mode

Global Configuration

Command Usage

In these packets, all TCP flags are 0.

Example

```
Console(config)#dos-protection tcp-null-scan  
Console(config)#
```

dos-protection tcp-syn-fin-scan

This command protects against DoS TCP-SYN/FIN-scan attacks in which a TCP SYN/FIN scan message is used to identify listening TCP ports. The scan uses a series of strangely configured TCP packets which contain SYN (synchronize) and FIN (finish) flags. If the target's TCP port is closed, the target replies with a TCP RST (reset) packet. If the target TCP port is open, it simply discards the TCP SYN FIN scan. Use the **no** form to disable this feature.

Syntax

```
[no] dos-protection tcp-syn-fin-scan
```

Default Setting

Disabled

Command Mode

Global Configuration

Example

```
Console(config)#dos-protection tcp-syn-fin-scan  
Console(config)#
```

dos-protection tcp-udp-port-zero

This command protects against DoS attacks in which the TCP or UDP source port or destination port is set to zero. This technique may be used as a form of DoS attack, or it may just indicate a problem with the source device. When this command is enabled, the switch will drop these packets. Use the **no** form to restore the default setting.

Syntax

```
[no] dos-protection tcp-udp-port-zero
```

Default Setting

Disabled

Command Mode

Global Configuration

Example

```
Console(config)#dos-protection tcp-udp-port-zero  
Console(config)#
```

dos-protection tcp-xmas-scan This command protects against DoS TCP-xmas-scan in which a so-called TCP XMAS scan message is used to identify listening TCP ports. This scan uses a series of strangely configured TCP packets which contain a sequence number of 0 and the URG, PSH and FIN flags. If the target's TCP port is closed, the target replies with a TCP RST packet. If the target TCP port is open, it simply discards the TCP XMAS scan. Use the **no** form to disable this feature.

Syntax

```
[no] dos-protection tcp-xmas-scan
```

Default Setting

Disabled

Command Mode

Global Configuration

Example

```
Console(config)#dos-protection tcp-xmas-scan  
Console(config)#
```

dos-protection udp-flooding This command protects against DoS UDP-flooding attacks in which a perpetrator sends a large number of UDP packets (with or without a spoofed-Source IP) to random ports on a remote host. The target will determine that application is listening at that port, and reply with an ICMP Destination Unreachable packet. It will be forced to send many ICMP packets, eventually leading it to be unreachable by other clients. Use the **no** form without the bit rate parameter to disable this feature, or with the bit rate parameter to restore the default rate limit.

Syntax

```
dos-protection udp-flooding [bit-rate-in-kilo rate]
```

```
no dos-protection udp-flooding [bit-rate-in-kilo]
```

rate – Maximum allowed rate. (Range: 64-2000 kbits/second)

Default Setting

Disabled, 1000 kbits/second

Command Mode

Global Configuration

Example

```
Console(config)#dos-protection udp-flooding bit-rate-in-kilo 65  
Console(config)#
```

dos-protection win-nuke This command protects against DoS WinNuke attacks in which affected the Microsoft Windows 3.1x/95/NT operating systems. In this type of attack, the perpetrator sends the string of OOB out-of-band (OOB) packets contained a TCP URG flag to the target computer on TCP port 139 (NetBIOS), causing it to lock up and display a “Blue Screen of Death.” This did not cause any damage to, or change data on, the computer’s hard disk, but any unsaved data would be lost. Microsoft made patches to prevent the WinNuke attack, but the OOB packets still put the service in a tight loop that consumed all available CPU time. Use the **no** form without the bit rate parameter to disable this feature, or with the bit rate parameter to restore the default rate limit.

Syntax

dos-protection win-nuke [bit-rate-in-kilo *rate*]

no dos-protection win-nuke [bit-rate-in-kilo

rate – Maximum allowed rate. (Range: 64-2000 kbits/second)

Default Setting

Disabled, 1000 kbits/second

Command Mode

Global Configuration

Example

```
Console(config)#dos-protection win-nuke bit-rate-in-kilo 65
Console(config)#
```

show dos-protection This command shows the configuration settings for the DoS protection commands.

Command Mode

Privileged Exec

Example

```
Console#show dos-protection
Global DoS Protection:

Echo/Chargen Attack           : Disabled, 1000 kilobits per second
LAND Attack                   : Disabled
Smurf Attack                   : Enabled
TCP Flooding Attack           : Disabled, 1000 kilobits per second
TCP Null Scan                  : Enabled
TCP SYN/FIN Scan              : Enabled
TCP/UDP Packets with Port 0   : Enabled
TCP XMAS Scan                  : Enabled
UDP Flooding Attack           : Disabled, 1000 kilobits per second
WinNuke Attack                 : Disabled, 1000 kilobits per second
Console#
```


Port-based Traffic Segmentation

If tighter security is required for passing traffic from different clients through downlink ports on the local network and over uplink ports to the service provider, port-based traffic segmentation can be used to isolate traffic for individual clients.

Traffic belonging to each client is isolated to the allocated downlink ports. But the switch can be configured to either isolate traffic passing across a client's allocated uplink ports from the uplink ports assigned to other clients, or to forward traffic through the uplink ports used by other clients, allowing different clients to share access to their uplink ports where security is less likely to be compromised.

Table 53: Commands for Configuring Traffic Segmentation

Command	Function	Mode
<code>traffic-segmentation</code>	Enables traffic segmentation	GC
<code>traffic-segmentation session</code>	Creates a client session	GC
<code>traffic-segmentation uplink/ downlink</code>	Configures uplink/downlink ports for client sessions	GC
<code>traffic-segmentation uplink-to-uplink</code>	Specifies whether or not traffic can be forwarded between uplink ports assigned to different client sessions	GC
<code>show traffic-segmentation</code>	Displays the configured traffic segments	PE

traffic-segmentation This command enables traffic segmentation. Use the **no** form to disable traffic segmentation.

Syntax

[no] traffic-segmentation

Default Setting

Disabled

Command Mode

Global Configuration

Command Usage

- Traffic segmentation provides port-based security and isolation between ports within the VLAN. Data traffic on the downlink ports can only be forwarded to, and from, the designated uplink port(s). Data cannot pass between downlink ports in the same segmented group, nor to ports which do not belong to the same group.
- Traffic segmentation and normal VLANs can exist simultaneously within the same switch. Traffic may pass freely between uplink ports in segmented groups and ports in normal VLANs.

- When traffic segmentation is enabled, the forwarding state for the uplink and downlink ports assigned to different client sessions is shown below.

Table 54: Traffic Segmentation Forwarding

Destination Source	Session #1 Downlinks	Session #1 Uplinks	Session #2 Downlinks	Session #2 Uplinks	Normal Ports
Session #1 Downlink Ports	Blocking	Forwarding	Blocking	Blocking	Blocking
Session #1 Uplink Ports	Forwarding	Forwarding	Blocking	Blocking/ Forwarding*	Forwarding
Session #2 Downlink Ports	Blocking	Blocking	Blocking	Forwarding	Blocking
Session #2 Uplink Ports	Blocking	Blocking/ Forwarding*	Forwarding	Forwarding	Forwarding
Normal Ports	Forwarding	Forwarding	Forwarding	Forwarding	Forwarding

* The forwarding state for uplink-to-uplink ports is configured by the `traffic-segmentation uplink-to-uplink` command.

- When traffic segmentation is disabled, all ports operate in normal forwarding mode based on the settings specified by other functions such as VLANs and spanning tree protocol.
- Enter the `traffic-segmentation` command without any parameters to enable traffic segmentation. Then set the interface members for segmented groups using the `traffic-segmentation uplink/downlink` command.
- Enter `no traffic-segmentation` to disable traffic segmentation.

Example

This example enables traffic segmentation globally on the switch.

```
Console(config)#traffic-segmentation
Console(config)#
```

traffic-segmentation session This command creates a traffic-segmentation client session. Use the `no` form to remove a client session.

Syntax

`[no] traffic-segmentation session session-id`
session-id – Traffic segmentation session. (Range: 1-4)

Default Setting

None

Command Mode

Global Configuration

Command Usage

- Use this command to create a new traffic-segmentation client session.
- Using the **no** form of this command will remove any assigned uplink or downlink ports, restoring these interfaces to normal operating mode.

Example

```
Console(config)#traffic-segmentation session 1
Console(config)#
```

traffic-segmentation uplink/downlink This command configures the uplink and down-link ports for a segmented group of ports. Use the **no** form to remove a port from the segmented group.

Syntax

[no] traffic-segmentation [session session-id] {uplink interface-list [downlink interface-list] | downlink interface-list}

session-id – Traffic segmentation session. (Range: 1-4)

uplink – Specifies an uplink interface.

downlink – Specifies a downlink interface.

interface

ethernet *unit/port*

unit - Unit identifier.

port - Port number.

port-channel *channel-id*

Default Setting

Session 1 if not defined

No segmented port groups are defined.

Command Mode

Global Configuration

Command Usage

- A port cannot be configured in both an uplink and downlink list.
- A port can only be assigned to one traffic-segmentation session.
- When specifying an uplink or downlink, a list of ports may be entered by using a hyphen or comma in the *port* field. Note that lists are not supported for the *channel-id* field.

- A downlink port can only communicate with an uplink port in the same session. Therefore, if an uplink port is not configured for a session, the assigned downlink ports will not be able to communicate with any other ports.
- If a downlink port is not configured for the session, the assigned uplink ports will operate as normal ports.

Example

This example enables traffic segmentation, and then sets port 10 as the uplink and ports 5-8 as downlinks.

```
Console(config)#traffic-segmentation
Console(config)#traffic-segmentation uplink ethernet 1/10
downlink ethernet 1/5-8
Console(config)#
```

traffic-segmentation uplink-to-uplink

This command specifies whether or not traffic can be forwarded between uplink ports assigned to different client sessions, or between uplink ports assigned to the same session. Use the **no** form to restore the default.

Syntax

traffic-segmentation [*session session-id*] **uplink-to-uplink** {**blocking** | **forwarding**}

no traffic-segmentation uplink-to-uplink

session-id – Traffic segmentation session. (Range: 1-4)

blocking – Blocks traffic between uplink ports.

forwarding – Forwards traffic between uplink ports.

Default Setting

Blocking if session-id is not defined

Forwarding if session-id is defined

Command Mode

Global Configuration

Example

This example enables forwarding of traffic between uplink ports.

```
Console(config)#traffic-segmentation uplink-to-uplink forwarding
Console(config)#
```

show traffic-segmentation This command displays the configured traffic segments.

Syntax

show traffic-segmentation [session *session-id*]

session-id – Traffic segmentation session. (Range: 1-4)

Command Mode

Privileged Exec

Example

```
Console#show traffic-segmentation session 1

Traffic segmentation Status :           Enabled
Uplink-to-Uplink Mode      :           Forwarding

Session  Uplink Ports                Downlink Ports
-----
   1     Ethernet 1/1                Ethernet 1/2
                                           Ethernet 1/3
                                           Ethernet 1/4

Console#
```

11

Access Control Lists

Access Control Lists (ACL) provide packet filtering for IPv4 frames (based on address, protocol, Layer 4 protocol port number or TCP control code), IPv6 frames (based on address, DSCP traffic class, or next header type), or any frames (based on MAC address or Ethernet type). To filter packets, first create an access list, add the required rules, and then bind the list to a specific port. This section describes the Access Control List commands.

Table 55: Access Control List Commands

Command Group	Function
IPv4 ACLs	Configures ACLs based on IPv4 addresses, TCP/UDP port number, protocol type, and TCP control code
IPv6 ACLs	Configures ACLs based on IPv6 addresses, DSCP traffic class, or next header type
MAC ACLs	Configures ACLs based on hardware addresses, packet format, and Ethernet type
ARP ACLs	Configures ACLs based on ARP messages addresses
ACL Information	Displays ACLs and associated rules; shows ACLs assigned to each port

IPv4 ACLs

The commands in this section configure ACLs based on IPv4 addresses, TCP/UDP port number, protocol type, and TCP control code. To configure IPv4 ACLs, first create an access list containing the required permit or deny rules, and then bind the access list to one or more ports.

Table 56: IPv4 ACL Commands

Command	Function	Mode
<code>access-list ip</code>	Creates an IP ACL and enters configuration mode for standard or extended IPv4 ACLs	GC
<code>permit, deny</code>	Filters packets matching a specified source IPv4 address	IPv4-STD-ACL
<code>permit, deny</code>	Filters packets meeting the specified criteria, including source and destination IPv4 address, TCP/UDP port number, protocol type, and TCP control code	IPv4-EXT-ACL
<code>ip access-group</code>	Binds an IPv4 ACL to a port	IC
<code>show ip access-group</code>	Shows port assignments for IPv4 ACLs	PE
<code>show ip access-list</code>	Displays the rules for configured IPv4 ACLs	PE

access-list ip This command adds an IP access list and enters configuration mode for standard or extended IPv4 ACLs. Use the **no** form to remove the specified ACL.

Syntax

```
[no] access-list ip {standard | extended} acl-name
```

standard – Specifies an ACL that filters packets based on the source IP address.

extended – Specifies an ACL that filters packets based on the source or destination IP address, and other more specific criteria.

acl-name – Name of the ACL. (Maximum length: 32 characters)

Default Setting

None

Command Mode

Global Configuration

Command Usage

- When you create a new ACL or enter configuration mode for an existing ACL, use the **permit** or **deny** command to add new rules to the bottom of the list.
- To remove a rule, use the **no permit** or **no deny** command followed by the exact text of a previously configured rule.
- An ACL can contain up to 1K rules.

Example

```
Console(config)#access-list ip standard david
Console(config-std-acl)#
```

permit, deny (Standard IP ACL) This command adds a rule to a Standard IPv4 ACL. The rule sets a filter condition for packets emanating from the specified source. Use the **no** form to remove a rule.

Syntax

```
{permit | deny} {any | source bitmask | host source}
[time-range time-range-name]
```

```
no {permit | deny} {any | source bitmask | host source}
```

any – Any source IP address.

source – Source IP address.

bitmask – Dotted decimal number representing the address bits to match.

host – Keyword followed by a specific IP address.

time-range-name - Name of the time range. (Range: 1-32 characters)

Default Setting

None

Command Mode

Standard IPv4 ACL

Command Usage

- New rules are appended to the end of the list.
- Address bit masks are similar to a subnet mask, containing four integers from 0 to 255, each separated by a period. The binary mask uses 1 bits to indicate “match” and 0 bits to indicate “ignore.” The bitmask is bitwise ANDed with the specified source IP address, and then compared with the address for each IP packet entering the port(s) to which this ACL has been assigned.

Example

This example configures one permit rule for the specific address 10.1.1.21 and another rule for the address range 168.92.16.x – 168.92.31.x using a bitmask.

```
Console(config-std-acl)#permit host 10.1.1.21
Console(config-std-acl)#permit 168.92.16.0 255.255.240.0
Console(config-std-acl)#
```

permit, deny (Extended IPv4 ACL)

This command adds a rule to an Extended IPv4 ACL. The rule sets a filter condition for packets with specific source or destination IP addresses, protocol types, source or destination protocol ports, or TCP control codes. Use the **no** form to remove a rule.

Syntax

```
{permit | deny} [protocol-number]
{any | source address-bitmask | host source}
{any | destination address-bitmask | host destination}
[precedence precedence] [dscp dscp]
[time-range time-range-name]

no {permit | deny} [protocol-number]
{any | source address-bitmask | host source}
{any | destination address-bitmask | host destination}
[precedence precedence] [dscp dscp]
[source-port sport [bitmask]]
[destination-port dport [port-bitmask]]

{permit | deny} [icmp | tcp | udp ]
{any | source address-bitmask | host source}
{any | destination address-bitmask | host destination}
[precedence precedence] [dscp dscp]
[source-port sport [bitmask]]
[destination-port dport [port-bitmask]]
```



```
[icmp-type icmp-type]
[control-flag control-flags flag-bitmask]
[time-range time-range-name]

no {permit | deny} [icmp | tcp | udp ]
{any | source address-bitmask | host source}
{any | destination address-bitmask | host destination}
[precedence precedence] [dscp dscp]
[source-port sport [bitmask]]
[destination-port dport [port-bitmask]]
[icmp-type icmp-type]
[control-flag control-flags flag-bitmask]
```

protocol-number – A specific protocol number. (Range: 0-255)

source – Source IP address.

destination – Destination IP address.

address-bitmask – Decimal number representing the address bits to match.

host – Keyword followed by a specific IP address.

dscp – DSCP priority level. (Range: 0-63)

precedence – IP precedence level. (Range: 0-7)

sport – Protocol⁴ source port number. (Range: 0-65535)

dport – Protocol⁴ destination port number. (Range: 0-65535)

port-bitmask – Decimal number representing the port bits to match.
(Range: 0-65535)

icmp-type – The ICMP protocol number. (Range: 0-255)

control-flags – Decimal number (representing a bit string) that specifies flag bits in byte 14 of the TCP header. (Range: 0-63)

flag-bitmask – Decimal number representing the code bits to match.

time-range-name - Name of the time range. (Range: 1-32 characters)

Default Setting

None

Command Mode

Extended IPv4 ACL

Command Usage

- All new rules are appended to the end of the list.
- Address bit masks are similar to a subnet mask, containing four integers from 0 to 255, each separated by a period. The binary mask uses 1 bits to indicate “match” and 0 bits to indicate “ignore.” The bit mask is bitwise ANDed with the

4. Includes TCP, UDP or other protocol types.

specified source IP address, and then compared with the address for each IP packet entering the port(s) to which this ACL has been assigned.

- The control-code bitmask is a decimal number (representing an equivalent bit mask) that is applied to the control code. Enter a decimal number, where the equivalent binary bit “1” means to match a bit and “0” means to ignore a bit. The following bits may be specified:
 - 1 (fin) – Finish
 - 2 (syn) – Synchronize
 - 4 (rst) – Reset
 - 8 (psh) – Push
 - 16 (ack) – Acknowledgement
 - 32 (urg) – Urgent pointer

For example, use the code value and mask below to catch packets with the following flags set:

- SYN flag valid, use “control-code 2 2”
 - Both SYN and ACK valid, use “control-code 18 18”
 - SYN valid and ACK invalid, use “control-code 2 18”
- If an Extended IPv4 rule and MAC rule match the same packet, and these rules specify a “permit” entry and “deny” entry, the “deny” action takes precedence.

Example

This example accepts any incoming packets if the source address is within subnet 10.7.1.x. For example, if the rule is matched; i.e., the rule (10.7.1.0 & 255.255.255.0) equals the masked address (10.7.1.2 & 255.255.255.0), the packet passes through.

```
Console(config-ext-acl)#permit 10.7.1.1 255.255.255.0 any
Console(config-ext-acl)#
```

This allows TCP packets from class C addresses 192.168.1.0 to any destination address when set for destination TCP port 80 (i.e., HTTP).

```
Console(config-ext-acl)#permit tcp 192.168.1.0 255.255.255.0 any destination-
port 80
Console(config-ext-acl)#
```

This permits all TCP packets from class C addresses 192.168.1.0 with the TCP control code set to “SYN.”

```
Console(config-ext-acl)#permit tcp 192.168.1.0 255.255.255.0 any control-
flag 2 2
Console(config-ext-acl)#
```

ip access-group This command binds an IPv4 ACL to a port. Use the **no** form to remove the port.

Syntax

```
ip access-group acl-name {in | out}  
[time-range time-range-name] [counter]
```

```
no ip access-group acl-name in
```

acl-name – Name of the ACL. (Maximum length: 32 characters)

in – Indicates that this list applies to ingress packets.

out – Indicates that this list applies to egress packets.

time-range-name - Name of the time range. (Range: 1-32 characters)

counter – Enables counter for ACL statistics.

Default Setting

None

Command Mode

Interface Configuration (Ethernet)

Command Usage

If an ACL is already bound to a port and you bind a different ACL to it, the switch will replace the old binding with the new one.

Example

```
Console(config)#int eth 1/2  
Console(config-if)#ip access-group david in  
Console(config-if)#
```

show ip access-group This command shows the ports assigned to IP ACLs.

Command Mode

Privileged Exec

Example

```
Console#show ip access-group  
Interface ethernet 1/2  
IP access-list david in  
Console#
```

show ip access-list This command displays the rules for configured IPv4 ACLs.

Syntax

```
show ip access-list {standard | extended} [acl-name]
```

standard – Specifies a standard IP ACL.

extended – Specifies an extended IP ACL.

acl-name – Name of the ACL. (Maximum length: 32 characters)

Command Mode

Privileged Exec

Example

```
Console#show ip access-list standard
IP standard access-list david:
  permit host 10.1.1.21
  permit 168.92.0.0 255.255.15.0
Console#
```

IPv6 ACLs

The commands in this section configure ACLs based on IPv6 addresses, DSCP traffic class, or next header type. To configure IPv6 ACLs, first create an access list containing the required permit or deny rules, and then bind the access list to one or more ports.

Table 57: IPv6 ACL Commands

Command	Function	Mode
<code>access-list ipv6</code>	Creates an IPv6 ACL and enters configuration mode for standard or extended IPv6 ACLs	GC
<code>permit, deny</code>	Filters packets matching a specified source IPv6 address	IPv6- STD-ACL
<code>permit, deny</code>	Filters packets meeting the specified criteria, including source or destination IPv6 address, DSCP traffic class, or next header type	IPv6- EXT-ACL
<code>ipv6 access-group</code>	Binds an IPv6 ACL to a port	IC
<code>show ipv6 access-group</code>	Shows port assignments for IPv6 ACLs	PE
<code>show ipv6 access-list</code>	Displays the rules for configured IPv6 ACLs	PE

access-list ipv6 This command adds an IP access list and enters configuration mode for standard or extended IPv6 ACLs. Use the **no** form to remove the specified ACL.

Syntax

```
[no] access-list ipv6 {standard | extended} acl-name
```

standard – Specifies an ACL that filters packets based on the source IP address.

extended – Specifies an ACL that filters packets based on the destination IP address, and other more specific criteria.

acl-name – Name of the ACL. (Maximum length: 32 characters)

Default Setting

None

Command Mode

Global Configuration

Command Usage

- When you create a new ACL or enter configuration mode for an existing ACL, use the **permit** or **deny** command to add new rules to the bottom of the list. To create an ACL, you must add at least one rule to the list.
- To remove a rule, use the **no permit** or **no deny** command followed by the exact text of a previously configured rule.
- An ACL can contain up to 64 rules.

Example

```
Console(config)#access-list ipv6 standard david
Console(config-std-ipv6-acl)#
```

permit, deny (Standard IPv6 ACL) This command adds a rule to a Standard IPv6 ACL. The rule sets a filter condition for packets emanating from the specified source. Use the **no** form to remove a rule.

Syntax

```
{permit | deny} {any | host source-ipv6-address |
source-ipv6-address[/prefix-length]}
[time-range time-range-name]
```

```
no {permit | deny} {any | host source-ipv6-address |
source-ipv6-address[/prefix-length]}
```

any – Any source IP address.

host – Keyword followed by a specific IP address.

source-ipv6-address - An IPv6 source address or network class. The address must be formatted according to RFC 2373 "IPv6 Addressing Architecture," using 8 colon-separated 16-bit hexadecimal values. One double colon may be used in the address to indicate the appropriate number of zeros required to fill the undefined fields.

prefix-length - A decimal value indicating how many contiguous bits (from the left) of the address comprise the prefix; i.e., the network portion of the address. (Range: 0-128)

time-range-name - Name of the time range. (Range: 1-32 characters)

Default Setting

None

Command Mode

Standard IPv6 ACL

Command Usage

New rules are appended to the end of the list.

Example

This example configures one permit rule for the specific address 2009:DB9:2229::79 and another rule for the addresses with the network prefix 2009:DB9:2229:5::/64.

```
Console(config-std-ipv6-acl)#permit host 2009:DB9:2229::79
Console(config-std-ipv6-acl)#permit 2009:DB9:2229:5::/64
Console(config-std-ipv6-acl)#
```

permit, deny (Extended IPv6 ACL) This command adds a rule to an Extended IPv6 ACL. The rule sets a filter condition for packets with specific source or destination IP addresses, or next header type. Use the **no** form to remove a rule.

Syntax

```
{permit | deny} [next-header | icmp | tcp | udp]
{any | host source-ipv6-address | source-ipv6-address[/prefix-length]}
{any | destination-ipv6-address[/prefix-length]}
[next-header next-header [[source-port sport [bitmask]] | [destination-port dport
[port-bitmask]] | [time-range time-range-name] | [dscp dscp]]
[icmp-type icmp-type}
[time-range time-range-name]
[dscp dscp]

no {permit | deny} [next-header | icmp | tcp | udp]
{any | host source-ipv6-address | source-ipv6-address[/prefix-length]}
{any | destination-ipv6-address[/prefix-length]}
[next-header next-header [[source-port sport [bitmask]] | [destination-port dport
[port-bitmask]] | [time-range time-range-name] | [dscp dscp]]
[icmp-type icmp-type}
[time-range time-range-name]
[dscp dscp]
```

next-header - The type of header immediately following the IPv6 header.
(Range: 0-255)

icmp – Specifies the next header as ICMP.

tcp – Specifies the next header as TCP.

udp – Specifies the next header as UDP.

any – Any IP address (an abbreviation for the IPv6 prefix ::/0).

host – Keyword followed by a specific source IP address.

source-ipv6-address - An IPv6 source address or network class. The address must be formatted according to RFC 2373 “IPv6 Addressing Architecture,” using 8 colon-separated 16-bit hexadecimal values. One double colon may be used in the address to indicate the appropriate number of zeros required to fill the undefined fields.

destination-ipv6-address - An IPv6 destination address or network class. The address must be formatted according to RFC 2373 “IPv6 Addressing Architecture,” using 8 colon-separated 16-bit hexadecimal values. One double colon may be used in the address to indicate the appropriate number of zeros required to fill the undefined fields. (The switch only checks the first 128 bits of the destination address.)

prefix-length - A decimal value indicating how many contiguous bits (from the left) of the address comprise the prefix; i.e., the network portion of the address. (Range: 0-128 for source prefix, 0-128 for destination prefix)

dscp – DSCP traffic class. (Range: 0-63)

next-header – Identifies the type of header immediately following the IPv6 header. (Range: 0-255)

sport – Protocol⁵ source port number. (Range: 0-65535)

dport – Protocol⁴ destination port number. (Range: 0-65535)

port-bitmask – Decimal number representing the port bits to match. (Range: 0-65535)

icmp-type – The ICMP protocol number. (Range: 0-255)

time-range-name - Name of the time range. (Range: 1-32 characters)

Default Setting

None

Command Mode

Extended IPv6 ACL

Command Usage

- All new rules are appended to the end of the list.
- Optional internet-layer information is encoded in separate headers that may be placed between the IPv6 header and the upper-layer header in a packet. There are a small number of such extension headers, each identified by a distinct Next Header value. IPv6 supports the values defined for the IPv4 Protocol field in RFC 1700, including these commonly used headers:

0	: Hop-by-Hop Options	(RFC 2460)
6	: TCP Upper-layer Header	(RFC 1700)
17	: UDP Upper-layer Header	(RFC 1700)
43	: Routing	(RFC 2460)
44	: Fragment	(RFC 2460)
51	: Authentication	(RFC 2402)
50	: Encapsulating Security Payload	(RFC 2406)
60	: Destination Options	(RFC 2460)

Example

This example accepts any incoming packets if the destination address is 2009:DB9:2229::79/8.

```
Console(config-ext-ipv6-acl)#permit any 2009:db90:2229::79/8
Console(config-ext-ipv6-acl)#
```

This allows packets to any destination address when the DSCP value is 5.

```
Console(config-ext-ipv6-acl)#permit any any dscp 5
Console(config-ext-ipv6-acl)#
```

5. Includes TCP and UDP.

This allows any packets sent from any source to any destination when the next header is 43.”

```
Console(config-ext-ipv6-acl)#permit any any next-header 43
Console(config-ext-ipv6-acl)#
```

ipv6 access-group This command binds an IPv6 ACL to a port. Use the **no** form to remove the port.

Syntax

```
ipv6 access-group acl-name {in | out}
[time-range time-range-name] [counter]
```

```
no ipv6 access-group acl-name {in | out}
```

acl-name – Name of the ACL. (Maximum length: 32 characters)

in – Indicates that this list applies to ingress packets.

out – Indicates that this list applies to egress packets.

time-range-name - Name of the time range. (Range: 1-32 characters)

counter – Enables counter for ACL statistics.

Default Setting

None

Command Mode

Interface Configuration (Ethernet)

Command Usage

If a port is already bound to an ACL and you bind it to a different ACL, the switch will replace the old binding with the new one.

Example

```
Console(config)#interface ethernet 1/2
Console(config-if)#ipv6 access-group standard david in
Console(config-if)#
```

show ipv6 access-group This command shows the ports assigned to IPv6 ACLs.

Command Mode

Privileged Exec

Example

```
Console#show ipv6 access-group
Interface ethernet 1/2
```

```
IPv6 standard access-list david in  
Console#
```

show ipv6 access-list This command displays the rules for configured IPv6 ACLs.

Syntax

```
show ipv6 access-list {standard | extended} [acl-name]
```

standard – Specifies a standard IPv6 ACL.

extended – Specifies an extended IPv6 ACL.

acl-name – Name of the ACL. (Maximum length: 32 characters)

Command Mode

Privileged Exec

Example

```
Console#show ipv6 access-list standard  
IPv6 standard access-list david:  
  permit host 2009:DB9:2229::79  
  permit 2009:DB9:2229:5::/64  
Console#
```

MAC ACLs

The commands in this section configure ACLs based on hardware addresses, packet format, and Ethernet type. The ACLs can further specify optional IP and IPv6 addresses including protocol type and upper layer ports. To configure MAC ACLs, first create an access list containing the required permit or deny rules, and then bind the access list to one or more ports.

Table 58: MAC ACL Commands

Command	Function	Mode
<code>access-list mac</code>	Creates a MAC ACL and enters configuration mode	GC
<code>permit, deny</code>	Filters packets matching a specified source and destination address, packet format, and Ethernet type. They can be further specified using optional IP and IPv6 addresses including protocol type and upper layer ports.	MAC-ACL
<code>mac access-group</code>	Binds a MAC ACL to a port	IC
<code>show mac access-group</code>	Shows port assignments for MAC ACLs	PE
<code>show mac access-list</code>	Displays the rules for configured MAC ACLs	PE

access-list mac This command enters MAC ACL configuration mode. Rules can be added to filter packets matching a specified MAC source or destination address (i.e., physical layer address), or Ethernet protocol type. Rules can also be used to filter packets based on IPv4/v6 addresses, including Layer 4 ports and protocol types. Use the **no** form to remove the specified ACL.

Syntax

```
[no] access-list mac acl-name
```

acl-name – Name of the ACL. (Maximum length: 32 characters,)

Default Setting

None

Command Mode

Global Configuration

Command Usage

- When you create a new ACL or enter configuration mode for an existing ACL, use the **permit** or **deny** command to add new rules to the bottom of the list.
- To remove a rule, use the **no permit** or **no deny** command followed by the exact text of a previously configured rule.
- An ACL can contain up to 2048 rules.

Example

```
Console(config)#access-list mac jerry
Console(config-mac-acl)#
```

permit, deny (MAC ACL) This command adds a rule to a MAC ACL. The rule filters packets matching a specified MAC source or destination address (i.e., physical layer address), or Ethernet protocol type. Rules can also filter packets based on IPv4/v6 addresses, including Layer 4 ports and protocol types. Use the **no** form to remove a rule.

Syntax

```
{permit | deny}
{any | host source | source address}
{any | host destination | destination address}
[ip {any | host source-ip | source-ip network-mask}
   {any | host destination-ip | destination-ip network-mask}]
[ipv6 {any | host source-ipv6 | source-ipv6/prefix-length}
      {any | host destination-ipv6 | destination-ipv6/prefix-length}]
[cos cos cos-bitmask]
```

```
[vid vid vid-bitmask]
[ethertype ethertype [ethertype-bitmask]]
[protocol protocol]
[14-source-port sport [port-bitmask]]
[14-destination-port dport [port-bitmask]]
[time-range time-range-name]

no {permit | deny}
{any | host source | source address}
{any | host destination | destination address}
[ip {any | host source-ip | source-ip network-mask}
   {any | host destination-ip | destination-ip network-mask}]
[ipv6 {any | host source-ipv6 | source-ipv6/prefix-length}
   {any | host destination-ipv6 | destination-ipv6/prefix-length}]
[cos cos cos-bitmask]
[vid vid vid-bitmask]
[ethertype ethertype [ethertype-bitmask]]
[protocol protocol]
[14-source-port sport [port-bitmask]]
[14-destination-port dport [port-bitmask]]
```



Note: The default is for Ethernet II packets.

```
{permit | deny} tagged-eth2
{any | host source | source address}
{any | host destination | destination address}
[ip {any | host source-ip | source-ip network-mask}
   {any | host destination-ip | destination-ip network-mask}]
[ipv6 {any | host source-ipv6 | source-ipv6/prefix-length}
   {any | host destination-ipv6 | destination-ipv6/prefix-length}]
[cos cos cos-bitmask] [vid vid vid-bitmask]
[ethertype ethertype [ethertype-bitmask]]
[protocol protocol]
[14-source-port sport [port-bitmask]]
[14-destination-port dport [port-bitmask]]
[time-range time-range-name]

no {permit | deny} tagged-eth2
{any | host source | source address}
{any | host destination | destination address}
[ip {any | host source-ip | source-ip network-mask}
   {any | host destination-ip | destination-ip network-mask}]
[ipv6 {any | host source-ipv6 | source-ipv6/prefix-length}
   {any | host destination-ipv6 | destination-ipv6/prefix-length}]
[cos cos cos-bitmask] [vid vid vid-bitmask]
[ethertype ethertype [ethertype-bitmask]]
[protocol protocol]
[14-source-port sport [port-bitmask]]
[14-destination-port dport [port-bitmask]]
```

```
{permit | deny} untagged-eth2
{any | host source | source address}
{any | host destination | destination address}
ip {any | host source-ip | source-ip network-mask}
   {any | host destination-ip | destination-ip network-mask}}
ipv6 {any | host source-ipv6 | source-ipv6/prefix-length}
     {any | host destination-ipv6 | destination-ipv6/prefix-length}}
[ethertype ethertype [ethertype-bitmask]]
[protocol protocol]
[14-source-port sport [port-bitmask]]
[14-destination-port dport [port-bitmask]]
[time-range time-range-name]
```

```
no {permit | deny} untagged-eth2
{any | host source | source address}
{any | host destination | destination address}
ip {any | host source-ip | source-ip network-mask}
   {any | host destination-ip | destination-ip network-mask}}
ipv6 {any | host source-ipv6 | source-ipv6/prefix-length}
     {any | host destination-ipv6 | destination-ipv6/prefix-length}}
[ethertype ethertype [ethertype-bitmask]]
[protocol protocol]
[14-source-port sport [port-bitmask]]
[14-destination-port dport [port-bitmask]]
```

```
{permit | deny} tagged-802.3
{any | host source | source address}
{any | host destination | destination address}
[cos cos cos-bitmask] [vid vid vid-bitmask]
[time-range time-range-name]
```

```
no {permit | deny} tagged-802.3
{any | host source | source address}
{any | host destination | destination address}
[cos cos cos-bitmask] [vid vid vid-bitmask]
```

```
{permit | deny} untagged-802.3
{any | host source | source address}
{any | host destination | destination address}
[time-range time-range-name]
```

```
no {permit | deny} untagged-802.3
{any | host source | source address}
{any | host destination | destination address}
```

tagged-eth2 – Tagged Ethernet II packets.

untagged-eth2 – Untagged Ethernet II packets.

tagged-802.3 – Tagged Ethernet 802.3 packets.

untagged-802.3 – Untagged Ethernet 802.3 packets.

any – Any MAC, IPv4 or IPv6 source or destination address.

host – A specific MAC, IPv4 or IPv6 address.

source – Source MAC, IPv4 or IPv6 address.

destination – Destination MAC, IPv4 or IPv6 address.

network-mask – Network mask for IP subnet. This mask identifies the host address bits used for routing to specific subnets.

prefix-length - Length of IPv6 prefix. A decimal value indicating how many contiguous bits (from the left) of the address comprise the prefix; i.e., the network portion of the address. (Range: 0-128)

cos – Class-of-Service value (Range: 0-7)

cos-bitmask⁶ – Class-of-Service bitmask. (Range: 0-7)

vid – VLAN ID. (Range: 1-4094)

vid-bitmask⁶ – VLAN bitmask. (Range: 1-4095)

ethertype – A specific Ethernet protocol number. (Range: 0-ffff hex)

ethertype-bitmask⁶ – Protocol bitmask. (Range: 0-ffff hex)

protocol - IP protocol or IPv6 next header. (Range: 0-255)

For information on next headers, see [permit, deny \(Extended IPv6 ACL\)](#).

sport⁷ – Protocol source port number. (Range: 0-65535)

dport⁷ – Protocol destination port number. (Range: 0-65535)

port-bitmask – Decimal number representing the port bits to match. (Range: 0-65535)

time-range-name - Name of the time range. (Range: 1-32 characters)

Default Setting

None

Command Mode

MAC ACL

Command Usage

- New rules are added to the end of the list.
- The **ethertype** option can only be used to filter Ethernet II formatted packets.
- A detailed listing of Ethernet protocol types can be found in RFC 1060. A few of the more common types include the following:
 - 0800 - IP
 - 0806 - ARP
 - 8137 - IPX
- If an Extended IPv4 rule and MAC rule match the same packet, and these rules specify a “permit” entry and “deny” entry, the “deny” action takes precedence.

6. For all bitmasks, “1” means relevant and “0” means ignore.

7. Includes TCP, UDP or other protocol types.

Example

This rule permits packets from any source MAC address to the destination address 00-e0-29-94-34-de where the Ethernet type is 0800.

```
Console(config-mac-acl)#permit any host 00-e0-29-94-34-de ethertype 0800
Console(config-mac-acl)#
```

mac access-group This command binds a MAC ACL to a port. Use the **no** form to remove the port.

Syntax

```
mac access-group acl-name {in | out}
[time-range time-range-name] [counter]
```

```
no mac access-group acl-name {in | out}
```

acl-name – Name of the ACL. (Maximum length: 32 characters)

in – Indicates that this list applies to ingress packets.

out – Indicates that this list applies to egress packets.

time-range-name - Name of the time range. (Range: 1-32 characters)

counter – Enables counter for ACL statistics.

Default Setting

None

Command Mode

Interface Configuration (Ethernet)

Command Usage

If an ACL is already bound to a port and you bind a different ACL to it, the switch will replace the old binding with the new one.

Example

```
Console(config)#interface ethernet 1/2
Console(config-if)#mac access-group jerry in
Console(config-if)#
```

show mac access-group This command shows the ports assigned to MAC ACLs.

Command Mode

Privileged Exec

Example

```
Console#show mac access-group
Interface ethernet 1/5
  MAC access-list M5 in
Console#
```

show mac access-list This command displays the rules for configured MAC ACLs.

Syntax

```
show mac access-list [acl-name]
```

acl-name – Name of the ACL. (Maximum length: 32 characters)

Command Mode

Privileged Exec

Example

```
Console#show mac access-list
MAC access-list jerry:
  permit any 00-e0-29-94-34-de ethertype 0800
Console#
```


ARP ACLs

The commands in this section configure ACLs based on the IP or MAC address contained in ARP request and reply messages. To configure ARP ACLs, first create an access list containing the required permit or deny rules, and then bind the access list to one or more VLANs using the `ip arp inspection vlan` command.

Table 59: ARP ACL Commands

Command	Function	Mode
<code>access-list arp</code>	Creates a ARP ACL and enters configuration mode	GC
<code>permit, deny</code>	Filters packets matching a specified source or destination address in ARP messages	ARP-ACL
<code>show access-list arp</code>	Displays the rules for configured ARP ACLs	PE

access-list arp This command adds an ARP access list and enters ARP ACL configuration mode. Use the **no** form to remove the specified ACL.

Syntax

`[no] access-list arp acl-name`

acl-name – Name of the ACL. (Maximum length: 32 characters)

Default Setting

None

Command Mode

Global Configuration

Command Usage

- When you create a new ACL or enter configuration mode for an existing ACL, use the **permit** or **deny** command to add new rules to the bottom of the list. To create an ACL, you must add at least one rule to the list.
- To remove a rule, use the **no permit** or **no deny** command followed by the exact text of a previously configured rule.
- An ACL can contain up to 128 rules.

Example

```
Console(config)#access-list arp factory
Console(config-arp-acl)#
```

permit, deny (ARP ACL) This command adds a rule to an ARP ACL. The rule filters packets matching a specified source or destination address in ARP messages. Use the **no** form to remove a rule.

Syntax

```
[no] {permit | deny}  
ip {any | host source-ip | source-ip ip-address-bitmask}  
  {any | host destination-ip | destination-ip ip-address-bitmask}  
mac {any | host source-mac | source-mac mac-address-bitmask}  
  {any | host destination-mac | destination-mac mac-address-bitmask} [log]
```

This form indicates either request or response packets.

```
[no] {permit | deny} request  
ip {any | host source-ip | source-ip ip-address-bitmask}  
  {any | host destination-ip | destination-ip ip-address-bitmask}  
mac {any | host source-mac | source-mac mac-address-bitmask}  
  {any | host destination-mac | destination-mac mac-address-bitmask} [log]
```

```
[no] {permit | deny} response  
ip {any | host source-ip | source-ip ip-address-bitmask}  
  {any | host destination-ip | destination-ip ip-address-bitmask}  
mac {any | host source-mac | source-mac mac-address-bitmask}  
  {any | host destination-mac | destination-mac mac-address-bitmask} [log]
```

source-ip – Source IP address.

destination-ip – Destination IP address with bitmask.

*ip-address-bitmask*⁸ – IPv4 number representing the address bits to match.

source-mac – Source MAC address.

destination-mac – Destination MAC address range with bitmask.

*mac-address-bitmask*⁸ – Bitmask for MAC address (in hexadecimal format).

log - Logs a packet when it matches the access control entry.

Default Setting

None

Command Mode

ARP ACL

Command Usage

New rules are added to the end of the list.

8. For all bitmasks, binary “1” means relevant and “0” means ignore.

Example

This rule permits packets from any source IP and MAC address to the destination subnet address 192.168.0.0.

```
Console(config-arp-acl)#permit response ip any 192.168.0.0 255.255.0.0 mac
any any
Console(config-arp-acl)#
```

show access-list arp This command displays the rules for configured ARP ACLs.

Syntax

show access-list arp [*acl-name*]

acl-name – Name of the ACL. (Maximum length: 32 characters)

Command Mode

Privileged Exec

Example

```
Console#show access-list arp
ARP access-list factory:
  permit response ip any 192.168.0.0 255.255.0.0 mac any any
Console#
```

ACL Information

This section describes commands used to display ACL information.

Table 60: ACL Information Commands

Command	Function	Mode
clear access-list hardware counters	Clears hit counter for rules in all ACLs, or in a specified ACL	PE
show access-group	Shows the ACLs assigned to each port	PE
show access-list	Show all ACLs and associated rules	PE

clear access-list hardware counters This command clears the hit counter for the rules in all ACLs, or for the rules in a specified ACL.

Syntax

clear access-list hardware counters
 [**direction in** [*interface interface*]] |
 [*interface interface*] | [**name** *acl-name*[**direction in**]]

in – Clears counter for ingress rules.

ethernet *unit/port*

unit - Unit identifier.

port - Port number.

acl-name – Name of the ACL. (Maximum length: 32 characters)

Command Mode

Privileged Exec

Example

```
Console#clear access-list hardware counters
Console#
```

show access-group This command shows the port assignments of ACLs.

Command Mode

Privileged Executive

Example

```
Console#show access-group
Interface ethernet 1/1
  IP access-list ex1 in
  IP access-list ex1 out
Interface ethernet 1/2
  IPv6 access-list i6ex in
  IPv6 access-list i6ex out
Console#
```

show access-list This command shows all ACLs and associated rules.

Syntax

```
show access-list
[[arp acl-name] |
ip [extended acl-name] | standard acl-name] |
[ipv6 [extended acl-name] | standard acl-name] |
[mac acl-name] | [tcam-utilization] | [hardware counters]]
```

arp – Shows ingress or egress rules for ARP ACLs.

hardware counters – Shows statistics for all ACLs.⁹

ip extended – Shows ingress or egress rules for Extended IPv4 ACLs.

ip standard – Shows ingress or egress rules for Standard IPv4 ACLs.

9. Due to a hardware limitation, this option only displays statistics for permit rules.

ipv6 extended – Shows ingress or egress rules for Extended IPv6 ACLs.

ipv6 standard – Shows ingress or egress rules for Standard IPv6 ACLs.

mac – Shows ingress or egress rules for MAC ACLs.

tcam-utilization – Shows the percentage of user configured ACL rules as a percentage of total ACL rules

acl-name – Name of the ACL. (Maximum length: 32 characters)

Command Mode

Privileged Exec

Example

```
Console#show access-list
IP standard access-list david:
  permit host 10.1.1.21
  permit 168.92.0.0 255.255.15.0
IP extended access-list bob:
  permit TCP 192.168.1.0 255.255.255.0 any destination-port 80
  permit TCP 192.168.1.0 255.255.255.0 any control-flag 2 2
  permit 10.7.1.1 255.255.255.0 any
MAC access-list jerry:
  permit any host 00-30-29-94-34-de ethertype 800 800
  permit any any VID 1 ethertype 0000 cos 1 1
IP extended access-list A6:
  permit any any DSCP 5
  permit any any next-header 43
  permit any 2009:db90:2229::79/8
ARP access-list arpl:
  permit response ip any 192.168.0.0 255.255.0.0 mac any any
  permit ip any any mac any any
  permit ip any any mac any host 12-12-12-12-12-12 log
Console#
```

12

Interface Commands

These commands are used to display or set communication parameters for an Ethernet port, aggregated link, or VLAN.

Table 61: Interface Commands

Command	Function	Mode
<i>Interface Configuration</i>		
<code>interface</code>	Configures an interface type and enters interface configuration mode	GC
<code>alias</code>	Configures an alias name for the interface	IC
<code>description</code>	Adds a description to an interface configuration	IC
<code>discard</code>	Discards CDP or PVST packets	IC
<code>flowcontrol</code>	Enables flow control on a given interface	IC
<code>history</code>	Configures a periodic sampling of statistics, specifying the sampling interval and number of samples	IC
<code>media-type</code>	Forces transceiver mode to use for SFP/SFP+ ports, or the port type to use for combination RJ-45/SFP ports	IC
<code>fec</code>	Configures the Forward Error Correction (FEC) mode on 100G QSFP28 ports	IC
<code>shutdown</code>	Disables an interface	IC
<code>reset configuration</code>	Restores all interface configuration to defaults	IC
<code>clear counters</code>	Clears statistics on an interface	PE
<code>hardware profile portmode</code>	Configures port settings for 1x100G, 4x10G, or 4x25G operation	PE
<code>show hardware profile portmode</code>	Displays the configuration settings for 40G operation	PE
<code>show discard</code>	Displays if CDP and PVST packets are being discarded	PE
<code>show interfaces brief</code>	Displays a summary of key information, including operational status, native VLAN ID, default priority, speed/duplex mode, and port type	PE
<code>show interfaces counters</code>	Displays statistics for the specified interfaces	NE, PE
<code>show interfaces history</code>	Displays periodic sampling of statistics, including the sampling interval, number of samples, and counter values	NE, PE
<code>show interfaces status</code>	Displays status for the specified interface	NE, PE
<code>show interfaces switchport</code>	Displays the administrative and operational status of an interface	NE, PE

Table 61: Interface Commands (Continued)

Command	Function	Mode
<i>Transceiver Threshold Configuration</i>		
<code>transceiver-monitor</code>	Sends a trap when any of the transceiver's operational values fall outside specified thresholds	IC
<code>transceiver-threshold-auto</code>	Uses default threshold settings obtained from the transceiver to determine when an alarm or trap message should be sent	IC
<code>transceiver-threshold current</code>	Sets thresholds for transceiver current which can be used to trigger an alarm or warning message	IC
<code>transceiver-threshold rx-power</code>	Sets thresholds for the transceiver power level of the received signal which can be used to trigger an alarm or warning message	IC
<code>transceiver-threshold temperature</code>	Sets thresholds for the transceiver temperature which can be used to trigger an alarm or warning message	IC
<code>transceiver-threshold tx-power</code>	Sets thresholds for the transceiver power level of the transmitted signal which can be used to trigger an alarm or warning message	IC
<code>transceiver-threshold voltage</code>	Sets thresholds for the transceiver voltage which can be used to trigger an alarm or warning message	IC
<code>show interfaces transceiver</code>	Displays the temperature, voltage, bias current, transmit power, and receive power	PE
<code>show interfaces transceiver-threshold</code>	Displays the alarm/warning thresholds for temperature, voltage, bias current, transmit power, and receive power	PE
<i>Port Diagnostics</i>		
<code>test loop internal</code>	Performs internal loop back test on the specified port	PE
<code>show loop internal</code>	Shows the results of a loop back test	PE

Interface Configuration

interface This command configures an interface type and enters interface configuration mode. Use the **no** form with a trunk to remove an inactive interface. Use the **no** form with a Layer 3 VLAN (normal type) to change it back to a Layer 2 interface.

Syntax

interface *interface*

no interface *interface* [**port-channel** *channel-id* | **vlan** *vlan-id*]

interface

craft - Management port on the front panel.

ethernet *unit/port-list*

unit - Unit identifier.

port-list - Physical port number or list of port numbers. Separate nonconsecutive port numbers with a comma and no spaces; or use a hyphen to designate a range of port numbers.

```
port-channel channel-id
vlan vlan-id (Range: 1-4094)
```

Default Setting

None

Command Mode

Global Configuration

Example

To specify several different ports, enter the following command:

```
Console(config)#interface ethernet 1/7-12,15
Console(config-if)#
```

alias This command configures an alias name for the interface. Use the **no** form to remove the alias name.

Syntax

```
alias string
```

```
no alias
```

string - A mnemonic name to help you remember what is attached to this interface. (Range: 1-64 characters)

Default Setting

None

Command Mode

Interface Configuration (Ethernet, Port Channel)

Command Usage

The alias is displayed in the running-configuration file. An example of the value which a network manager might store in this object for a WAN interface is the (Telco's) circuit number/identifier of the interface.

Example

The following example adds an alias to port 4.

```
Console(config)#interface ethernet 1/4
Console(config-if)#alias finance
Console(config-if)#
```


description This command adds a description to an interface. Use the **no** form to remove the description.

Syntax

description *string*

no description

string - Comment or a description to help you remember what is attached to this interface. (Range: 1-128 characters)

Default Setting

None

Command Mode

Interface Configuration (Ethernet, Port Channel)

Command Usage

The description is displayed by the [show interfaces status](#) command and in the running-configuration file. An example of the value which a network manager might store in this object is the name of the manufacturer, and the product name.

Example

The following example adds a description to port 4.

```
Console(config)#interface ethernet 1/4
Console(config-if)#description RD-SW#3
Console(config-if)#
```

discard This command discards CDP or PVST packets. Use the **no** form to forward the specified packet type to other ports configured the same way.

Syntax

[no] **discard** {**cdp** | **pvst**}

cdp – Cisco Discovery Protocol

pvst – Per-VLAN Spanning Tree

Default Setting

Default - Forward CDP and PVST packets

Command Mode

Interface Configuration (Ethernet)

Command Usage

Use the **no discard** command to allow CDP or PVST packets to be forwarded to other ports in the same VLAN which are also configured to forward the specified packet type.

Example

The following example forwards CDP packets entering port 5.

```
Console(config)#interface ethernet 1/5
Console(config-if)#discard cdp
Console(config-if)#
```

flowcontrol This command enables flow control. Use the **no** form to disable flow control.

Syntax

[no] flowcontrol

Default Setting

Disabled

Command Mode

Interface Configuration (Ethernet, Port Channel)

Command Usage

Flow control can eliminate frame loss by “blocking” traffic from end stations or segments connected directly to the switch when its buffers fill. When enabled, back pressure is used for half-duplex operation and IEEE 802.3-2002 (formally IEEE 802.3x) for full-duplex operation.

Example

The following example enables flow control on port 5.

```
Console(config)#interface ethernet 1/5
Console(config-if)#flowcontrol
Console(config-if)#
```

history This command configures a periodic sampling of statistics, specifying the sampling interval and number of samples. Use the **no** form to remove a named entry from the sampling table.

Syntax

history *name interval buckets*

no history [*name*]

name - A symbolic name for this entry in the sampling table. (Range: 1-31 characters)

interval - The interval for sampling statistics. (Range: 1-86400 seconds.)

buckets - The number of samples to take. (Range: 1-96)

Default Setting

15min - 15 minute interval, 96 buckets

1day - 1 day interval, 7 buckets

Command Mode

Interface Configuration (Ethernet, Port Channel)

Example

This example sets a interval of 15 minutes for sampling standard statistical values on port 1.

```
Console(config)#interface ethernet 1/1
Console(config-if)#history 15min 15 10
Console(config-if)#
```

media-type This command forces the transceiver mode to use for SFP+/QSFP28 ports. Use the **no** form to restore the default mode.

Syntax

media-type sfp-forced [*mode*]

no media-type

sfp-forced - Forces transceiver mode for the SFP+/QSFP28 port.

mode

1000sfp - Always uses 1000BASE SFP mode.

100gsfp - Always uses 100GBASE SFP mode.

10gsfp - Always uses 10GBASE SFP mode.

2500sfp - Always uses 2500BASE SFP mode.

40gsfp - Always uses 40GBASE SFP mode.

ifmode - Sets a specific interface mode when the media type is not automatically recognized.

kr - Sets the mode for DAC copper media.

sr_lr - Sets the mode for optical/AOC fiber media.

Default Setting

SFP+/QSFP28 ports: None

Command Mode

Interface Configuration (Ethernet)

Example

This forces the switch to use the 1000sfp mode for SFP port 8.

```
Console(config)#interface ethernet 1/8
Console(config-if)#media-type sfp-forced 1000sfp
Console(config-if)#
```

fec This command configures the Forward Error Correction (FEC) mode of 100G QSFP28 ports. Use the **no** form to disable FEC mode.

Syntax

fec {rs}

no fec

rs - Enables Reed-Solomon FEC (RS-FEC) on the port.

Default Setting

Disabled

Command Mode

Interface Configuration (Ethernet)

Command Usage

- Forward Error Correction (FEC) is a technique used for correcting data errors in transmission links. The use of Reed-Solomon FEC (RS-FEC) on noisy network

links can improve reliability and performance. The RS-FEC mode must be enabled on both ends of a link.

- If negotiation is enabled (auto mode), this command has no effect.

Example

```
Console(config)#interface ethernet 1/50
Console(config-if)#fec rs
Console(config-if)#
```

shutdown This command disables an interface. To restart a disabled interface, use the **no** form.

Syntax

[no] shutdown

Default Setting

All interfaces are enabled.

Command Mode

Interface Configuration (Ethernet, Port Channel)

Command Usage

This command allows you to disable a port due to abnormal behavior (e.g., excessive collisions), and then re-enable it after the problem has been resolved. You may also want to disable a port for security reasons.

Example

The following example disables port 5.

```
Console(config)#interface ethernet 1/5
Console(config-if)#shutdown
Console(config-if)#
```

reset configuration This command restores all configuration on an interface to default settings.

Syntax

reset configuration

Command Mode

Interface Configuration (Ethernet, Port Channel)

Example

The following example restores all configuration on port 5 to default values.

```
Console(config)#interface ethernet 1/5
Console(config-if)#reset configuration
Console(config-if)#
```

clear counters This command clears statistics on an interface.

Syntax

```
clear counters interface
           interface
             ethernet unit/port
                   unit - Unit identifier.
                   port - Port number.
             port-channel channel-id
```

Default Setting

None

Command Mode

Privileged Exec

Command Usage

Statistics are only initialized for a power reset. This command sets the base value for displayed statistics to zero for the current management session. However, if you log out and back into the management interface, the statistics displayed will show the absolute value accumulated since the last power reset.

Example

The following example clears statistics on port 5.

```
Console#clear counters ethernet 1/5
Console#
```

hardware profile portmode This command configures settings for QSFP28 port operation.

Syntax

```
hardware profile portmode interface {1x100g | 1x40g | 4x10g | 4x25g |
reset}
```

interface

ethernet *unit/port*

unit - Unit identifier.

port - Port number.

1x100g - Configures the port as a single 100G port.

1x40g - Configures the port as a single 40G port.

4x10g - Configures the port as four 10G ports.

4x25g - Configures the port as four 25G ports.

reset - Configures port mode to the default setting.

Default Setting

The example under the [show hardware profile portmode](#) command shows the default settings for this switch.

Command Mode

Privileged Exec

Command Usage

- The 100G ports can be configured as a single port connected with 100G QSFP28 fiber cable, 40G DAC (direct attach) cable, or breakout cable that connects a 100G port to four 25G or 10G ports.
- Any changes made with this command will not take effect until after the system is reloaded.

Example

This example sets the cabling option for Port 50.

```
Console#hardware profile portmode ethernet 1/50 4x10g
Console#
```

show hardware profile portmode

This command displays the port configuration settings for QSFP28 port operation.

Command Mode

Privileged Exec

Example

This example shows the default port settings.

```
Console#show hardware profile portmode

40G          10G          Config  Oper
Interfaces  Interfaces  Mode    Mode
-----  -

```

```

1/1      1/1-4      -      4x10g
1/5      1/5-8      -      4x10g
1/9      1/9-12     -      4x10g
1/13     1/13-16    -      4x10g
1/17     1/17-20    -      4x10g
.
.
.
1/49     1/55-58    -      1x100g
1/50     1/59-62    -      1x100g
1/51     1/63-66    -      1x100g
1/52     1/67-70    -      1x100g
1/53     1/71-74    -      1x100g
1/54     1/75-78    -      1x100g
Console#

```

show discard This command displays whether or not CDP and PVST packets are being discarded.

Command Mode

Privileged Exec

Example

In this example, “Default” means that the packets are not discarded.

```

Console#show discard
Port      CDP      PVST
-----  -
Eth 1/ 1  No      No
Eth 1/ 2  No      No
Eth 1/ 3  No      No
Eth 1/ 4  No      No
Eth 1/ 5  No      No
Eth 1/ 6  No      No
:

```

show interfaces brief This command displays a summary of key information, including operational status, native VLAN ID, default priority, speed/duplex mode, and port type for all ports.

Command Mode

Privileged Exec

Command Usage

- If an SFP transceiver is inserted in a port, the Type field will show the SFP type as interpreted from Ethernet Compliance Codes (Data Byte 6 in Address A0h). The Ethernet Compliance Code is a bitmap value, of which one bit is supposedly turned on. However, if the read-out is not recognizable (e.g., 2 or more bits on, or all 0s), the Type field just displays the raw data (hexadecimal value).
- If link status is down due to an administrative setting or the result of a protocol state, the reason will be listed in the Status field (i.e., Disabled, STP LBD,

BpduGuard, LinkDet, DynQoS, PortSec, LBD, ATC Bcast, ATC Mcast, UDLD, License).

Example

```

Console#show interfaces brief
-----
Interface Name      Status      PVID Pri Speed/Duplex  Type      Trunk
-----
Eth 1/ 1            Down        1   0 10Gfull      10GBASE SFP+ None
Eth 1/ 2            Down        1   0 10Gfull      10GBASE SFP+ None
Eth 1/ 3            Down        1   0 10Gfull      10GBASE SFP+ None
Eth 1/ 4            Down        1   0 10Gfull      10GBASE SFP+ None
Eth 1/ 5            Down        1   0 10Gfull      10GBASE SFP+ None
Eth 1/ 6            Down        1   0 10Gfull      10GBASE SFP+ None
:

```

show interfaces counters This command displays interface statistics.

Syntax

show interfaces counters [*interface*]

interface

ethernet *unit/port*

unit - Unit identifier.

port - Port number.

port-channel *channel-id*

Default Setting

Shows the counters for all interfaces.

Command Mode

Normal Exec, Privileged Exec

Command Usage

If no interface is specified, information on all interfaces is displayed.

Example

```

Console#show interfaces counters ethernet 1/1
Ethernet 1/ 1
===== IF table Stats =====
          2166458 Octets Input
        14734059 Octets Output
           14707 Unicast Input
           19806 Unicast Output
              0 Discard Input
              0 Discard Output
              0 Error Input
              0 Error Output
===== Extended Iftable Stats =====
                23 Multi-cast Input

```

```

5525 Multi-cast Output
170 Broadcast Input
11 Broadcast Output
===== Ether-like Stats =====
0 FCS Errors
0 Single Collision Frames
0 Multiple Collision Frames
0 Deferred Transmissions
0 Late Collisions
0 Excessive Collisions
0 Internal Mac Transmit Errors
0 Frames Too Long
0 Symbol Errors
0 Pause Frames Input
0 Pause Frames Output
===== RMON Stats =====
0 Drop Events
16900558 Octets
40243 Packets
170 Broadcast PKTS
23 Multi-cast PKTS
0 Undersize PKTS
0 Oversize PKTS
0 Fragments
0 Jabbers
0 CRC Align Errors
0 Collisions
802 Packet Size <= 64 Octets
83 Packet Size 65 to 127 Octets
99 Packet Size 128 to 255 Octets
25 Packet Size 256 to 511 Octets
6 Packet Size 512 to 1023 Octets
0 Packet Size 1024 to 1518 Octets
===== Port Utilization (recent 300 seconds) =====
111 Octets Input in kbits per second
0 Packets Input per second
0.00 % Input Utilization
606 Octets Output in kbits per second
1 Packets Output per second
0.00 % Output Utilization

Console#

```

show interfaces history This command displays periodic sampling of statistics, including the sampling interval, number of samples, and counter values.

Syntax

```
show interfaces history [interface [name [current | previous index count] [input | output]]]
```

interface

ethernet *unit/port*

unit - Unit identifier.

port - Port number.

port-channel *channel-id*

vlan *vlan-id* (Range: 1-4094)

name - Name of sample as defined in the [history](#) command.
(Range: 1-31 characters)

current - Statistics recorded in current interval.

previous - Statistics recorded in previous intervals.

index - An index into the buckets containing previous samples.
(Range: 1-96)

count - The number of historical samples to display. (Range: 1-96)

input - Ingress traffic.

output - Egress traffic.

Default Setting

Shows the historical settings and status for all interfaces.

Command Mode

Normal Exec, Privileged Exec

Command Usage

If no interface is specified, information on all interfaces is displayed.

Example

```

Console#show interfaces history ethernet 1/1 15min
Interface      : Eth 1/ 1
Name           : 15min
Interval       : 900 second(s)
Buckets Requested : 96
Buckets Granted  : 17
Status         : Active

Current Entries

Start Time    %      Octets Input  Unicast    Multicast    Broadcast
-----
-
00d 04:15:00  0.00          3201         0           31           6

Errors
-----
0

%      Octets Output  Unicast    Multicast    Broadcast
-----
0.00          716         4           2           0

Discards      Errors
-----
0             0

Previous Entries

Start Time    %      Octets Input  Unicast    Multicast    Broadcast
-----
-
00d 00:00:00  0.00      52248         0           560          120
00d 00:15:00  0.00      51278         0           549           99

```

00d 00:30:00	0.00	51252	0	546	111
00d 00:45:00	0.00	51076	0	547	99
00d 01:00:00	0.00	51636	0	546	117
00d 01:15:00	0.00	55632	0	571	108
00d 01:30:00	0.00	51990	0	546	120
00d 01:45:00	0.00	51616	0	549	102
00d 02:00:00	0.00	51444	0	546	114
00d 02:15:00	0.00	51424	0	549	99
00d 02:30:00	0.00	51168	0	543	114
00d 02:45:00	0.00	51548	0	553	99
00d 03:00:00	0.00	50602	0	545	102
00d 03:15:00	0.00	52768	0	549	120
00d 03:30:00	0.00	50272	0	543	100
00d 03:45:00	0.00	52238	0	548	116
00d 04:00:00	0.00	50602	0	545	102

Start Time	Discards	Errors
00d 00:00:00	0	0
00d 00:15:00	0	0
00d 00:30:00	0	0
00d 00:45:00	0	0
00d 01:00:00	0	0
00d 01:15:00	0	0
00d 01:30:00	0	0
00d 01:45:00	0	0
00d 02:00:00	0	0
00d 02:15:00	0	0
00d 02:30:00	0	0
00d 02:45:00	0	0
00d 03:00:00	0	0
00d 03:15:00	0	0
00d 03:30:00	0	0
00d 03:45:00	0	0
00d 04:00:00	0	0

Console#

show interfaces status This command displays the status for an interface.

Syntax

show interfaces status [*interface*]

interface

ethernet *unit/port*

unit - Unit identifier.

port - Port number.

port-channel *channel-id*

vlan *vlan-id* (Range: 1-4094)

Default Setting

Shows the status for all interfaces.

Command Mode

Normal Exec, Privileged Exec

Command Usage

- If no interface is specified, information on all interfaces is displayed.
- For port channels, this command displays the total bandwidth of active trunk members. For example, if ports 1 and 2 are active members of a trunk with 10G full-duplex links, the total bandwidth is displayed as “20000 Mb/second” (20G).

Example

```

Console#show interfaces status port-channel 1
Information of Trunk 1
Basic Information:
  Port Type           : 10GBASE-T
  MAC Address         : 04-F8-F8-81-8C-AB
Configuration:
  Name                :
  Port Admin          : Up
  Speed-duplex        : Auto
  Capabilities        : 10half, 10full, 100half, 100full, 1000full
                      10Gfull
  Broadcast Storm     : Disabled
  Broadcast Storm Limit : 500 packets/second
  Multicast Storm     : Disabled
  Multicast Storm Limit : 500 packets/second
  Unknown Unicast Storm : Disabled
  Unknown Unicast Storm Limit : 500 packets/second
  Flow Control        : Disabled
  VLAN Trunking       : Disabled
  MAC Learning        : Enabled
  Link-up-down Trap   : Enabled
Current Status:
  Created By          : User
  Link Status         : Up
  Port Operation Status : Up
  Operation Speed-duplex : 10Gfull
  Total bandwidth     : 20000 Mb/second
  Up Time             : 0w 0d 0h 0m 1s (1 seconds)
  Flow Control Type   : None
  Max Frame Size      : 1518 bytes (1522 bytes for tagged frames)
  MAC Learning Status : Enabled
  Member Ports        : Eth1/1, Eth1/2
  Active Member Ports : Eth1/1, Eth1/2
Console#

```

show interfaces switchport This command displays the administrative and operational status of the specified interfaces.

Syntax

```

show interfaces switchport [interface]
                        interface
                        ethernet unit/port

```

unit - Unit identifier.

port - Port number.

port-channel *channel-id*

Default Setting

Shows all interfaces.

Command Mode

Normal Exec, Privileged Exec

Command Usage

If no interface is specified, information on all interfaces is displayed.

Example

This example shows the configuration setting for port 1.

```

Console#show interfaces switchport ethernet 1/1
Information of Eth 1/1
Broadcast Threshold           : Disabled
Multicast Threshold           : Disabled
Unknown Unicast Threshold     : Disabled
LACP Status                   : Disabled
Ingress Rate Limit            : Disabled, 10000000 kbits/second
Egress Rate Limit             : Disabled, 10000000 kbits/second
VLAN Membership Mode          : Hybrid
Ingress Rule                   : Enabled
Acceptable Frame Type         : All frames
Native VLAN                    : 1
Priority for Untagged Traffic  : 0
GVRP Status                   : Disabled
Allowed VLAN                   : 1(u)
Forbidden VLAN                 :
802.1Q Tunnel Status          : Disabled
802.1Q Tunnel Mode            : Normal
802.1Q Tunnel TPID            : 8100 (Hex)
Layer 2 Protocol Tunnel       : None
Console#

```

Transceiver Threshold Configuration

transceiver-monitor This command sends a trap when any of the transceiver's operational values fall outside of specified thresholds. Use the **no** form to disable trap messages.

Syntax

[no] transceiver-monitor

Default Setting

Disabled

Command Mode

Interface Configuration

Example

```

Console(config)interface ethernet 1/1
Console(config-if)#transceiver-monitor
Console#

```

transceiver-threshold-auto

This command uses default threshold settings obtained from the transceiver to determine when an alarm or warning message should be sent. Use the **no** form to disable this feature.

Syntax

[no] transceiver-threshold-auto

Default Setting

Enabled

Command Mode

Interface Configuration

Example

```

Console(config)interface ethernet 1/12
Console(config-if)#transceiver-threshold-auto
Console#

```

transceiver-threshold-current

This command sets thresholds for transceiver current which can be used to trigger an alarm or warning message. Use the **no** form to restore the default settings.

Syntax

transceiver-threshold current {high-alarm | high-warning | low-alarm | low-warning} *threshold-value*

high-alarm – Sets the high current threshold for an alarm message.

high-warning – Sets the high current threshold for a warning message.

low-alarm – Sets the low current threshold for an alarm message.

low-warning – Sets the low current threshold for a warning message.

threshold-value – The threshold of the transceiver current.

(Range: 0-13100 in units of 0.01 mA)

Default Setting

Defaults are transceiver dependent.

Command Mode

Interface Configuration

Command Usage

- If trap messages are enabled with the `transceiver-monitor` command, and a high-threshold alarm or warning message is sent if the current value is greater than or equal to the threshold, and the last sample value was less than the threshold. After a rising event has been generated, another such event will not be generated until the sampled value has fallen below the high threshold and reaches the low threshold.
- If trap messages are enabled with the `transceiver-monitor` command, and a low-threshold alarm or warning message is sent if the current value is less than or equal to the threshold, and the last sample value was greater than the threshold. After a falling event has been generated, another such event will not be generated until the sampled value has risen above the low threshold and reaches the high threshold.
- Threshold events are triggered as described above to avoid a hysteresis effect which would continuously trigger event messages if the power level were to fluctuate just above and below either the high threshold or the low threshold.
- Trap messages enabled by the `transceiver-monitor` command are sent to any management station configured by the `snmp-server host` command.
- Transceiver-Threshold Auto must be disabled.

Example

The following example sets alarm thresholds for the transceiver current at port 9.

```

Console(config)interface ethernet 1/9
Console(config-if)#transceiver-threshold current low-alarm 100
Console(config-if)#transceiver-threshold rx-power high-alarm 700
Console#

```

transceiver-threshold rx-power

This command sets thresholds for the transceiver power level of the received signal which can be used to trigger an alarm or warning message. Use the **no** form to restore the default settings.

Syntax

`transceiver-threshold rx-power {high-alarm | high-warning | low-alarm | low-warning} threshold-value`

`no transceiver-threshold rx-power`

high-alarm – Sets the high power threshold for an alarm message.

high-warning – Sets the high power threshold for a warning message.

low-alarm – Sets the low power threshold for an alarm message.

low-warning – Sets the low power threshold for a warning message.

threshold-value – The power threshold of the received signal.
(Range: -4000 - 820 in units of 0.01 dBm)

Default Setting

Defaults are transceiver dependent.

Command Mode

Interface Configuration

Command Usage

- The threshold value is the power ratio in decibels (dB) of the measured power referenced to one milliwatt (mW).
- Refer to the Command Usage section under the [transceiver-threshold current](#) command for more information on configuring transceiver thresholds.
- Trap messages enabled by the [transceiver-monitor](#) command are sent to any management station configured by the [snmp-server host](#) command.

Example

The following example sets alarm thresholds for the signal power received at port 1.

```
Console(config)interface ethernet 1/1
Console(config-if)#transceiver-threshold rx-power low-alarm -21
Console(config-if)#transceiver-threshold rx-power high-alarm -3
Console#
```

transceiver-threshold temperature

This command sets thresholds for the transceiver temperature which can be used to trigger an alarm or warning message. Use the **no** form to restore the default settings.

Syntax

transceiver-threshold temperature {**high-alarm** | **high-warning** | **low-alarm** | **low-warning**} *threshold-value*

no transceiver-threshold temperature

high-alarm – Sets the high temperature threshold for an alarm message.

high-warning – Sets the high temperature threshold for a warning message.

low-alarm – Sets the low temperature threshold for an alarm message.

low-warning – Sets the low temperature threshold for a warning message.

threshold-value – The threshold of the transceiver temperature.
(Range: -12800 - 12800 in units of 0.01 Celsius)

Default Setting

Defaults are transceiver dependent.

Command Mode

Interface Configuration

Command Usage

- Refer to the Command Usage section under the [transceiver-threshold current](#) command for more information on configuring transceiver thresholds.
- Trap messages enabled by the [transceiver-monitor](#) command are sent to any management station configured by the [snmp-server host](#) command.

Example

The following example sets alarm thresholds for the transceiver temperature at port 1.

```

Console(config)interface ethernet 1/1
Console(config-if)#transceiver-threshold temperature low-alarm 97
Console(config-if)#transceiver-threshold temperature high-alarm -83
Console#

```

transceiver-threshold tx-power

This command sets thresholds for the transceiver power level of the transmitted signal which can be used to trigger an alarm or warning message. Use the **no** form to restore the default settings.

Syntax

transceiver-threshold tx-power {**high-alarm** | **high-warning** | **low-alarm** | **low-warning**} *threshold-value*

no transceiver-threshold tx-power

high-alarm – Sets the high power threshold for an alarm message.

high-warning – Sets the high power threshold for a warning message.

low-alarm – Sets the low power threshold for an alarm message.

low-warning – Sets the low power threshold for a warning message.

threshold-value – The power threshold of the transmitted signal.
(Range: -4000 - 820 in units of 0.01 dBm)

Default Setting

Defaults are transceiver dependent.

Command Mode

Interface Configuration

Command Usage

- The threshold value is the power ratio in decibels (dB) of the measured power referenced to one milliwatt (mW).
- Refer to the Command Usage section under the [transceiver-threshold current](#) command for more information on configuring transceiver thresholds.
- Trap messages enabled by the [transceiver-monitor](#) command are sent to any management station configured by the [snmp-server host](#) command.

Example

The following example sets alarm thresholds for the signal power transmitted at port 9.

```
Console(config)interface ethernet 1/9
Console(config-if)#transceiver-threshold tx-power low-alarm -4000
Console(config-if)#transceiver-threshold tx-power high-alarm 820
Console#
```

transceiver-threshold voltage This command sets thresholds for the transceiver voltage which can be used to trigger an alarm or warning message. Use the **no** form to restore the default settings.

Syntax

transceiver-threshold voltage {**high-alarm** | **high-warning** | **low-alarm** | **low-warning**} *threshold-value*

no transceiver-threshold voltage

high-alarm – Sets the high voltage threshold for an alarm message.

high-warning – Sets the high voltage threshold for a warning message.

low-alarm – Sets the low voltage threshold for an alarm message.

low-warning – Sets the low voltage threshold for a warning message.

threshold-value – The threshold of the transceiver voltage.

(Range: 0-655 in units of 0.01 Volt)

Default Setting

Defaults are transceiver dependent.

Command Mode

Interface Configuration

Command Usage

- Refer to the Command Usage section under the [transceiver-threshold current](#) command for more information on configuring transceiver thresholds.

- Trap messages enabled by the `transceiver-monitor` command are sent to any management station configured by the `snmp-server host` command.

Example

The following example sets alarm thresholds for the transceiver voltage at port 9.

```
Console(config)#interface ethernet 1/9
Console(config-if)#transceiver-threshold voltage low-alarm 100
Console(config-if)#transceiver-threshold voltage high-alarm 500
Console#
```

show interfaces transceiver This command displays identifying information for the specified transceiver, including connector type and vendor-related parameters, as well as the temperature, voltage, bias current, transmit power, and receive power.

Syntax

show interfaces transceiver [*interface*]

interface

ethernet *unit/port*

unit - Unit identifier.

port - Port number.

Default Setting

Shows all interfaces.

Command Mode

Privileged Exec

Command Usage

The switch can display diagnostic information for SFP modules which support the SFF-8472 Specification for Diagnostic Monitoring Interface for Optical Transceivers. This information allows administrators to remotely diagnose problems with optical devices. This feature, referred to as Digital Diagnostic Monitoring (DDM) in the command display, provides information on transceiver parameters including temperature, supply voltage, laser bias current, laser power, and received optical power, and related alarm thresholds.

Example

```
Console#show interfaces transceiver ethernet 1/1
Information of Eth 1/1
Connector Type       : LC
Fiber Type           : Multimode Mode
Eth Compliance Codes : 10GBASE-SR
Wavelength           : 850 nm
Baud Rate            : 10300 MBd
Link length          : 300 m
```

```

Vendor OUI           : 00-00-00
Vendor Name         : Edgecore
Vendor PN           : ET5402-SR
Vendor Rev          :
Vendor SN           : F121950005
Date Code           : 12-05-10
DDM Information
  Temperature        : 19.93 degree C
  Vcc                 : 3.32 V
  Bias Current       : 0.00 mA
  TX Power            : -40.00 dBm
  RX Power            : -33.01 dBm
DDM Thresholds
-----
                                Low Alarm  Low Warning  High Warning  High Alarm
-----
Temperature (Celsius)          -25.00      -20.00          90.00      95.00
Voltage (Volts)                 2.80         2.90           3.70         3.80
Current (mA)                    0.50         1.00          18.00        20.00
TxPower (dBm)                  -7.96        -6.99           1.00         2.01
RxPower (dBm)                  -20.00       -19.00           0.00         1.00
Console#

```

show interfaces transceiver-threshold This command Displays the alarm/warning thresholds for temperature, voltage, bias current, transmit power, and receive power.

Syntax

```

show interfaces transceiver-threshold [interface]
                                     interface
                                     ethernet unit/port
                                     unit - Unit identifier.
                                     port - Port number.

```

Default Setting

Shows all interfaces.

Command Mode

Privileged Exec

Command Usage

- The switch can display diagnostic information for SFP modules which support the SFF-8472 Specification for Diagnostic Monitoring Interface for Optical Transceivers. This information allows administrators to remotely diagnose problems with optical devices. This feature, referred to as Digital Diagnostic Monitoring (DDM) in the command display, provides information on transceiver parameters including temperature, supply voltage, laser bias current, laser power, received optical power, and related alarm thresholds.
- The DDM thresholds displayed by this command only apply to ports which have a DDM-compliant transceiver inserted.

Example

```

Console#show interfaces transceiver-threshold ethernet 1/5
Information of Eth 1/5
DDM Thresholds
Transceiver-monitor      : Disabled
Transceiver-threshold-auto : Enabled
-----
                Low Alarm  Low Warning  High Warning  High Alarm
-----
Temperature(Celsius)    -123.00      0.00          70.00         75.00
Voltage(Volts)          3.10         3.15          3.45          3.50
Current(mA)              6.00         7.00          90.00         100.00
TxPower(dBm)            -12.00       -11.50        -9.50         -9.00
RxPower(dBm)            -21.50       -21.00        -3.50         -3.00
Console#

```

Port Diagnostics

test loop internal This command performs an internal loop back test on the specified port.

Syntax

```
test loop internal interface interface
```

interface

ethernet *unit/port*

unit - Unit identifier.

port - Port number.

Command Mode

Privileged Exec

Command Usage

- Loopback testing can only be performed on a port that is not linked up. The internal loopback makes it possible to check that an interface is working properly without having to make any network connections.
- When performing an internal loopback test, packets from the specified interface are looped back into its internal PHY. Outgoing data is looped back to the receiver without actually being transmitted.

Example

```

Console#test loop internal interface ethernet 1/1
Internal loopback test: succeeded
Console#

```

show loop internal This command shows the results of a loop back test.

Syntax

```
show loop internal interface [interface]
```

interface

```
ethernet unit/port
```

unit - Stack unit.

port - Port number.

Command Mode

Privileged Exec

Example

```
Console#show loop internal interface ethernet 1/1
```

Port	Test Result	Last Update
Eth 1/1	Succeeded	2024-07-15 15:26:56

```
Console#
```

13

Link Aggregation Commands

Ports can be statically grouped into an aggregate link (i.e., trunk) to increase the bandwidth of a network connection or to ensure fault recovery. Or you can use the Link Aggregation Control Protocol (LACP) to automatically negotiate a trunk link between this switch and another network device. For static trunks, the switches have to comply with the Cisco EtherChannel standard. For dynamic trunks, the switches have to comply with LACP. For example, a trunk consisting of two 1000 Mbps ports can support an aggregate bandwidth of 4 Gbps when operating at full duplex.

Table 62: Link Aggregation Commands

Command	Function	Mode
<i>Manual Configuration Commands</i>		
<code>interface port-channel</code>	Configures a trunk and enters interface configuration mode for the trunk	GC
<code>port-channel load-balance</code>	Sets the load-distribution method among ports in aggregated links	GC
<code>channel-group</code>	Adds a port to a trunk	IC (Ethernet)
<i>Dynamic Configuration Commands</i>		
<code>lacp</code>	Configures LACP for the current interface	IC (Ethernet)
<code>lacp actor/partner mode (Ethernet Interface)</code>	Configures the port's LACP actor or partner negotiation activity mode	IC (Ethernet)
<code>lacp admin-key</code>	Configures a port's administration key	IC (Ethernet)
<code>lacp port-priority</code>	Configures a port's LACP port priority	IC (Ethernet)
<code>lacp system-priority</code>	Configures a port's LACP system priority	IC (Ethernet)
<code>lacp admin-key</code>	Configures an port channel's administration key	IC (Port Channel)
<code>lacp timeout</code>	Configures the timeout to wait for next LACPDU	IC (Port Channel)
<i>Trunk Status Display Commands</i>		
<code>show interfaces status port-channel</code>	Shows trunk information	NE, PE
<code>show lacp</code>	Shows LACP information	PE
<code>show port-channel load-balance</code>	Shows the load-distribution method used on aggregated links	PE
<i>Multi-Chassis Link Aggregation Group Commands</i>		
<code>mlag</code>	Enables MLAG globally	GC
<code>mlag domain peer-link</code>	Configures the MLAG domain peer link	GC
<code>mlag group member</code>	Configures MLAG domain member ports	GC

Table 62: Link Aggregation Commands

Command	Function	Mode
<code>show mlag</code>	Shows MLAG configuration settings	PE
<code>show mlag group</code>	Shows MLAG group settings	PE
<code>show mlag group</code>	Shows MLAG domain settings	PE

Guidelines for Creating Trunks

General Guidelines –

- Finish configuring trunks before you connect the corresponding network cables between switches to avoid creating a loop.
- A trunk can have up to 8 ports.
- The ports at both ends of a connection must be configured as trunk ports.
- All ports in a trunk must be configured in an identical manner, including communication mode (i.e., speed and duplex mode), VLAN assignments, and CoS settings.
- Any of the Gigabit ports on the front panel can be trunked together, including ports of different media types.
- All the ports in a trunk have to be treated as a whole when moved from/to, added or deleted from a VLAN via the specified port-channel.
- STP, VLAN, and IGMP settings can only be made for the entire trunk via the specified port-channel.

Dynamically Creating a Port Channel –

Ports assigned to a common port channel must meet the following criteria:

- Ports must have the same LACP system priority.
- Ports must have the same port admin key (Ethernet Interface).
- If the port channel admin key (`lacp admin key` - Port Channel) is not set when a channel group is formed (i.e., it has the null value of 0), the operational key is set to the same value as the operational key of the first member port.
- However, if the port channel admin key is set, then the port admin key must be set to the same value for a port to be allowed to join a channel group.
- If a link goes down, LACP port priority is used to select the backup link.

Manual Configuration Commands

port-channel load-balance This command sets the load-distribution method among ports in aggregated links (for both static and dynamic trunks). Use the **no** form to restore the default setting.

Syntax

```
port-channel load-balance {dst-ip | dst-mac | src-dst-ip | src-dst-mac | src-ip  
| src-mac}
```

```
no port-channel load-balance
```

dst-ip - Load balancing based on destination IP address.

dst-mac - Load balancing based on destination MAC address.

src-dst-ip - Load balancing based on source and destination IP address.

src-dst-mac - Load balancing based on source and destination MAC address.

src-ip - Load balancing based on source IP address.

src-mac - Load balancing based on source MAC address.

Default Setting

src-dst-mac

Command Mode

Global Configuration

Command Usage

- This command applies to all static and dynamic trunks on the switch.
- To ensure that the switch traffic load is distributed evenly across all links in a trunk, select the source and destination addresses used in the load-balance calculation to provide the best result for trunk connections:
 - **dst-ip**: All traffic with the same destination IP address is output on the same link in a trunk. This mode works best for switch-to-router trunk links where traffic through the switch is destined for many different hosts. Do not use this mode for switch-to-server trunk links where the destination IP address is the same for all traffic.
 - **dst-mac**: All traffic with the same destination MAC address is output on the same link in a trunk. This mode works best for switch-to-switch trunk links where traffic through the switch is destined for many different hosts. Do not use this mode for switch-to-router trunk links where the destination MAC address is the same for all traffic.
 - **src-dst-ip**: All traffic with the same source and destination IP address is output on the same link in a trunk. This mode works best for switch-to-

router trunk links where traffic through the switch is received from and destined for many different hosts.

- **src-dst-mac:** All traffic with the same source and destination MAC address is output on the same link in a trunk. This mode works best for switch-to-switch trunk links where traffic through the switch is received from and destined for many different hosts.
- **src-ip:** All traffic with the same source IP address is output on the same link in a trunk. This mode works best for switch-to-router or switch-to-server trunk links where traffic through the switch is received from many different hosts.
- **src-mac:** All traffic with the same source MAC address is output on the same link in a trunk. This mode works best for switch-to-switch trunk links where traffic through the switch is received from many different hosts.

Example

```
Console(config)#port-channel load-balance dst-ip
Console(config)#
```

channel-group This command adds a port to a trunk. Use the **no** form to remove a port from a trunk.

Syntax

```
channel-group channel-id
no channel-group
channel-id - Trunk index
```

Default Setting

The current port is not a member of any trunk.

Command Mode

Interface Configuration (Ethernet)

Command Usage

- When configuring static trunks, the switches must comply with the Cisco EtherChannel standard.
- Use **no channel-group** to remove a port group from a trunk.
- Use **no interface port-channel** to remove a trunk from the switch.

Example

The following example creates trunk 1 and then adds port 10:

```
Console(config)#interface port-channel 1
Console(config-if)#exit
Console(config)#interface ethernet 1/10
Console(config-if)#channel-group 1
Console(config-if)#
```

Dynamic Configuration Commands

lACP This command enables 802.3ad Link Aggregation Control Protocol (LACP) for the current interface. Use the **no** form to disable it.

Syntax

```
[no] lACP
```

Default Setting

Disabled

Command Mode

Interface Configuration (Ethernet)

Command Usage

- The ports on both ends of an LACP trunk must be configured for full duplex.
- A trunk formed with another switch using LACP will automatically be assigned the next available port-channel ID.
- If the target switch has also enabled LACP on the connected ports, the trunk will be activated automatically.
- If more than eight ports attached to the same target switch have LACP enabled, the additional ports will be placed in standby mode, and will only be enabled if one of the active links fails.

Example

The following shows LACP enabled on ports 1-3. Because LACP has also been enabled on the ports at the other end of the links, the `show interfaces status port-channel 1` command shows that Trunk1 has been established.

```
Console(config)#interface ethernet 1/1
Console(config-if)#lACP
Console(config-if)#interface ethernet 1/2
Console(config-if)#lACP
Console(config-if)#interface ethernet 1/3
Console(config-if)#lACP
Console(config-if)#end
```

```

Console#show interfaces status port-channel 1
Information of Trunk 1
Basic Information:
  Port Type           : 10GBASE SFP+
  MAC Address         : 12-34-12-34-12-3F
Configuration:
  Name                :
  Port Admin          : Up
  Speed-duplex        : 10Gfull
  Broadcast Storm     : Enabled
  Broadcast Storm Limit : 500 packets/second
  Multicast Storm     : Disabled
  Multicast Storm Limit : 500 packets/second
  Unknown Unicast Storm : Disabled
  Unknown Unicast Storm Limit : 500 packets/second
  Storm Threshold Resolution : 1 packets/second
  Flow Control        : Disabled
  MAC Learning        : Enabled
  Link-up-down Trap   : Enabled
Current status:
  Created By          : LACP
  Link Status         : Up
  Port Operation Status : Up
  Operation Speed-duplex : 10Gfull
  Up Time             : 0w 0d 0h 0m 53s (53 seconds)
  Flow Control Type   : None
  Max Frame Size      : 1518 bytes (1522 bytes for tagged frames)
  MAC Learning Status : Enabled
  Member Ports        : Eth1/1, Eth1/2, Eth1/3,
  Active Member Ports : Eth1/1, Eth1/2, Eth1/3,
Console#

```

lacp actor/partner mode (Ethernet Interface) This command configures a port's LACP actor or partner negotiation activity mode. Use the **no** form to restore to the default setting.

Syntax

```
lacp {actor | partner} mode {active | passive}
```

```
no lacp {actor | partner} mode
```

actor - The local side an aggregate link.

partner - The remote side of an aggregate link.

mode - Configures the negotiation activity mode.

active - Specifies the port's activity mode to initiate and transmit LACP negotiation packets.

passive - Specifies the port's activity mode to only respond to LACP negotiation packets.

Default Setting

Actor: Active, Partner: Passive

Command Mode

Interface Configuration (Ethernet)

Command Usage

An LACP trunk cannot be instantiated if both sides are set to passive.

Example

```

Console(config)#interface ethernet 1/5
Console(config-if)#lACP actor mode passive
Console(config-if)#

```

lACP admin-key (Ethernet Interface) This command configures a port's LACP administration key. Use the **no** form to restore the default setting.

Syntax

lACP {actor | partner} admin-key key

no lACP {actor | partner} admin-key

actor - The local side an aggregate link.

partner - The remote side of an aggregate link.

key - The port admin key must be set to the same value for ports that belong to the same link aggregation group (LAG). (Range: 0-65535)

Default Setting

Partner: 0

Command Mode

Interface Configuration (Ethernet)

Command Usage

- Ports are only allowed to join the same LAG if (1) the LACP system priority matches, (2) the LACP port admin key matches, and (3) the LACP port channel key matches (if configured).
- If the port channel admin key (**lACP admin key** - Port Channel) is not set when a channel group is formed (i.e., it has the null value of 0), the operational key is set to the same value as the operational key of the first member port.
- Once the remote side of a link has been established, LACP operational settings are already in use on that side. Configuring LACP settings for the partner only applies to its administrative state, not its operational state.



Note: Configuring the partner admin-key does not affect remote or local switch operation. The local switch just records the partner admin-key for user reference.

- If the admin key is not set, the actor's operational key is determined by port's link speed (100G - 9, 25G - 8, 40G - 7, 2.5G - 6, 10G - 5).

Example

```
Console(config)#interface ethernet 1/5
Console(config-if)#lacp actor admin-key 120
Console(config-if)#
```

lacp port-priority This command configures LACP port priority. Use the **no** form to restore the default setting.

Syntax

lacp {**actor** | **partner**} **port-priority** *priority*

no lacp {**actor** | **partner**} **port-priority**

actor - The local side an aggregate link.

partner - The remote side of an aggregate link.

priority - LACP port priority is used to select a backup link. (Range: 0-65535)

Default Setting

32768

Command Mode

Interface Configuration (Ethernet)

Command Usage

- Setting a lower value indicates a higher effective priority.
- If an active port link goes down, the backup port with the highest priority is selected to replace the downed link. However, if two or more ports have the same LACP port priority, the port with the lowest physical port number will be selected as the backup port.
- If an LAG already exists with the maximum number of allowed port members, and LACP is subsequently enabled on another port using a higher priority than an existing member, the newly configured port will replace an existing port member that has a lower priority.
- Once the remote side of a link has been established, LACP operational settings are already in use on that side. Configuring LACP settings for the partner only applies to its administrative state, not its operational state, and will only take effect the next time an aggregate link is established with the partner.

Example

```
Console(config)#interface ethernet 1/5
Console(config-if)#lacp actor port-priority 128
```

lacp system-priority This command configures a port's LACP system priority. Use the **no** form to restore the default setting.

Syntax

```
lacp {actor | partner} system-priority priority
```

```
no lacp {actor | partner} system-priority
```

actor - The local side an aggregate link.

partner - The remote side of an aggregate link.

priority - This priority is used to determine link aggregation group (LAG) membership, and to identify this device to other switches during LAG negotiations. (Range: 0-65535)

Default Setting

32768

Command Mode

Interface Configuration (Ethernet)

Command Usage

- Port must be configured with the same system priority to join the same LAG.
- System priority is combined with the switch's MAC address to form the LAG identifier. This identifier is used to indicate a specific LAG during LACP negotiations with other systems.
- Once the remote side of a link has been established, LACP operational settings are already in use on that side. Configuring LACP settings for the partner only applies to its administrative state, not its operational state, and will only take effect the next time an aggregate link is established with the partner.

Example

```
Console(config)#interface ethernet 1/5  
Console(config-if)#lacp actor system-priority 3  
Console(config-if)#
```


lacp admin-key (Port Channel) This command configures a port channel's LACP administration key. Use the **no** form to restore the default setting.

Syntax

lacp admin-key *key*

no lacp admin-key

key - The port channel admin key is used to identify a specific link aggregation group (LAG) during local LACP setup on this switch.
(Range: 0-65535)

Default Setting

None

Command Mode

Interface Configuration (Port Channel)

Command Usage

- Ports are only allowed to join the same LAG if (1) the LACP system priority matches, (2) the LACP port admin key matches, and (3) the LACP port channel key matches (if configured).
- If the port channel admin key (**lacp admin key** - Port Channel) is not set when a channel group is formed (i.e., it has the null value of 0), the operational key is set to the same value as the operational key of the first member port. Note that when the LAG is no longer used, the port channel admin key is reset to 0.

Example

```
Console(config)#interface port-channel 1
Console(config-if)#lacp admin-key 3
Console(config-if)#
```

lacp timeout This command configures the timeout to wait for the next LACP data unit (LACPDU).

Syntax

lacp timeout {**long** | **short**}

long - Specifies a slow timeout of 90 seconds.

short - Specifies a fast timeout of 3 seconds.

Default Setting

long

Command Mode

Interface Configuration (Port Channel)

Command Usage

- The timeout configured by this command is set in the LACP timeout bit of the Actor State field in transmitted LACPDU. When the partner switch receives an LACPDU set with a short timeout from the actor switch, the partner adjusts the transmit LACPDU interval to 1 second. When it receives an LACPDU set with a long timeout from the actor, it adjusts the transmit LACPDU interval to 30 seconds.
- If the actor does not receive an LACPDU from its partner before the configured timeout expires, the partner port information will be deleted from the LACP group.
- When a dynamic port-channel member leaves a port-channel, the default timeout value will be restored on that port.
- When a dynamic port-channel is torn down, the configured timeout value will be retained. When the dynamic port-channel is constructed again, that timeout value will be used.

Example

```
Console(config)#interface port-channel 1
Console(config-if)#lACP timeout short
Console(config-if)#
```

Trunk Status Display Commands

show lacp This command displays LACP information.

Syntax

```
show lacp [port-channel] {counters | internal | neighbors }
```

port-channel - Local identifier for a link aggregation group. (Range: 1-12)

counters - Statistics for LACP protocol messages.

internal - Configuration settings and operational state for local side.

neighbors - Configuration settings and operational state for remote side.

Default Setting

Port Channel: all

Command Mode

Privileged Exec

Example

```
Console#show lacp 1 counters
Port Channel: 1
Member Port           : Eth 1/14
LACPDU Sent           : 7
```

```

LACPDU Received      : 6
MarkerPDU Sent       : 0
MarkerPDU Received   : 0
MarkerResponsePDU Sent : 0
MarkerResponsePDU Received : 0
Unknown Packet Received : 0
Illegal Packet Received : 0

```

```

:

```

```

Console#show lacp 1 internal
Port Channel : 1
Admin Key    : 0
Oper Key     : 4
Timeout      : Long

```

```

-----
Member Port      : Eth 1/14
Periodic Time    : 30 seconds
System Priority   : 32768
Port Priority     : 32768
Admin Key        : 4
Oper Key         : 4
Admin State      : Defaulted, Aggregatable, Long Timeout, Active LACP
Oper State       : Distributing, Collecting, Synchronization, Aggregatable,
                  Long Timeout, Active LACP

```

```

:

```

```

Console#show lacp 1 neighbors
Port Channel : 1

```

```

-----
Member Port      : Eth 1/14
Partner Admin System ID : 32768, 00-00-00-00-00-00
Partner Oper System ID  : 32768, FC-0A-81-B7-C7-E0
Partner Admin Port ID   : 32768, 14
Partner Oper Port ID    : 32768, 14
Partner Admin Key      : 0
Partner Oper Key       : 4
Partner Admin State    : Defaulted, Distributing, Collecting,
                        Synchronization, Long Timeout, Passive LACP
Partner Oper State     : Distributing, Collecting, Synchronization,
                        Aggregatable, Long Timeout, Active LACP

```

```

:

```

```

Console#show lacp sysid
Port Channel      System Priority   System MAC Address
-----
1                 32768             00-30-F1-8F-2C-A7
2                 32768             00-30-F1-8F-2C-A7
3                 32768             00-30-F1-8F-2C-A7
4                 32768             00-30-F1-8F-2C-A7
5                 32768             00-30-F1-8F-2C-A7
6                 32768             00-30-F1-8F-2C-A7
7                 32768             00-30-F1-D4-73-A0
8                 32768             00-30-F1-D4-73-A0
9                 32768             00-30-F1-D4-73-A0
10                32768             00-30-F1-D4-73-A0

```

```

11          32768      00-30-F1-D4-73-A0
12          32768      00-30-F1-D4-73-A0
:

```

show port-channel load-balance This command shows the load-distribution method used on aggregated links.

Command Mode
Privileged Exec

Example

```

Console#show port-channel load-balance
Trunk Load Balance Mode: Destination IP address

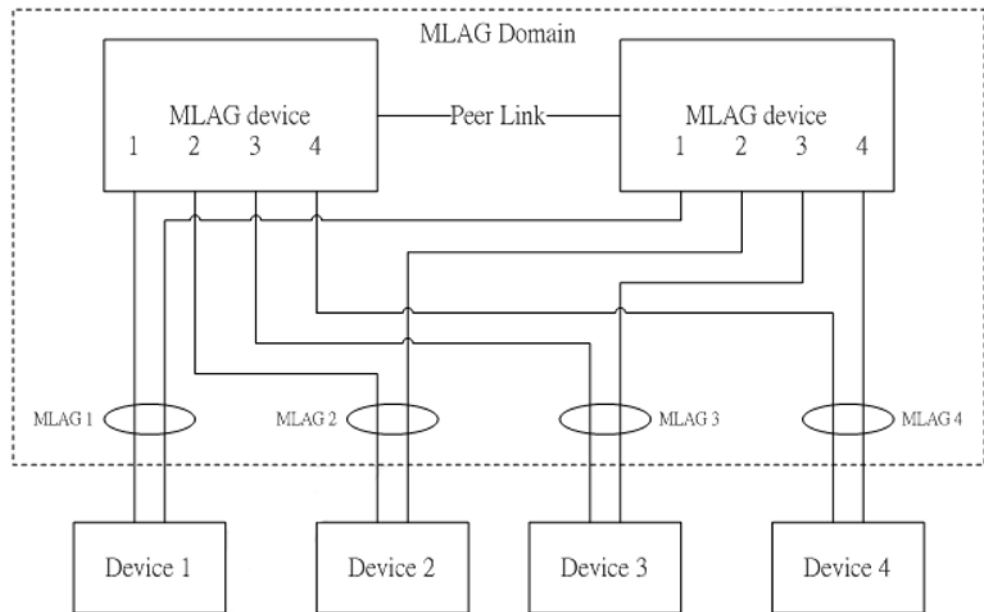
Console

```

MLAG Commands

A multi-chassis link aggregation group (MLAG) is a pair of links that terminate on two cooperating switches and appear as an ordinary link aggregation group (LAG). The cooperating switches are MLAG peer switches and communicate through an interface called a peer link. While the peer link’s primary purpose is exchanging MLAG control information between peer switches, but also carries data traffic from devices that are attached to only one MLAG peer and have no alternative path. An MLAG domain consists of the peer switches and the control links that connect these switches.

Figure 1: MLAG Domain Topology



MLAG Configuration

- MLAG must be enabled globally using the `mlag` command.
- The MLAG domain ID and peer link must be set using the `mlag domain peer-link` command.
- The MLAG ID, associated MLAG domain ID and MLAG member must be configured using the `mlag group member` command. The associated MLAG domain may be nonexistent, which causes MLAG to be inactive locally.
- For a port to be configured as MLAG peer link or member:
 - STP status of the port must be disabled.
 - LACP status of the port must be disabled.
 - The port must not be any type of traffic segmentation port.

MLAG Restrictions

- Traffic segmentation up-link/down-link port cannot be configured on an MLAG member or peer link.
- All actions which cause a port to become nonexistent, such as deleting a trunk port, adding a port to a trunk, or enabling LACP, are not allowed for an MLAG member or peer link. Also, a trunk member port is not allowed to be an MLAG member or peer link.
- STP cannot be enabled on a peer link or an MLAG member. An STP enabled port cannot be configured as a peer link or an MLAG member.

mlag This command enables MLAG globally on the switch. Use the **no** form to disable MLAG.

Syntax

```
[no] mlag
```

Default Setting

Enabled

Command Mode

Global Configuration

Example

```
Console(config)#mlag
Console(config)#
```

mlag domain peer-link This command configures an MLAG domain. Use the **no** form to remove the MLAG domain.

Syntax

mlag domain *domain-id* **peer-link** *interface*

no mlag domain *domain-id*

domain-id – Domain identifier. (Range: 1-16 characters)

interface

ethernet *unit/port*

unit - Unit identifier.

port - Port number.

port-channel *channel-id*

Command Usage

- There shall be one and only one peer link for a pair of MLAG devices in the same MLAG domain. (See [Figure 1.](#))
- The peer link can be a normal port or a static trunk.
- MAC learning is automatically disabled for the peer link.
- An MLAG domain is active if the domain ID and a peer link are set.

Command Mode

Global Configuration

Example

```
Console(config)#mlag domain 1 peer-link ethernet 1/1
Console(config)#
```

mlag group member This command configures MLAG domain member ports. Use the **no** form to remove member ports.

Syntax

mlag group *mlag-id* **domain** *domain-id* **member** *interface*

no domain *domain-id*

mlag-id – MLAG identifier. (Range: 1-1000)

domain-id – Domain identifier. (Range: 1-16 characters)

interface

ethernet *unit/port*

unit - Unit identifier.

port - Port number.

port-channel *channel-id*

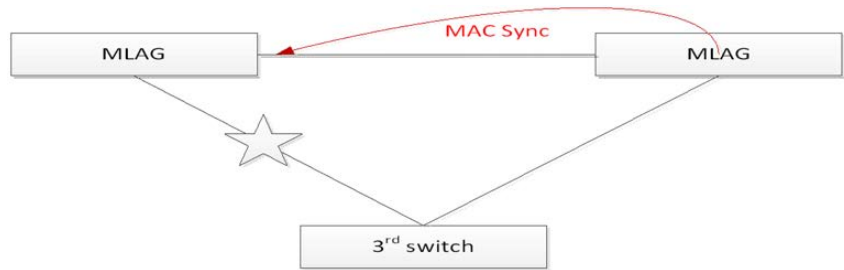
Command Mode

Global Configuration

Command Usage

- An MLAG domain can have two and only two MLAG devices. (See [Figure 1.](#))
- An MLAG domain may have many MLAGs.
- An MLAG can belong to one and only one MLAG domain.
- The associated MLAG domain may be nonexistent, which causes the MLAG to be inactive locally.
- There can be one and only one MLAG member for each MLAG on an MLAG device.
- The MLAG member can be a normal port or a static trunk.
- An MLAG member is active if the MLAG ID is set and the associated MLAG domain is active.
- An MLAG is formed when the peer MLAG members are both active.
- The following items apply when an MLAG is formed.
 - When an MLAG member is operationally up and the MLAG peer member is not operationally down, all traffic from the peer link can not be forwarded to the MLAG member.
 - When an MLAG member is operationally up and the MLAG peer member is operationally down, all traffic from the peer link can be forwarded to the MLAG member.
 - When an MLAG member is operationally up, all updates for learned MAC addresses on the MLAG peer member will be synced to the MLAG member automatically.
 - When an MLAG member is operationally down, all updates for learned MAC addresses on the MLAG peer member will be synced through the peer link automatically.

Figure 2: MLAG Peer Operation



- When the MLAG peer member is down or nonexistent, learned MAC addresses are synced through the peer link for the MLAG will be removed automatically.

Example

```
Console(config)#mlag group 1 domain 1 member ethernet 1/1
Console(config)#
```

show mlag This command shows MLAG configuration settings.

Command Mode

Privileged Exec

Example

```
Console#show mlag
Global Status : Enabled
Domain List   : 1,2
MLAG List    : 10,20,30-35,50
Console#
```

show mlag group The command shows MLAG group settings.

Command Mode

Privileged Exec

Syntax

```
show mlag group mlag-id
mlag-id – MLAG identifier. (Range: 1-1000)
```

Example

```
Console#show mlag group 1
```

```
Console#
```


show mlag domain The command shows MLAG domain settings.

Command Mode

Privileged Exec

Syntax

```
show mlag domain domain-id
```

domain-id – Domain identifier. (Range: 1-16 characters)

Example

```
Console#show mlag domain 1
Peer Link : Eth 1/1
MLAG List : 10,20,33-35
Console#
```

14

Port Mirroring Commands

Data can be mirrored from a local port on the same switch or from a remote port on another switch for analysis at the target port using software monitoring tools or a hardware probe. This switch supports the following mirroring modes.

Table 63: Port Mirroring Commands

Command	Function
Local Port Mirroring	Mirrors data to another port for analysis without affecting the data passing through or the performance of the monitored port
RSPAN Mirroring	Mirrors data from remote switches over a dedicated VLAN

Local Port Mirroring Commands

This section describes how to mirror traffic from a source port to a target port.

Table 64: Mirror Port Commands

Command	Function	Mode
<code>port monitor</code>	Configures a mirror session	IC
<code>show port monitor</code>	Shows the configuration for a mirror port	PE

port monitor This command configures a mirror session. Use the **no** form to clear a mirror session.

Syntax

```
port monitor {interface [rx | tx | both] | vlan vlan-id |  
mac-address mac-address | access-list acl-name}
```

```
no port monitor {interface | vlan vlan-id |  
mac-address mac-address | access-list acl-name}
```

interface

ethernet *unit/port* (source port)

unit - Unit identifier.

port - Port number.

rx - Mirror received packets.

tx - Mirror transmitted packets.

both - Mirror both received and transmitted packets.

vlan-id - VLAN ID (Range: 1-4094)

mac-address - MAC address in the form of xx-xx-xx-xx-xx-xx or xxxxxxxxxxxx.

acl-name – Name of the ACL. (Maximum length: 32 characters, no spaces or other special characters)

Default Setting

- No mirror session is defined.
- When enabled for an interface, default mirroring is for both received and transmitted packets.
- When enabled for a VLAN or a MAC address, mirroring is restricted to received packets.

Command Mode

Interface Configuration (Ethernet, destination port)

Command Usage

- You can mirror traffic from any source port to a destination port for real-time analysis. You can then attach a logic analyzer or RMON probe to the destination port and study the traffic crossing the source port in a completely unobtrusive manner.
- Set the destination port by specifying an Ethernet interface with the [interface](#) configuration command, and then use the [port monitor](#) command to specify the source of the traffic to mirror. Note that the destination port cannot be a trunk or trunk member port.
- When mirroring traffic from a port, the mirror port and monitor port speeds should match, otherwise traffic may be dropped from the monitor port. When mirroring traffic from a VLAN, traffic may also be dropped under heavy loads.
- When VLAN mirroring and port mirroring are both enabled, the target port can receive a mirrored packet twice; once from the source mirror port and again from the source mirror VLAN.
- When mirroring traffic from a MAC address, ingress traffic with the specified source address entering any port in the switch, other than the target port, will be mirrored to the destination port.
- Spanning Tree BPDU packets are not mirrored to the target port.
- When mirroring VLAN traffic or packets based on a source MAC address, the target port cannot be set to the same target port as that used for basic port mirroring.
- You can create multiple mirror sessions, but all sessions must share the same destination port.

- The destination port cannot be a trunk or trunk member port.
- ACL-based mirroring is only used for ingress traffic. To mirror an ACL, follow these steps:
 1. Use the **access-list** command to add an ACL.
 2. Use the **access-group** command to add a mirrored port to access control list.
 3. Use the **port monitor access-list** command to specify the destination port to which traffic matching the ACL will be mirrored.

Example

The following example configures the switch to mirror all packets from port 6 to 5:

```
Console(config)#interface ethernet 1/5
Console(config-if)#port monitor ethernet 1/6 both
Console(config-if)#
```

This example configures port 2 to monitor packets matching the MAC address 00-12-CF-XX-XX-XX received by port 1:

```
Console(config)#access-list mac m1
Console(config-mac-acl)#permit 00-12-cf-00-00-00 ff-ff-ff-00-00-00 any
Console(config-mac-acl)#exit
Console(config)#interface ethernet 1/1
Console(config-if)#mac access-group m1 in
Console(config-if)#interface ethernet 1/2
Console(config-if)#port monitor access-list m1
Console(config-if)#
```

show port monitor This command displays mirror information.

Syntax

show port monitor [*interface*]

interface - **ethernet** *unit/port* (source port)

unit - Unit identifier.

port - Port number.

vlan-id - VLAN ID (Range: 1-4094)

mac-address - MAC address in the form of xx-xx-xx-xx-xx-xx or xxxxxxxxxxxx.

acl-name - Name of the ACL. (Maximum length: 32 characters, no spaces or other special characters)

Default Setting

Shows all sessions.

Command Mode

Privileged Exec

Command Usage

This command displays the currently configured source port, destination port, and mirror mode (i.e., RX, TX, RX/TX).

Example

The following shows mirroring configured from port 6 to port 5:

```

Console(config)#interface ethernet 1/5
Console(config-if)#port monitor ethernet 1/6
Console(config-if)#end
Console#show port monitor
Port Mirroring
-----
Destination Port (listen port) : Eth 1/12
Source Port (monitored Port)  : Eth 1/ 1
Mode                           : RX/TX
Console#

```

RSPAN Mirroring Commands

Remote Switched Port Analyzer (RSPAN) allows you to mirror traffic from remote switches for analysis on a local destination port.

Table 65: RSPAN Commands

Command	Function	Mode
<code>vlan rspan</code>	Creates a VLAN dedicated to carrying RSPAN traffic	VC
<code>rspan source</code>	Specifies the source port and traffic type to be mirrored	GC
<code>rspan destination</code>	Specifies the destination port to monitor the mirrored traffic	GC
<code>rspan remote vlan</code>	Specifies the RSPAN VLAN, switch role (source, intermediate or destination), and the uplink ports	GC
<code>no rspan session</code>	Deletes a configured RSPAN session	GC
<code>show rspan</code>	Displays the configuration settings for an RSPAN session	PE

Configuration Guidelines

Take the following steps to configure an RSPAN session:

1. Use the `vlan rspan` command to configure a VLAN to use for RSPAN. (Default VLAN 1 and switch cluster VLAN 4093 are prohibited.)
2. Use the `rspan source` command to specify the interfaces and the traffic type (RX, TX or both) to be monitored.
3. Use the `rspan destination` command to specify the destination port for the traffic mirrored by an RSPAN session.
4. Use the `rspan remote vlan` command to specify the VLAN to be used for an RSPAN session, to specify the switch's role as a source, intermediate relay, or destination of the mirrored traffic, and to configure the uplink ports designated to carry this traffic.

RSPAN Limitations

The following limitations apply to the use of RSPAN on this switch:

- *RSPAN Ports* – Only ports can be configured as an RSPAN source, destination, or uplink; static and dynamic trunks are not allowed. A port can only be configured as one type of RSPAN interface – source, destination, or uplink. Also, note that the source port and destination port cannot be configured on the same switch.

Only 802.1Q trunk or hybrid (i.e., general use) ports can be configured as an RSPAN uplink or destination port – access ports are not allowed (see [switchport mode](#)).

- *Local/Remote Mirror* – The destination of a local mirror session (created with the `port monitor` command) cannot be used as the destination for RSPAN traffic.
- *Spanning Tree* – If the spanning tree is disabled, BPDUs will not be flooded onto the RSPAN VLAN.

MAC address learning is not supported on RSPAN uplink ports when RSPAN is enabled on the switch. Therefore, even if spanning tree is enabled after RSPAN has been configured, MAC address learning will still not be re-started on the RSPAN uplink ports.

- *IEEE 802.1X* – RSPAN and 802.1X are mutually exclusive functions. When 802.1X is enabled globally, RSPAN uplink ports cannot be configured, even though RSPAN source and destination ports can still be configured. When RSPAN uplink ports are enabled on the switch, 802.1X cannot be enabled globally.

RSPAN uplink ports cannot be configured to use IEEE 802.1X Port Authentication, but RSPAN source ports and destination ports can be configured to use it

- *Port Security* – If port security is enabled on any port, that port cannot be set as an RSPAN uplink port, even though it can still be configured as an RSPAN source or destination port. Also, when a port is configured as an RSPAN uplink port, port security cannot be enabled on that port.

rspan source Use this command to specify the source port and traffic type to be mirrored remotely. Use the **no** form to disable RSPAN on the specified port, or with a traffic type keyword to disable mirroring for the specified type.

Syntax

[no] **rspan session** *session-id* **source interface** *interface-list* [**rx** | **tx** | **both**]

session-id – A number identifying this RSPAN session. (Range: 1)

Three sessions are allowed, including both local and remote mirroring, using different VLANs for RSPAN sessions.

interface-list – One or more source ports. Use a hyphen to indicate a consecutive list of ports or a comma between non-consecutive ports.

ethernet *unit/port*

unit - Unit identifier.

port - Port number.

rx - Mirror received packets.

tx - Mirror transmitted packets.

both - Mirror both received and transmitted packets.

Default Setting

Both TX and RX traffic is mirrored

Command Mode

Global Configuration

Command Usage

- One or more source ports can be assigned to the same RSPAN session, either on the same switch or on different switches.
- Only ports can be configured as an RSPAN source – static and dynamic trunks are not allowed.
- Only 802.1Q trunk or hybrid (i.e., general use) ports can be configured as an RSPAN source port – access ports are not allowed (see [switchport mode](#)).
- The source port and destination port cannot be configured on the same switch.

Example

The following example configures the switch to mirror received packets from port 2 and 3:

```
Console(config)#rspan session 1 source interface ethernet 1/2
Console(config)#rspan session 1 source interface ethernet 1/3
Console(config)#
```

rspan destination Use this command to specify the destination port to monitor the mirrored traffic. Use the **no** form to disable RSPAN on the specified port.

Syntax

rspan session *session-id* **destination interface** *interface* [**tagged** | **untagged**]

no rspan session *session-id* **destination interface** *interface*

session-id – A number identifying this RSPAN session. (Range: 1)

Three sessions are allowed, including both local and remote mirroring, using different VLANs for RSPAN sessions.

interface

ethernet *unit/port*

unit - Unit identifier.

port - Port number.

tagged - Traffic exiting the destination port carries the RSPAN VLAN tag.

untagged - Traffic exiting the destination port is untagged.

Default Setting

Traffic exiting the destination port is untagged.

Command Mode

Global Configuration

Command Usage

- Only one destination port can be configured on the same switch per session, but a destination port can be configured on more than one switch for the same session.
- Only 802.1Q trunk or hybrid (i.e., general use) ports can be configured as an RSPAN destination port – access ports are not allowed (see [switchport mode](#)).
- Only ports can be configured as an RSPAN destination – static and dynamic trunks are not allowed.
- The source port and destination port cannot be configured on the same switch.

- A destination port can still send and receive switched traffic, and participate in any Layer 2 protocols to which it has been assigned.

Example

The following example configures port 4 to receive mirrored RSPAN traffic:

```
Console(config)#rspan session 1 destination interface ethernet 1/2
Console(config)#
```

rspan remote vlan Use this command to specify the RSPAN VLAN, switch role (source, intermediate or destination), and the uplink ports. Use the **no** form to disable the RSPAN on the specified VLAN.

Syntax

```
[no] rspan session session-id remote vlan vlan-id
      {source | intermediate | destination} uplink interface
```

session-id – A number identifying this RSPAN session. (Range: 1)

Three sessions are allowed, including both local and remote mirroring, using different VLANs for RSPAN sessions.

vlan-id - ID of configured RSPAN VLAN. (Range: 1-4094)

Use the [vlan rspan](#) command to reserve a VLAN for RSPAN mirroring before enabling RSPAN with this command.

source - Specifies this device as the source of remotely mirrored traffic.

intermediate - Specifies this device as an intermediate switch, transparently passing mirrored traffic from one or more sources to one or more destinations.

destination - Specifies this device as a switch configured with a destination port which is to receive mirrored traffic for this session.

uplink - A port configured to receive or transmit remotely mirrored traffic.

interface - **ethernet** *unit/port*

ethernet *unit/port*

unit - Unit identifier.

port - Port number.

Default Setting

None

Command Mode

Global Configuration

Command Usage

- Only 802.1Q trunk or hybrid (i.e., general use) ports can be configured as an RSPAN uplink port – access ports are not allowed (see [switchport mode](#)).
- Only one uplink port can be configured on a source switch, but there is no limitation on the number of uplink ports configured on an intermediate or destination switch.
- Only destination and uplink ports will be assigned by the switch as members of this VLAN. Ports cannot be manually assigned to an RSPAN VLAN with the [switchport allowed vlan](#) command. Nor can GVRP dynamically add port members to an RSPAN VLAN. Also, note that the [show vlan](#) command will not display any members for an RSPAN VLAN, but will only show configured RSPAN VLAN identifiers.

Example

The following example enables RSPAN on VLAN 2, specifies this device as an RSPAN destination switch, and the uplink interface as port 3:

```
Console(config)#rspan session 1 remote vlan 2 destination uplink ethernet 1/3  
Console(config)#
```

no rspan session Use this command to delete a configured RSPAN session.

Syntax

no rspan session *session-id*

session-id – A number identifying this RSPAN session. (Range: 1-3)

Three sessions are allowed, including both local and remote mirroring, using different VLANs for RSPAN sessions.

Command Mode

Global Configuration

Command Usage

The **no rspan session** command must be used to disable an RSPAN VLAN before it can be deleted from the VLAN database (see the [vlan](#) command).

Example

```
Console(config)#no rspan session 1  
Console(config)#
```

show rspan Use this command to displays the configuration settings for an RSPAN session.

Syntax

show rspan session [*session-id*]

session-id – A number identifying this RSPAN session. (Range: 1-3)

Three sessions are allowed, including both local and remote mirroring, using different VLANs for RSPAN sessions.

Command Mode

Privileged Exec

Example

```
Console#show rspan session
RSPAN Session ID           : 1
Source Ports (mirrored ports) : None
  RX Only                   : None
  TX Only                    : None
  BOTH                       : None
Destination Port (monitor port) : Eth 1/2
Destination Tagged Mode      : Untagged
Switch Role                  : Destination
RSPAN VLAN                   : 2
RSPAN Uplink Ports           : Eth 1/3
Operation Status             : Up
Console#
```

15

Congestion Control Commands

The switch can set the maximum upload or download data transfer rate for any port. It can control traffic storms by setting a maximum threshold for broadcast traffic or multicast traffic. It can also set bounding thresholds for broadcast and multicast storms which can be used to automatically trigger rate limits or to shut down a port.

Table 66: Congestion Control Commands

Command Group	Function
Rate Limiting	Sets the input and output rate limits for a port.
Storm Control	Sets the traffic storm threshold for each port.
Automatic Traffic Control Commands	Sets thresholds for broadcast and multicast storms which can be used to trigger configured rate limits or to shut down a port.

Rate Limit Commands

Rate limit commands allow the network manager to control the maximum rate for traffic transmitted or received on an interface. Rate limiting is configured on interfaces at the edge of a network to limit traffic into or out of the network. Packets that exceed the acceptable amount of traffic are dropped.

Rate limiting can be applied to individual ports or trunks. When an interface is configured with this feature, the traffic rate will be monitored by the hardware to verify conformity. Non-conforming traffic is dropped.

Table 67: Rate Limit Commands

Command	Function	Mode
rate-limit	Configures the maximum input or output rate for an interface	IC

rate-limit This command defines the rate limit for a specific interface. Use this command without specifying a rate to enable rate limiting. Use the **no** form to disable rate limiting.

Syntax

rate-limit {input | output} [*rate*]

no rate-limit {input | output}

input – Input rate for specified interface

output – Output rate for specified interface

rate – Maximum value in kbps.

(Range: 64 - 1,000,000 kbits per second for Gigabit Ethernet ports;

64 - 10,000,000 kbits per second for 10 Gigabit Ethernet ports;

64 - 25,000,000 kbits per second for 25 Gigabit Ethernet ports)

64 - 40,000,000 kbits per second for 40 Gigabit Ethernet ports;

64 - 100,000,000 kbits per second for 100 Gigabit Ethernet ports

Default Setting

Disabled

Command Mode

Interface Configuration (Ethernet, Port Channel)

Command Usage

Using both rate limiting and storm control on the same interface may lead to unexpected results. It is therefore not advisable to use both of these commands on the same interface.

Example

```
Console(config)#interface ethernet 1/1
Console(config-if)#rate-limit input 64
Console(config-if)#
```

Storm Control Commands

Storm control commands can be used to configure broadcast, multicast, and unknown unicast storm control thresholds. Traffic storms may occur when a device on your network is malfunctioning, or if application programs are not well designed or properly configured. If there is too much traffic on your network, performance can be severely degraded or everything can come to complete halt.

You can protect your network from traffic storms by setting a threshold for broadcast, multicast or unknown unicast traffic. Any packets exceeding the specified threshold will then be dropped.

Table 68: Rate Limit Commands

Command	Function	Mode
<code>switchport packet-rate</code>	Configures broadcast, multicast, and unknown unicast storm control thresholds	IC
<code>show interfaces switchport</code>	Displays the administrative and operational status of an interface	NE, PE

switchport packet-rate This command configures broadcast, multicast and unknown unicast storm control. Use the **no** form to restore the default setting.

Syntax

```
switchport {broadcast | multicast | unknown-unicast} packet-rate rate
```

```
no switchport {broadcast | multicast | unknown-unicast}
```

broadcast - Specifies storm control for broadcast traffic.

multicast - Specifies storm control for multicast traffic.

unknown-unicast - Specifies storm control for unknown unicast traffic.

rate - Threshold level as a rate; i.e. (Range: 500–148810000 pps)

Default Setting

Disabled

Command Mode

Interface Configuration (Ethernet, Port Channel)

Command Usage

- When traffic exceeds the threshold specified for broadcast and multicast or unknown unicast traffic, packets exceeding the threshold are dropped until the rate falls back down beneath the threshold.
- Using both rate limiting and storm control on the same interface may lead to unexpected results. It is therefore not advisable to use both of these commands on the same interface.

Example

The following shows how to configure broadcast storm control at 600 packets per second:

```
Console(config)#interface ethernet 1/5
Console(config-if)#switchport broadcast packet-rate 600
Console(config-if)#
```

Automatic Traffic Control Commands

Automatic Traffic Control (ATC) configures bounding thresholds for broadcast and multicast storms which can be used to trigger configured rate limits or to shut down a port.

Table 69: ATC Commands

Command	Function	Mode
<i>Threshold Commands</i>		
<code>auto-traffic-control apply-timer</code>	Sets the time at which to apply the control response after ingress traffic has exceeded the upper threshold	GC
<code>auto-traffic-control release-timer</code>	Sets the time at which to release the control response after ingress traffic has fallen beneath the lower threshold	GC
<code>auto-traffic-control*</code>	Enables automatic traffic control for broadcast or multicast storms	IC (Port)
<code>auto-traffic-control action</code>	Sets the control action to limit ingress traffic or shut down the offending port	IC (Port)
<code>auto-traffic-control alarm-clear-threshold</code>	Sets the lower threshold for ingress traffic beneath which a cleared storm control trap is sent	IC (Port)
<code>auto-traffic-control alarm-fire-threshold</code>	Sets the upper threshold for ingress traffic beyond which a storm control response is triggered after the apply timer expires	IC (Port)
<code>auto-traffic-control auto-control-release</code>	Automatically releases a control response	IC (Port)
<code>auto-traffic-control auto-control-release-shutdown</code>	Automatically releases a port shutdown response	IC (Port)
<code>auto-traffic-control control-release</code>	Manually releases a control response	PE
<i>ATC Trap Commands</i>		
<code>snmp-server enable port-traps atc broadcast-alarm-clear</code>	Sends a trap when broadcast traffic falls beneath the lower threshold after a storm control response has been triggered	IC (Port)
<code>snmp-server enable port-traps atc broadcast-alarm-fire</code>	Sends a trap when broadcast traffic exceeds the upper threshold for automatic storm control	IC (Port)
<code>snmp-server enable port-traps atc broadcast-control-apply</code>	Sends a trap when broadcast traffic exceeds the upper threshold for automatic storm control and the apply timer expires	IC (Port)

Table 69: ATC Commands (Continued)

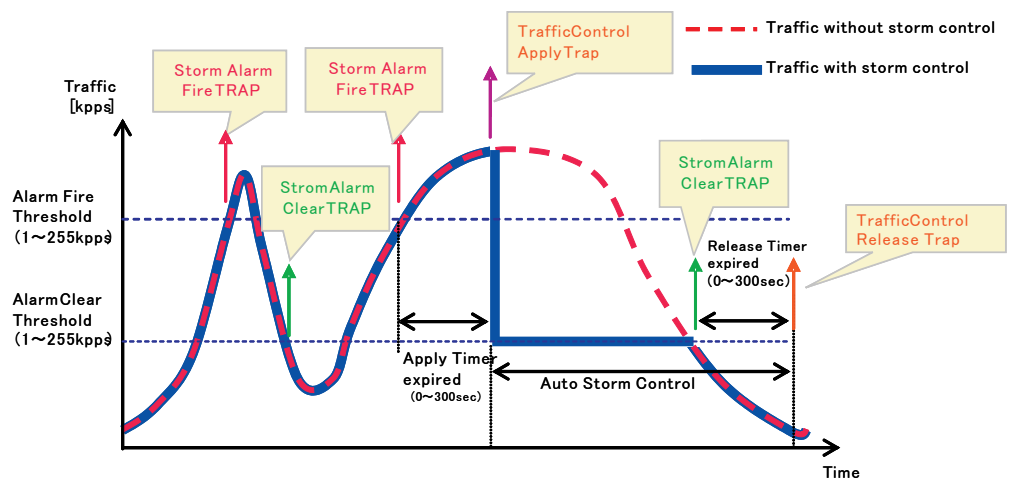
Command	Function	Mode
<code>snmp-server enable port-traps atc broadcast-control-release</code>	Sends a trap when broadcast traffic falls beneath the lower threshold after a storm control response has been triggered and the release timer expires	IC (Port)
<code>snmp-server enable port-traps atc multicast-alarm-clear</code>	Sends a trap when multicast traffic falls beneath the lower threshold after a storm control response has been triggered	IC (Port)
<code>snmp-server enable port-traps atc multicast-alarm-fire</code>	Sends a trap when multicast traffic exceeds the upper threshold for automatic storm control	IC (Port)
<code>snmp-server enable port-traps atc multicast-control-apply</code>	Sends a trap when multicast traffic exceeds the upper threshold for automatic storm control and the apply timer expires	IC (Port)
<code>snmp-server enable port-traps atc multicast-control-release</code>	Sends a trap when multicast traffic falls beneath the lower threshold after a storm control response has been triggered and the release timer expires	IC (Port)
<i>ATC Display Commands</i>		
<code>show auto-traffic-control</code>	Shows global configuration settings for automatic storm control	PE
<code>show auto-traffic-control interface</code>	Shows interface configuration settings and storm control status for the specified port	PE

* Enabling automatic storm control on a port will disable hardware-level storm control on the same port if configured by the `switchport packet-rate` command.

Usage Guidelines

ATC includes storm control for broadcast or multicast traffic. The control response for either of these traffic types is the same, as shown in the following diagrams.

Figure 3: Storm Control by Limiting the Traffic Rate

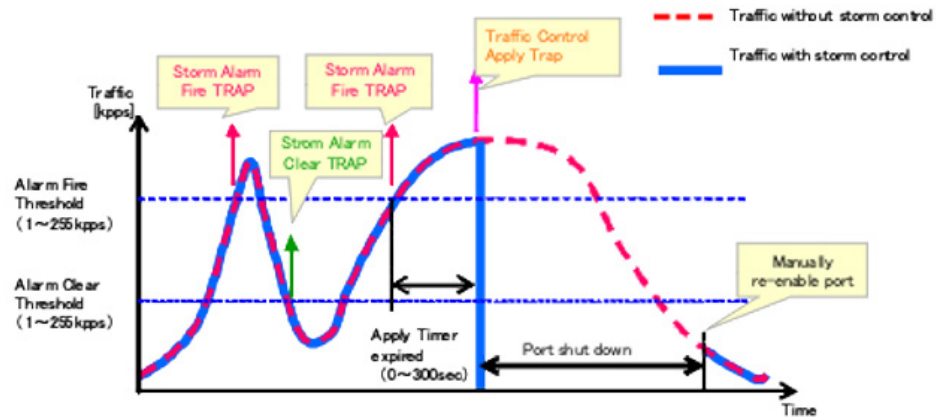


The key elements of this diagram are described below:

- Alarm Fire Threshold – The highest acceptable traffic rate. When ingress traffic exceeds the threshold, ATC sends a Storm Alarm Fire Trap and logs it.

- When traffic exceeds the alarm fire threshold and the apply timer expires, a traffic control response is applied, and a Traffic Control Apply Trap is sent and logged.
- Alarm Clear Threshold – The lower threshold beneath which a control response can be automatically terminated after the release timer expires. When ingress traffic falls below this threshold, ATC sends a Storm Alarm Clear Trap and logs it.
- When traffic falls below the alarm clear threshold after the release timer expires, traffic control (for rate limiting) will be stopped and a Traffic Control Release Trap sent and logged. Note that if the control action has shut down a port, it can only be manually re-enabled using the `auto-traffic-control control-release` command).
- The traffic control response of rate limiting can be released automatically or manually. The control response of shutting down a port can only be released manually.

Figure 4: Storm Control by Shutting Down a Port



The key elements of this diagram are the same as that described in the preceding diagram, except that automatic release of the control response is not provided. When traffic control is applied, you must manually re-enable the port.

Functional Limitations

Automatic storm control is a software level control function. Traffic storms can also be controlled at the hardware level using the `switchport packet-rate` command. However, only one of these control types can be applied to a port. Enabling automatic storm control on a port will disable hardware-level storm control on that port.

Threshold Commands

auto-traffic-control apply-timer This command sets the time at which to apply the control response after ingress traffic has exceeded the upper threshold. Use the **no** form to restore the default setting.

Syntax

auto-traffic-control {**broadcast** | **multicast**} **apply-timer** *seconds*

no auto-traffic-control {**broadcast** | **multicast**} **apply-timer**

broadcast - Specifies automatic storm control for broadcast traffic.

multicast - Specifies automatic storm control for multicast traffic.

seconds - The interval after the upper threshold has been exceeded at which to apply the control response. (Range: 5-300 seconds)

Default Setting

300 seconds

Command Mode

Global Configuration

Command Usage

After the apply timer expires, a control action may be triggered as specified by the [auto-traffic-control action](#) command and a trap message sent as specified by the [snmp-server enable port-traps atc broadcast-control-apply](#) command or [snmp-server enable port-traps atc multicast-control-apply](#) command.

Example

This example sets the apply timer to 200 seconds for all ports.

```
Console(config)#auto-traffic-control broadcast apply-timer 200
Console(config)#
```

auto-traffic-control release-timer This command sets the time at which to release the control response after ingress traffic has fallen beneath the lower threshold. Use the **no** form to restore the default setting.

Syntax

auto-traffic-control {**broadcast** | **multicast**} **release-timer** *seconds*

no auto-traffic-control {**broadcast** | **multicast**} **release-timer**

broadcast - Specifies automatic storm control for broadcast traffic.

multicast - Specifies automatic storm control for multicast traffic.

seconds - The time at which to release the control response after ingress traffic has fallen beneath the lower threshold. (Range: 5-900 seconds)

Default Setting

900 seconds

Command Mode

Global Configuration

Command Usage

This command sets the delay after which the control response can be terminated. The `auto-traffic-control auto-control-release` command must be used to enable or disable the automatic release of a control response of rate-limiting. To re-enable a port which has been shut down by automatic traffic control, you must manually re-enable the port using the `auto-traffic-control control-release` command.

Example

This example sets the release timer to 800 seconds for all ports.

```
Console(config)#auto-traffic-control broadcast release-timer 800
Console(config)#
```

auto-traffic-control This command enables automatic traffic control for broadcast or multicast storms. Use the **no** form to disable this feature.

Syntax

`[no] auto-traffic-control {broadcast | multicast}`

broadcast - Specifies automatic storm control for broadcast traffic.

multicast - Specifies automatic storm control for multicast traffic.

Default Setting

Disabled

Command Mode

Interface Configuration (Ethernet)

Command Usage

- Automatic storm control can be enabled for either broadcast or multicast traffic. It cannot be enabled for both of these traffic types at the same time.
- Automatic storm control is a software level control function. Traffic storms can also be controlled at the hardware level using the `switchport packet-rate` command. However, only one of these control types can be applied to a port. Enabling automatic storm control on a port will disable hardware-level storm control on that port.

Example

This example enables automatic storm control for broadcast traffic on port 1.

```
Console(config)#interface ethernet 1/1
Console(config-if)#auto-traffic-control broadcast
Console(config-if)#
```

auto-traffic-control action This command sets the control action to limit ingress traffic or shut down the offending port. Use the **no** form to restore the default setting.

Syntax

auto-traffic-control {**broadcast** | **multicast**} **action** {**rate-control** | **shutdown**}
no auto-traffic-control {**broadcast** | **multicast**} **action**

broadcast - Specifies automatic storm control for broadcast traffic.

multicast - Specifies automatic storm control for multicast traffic.

rate-control - If a control response is triggered, the rate of ingress traffic is limited based on the threshold configured by the [auto-traffic-control alarm-clear-threshold](#) command.

shutdown - If a control response is triggered, the port is administratively disabled. A port disabled by automatic traffic control can only be manually re-enabled.

Default Setting

rate-control

Command Mode

Interface Configuration (Ethernet)

Command Usage

- When the upper threshold is exceeded and the apply timer expires, a control response will be triggered based on this command.
- When the control response is set to rate limiting by this command, the rate limits are determined by the [auto-traffic-control alarm-clear-threshold](#) command.
- If the control response is to limit the rate of ingress traffic, it can be automatically terminated once the traffic rate has fallen beneath the lower threshold and the release timer has expired.
- If a port has been shut down by a control response, it will not be re-enabled by automatic traffic control. It can only be manually re-enabled using the [auto-traffic-control control-release](#) command.

Example

This example sets the control response for broadcast traffic on port 1.

```
Console(config)#interface ethernet 1/1
Console(config-if)#auto-traffic-control broadcast action shutdown
Console(config-if)#
```

auto-traffic-control alarm-clear- threshold

This command sets the lower threshold for ingress traffic beneath which a control response for rate limiting will be released after the Release Timer expires, if so configured by the [auto-traffic-control auto-control-release](#) command. Use the **no** form to restore the default setting.

Syntax

auto-traffic-control {**broadcast** | **multicast**} **alarm-clear-threshold** *threshold*

no auto-traffic-control {**broadcast** | **multicast**} **alarm-clear-threshold**

broadcast - Specifies automatic storm control for broadcast traffic.

multicast - Specifies automatic storm control for multicast traffic.

threshold - The lower threshold for ingress traffic beneath which a cleared storm control trap is sent. (Range: 1-255 kilo-packets per second)

Default Setting

128 kilo-packets per second

Command Mode

Interface Configuration (Ethernet)

Command Usage

- Once the traffic rate falls beneath the lower threshold, a trap message may be sent if configured by the [snmp-server enable port-traps atc broadcast-alarm-clear](#) command or [snmp-server enable port-traps atc multicast-alarm-clear](#) command.
- If rate limiting has been configured as a control response, it will be discontinued after the traffic rate has fallen beneath the lower threshold, and the release timer has expired. Note that if a port has been shut down by a control response, it will not be re-enabled by automatic traffic control. It can only be manually re-enabled using the [auto-traffic-control control-release](#) command.

Example

This example sets the clear threshold for automatic storm control for broadcast traffic on port 1.

```
Console(config)#interface ethernet 1/1
Console(config-if)#auto-traffic-control broadcast alarm-clear-threshold 155
Console(config-if)#
```

auto-traffic-control alarm-fire-threshold

This command sets the upper threshold for ingress traffic beyond which a storm control response is triggered after the apply timer expires. Use the **no** form to restore the default setting.

Syntax

auto-traffic-control {**broadcast** | **multicast**} **alarm-fire-threshold** *threshold*

no auto-traffic-control {**broadcast** | **multicast**} **alarm-fire-threshold**

broadcast - Specifies automatic storm control for broadcast traffic.

multicast - Specifies automatic storm control for multicast traffic.

threshold - The upper threshold for ingress traffic beyond which a storm control response is triggered after the apply timer expires. (Range: 1-255 kilo-packets per second)

Default Setting

128 kilo-packets per second

Command Mode

Interface Configuration (Ethernet)

Command Usage

- Once the upper threshold is exceeded, a trap message may be sent if configured by the [snmp-server enable port-traps atc broadcast-alarm-fire](#) command or [snmp-server enable port-traps atc multicast-alarm-fire](#) command.
- After the upper threshold is exceeded, the control timer must first expire as configured by the [auto-traffic-control apply-timer](#) command before a control response is triggered if configured by the [auto-traffic-control action](#) command.

Example

This example sets the trigger threshold for automatic storm control for broadcast traffic on port 1.

```
Console(config)#interface ethernet 1/1
Console(config-if)#auto-traffic-control broadcast alarm-fire-threshold 255
Console(config-if)#
```

auto-traffic-control auto-control-release This command automatically releases a control response of rate-limiting after the time specified in the [auto-traffic-control release-timer](#) command has expired.

Syntax

auto-traffic-control {**broadcast** | **multicast**} **auto-control-release**

broadcast - Specifies automatic storm control for broadcast traffic.

multicast - Specifies automatic storm control for multicast traffic.

Command Mode

Interface Configuration (Ethernet)

Command Usage

- This command can be used to automatically stop a control response of rate-limiting after the specified action has been triggered and the release timer has expired.
- To release a control response which has shut down a port after the specified action has been triggered and the release timer has expired, use the [auto-traffic-control control-release](#) command.

Example

```
Console(config-if)#auto-traffic-control broadcast auto-control-release
Console(config-if)#
```

auto-traffic-control auto-control-release-shutdown This command automatically releases a port shutdown response after the time specified in the [auto-traffic-control release-timer](#) command has expired.

Syntax

auto-traffic-control {**broadcast** | **multicast**} **auto-control-release-shutdown**

broadcast - Specifies automatic storm control for broadcast traffic.

multicast - Specifies automatic storm control for multicast traffic.

Command Mode

Interface Configuration (Ethernet)

Command Usage

This command can be used to automatically release a port shutdown response after the action has been triggered and the release timer has expired.

Example

```
Console(config-if)#auto-traffic-control broadcast auto-control-release-
shutdown
Console(config-if)#
```

auto-traffic-control control-release This command manually releases a control response for the specified Ethernet port.

Syntax

auto-traffic-control {**broadcast** | **multicast**} **control-release interface** *interface*

broadcast - Specifies automatic storm control for broadcast traffic.

multicast - Specifies automatic storm control for multicast traffic.

interface

ethernet *unit/port-list*

unit - Unit identifier.

port-list - Physical port number or list of port numbers. Separate nonconsecutive port numbers with a comma and no spaces; or use a hyphen to designate a range of port numbers.

Command Mode

Privileged Exec

Command Usage

This command can be used to manually stop a control response of rate-limiting or port shutdown any time after the specified action has been triggered.

Example

```
Console#auto-traffic-control broadcast control-release interface ethernet 1/1  
Console#
```

SNMP Trap Commands

snmp-server enable port-traps atc broadcast-alarm-clear This command sends a trap when broadcast traffic falls beneath the lower threshold after a storm control response has been triggered. Use the **no** form to disable this trap.

Syntax

[no] **snmp-server enable port-traps atc broadcast-alarm-clear**

Default Setting

Disabled

Command Mode

Interface Configuration (Ethernet)

Example

```
Console(config)#interface ethernet 1/1
Console(config-if)#snmp-server enable port-traps atc broadcast-alarm-clear
Console(config-if)#
```

snmp-server enable port-traps atc broadcast-alarm-fire

This command sends a trap when broadcast traffic exceeds the upper threshold for automatic storm control. Use the **no** form to disable this trap.

Syntax

[no] snmp-server enable port-traps atc broadcast-alarm-fire

Default Setting

Disabled

Command Mode

Interface Configuration (Ethernet)

Example

```
Console(config)#interface ethernet 1/1
Console(config-if)#snmp-server enable port-traps atc broadcast-alarm-fire
Console(config-if)#
```

snmp-server enable port-traps atc broadcast-control- apply

This command sends a trap when broadcast traffic exceeds the upper threshold for automatic storm control and the apply timer expires. Use the **no** form to disable this trap.

Syntax

[no] snmp-server enable port-traps atc broadcast-control-apply

Default Setting

Disabled

Command Mode

Interface Configuration (Ethernet)

Example

```
Console(config)#interface ethernet 1/1
Console(config-if)#snmp-server enable port-traps atc broadcast-control-apply
Console(config-if)#
```

snmp-server enable port-traps atc broadcast-control-release This command sends a trap when broadcast traffic falls beneath the lower threshold after a storm control response has been triggered and the release timer expires. Use the **no** form to disable this trap.

Syntax

```
[no] snmp-server enable port-traps atc broadcast-control-release
```

Default Setting

Disabled

Command Mode

Interface Configuration (Ethernet)

Example

```
Console(config)#interface ethernet 1/1
Console(config-if)#snmp-server enable port-traps atc broadcast-control-release
Console(config-if)#
```

snmp-server enable port-traps atc multicast-alarm-clear This command sends a trap when multicast traffic falls beneath the lower threshold after a storm control response has been triggered. Use the **no** form to disable this trap.

Syntax

```
[no] snmp-server enable port-traps atc multicast-alarm-clear
```

Default Setting

Disabled

Command Mode

Interface Configuration (Ethernet)

Example

```
Console(config)#interface ethernet 1/1
Console(config-if)#snmp-server enable port-traps atc multicast-alarm-clear
Console(config-if)#
```

snmp-server enable port-traps atc multicast-alarm-fire This command sends a trap when multicast traffic exceeds the upper threshold for automatic storm control. Use the **no** form to disable this trap.

Syntax

```
[no] snmp-server enable port-traps atc multicast-alarm-fire
```

Default Setting

Disabled

Command Mode

Interface Configuration (Ethernet)

Example

```
Console(config)#interface ethernet 1/1
Console(config-if)#snmp-server enable port-traps atc multicast-alarm-fire
Console(config-if)#
```

snmp-server enable port-traps atc multicast-control- apply

This command sends a trap when multicast traffic exceeds the upper threshold for automatic storm control and the apply timer expires. Use the **no** form to disable this trap.

Syntax

```
[no] snmp-server enable port-traps atc multicast-control-apply
```

Default Setting

Disabled

Command Mode

Interface Configuration (Ethernet)

Example

```
Console(config)#interface ethernet 1/1
Console(config-if)#snmp-server enable port-traps atc multicast-control-apply
Console(config-if)#
```

snmp-server enable port-traps atc multicast-control- release

This command sends a trap when multicast traffic falls beneath the lower threshold after a storm control response has been triggered and the release timer expires. Use the **no** form to disable this trap.

Syntax

```
[no] snmp-server enable port-traps atc  
multicast-control-release
```

Default Setting

Disabled

Command Mode

Interface Configuration (Ethernet)

Example

```
Console(config)#interface ethernet 1/1
Console(config-if)#snmp-server enable port-traps atc multicast-control-
release
Console(config-if)#
```

ATC Display Commands

show auto-traffic-control This command shows global configuration settings for automatic storm control.

Command Mode

Privileged Exec

Example

```
Console#show auto-traffic-control

Storm-control: Broadcast
  Apply-timer (sec)   : 300
  release-timer (sec) : 900

Storm-control: Multicast
  Apply-timer(sec)   : 300
  release-timer(sec) : 900
Console#
```

show auto-traffic-control interface This command shows interface configuration settings and storm control status for the specified port.

Syntax

show auto-traffic-control interface [interface]

interface

ethernet *unit/port*

unit - Unit identifier.

port - Port number.

Command Mode

Privileged Exec

Example

```
Console#show auto-traffic-control interface ethernet 1/1
Eth 1/1 Information
Eth 1/1 Information
-----
Storm Control           : Broadcast           Multicast
State                   : Disabled            Disabled
```

```
Action : Rate Control Rate Control
Auto Release Control : Disabled Disabled
Auto Release Control-Shutdown : Disabled Disabled
Alarm Fire Threshold (kpps) : 128 128
Alarm Clear Threshold (kpps) : 128 128
Trap Storm Fire : Disabled Disabled
Trap Storm Clear : Disabled Disabled
Trap Traffic Apply : Disabled Disabled
Trap Traffic Release : Disabled Disabled
```

Console#

16

Loopback Detection Commands

The switch can be configured to detect general loopback conditions caused by hardware problems or faulty protocol settings. When enabled, a control frame is transmitted on the participating ports, and the switch monitors inbound traffic to see if the frame is looped back.

Table 70: Loopback Detection Commands

Command	Function	Mode
<code>loopback-detection</code>	Enables loopback detection globally on the switch or on a specified interface	GC, IC
<code>loopback-detection action</code>	Specifies the response to take for a detected loopback condition	GC
<code>loopback-detection recover-time</code>	Specifies the interval to wait before releasing an interface from shutdown state	GC
<code>loopback-detection transmit-interval</code>	Specifies the interval at which to transmit loopback detection control frames	GC
<code>loopback detection trap</code>	Configures the switch to send a trap when a loopback condition is detected or the switch recover from a loopback	GC
<code>loopback-detection release</code>	Manually releases all interfaces currently shut down by the loopback detection feature	PE
<code>show loopback-detection</code>	Shows loopback detection configuration settings for the switch or for a specified interface	PE

Usage Guidelines

- The default settings for the control frame transmit interval and recover time may be adjusted to improve performance for your specific environment. The shutdown mode may also need to be changed once you determine what kind of packets are being looped back.
- When a loopback event is detected on an interface or when an interface is released from a shutdown state caused by a loopback event, a trap message is sent and the event recorded in the system log.
- Loopback detection must be enabled both globally and on an interface for loopback detection to take effect.

loopback-detection This command enables loopback detection globally on the switch or on a specified interface. Use the **no** form to disable loopback detection.

Syntax

```
[no] loopback-detection
```

Default Setting

Enabled

Command Mode

Global Configuration

Interface Configuration (Ethernet, Port Channel)

Command Usage

- Loopback detection must be enabled globally for the switch by this command and enabled for a specific interface for this function to take effect.
- Loopback detection cannot be enabled globally if ingress filtering of any port whose loopback detection is enabled cannot be enabled.
- Loopback detection cannot be enabled for a port if ingress filtering cannot be enabled.
- When loopback detection is enabled globally and for a port, the ingress filtering of the port is automatically enabled. The ingress filtering setting is restored after loopback detection is disabled globally or for the port.

Example

This example enables general loopback detection on the switch, disables loopback detection provided for the spanning tree protocol on port 1, and then enables general loopback detection for that port.

```
Console(config)#loopback-detection
Console(config)#interface ethernet 1/1
Console(config-if)#loopback-detection
Console(config)#
```

loopback-detection action This command specifies the protective action the switch takes when a loopback condition is detected. Use the **no** form to restore the default setting.

Syntax

```
loopback-detection action {none | shutdown}
```

```
no loopback-detection action
```

none - No action is taken.

shutdown - Shuts down the interface.

Default Setting

Shut down

Command Mode

Global Configuration

Command Usage

- When a port receives a control frame sent by itself, this means that the port is in a looped state, and the VLAN in the frame payload is also in looped state. The looped port is therefore shut down.
- Use the `loopback-detection recover-time` command to set the time to wait before re-enabling an interface shut down by the loopback detection process.

Example

This example sets the loopback detection mode to shut down user traffic.

```
Console(config)#loopback-detection action shutdown
Console(config)#
```

loopback-detection recover-time This command specifies the interval to wait before the switch automatically releases an interface from shutdown state. Use the **no** form to restore the default setting.

Syntax

`loopback-detection recover-time seconds`

`no loopback-detection recover-time`

seconds - Recovery time from shutdown state. (Range: 60-1,000,000 seconds, or 0 to disable automatic recovery)

Default Setting

60 seconds

Command Mode

Global Configuration

Command Usage

If the recovery time is set to zero, all ports placed in shutdown state can be restored to operation using the `loopback-detection release` command. To restore a specific port, use the `no shutdown` command.

Example

```
Console(config)#loopback-detection recover-time 120
Console(config-if)#
```


loopback-detection transmit-interval This command specifies the interval at which to transmit loopback detection control frames. Use the **no** form to restore the default setting.

Syntax

loopback-detection transmit-interval *seconds*

no loopback-detection transmit-interval

seconds - The transmission interval for loopback detection control frames.
(Range: 1-32767 seconds)

Default Setting

10 seconds

Command Mode

Global Configuration

Example

```
Console(config)#loopback-detection transmit-interval 60
Console(config)#
```

loopback detection trap This command sends a trap when a loopback condition is detected, or when the switch recovers from a loopback condition. Use the **no** form to restore the default state.

Syntax

loopback-detection trap [**both** | **detect** | **none** | **recover**]

no loopback-detection trap

both - Sends an SNMP trap message when a loopback condition is detected, or when the switch recovers from a loopback condition.

detect - Sends an SNMP trap message when a loopback condition is detected.

none - Does not send an SNMP trap for loopback detection or recovery.

recover - Sends an SNMP trap message when the switch recovers from a loopback condition.

Default Setting

None

Command Mode

Global Configuration

Command Usage

Refer to the [loopback-detection recover-time](#) command for information on conditions which constitute loopback recovery.

Example

```
Console(config)#loopback-detection trap both
Console(config)#
```

loopback-detection release This command releases all interfaces currently shut down by the loopback detection feature.

Syntax

loopback-detection release

Command Mode

Privileged Exec

Example

```
Console#loopback-detection release
Console#
```

show loopback-detection This command shows loopback detection configuration settings for the switch or for a specified interface.

Syntax

show loopback-detection [*interface*]

interface

ethernet *unit/port*

unit - Unit identifier.

port - Port number.

port-channel *channel-id*

channel-id - Port-channel interface number.

Command Mode

Privileged Exec

Command Usage

Although global action may be set to None, this command will still display the configured Detection Port Admin State and Information Oper State.

Example

```
Console#show loopback-detection
Loopback Detection Global Information
Global Status      : Enabled
Transmit Interval : 10
```

```
Recover Time      : 60
Action           : Shutdown
Trap             : None
Loopback Detection Port Information
Port      Admin State Oper State
-----
Eth 1/ 1  Enabled     Normal
Eth 1/ 2  Disabled    Normal
Eth 1/ 3  Disabled    Normal
:
Console#show loopback-detection ethernet 1/1
Loopback Detection Information of Eth 1/1
Admin State : Enabled
Oper State  : Normal
Looped VLAN : None
Console#
```

17

UniDirectional Link Detection Commands

The switch can be configured to detect and disable unidirectional Ethernet fiber or copper links. When enabled, the protocol advertises a port's identity and learns about its neighbors on a specific LAN segment; and stores information about its neighbors in a cache. It can also send out a train of echo messages under circumstances that require fast notifications or re-synchronization of the cached information.

Table 71: UniDirectional Link Detection Commands

Command	Function	Mode
<code>udld detection-interval</code>	Sets the amount of time the switch remains in detection state after discovering a neighbor	GC
<code>udld message-interval</code>	Configures the message interval between UDLD probe messages	GC
<code>udld recovery</code>	Automatically recovers from UDLD disabled port state after a period specified by the <code>udld recovery-interval</code> command	GC
<code>udld recovery-interval</code>	Specifies the period after which to automatically recover from UDLD disabled port state	GC
<code>udld aggressive</code>	Sets UDLD to aggressive mode on an interface	IC
<code>udld port</code>	Enables UDLD on a port	IC
<code>show udld</code>	Shows UDLD configuration settings and operational status	PE

udld detection-interval This command sets the amount of time the switch remains in detection state after discovering a neighbor. Use the **no** form to restore the default setting.

Syntax

`udld detection-interval` *detection-interval*

`no udld detection-interval`

detection-interval – The amount of time the switch remains in detection state after discovering a neighbor through UDLD. (Range: 5-255 seconds)

Default Setting

5 seconds

Command Mode

Global Configuration

Command Usage

When a neighbor device is discovered by UDLD, the switch enters “detection state” and remains in this state for specified detection-interval. After the detection-interval expires, the switch tries to decide whether or the link is unidirectional based on the information collected during “detection state.”

Example

```
Console(config)#udld detection-interval 10
Console(config)#
```

udld message-interval

This command configures the message interval between UDLD probe messages for ports in the advertisement phase and determined to be bidirectional. Use the **no** form to restore the default setting.

Syntax

udld message-interval *message-interval*

no udld message-interval

message-interval – The interval at which a port sends UDLD probe messages after linkup or detection phases. (Range: 7-90 seconds)

Default Setting

15 seconds

Command Mode

Global Configuration

Command Usage

During the detection phase, messages are exchanged at the maximum rate of one per second. After that, if the protocol reaches a stable state and determines that the link is bidirectional, the message interval is increased to a configurable value based on a curve known as $M1(t)$, a time-based function described in RFC 5171.

If the link is deemed anything other than bidirectional at the end of the detection phase, this curve becomes a flat line with a fixed value of M_{fast} (7 seconds).

If the link is instead deemed bidirectional, the curve will use M_{fast} for the first four subsequent message transmissions and then transition to an M_{slow} value for all other steady-state transmissions. M_{slow} is the value configured by this command.

Example

This example sets the message interval to 10 seconds.

```
Console(config)#udld message-interval 10
Console(config)#
```

udld recovery This command configures the switch to automatically recover from UDLD disabled port state after a period specified by the **udld recovery-interval** command. Use the **no** form to disable this feature.

Syntax

```
[no] udld recovery
```

Default Setting

Disabled

Command Mode

Global Configuration

Command Usage

When automatic recovery state is changed by this command, any ports shut down by UDLD will be reset.

Example

```
Console(config)#udld recovery
Console(config)#
```

udld recovery-interval This command specifies the period after which to automatically recover from UDLD disabled port state. Use the **no** form to restore the default setting.

```
udld recovery-interval recovery-interval
```

```
no udld recovery-interval
```

recovery-interval – The interval after which a port is reset after being placed in UDLD disabled state. (Range: 30-86400 seconds)

Default Setting

300 seconds

Command Mode

Global Configuration

Command Usage

- This command is only applicable when automatic recovery has been enabled with the **udld recovery** command.
- When the recovery interval is changed by this command, any ports shut down by UDLD will be reset.

Example

```
Console(config)#udld recovery-interval 30
Console(config)#
```

udld aggressive This command sets UDLD to aggressive mode on an interface. Use the **no** form to restore the default setting.

Syntax

[no] **udld aggressive**

Default Setting

Disabled

Command Mode

Interface Configuration (Ethernet Port)

Command Usage

UDLD can function in two modes: normal mode and aggressive mode.

- In normal mode, determination of link status at the end of the detection process is always based on information received in UDLD messages: whether that's information about the exchange of proper neighbor identification or the absence of such. Hence, albeit bound by a timer, normal mode determinations are always based on gleaned information, and as such are "event-based." If no such information can be obtained (e.g., because of a bidirectional loss of connectivity), UDLD follows a conservative approach to minimize false positives during the detection process and deems a port to be in "undetermined" state. In other words, normal mode will shut down a port only if it can explicitly determine that the associated link is faulty for an extended period of time.
- In aggressive mode, UDLD will also shut down a port if it loses bidirectional connectivity with the neighbor for the same extended period of time (as that mentioned above for normal mode) and subsequently fails repeated last-resort attempts to re-establish communication with the other end of the link. This mode of operation assumes that loss of communication with the neighbor is a meaningful network event in itself, and a symptom of a serious connectivity problem. Because this type of detection can be event-less, and lack of information cannot always be associated to an actual malfunction of the link, this mode is recommended only in certain scenarios (typically only on point-to-point links where no communication failure between two neighbors is admissible).

Example

This example enables UDLD aggressive mode on port 1.

```
Console(config)#interface ethernet 1/1
Console(config-if)#udld aggressive
Console(config-if)#
```

udld port This command enables UDLD on a port. Use the **no** form to disable UDLD on an interface.

Syntax

[no] udld port

Default Setting

Disabled

Command Mode

Interface Configuration (Ethernet Port)

Command Usage

- UDLD requires that all the devices connected to the same LAN segment be running the protocol in order for a potential mis-configuration to be detected and for prompt corrective action to be taken.
- Whenever a UDLD device learns about a new neighbor or receives a resynchronization request from an out-of-synch neighbor, it (re)starts the detection process on its side of the connection and sends N echo messages in reply. (This mechanism implicitly assumes that N packets are sufficient to get through a link and reach the other end, even though some of them might get dropped during the transmission.)

Since this behavior must be the same on all the neighbors, the sender of the echoes expects to receive an echo in reply. If the detection process ends without the proper echo information being received, the link is considered to be unidirectional.

Example

```
Console(config)#interface ethernet 1/1
Console(config-if)#udld port
Console(config-if)#
```


show udd This command shows UDLD configuration settings and operational status for the switch or for a specified interface.

Syntax

```
show udd [interface interface]
```

interface

ethernet *unit/port*

unit - Unit identifier.

port - Port number.

Command Mode

Privileged Exec

Example

```

Console#show udd
Message Interval : 15
Detection Interval : 5 seconds
Recovery : Disabled
Recovery Interval : 300 seconds

Interface UDLD      Mode      Oper State      Msg Invl
                  Port State
-----
Eth 1/ 1  Disabled Normal      Disabled
                                                7 s
                                                Unknown
                                                5 s
Eth 1/ 2  Disabled Normal      Disabled
                                                7 s
                                                Unknown
                                                5 s
Eth 1/ 3  Disabled Normal      Disabled
                                                7 s
                                                Unknown
                                                5 s
Eth 1/ 4  Disabled Normal      Disabled
                                                7 s
                                                Unknown
                                                5 s
Eth 1/ 5  Disabled Normal      Disabled
                                                7 s
                                                Unknown
                                                5 s

:
Console#show udd interface ethernet 1/1
Interface UDLD      Mode      Oper State      Msg Invl
                  Port State
-----
Eth 1/ 1  Disabled Normal      Disabled
                                                7 s
                                                Unknown
                                                5 s

Console#

```

18

Address Table Commands

These commands are used to configure the address table for filtering specified addresses, displaying current entries, clearing the table, or setting the aging time.

Table 72: Address Table Commands

Command	Function	Mode
<code>mac-address-table aging-time</code>	Sets the aging time of the address table	GC
<code>mac-address-table hash-lookup-depth</code>	Sets the hash lookup depth of MAC address table	GC
<code>mac-address-table static</code>	Maps a static address to a port in a VLAN	GC
<code>clear mac-address-table dynamic</code>	Removes any learned entries from the forwarding database	PE
<code>show mac-address-table</code>	Displays entries in the bridge-forwarding database	PE
<code>show mac-address-table aging-time</code>	Shows the aging time for the address table	PE
<code>show mac-address-table count</code>	Shows the number of MAC addresses used and the number of available MAC addresses	PE
<code>show mac-address-table hash-lookup-depth</code>	Shows the hash lookup depth of MAC address table	PE

mac-address-table aging-time This command sets the aging time for entries in the address table. Use the **no** form to restore the default aging time.

Syntax

`mac-address-table aging-time seconds`

`no mac-address-table aging-time`

seconds - Aging time. (Range: 6-7200 seconds; 0 to disable aging)

Default Setting

300 seconds

Command Mode

Global Configuration

Command Usage

The aging time is used to age out dynamically learned forwarding information.

Example

```
Console(config)#mac-address-table aging-time 100
Console(config)#
```

mac-address-table hash-lookup-depth This command sets the hash lookup depth used when searching the MAC address table. Use the **no** form to restore the default setting.

Syntax

mac-address-table hash-lookup-depth *depth*

no mac-address-table hash-lookup-depth

depth - The depth used in the hash lookup process. (Range: 4-32, in multiples of 4)

Default Setting

4

Command Mode

Global Configuration

Command Usage

Using the default depth of 4, MAC address collisions tend to increase once more than 8K entries have been learned. Setting the depth to a larger value reduces the occurrence of hash collisions, but can also decrease forwarding performance.

Example

```
Console(config)#mac-address-table hash-lookup-depth 5
Console(config)#
```

mac-address-table static This command maps a static address to a destination port in a VLAN. Use the **no** form to remove an address.

Syntax

mac-address-table static *mac-address* **interface** *interface* **vlan** *vlan-id* [*action*]

no mac-address-table static *mac-address* **vlan** *vlan-id*

mac-address - MAC address.

interface

ethernet *unit/port*

unit - Unit identifier.

port - Port number.

port-channel *channel-id*

vlan-id - VLAN ID (Range: 1-4094)

action -

delete-on-reset - Assignment lasts until the switch is reset.

permanent - Assignment is permanent.

Default Setting

No static addresses are defined. The default lifetime is **permanent**.

Command Mode

Global Configuration

Command Usage

The static address for a host device can be assigned to a specific port within a specific VLAN. Use this command to add static addresses to the MAC Address Table. Static addresses have the following characteristics:

- Static addresses will not be removed from the address table when a given interface link is down.
- Static addresses are bound to the assigned interface and will not be moved. When a static address is seen on another interface, the address will be ignored and will not be written to the address table.
- A static address cannot be learned on another port until the address is removed with the **no** form of this command.

Example

```
Console(config)#mac-address-table static 00-e0-29-94-34-de interface ethernet
1/1 vlan 1 delete-on-reset
Console(config)#
```

clear mac-address-table dynamic This command removes any learned entries from the forwarding database.

Syntax

```
clear mac-address-table dynamic [[all] | [address mac-address [mask]] |
[interface interface] | [vlan vlan-id]]
```

all - all learned entries

address *mac-address* - MAC address.

mask - Bits to match in the address.

interface *interface*

ethernet *unit/port*

unit - Unit identifier.

port - Port number.

port-channel *channel-id*

vlan *vlan-id* - VLAN ID (Range: 1-4094)

Default Setting

None

Command Mode

Privileged Exec

Example

```
Console#clear mac-address-table dynamic all
Console#
```

show mac-address-table This command shows classes of entries in the bridge-forwarding database.

Syntax

```
show mac-address-table [address mac-address [mask]] [interface interface]
[vlan vlan-id] [sort {address | vlan | interface}]
```

mac-address - MAC address.

mask - Bits to match in the address.

interface

ethernet *unit/port*

unit - Unit identifier.

port - Port number.

port-channel *channel-id*

vlan-id - VLAN ID (Range: 1-4094)

sort - Sort by address, vlan or interface.

Default Setting

None

Command Mode

Privileged Exec

Command Usage

- The MAC Address Table contains the MAC addresses associated with each interface. Note that the Type field may include the following types:
 - Learn - Dynamic address entries

- Config - Static entry
- Security - Port Security
- The mask should be hexadecimal numbers (representing an equivalent bit mask) in the form xx-xx-xx-xx-xx-xx that is applied to the specified MAC address. Enter hexadecimal numbers, where an equivalent binary bit “0” means to match a bit and “1” means to ignore a bit. For example, a mask of 00-00-00-00-00-00 means an exact match, and a mask of FF-FF-FF-FF-FF-FF means “any.”
- The maximum number of address entries is 16K.

Example

```

Console#show mac-address-table
Interface MAC Address          VLAN Type          Life Time
-----
CPU      00-E0-00-00-00-01          1 CPU      Delete on Reset
Eth 1/ 1 00-E0-0C-10-90-09    1 Learn      Delete on Timeout
Eth 1/ 1 00-E0-29-94-34-64    1 Learn      Delete on Timeout
Console#

```

show mac-address-table aging-time

This command shows the aging time for entries in the address table.

Default Setting

None

Command Mode

Privileged Exec

Example

```

Console#show mac-address-table aging-time
Aging Status : Enabled
Aging Time: 300 sec.
Console#

```

show mac-address-table hash-algorithm

This command shows the hash table algorithm configured and activated by the switch.



Note: The switch must be rebooted for the activated hash algorithm to become the same as the configured hash algorithm.

Default Setting

None

Command Mode

Privileged Exec

Example

```

Console#show mac-address-table hash-algorithm
Configured Hash Algorithm: 0
Activated Hash Algorithm: 1
Console#

```

show mac-address-table count This command shows the number of MAC addresses used and the number of available MAC addresses for the overall system or for an interface.

Syntax

```

show mac-address-table count [interface interface | vlan vlan-id]
                               interface
                               ethernet unit/port
                                   unit - Unit identifier.
                                   port - Port number.
                               port-channel channel-id
                               vlan vlan-id (Range: 1-4094)

```

Default Setting

None

Command Mode

Privileged Exec

Example

```

Console#show mac-address-table count interface ethernet 1/1

MAC Entries for Eth 1/1
Total Address Count      :0
Static Address Count     :0
Dynamic Address Count    :0
Console#show mac-address-table count

Compute the number of MAC Address...

Maximum number of MAC Address which can be created in the system:
Total Number of MAC Address      : 16384
Number of Static MAC Address     : 1024

Current number of entries which have been created in the system:
Total Number of MAC Address      : 3
Number of Static MAC Address     : 1
Number of Dynamic MAC Address    : 2
Console#

```

show mac-address-table hash-lookup-depth This command shows the hash lookup depth used when searching the MAC address table.

Syntax

```
show mac-address-table hash-lookup-depth
```

Command Mode

Privileged Exec

Example

```
Console#show mac-address-table hash-lookup-depth
Configured Hash Lookup Depth: 4
Activated Hash Lookup Depth: 4
Console#
```


19

Smart Pair Commands

Smart Pair Concept

A smart pair consists of two ports which are paired to provide layer 2 link redundancy. The pair consists of a primary port and a backup port. All traffic is forwarded through the primary port and the backup port will be set to standby. If the primary port link goes down, the backup port is activated and all traffic is forwarded through it. If the primary port recovers, all traffic will again be forwarded through the primary port after a configured delay. (wait-to-restore delay).

These commands are used to configure the smart pair ports, set the wait to restore delay, show the smart pairs configured on the switch and restore traffic manually to a configured smart pair.

Table 73: Address Table Commands

Command	Function	Mode
<code>smart-pair</code>	Creates a new Smart Pair with an ID and enters into smart pair configuration mode.	GC
<code>smart-pair restore</code>	Manually restores traffic to a smart pair link that is in the up conditions.	PE
<code>primary-port</code>	Configures the Primary Port of the Smart Pair	smart pair
<code>backup-port</code>	Configures the Backup Port of the Smart Pair	smart pair
<code>wtr-delay</code>	Configures the delay time to wait to restore traffic to a smart pair link after one of the links is restored.	smart pair
<code>show smart-pair</code>	Displays all the currently configured smart pairs and their associated information.	PE

smart-pair This command creates a smart pair in the switch configuration distinguished by a unique identification number and enters the smart-pair configuration mode. Use the **no** form to delete the smart pair from the switch configuration.

Syntax

`smart-pair ID`

`no smart-pair ID`

ID - Identification Number. (Range: 1-1000)

Default Setting

None

Command Mode

Global Configuration

Command Usage

Use the command to create a new smart pair or to enter the smart-pair configuration mode of an existing smart pair.

Example

```
Console(config)#smart-pair 1  
Console(config-smart-pair)#
```

smart-pair restore Use the smart-pair restore command to manually restore traffic to the primary port of a specified smart pair.

Syntax

smart-pair restore *ID*

ID - Identification Number. (Range: 1-1000)

Default Setting

None

Command Mode

Privileged Exec.

Command Usage

The link of the primary port must be in the up condition for the command to succeed.

Example

```
Console#smart-pair restore 1  
Console#
```

primary-port This command configures the primary port of a specified smart pair. Use the no form of the command to remove the configured primary port from the smart pair.

Syntax

primary-port *interface*

no primary-port

interface

ethernet *unit/port*

unit - Unit identifier.

port - Port number.

port-channel *channel-id*

Default Setting

None

Command Mode

Smart Pair Configuration Mode

Command Usage

When setting the primary-port of the smart pair the following limitations are enforced:

- Spanning-Tree must be disabled on the port.
- A configured primary port can only be a member of a single smart pair.
- Dynamic trunk ports cannot be configured as a smart pair port (only static trunk ports).
- When a trunk group is identified as a primary port of a smart pair, any members removed from the trunk group will not retain the smart pair settings.
- When all members of trunk group set as a primary port are removed, the primary port is also removed.
- The VLAN mode of the primary-port should not be changed after it is configured otherwise the behavior becomes unpredictable.

Example

```
Console(config-smart-pair)#primary-port ethernet 1/1  
Console(config-smart-pair)#
```

backup-port This command configures the backup port of a specified smart pair. Use the no form of the command to remove the configured backup port from the smart pair.

Syntax

backup-port *interface*

no backup

interface

ethernet *unit/port*

unit - Unit identifier.

port - Port number.

port-channel *channel-id*

Default Setting

None

Command Mode

Smart Pair Configuration Mode

Command Usage

When setting the backup-port of the smart pair the following limitations are enforced:

- Spanning-Tree must be disabled on the port.
- A configured backup port can only be a member of a single smart pair.
- Dynamic trunk ports cannot be configured as a smart pair port (only static trunk ports).
- When a trunk group is identified as a backup port of a smart pair, any members removed from the trunk group will not retain the smart pair settings.
- When all members of trunk group set as a backup port are removed, the backup port is also removed.
- The VLAN mode of the backup port should not be changed after it is configured otherwise the behavior becomes unpredictable.

Example

```
Console(config-smart-pair)#backup-port ethernet 1/2  
Console(config-smart-pair)#
```

wtr-delay This command sets the wait-to-restore delay for a smart pair. Use the no form of the command to set the delay to the default value.

Syntax

wtr-delay *seconds*

seconds - delay in seconds (Range:0, 5-3600)

Default Setting

None

Command Mode

Smart Pair Configuration Mode

Command Usage

- If the wtr-delay parameter is set to 0, traffic will not be restored after a failed port is recovered.
- If the wtr-delay is set from 5 to 3600 (seconds) and a failed smart port recovers, traffic will be restored to the port after the configured delay in seconds.

Example

```
Console(config-smart-pair)#wtr-delay 120  
Console(config-smart-pair)#
```

show smart-pair This command shows the configured smart pairs on the switch.

Default Setting

None

Command Mode

Privileged Exec

Example

```
Console#show smart-pair  
ID   Primary Port Backup Port  
----  
1    Eth 1/ 1     Eth 1/ 2  
Console#
```

20

TWAMP Commands

The Two-Way Active Measurement Protocol (TWAMP) is defined by RFC 5357. TWAMP is an open protocol for measuring network performance between any two devices that support the TWAMP protocol.

TWAMP uses the methodology and architecture of OWAMP (One-Way Active Measurement Protocol, RFC 4656), which defines an open protocol for the measurement of one-way metrics, but extends it to two-way, or round-trip, metrics. TWAMP consists of two protocols; a control protocol and a test session protocol. When starting a performance measurement session, the TWAMP control protocol is used to initiate and set up the test session. The TWAMP test protocol then uses UDP for sending and receiving the test packets for performance measurement.

Table 74: TWAMP Commands

Command	Function	Mode
<code>twamp reflector</code>	Enables TWAMP Session-Reflector on the switch	GC
<code>twamp reflector refwait</code>	Sets the TWAMP Reflector timeout	GC
<code>show twamp reflector</code>	Displays the TWAMP Reflector configuration and sessions on the switch	PE

twamp reflector This command enables the TWAMP Session-Reflector globally on the switch. Use the **no** form to disable the TWAMP reflector function.

Syntax

```
twamp reflector
no twamp reflector
```

Default Setting

Disabled

Command Mode

Global Configuration

Command Usage

The switch only supports the function of a Session-Reflector (RFC 5357). As a Reflector, the switch can receive test packets from a Session Sender and send test packet responses.

Example

```
Console(config)#twamp reflector
Console(config)#
```

twamp reflector refwait This command sets the TWAMP session timeout on the switch. Use the **no** form to restore the default.

Syntax

twamp reflector refwait *seconds*

no twamp reflector refwait

seconds - The timeout value in seconds. (Range: 30-3600)

Default Setting

900 seconds

Command Mode

Global Configuration

Command Usage

The Session-Reflector will discontinue any session that has been started when no packet associated with that session has been received for the timeout period.

Example

```
Console(config)#twamp reflector refwait 300
Console(config)#
```

show twamp reflector This command shows the configured TWAMP Reflector settings and sessions on the switch.

Command Mode

Privileged Exec

Example

```
Console#show twamp reflector
TWAMP Reflector Status: Enabled
TWAMP Reflector REFWAIT: 900 seconds
TWAMP Reflector Mode: Unauthenticated
Total number of sessions: 0

Sender Address      Sender Port  Reflector Address  Reflector Port
-----
Console#
```

21

Spanning Tree Commands

This section includes commands that configure the Spanning Tree Algorithm (STA) globally for the switch, and commands that configure STA for the selected interface.

Table 75: Spanning Tree Commands

Command	Function	Mode
<code>spanning-tree</code>	Enables the spanning tree protocol	GC
<code>spanning-tree cisco-prestandard</code>	Configures spanning tree operation to be compatible with Cisco prestandard versions	GC
<code>spanning-tree forward-time</code>	Configures the spanning tree bridge forward time	GC
<code>spanning-tree hello-time</code>	Configures the spanning tree bridge hello time	GC
<code>spanning-tree max-age</code>	Configures the spanning tree bridge maximum age	GC
<code>spanning-tree mode</code>	Configures STP, RSTP or MSTP mode	GC
<code>spanning-tree mst configuration</code>	Changes to MSTP configuration mode	GC
<code>spanning-tree pathcost method</code>	Configures the path cost method for RSTP/MSTP	GC
<code>spanning-tree priority</code>	Configures the spanning tree bridge priority	GC
<code>spanning-tree system-bpdu-flooding</code>	Floods BPDUs to all other ports or just to all other ports in the same VLAN when global spanning tree is disabled	GC
<code>spanning-tree tc-prop</code>	Configures a topology change propagation domain	GC
<code>spanning-tree transmission-limit</code>	Configures the transmission limit for RSTP/MSTP	GC
<code>max-hops</code>	Configures the maximum number of hops allowed in the region before a BPDU is discarded	MST
<code>mst priority</code>	Configures the priority of a spanning tree instance	MST
<code>mst vlan</code>	Adds VLANs to a spanning tree instance	MST
<code>name</code>	Configures the name for the multiple spanning tree	MST
<code>revision</code>	Configures the revision number for the multiple spanning tree	MST
<code>spanning-tree bpdu-filter</code>	Filters BPDUs for edge ports	IC
<code>spanning-tree bpdu-guard</code>	Shuts down an edge port if it receives a BPDU	IC
<code>spanning-tree cost</code>	Configures the spanning tree path cost of an interface	IC
<code>spanning-tree edge-port</code>	Enables fast forwarding for edge ports	IC
<code>spanning-tree link-type</code>	Configures the link type for RSTP/MSTP	IC
<code>spanning-tree loopback-detection</code>	Enables BPDU loopback detection for a port	IC

Table 75: Spanning Tree Commands (Continued)

Command	Function	Mode
<code>spanning-tree loopback-detection action</code>	Configures the response for loopback detection to block user traffic or shut down the interface	IC
<code>spanning-tree loopback-detection release-mode</code>	Configures loopback release mode for a port	IC
<code>spanning-tree loopback-detection trap</code>	Enables BPDU loopback SNMP trap notification for a port	IC
<code>spanning-tree restricted-tcn</code>	Prevents a TCN from being propagated from an aggregation switch to the uplink port on access switches	IC
<code>spanning-tree mst cost</code>	Configures the path cost of an instance in the MST	IC
<code>spanning-tree mst port-priority</code>	Configures the priority of an instance in the MST	IC
<code>spanning-tree port-bpdu-flooding</code>	Floods BPDUs to other ports when global spanning tree is disabled	IC
<code>spanning-tree port-priority</code>	Configures the spanning tree priority of an interface	IC
<code>spanning-tree root-guard</code>	Prevents a designated port from passing superior BPDUs	IC
<code>spanning-tree spanning-disabled</code>	Disables spanning tree for an interface	IC
<code>spanning-tree tc-prop-stop</code>	Stops propagation of topology change information	IC
<code>spanning-tree loopback-detection release</code>	Manually releases a port placed in discarding state by loopback-detection	PE
<code>spanning-tree protocol-migration</code>	Re-checks the appropriate BPDU format	PE
<code>show spanning-tree</code>	Shows spanning tree configuration for the common spanning tree (i.e., overall bridge), a selected interface, or an instance within the multiple spanning tree	PE
<code>show spanning-tree mst configuration</code>	Shows the multiple spanning tree configuration	PE
<code>show spanning-tree tc-prop</code>	Shows configuration of topology change propagation domains	PE

spanning-tree This command enables the Spanning Tree Algorithm globally for the switch. Use the **no** form to disable it.

Syntax

`[no] spanning-tree`

Default Setting

Spanning tree is disabled.

Command Mode

Global Configuration

Command Usage

- The Spanning Tree Algorithm (STA) can be used to detect and disable network loops, and to provide backup links between switches, bridges or routers. This allows the switch to interact with other bridging devices (that is, an STA-compliant switch, bridge or router) in your network to ensure that only one route exists between any two stations on the network, and provide backup links which automatically take over when a primary link goes down.

Example

This example shows how to enable the Spanning Tree Algorithm for the switch:

```
Console(config)#spanning-tree
Console(config)#
```

**spanning-tree
cisco-prestandard**

This command configures spanning tree operation to be compatible with Cisco prestandard versions. Use the **no** form to restore the default setting.

[no] **spanning-tree cisco-prestandard**

Default Setting

Disabled

Command Mode

Global Configuration

Command Usage

Cisco prestandard versions prior to Cisco IOS Release 12.2(25)SEC do not fully follow the IEEE standard, causing some state machine procedures to function incorrectly. The command forces the spanning tree protocol to function in a manner compatible with Cisco prestandard versions.

Example

```
Console(config)#spanning-tree cisco-prestandard
Console(config)#
```

**spanning-tree
forward-time**

This command configures the spanning tree bridge forward time globally for this switch. Use the **no** form to restore the default setting.

Syntax

spanning-tree forward-time *seconds*

no spanning-tree forward-time

seconds - Time in seconds. (Range: 4 - 30 seconds)

The minimum value is the higher of 4 or $[(\text{max-age} / 2) + 1]$.

Default Setting

15 seconds

Command Mode

Global Configuration

Command Usage

This command sets the maximum time (in seconds) a port will wait before changing states (i.e., discarding to learning to forwarding). This delay is required because every device must receive information about topology changes before it starts to forward frames. In addition, each port needs time to listen for conflicting information that would make it return to the discarding state; otherwise, temporary data loops might result.

Example

```
Console(config)#spanning-tree forward-time 20
Console(config)#
```

spanning-tree hello-time This command configures the spanning tree bridge hello time globally for this switch. Use the **no** form to restore the default.

Syntax

spanning-tree hello-time *time*

no spanning-tree hello-time

time - Time in seconds. (Range: 1-10 seconds).

The maximum value is the lower of 10 or $[(\text{max-age} / 2) - 1]$.

Default Setting

2 seconds

Command Mode

Global Configuration

Command Usage

This command sets the time interval (in seconds) at which the root device transmits a configuration message.

Example

```
Console(config)#spanning-tree hello-time 5
Console(config)#
```

spanning-tree max-age This command configures the spanning tree bridge maximum age globally for this switch. Use the **no** form to restore the default.

Syntax

spanning-tree max-age *seconds*

no spanning-tree max-age

seconds - Time in seconds. (Range: 6-40 seconds)

The minimum value is the higher of 6 or $[2 \times (\text{hello-time} + 1)]$.

The maximum value is the lower of 40 or $[2 \times (\text{forward-time} - 1)]$.

Default Setting

20 seconds

Command Mode

Global Configuration

Command Usage

This command sets the maximum time (in seconds) a device can wait without receiving a configuration message before attempting to reconverge. All device ports (except for designated ports) should receive configuration messages at regular intervals. Any port that ages out STA information (provided in the last configuration message) becomes the designated port for the attached LAN. If it is a root port, a new root port is selected from among the device ports attached to the network.

Example

```
Console(config)#spanning-tree max-age 40
Console(config)#
```

spanning-tree mode This command selects the spanning tree mode for this switch. Use the **no** form to restore the default.

Syntax

spanning-tree mode {**stp** | **rstp** | **mstp**}

no spanning-tree mode

stp - Spanning Tree Protocol (IEEE 802.1D)

rstp - Rapid Spanning Tree Protocol (IEEE 802.1w)

mstp - Multiple Spanning Tree (IEEE 802.1s)

Default Setting

rstp

Command Mode

Global Configuration

Command Usage

- **Spanning Tree Protocol**

This option uses RSTP set to STP forced compatibility mode. It uses RSTP for the internal state machine, but sends only 802.1D BPDUs. This creates one spanning tree instance for the entire network. If multiple VLANs are implemented on a network, the path between specific VLAN members may be inadvertently disabled to prevent network loops, thus isolating group members. When operating multiple VLANs, we recommend selecting the MSTP option.
- **Rapid Spanning Tree Protocol**

RSTP supports connections to either STP or RSTP nodes by monitoring the incoming protocol messages and dynamically adjusting the type of protocol messages the RSTP node transmits, as described below:

 - **STP Mode** – If the switch receives an 802.1D BPDU after a port's migration delay timer expires, the switch assumes it is connected to an 802.1D bridge and starts using only 802.1D BPDUs.
 - **RSTP Mode** – If RSTP is using 802.1D BPDUs on a port and receives an RSTP BPDU after the migration delay expires, RSTP restarts the migration delay timer and begins using RSTP BPDUs on that port.
- **Multiple Spanning Tree Protocol**
 - To allow multiple spanning trees to operate over the network, you must configure a related set of bridges with the same MSTP configuration, allowing them to participate in a specific set of spanning tree instances.
 - A spanning tree instance can exist only on bridges that have compatible VLAN instance assignments.
 - Be careful when switching between spanning tree modes. Changing modes stops all spanning-tree instances for the previous mode and restarts the system in the new mode, temporarily disrupting user traffic.

Example

The following example configures the switch to use Rapid Spanning Tree:

```
Console(config)#spanning-tree mode rstp
Console(config)#
```

spanning-tree mst configuration This command changes to Multiple Spanning Tree (MST) configuration mode.

Syntax

spanning-tree mst configuration

Default Setting

No VLANs are mapped to any MST instance.
The region name is set the switch’s MAC address.

Command Mode

Global Configuration

Example

```
Console(config)#spanning-tree mst configuration
Console(config-mstp)#
```

spanning-tree pathcost method This command configures the path cost method used for Rapid Spanning Tree and Multiple Spanning Tree. Use the **no** form to restore the default.

Syntax

spanning-tree pathcost method {long | short}
no spanning-tree pathcost method

long - Specifies 32-bit based values that range from 1-200,000,000.
This method is based on the IEEE 802.1w Rapid Spanning Tree Protocol.

short - Specifies 16-bit based values that range from 1-65535.
This method is based on the IEEE 802.1D Spanning Tree Protocol.

Default Setting

Long method

Command Mode

Global Configuration

Command Usage

- The path cost method is used to determine the best path between devices. Therefore, lower values should be assigned to ports attached to faster media, and higher values assigned to ports with slower media. Note that path cost ([page 478](#)) takes precedence over port priority ([page 487](#)).
- The path cost methods apply to all spanning tree modes (STP, RSTP and MSTP). Specifically, the long method can be applied to STP since this mode is supported by a backward compatible mode of RSTP.

Example

```
Console(config)#spanning-tree pathcost method long
Console(config)#
```

spanning-tree priority This command configures the spanning tree priority globally for this switch. Use the **no** form to restore the default.

Syntax

spanning-tree priority *priority*

no spanning-tree priority

priority - Priority of the bridge. (Range – 0-61440, in steps of 4096;
Options: 0, 4096, 8192, 12288, 16384, 20480, 24576, 28672, 32768, 36864, 40960, 45056, 49152, 53248, 57344, 61440)

Default Setting

32768

Command Mode

Global Configuration

Command Usage

Bridge priority is used in selecting the root device, root port, and designated port. The device with the highest priority (i.e., lower numeric value) becomes the STA root device. However, if all devices have the same priority, the device with the lowest MAC address will then become the root device.

Example

```
Console(config)#spanning-tree priority 40960
Console(config)#
```

spanning-tree system-bpdu-flooding This command configures how the system floods BPDUs to other ports when spanning tree is disabled globally on the switch or disabled on specific ports. Use the **no** form to restore the default.

Syntax

spanning-tree system-bpdu-flooding {**to-all** | **to-vlan**}

no spanning-tree system-bpdu-flooding

to-all - Floods BPDUs to all other spanning-tree disabled ports on the switch.

to-vlan - Floods BPDUs to all other spanning-tree disabled ports within the receiving port's native VLAN (i.e., as determined by port's PVID).

Default Setting

Floods to all other spanning-tree disabled ports in the same VLAN.

Command Mode

Global Configuration

Command Usage

The **spanning-tree system-bpdu-flooding** command has no effect if BPDU flooding is disabled on a port (see the [spanning-tree port-bpdu-flooding](#) command).

Example

```
Console(config)#spanning-tree system-bpdu-flooding to-all
Console(config)#
```

spanning-tree tc-prop This command configures a topology change propagation domain. Use the **no** form to remove a propagation domain.

Syntax

spanning-tree tc-prop group *group-id* {**ethernet** *interface* | **port-channel** *trunk-id*}

group-id - Group identifier. (Range: 1-255)

interface - *unit/port*

unit - Unit identifier.

port - Port number or list of ports. To enter a list, separate nonconsecutive port identifiers with a comma and no spaces; use a hyphen to designate a range of ports.

trunk-id - Trunk index

Default Setting

All ports and trunks belong to a common group.

Command Mode

Global Configuration

Command Usage

A port can only belong to one group. When an interface is added to a group, it is removed from the default group. When a TCN BPDU or BPDU with the TC flag set is received on an interface, that interface will only notify members in same group to propagate this topology change.

Example

```
Console(config)#spanning-tree tc-prop group 1 ethernet 1/1-5
Console(config)#
```

spanning-tree transmission-limit This command configures the maximum number of RSTP/MSTP BPDU transmissions permitted within the Hello Time interval. Use the **no** form to restore the default.

Syntax

spanning-tree transmission-limit *count*

no spanning-tree transmission-limit

count - The transmission limit number. (Range: 1-10)

Default Setting

3

Command Mode

Global Configuration

Command Usage

This command limits the number of BPDUs transmitted within the configured Hello Time interval.

Example

```
Console(config)#spanning-tree transmission-limit 4
Console(config)#
```

max-hops This command configures the maximum number of hops in the region before a BPDU is discarded. Use the **no** form of the command to set the number of hops to the default value.

Syntax

max-hops *hop-number*

no max-hops

hop-number - Maximum hop number for multiple spanning tree.
(Range: 1-40)

Default Setting

20

Command Mode

MST Configuration

Command Usage

An MSTI region is treated as a single node by the STP and RSTP protocols. Therefore, the message age for BPDUs inside an MSTI region is never changed. However, each spanning tree instance within a region, and the internal spanning tree (IST) that connects these instances use a hop count to specify the maximum number of bridges that will propagate a BPDU. Each bridge decrements the hop count by one before passing on the BPDU. When the hop count reaches zero, the message is dropped.

Example

```
Console(config-mstp)#max-hops 30
Console(config-mstp)#
```

mst priority This command configures the priority of a spanning tree instance. Use the **no** form to restore the default.

Syntax

mst *instance-id* **priority** *priority*

no mst *instance-id* **priority**

instance-id - Instance identifier of the spanning tree. (Range: 0-4094)

priority - Priority of the a spanning tree instance.

(Range: 0-61440 in steps of 4096; Options: 0, 4096, 8192, 12288, 16384, 20480, 24576, 28672, 32768, 36864, 40960, 45056, 49152, 53248, 57344, 61440)

Default Setting

32768

Command Mode

MST Configuration

Command Usage

- MST priority is used in selecting the root bridge and alternate bridge of the specified instance. The device with the highest priority (i.e., lowest numerical value) becomes the MSTI root device. However, if all devices have the same priority, the device with the lowest MAC address will then become the root device.
- You can set this switch to act as the MSTI root device by specifying a priority of 0, or as the MSTI alternate device by specifying a priority of 16384.

Example

```
Console(config-mstp)#mst 1 priority 4096
Console(config-mstp)#
```

mst vlan This command adds VLANs to a spanning tree instance. Use the **no** form to remove the specified VLANs. Using the **no** form without any VLAN parameters to remove all VLANs.

Syntax

```
[no] mst instance-id vlan vlan-range
```

instance-id - Instance identifier of the spanning tree. (Range: 0-4094)

vlan-range - Range of VLANs. (Range: 1-4094)

Default Setting

none

Command Mode

MST Configuration

Command Usage

- Use this command to group VLANs into spanning tree instances. MSTP generates a unique spanning tree for each instance. This provides multiple pathways across the network, thereby balancing the traffic load, preventing wide-scale disruption when a bridge node in a single instance fails, and allowing for faster convergence of a new topology for the failed instance.
- By default all VLANs are assigned to the Internal Spanning Tree (MSTI 0) that connects all bridges and LANs within the MST region. This switch supports up to 64 instances. You should try to group VLANs which cover the same general area of your network. However, remember that you must configure all bridges within the same MSTI Region ([page 475](#)) with the same set of instances, and the same instance (on each bridge) with the same set of VLANs. Also, note that RSTP treats each MSTI region as a single node, connecting all regions to the Common Spanning Tree.

Example

```
Console(config-mstp)#mst 1 vlan 2-5
Console(config-mstp)#
```

name This command configures the name for the multiple spanning tree region in which this switch is located. Use the **no** form of the command to set the name to the default name.

Syntax

```
name name
```

```
no name
```

name - Name of multiple spanning tree region. (Range: 1-32 alphanumeric characters)

Default Setting

Switch's MAC address

Command Mode

MST Configuration

Command Usage

The MST region name and revision number ([page 476](#)) are used to designate a unique MST region. A bridge (i.e., spanning-tree compliant device such as this switch) can only belong to one MST region. And all bridges in the same region must be configured with the same MST instances.

Example

```
Console(config-mstp)#name R&D
Console(config-mstp)#
```

revision This command configures the revision number for this multiple spanning tree configuration of this switch. Use the no form of the command to set the revision number to the default value.

Syntax

revision *number*

no revision

number - Revision number of the spanning tree. (Range: 0-65535)

Default Setting

0

Command Mode

MST Configuration

Command Usage

The MST region name ([page 475](#)) and revision number are used to designate a unique MST region. A bridge (i.e., spanning-tree compliant device such as this switch) can only belong to one MST region. And all bridges in the same region must be configured with the same MST instances.

Example

```
Console(config-mstp)#revision 1
Console(config-mstp)#
```

spanning-tree bpd-filter This command allows you to avoid transmitting BPDUs on configured edge ports that are connected to end nodes. Use the **no** form to disable this feature.

Syntax

```
[no] spanning-tree bpd-filter
```

Default Setting

Disabled

Command Mode

Interface Configuration (Ethernet, Port Channel)

Command Usage

- This command stops all Bridge Protocol Data Units (BPDUs) from being transmitted on configured edge ports to save CPU processing time. This function is designed to work in conjunction with edge ports which should only connect end stations to the switch, and therefore do not need to process BPDUs. However, note that if a trunking port connected to another switch or bridging device is mistakenly configured as an edge port, and BPDU filtering is enabled on this port, this might cause a loop in the spanning tree.
- BPDU filter can only be configured on an interface if the edge port attribute is not disabled (that is, if edge port is set to enabled or auto with the [spanning-tree edge-port](#) command).

Example

```
Console(config)#interface ethernet 1/5
Console(config-if)#spanning-tree edge-port
Console(config-if)#spanning-tree bpd-filter
Console(config-if)#
```

spanning-tree bpd-guard This command shuts down an edge port (i.e., an interface set for fast forwarding) if it receives a BPDU. Use the **no** form without any keywords to disable this feature, or with a keyword to restore the default settings.

Syntax

```
spanning-tree bpd-guard [auto-recovery [interval interval]]
```

```
no spanning-tree bpd-guard [auto-recovery [interval]]
```

auto-recovery - Automatically re-enables an interface after the specified interval.

interval - The time to wait before re-enabling an interface. (Range: 30-86400 seconds)

Default Setting

BPDU Guard: Disabled
 Auto-Recovery: Disabled
 Auto-Recovery Interval: 300 seconds

Command Mode

Interface Configuration (Ethernet, Port Channel)

Command Usage

- An edge port should only be connected to end nodes which do not generate BPDUs. If a BPDU is received on an edge port, this indicates an invalid network configuration, or that the switch may be under attack by a hacker. If an interface is shut down by BPDU Guard, it must be manually re-enabled using the `no shutdown` command if the auto-recovery interval is not specified.
- BPDU guard can only be configured on an interface if the edge port attribute is not disabled (that is, if edge port is set to enabled or auto with the `spanning-tree edge-port` command).

Example

```
Console(config)#interface ethernet 1/5
Console(config-if)#spanning-tree edge-port
Console(config-if)#spanning-tree bpdu-guard
Console(config-if)#
```

spanning-tree cost This command configures the spanning tree path cost for the specified interface. Use the `no` form to restore the default auto-configuration mode.

Syntax

spanning-tree cost *cost*

no spanning-tree cost

cost - The path cost for the port. (Range: 0 for auto-configuration, 1-65535 for short path cost method, 1-200,000,000 for long path cost method)¹⁰

Table 76: Recommended STA Path Cost Range

Port Type	Short Path Cost (IEEE 802.1D-1998)	Long Path Cost (IEEE 802.1D-2004)
Ethernet	50-600	200,000-20,000,000
Fast Ethernet	10-60	20,000-2,000,000

¹⁰. Use the `spanning-tree pathcost method` command to set the path cost method. The range displayed in the CLI prompt message shows the maximum value for path cost. However, note that the switch still enforces the rules for path cost based on the specified path cost method (long or short).

Table 76: Recommended STA Path Cost Range (Continued)

Port Type	Short Path Cost (IEEE 802.1D-1998)	Long Path Cost (IEEE 802.1D-2004)
Gigabit Ethernet	3-10	2,000-200,000
10G Ethernet	1-5	200-20,000

Default Setting

By default, the system automatically detects the speed and duplex mode used on each port, and configures the path cost according to the values shown below. Path cost "0" is used to indicate auto-configuration mode. When the short path cost method is selected and the default path cost recommended by the IEEE 802.1w standard exceeds 65,535, the default is set to 65,535.

Table 77: Default STA Path Costs

Port Type	Short Path Cost (IEEE 802.1D-1998)	Long Path Cost (IEEE 802.1t)
Ethernet	65,535	1,999,999
Fast Ethernet	65,535	199,999
Gigabit Ethernet	10,000	20,000
2.5G Gigabit Ethernet	4,000	8,000
10G Ethernet	1,000	2,000
25G Ethernet	400	800
40G Ethernet	500	1,000
100G Ethernet	100	200

Command Mode

Interface Configuration (Ethernet, Port Channel)

Command Usage

- This command is used by the Spanning Tree Algorithm to determine the best path between devices. Therefore, lower values should be assigned to ports attached to faster media, and higher values assigned to ports with slower media.
- Path cost takes precedence over port priority.
- When the path cost method ([page 470](#)) is set to short, the maximum value for path cost is 65,535.

Example

```
Console(config)#interface ethernet 1/5
Console(config-if)#spanning-tree cost 50
Console(config-if)#
```

spanning-tree edge-port This command specifies an interface as an edge port. Use the **no** form to restore the default.

Syntax

spanning-tree edge-port [auto]

no spanning-tree edge-port

auto - Automatically determines if an interface is an edge port.

Default Setting

Auto

Command Mode

Interface Configuration (Ethernet, Port Channel)

Command Usage

- You can enable this option if an interface is attached to a LAN segment that is at the end of a bridged LAN or to an end node. Since end nodes cannot cause forwarding loops, they can pass directly through to the spanning tree forwarding state. Specifying Edge Ports provides quicker convergence for devices such as workstations or servers, retains the current forwarding database to reduce the amount of frame flooding required to rebuild address tables during reconfiguration events, does not cause the spanning tree to initiate reconfiguration when the interface changes state, and also overcomes other STA-related time out problems. However, remember that Edge Port should only be enabled for ports connected to an end-node device.
- When edge port is set as auto, the operational state is determined automatically by the Bridge Detection State Machine described in 802.1D-2004, where the edge port state may change dynamically based on environment changes (e.g., receiving a BPDU or not within the required interval).

Example

```
Console(config)#interface ethernet 1/5
Console(config-if)#spanning-tree edge-port
Console(config-if)#
```

spanning-tree link-type This command configures the link type for Rapid Spanning Tree and Multiple Spanning Tree. Use the **no** form to restore the default.

Syntax

spanning-tree link-type {auto | point-to-point | shared}

no spanning-tree link-type

auto - Automatically derived from the duplex mode setting.

point-to-point - Point-to-point link.

shared - Shared medium.

Default Setting

auto

Command Mode

Interface Configuration (Ethernet, Port Channel)

Command Usage

- Specify a point-to-point link if the interface can only be connected to exactly one other bridge, or a shared link if it can be connected to two or more bridges.
- When automatic detection is selected, the switch derives the link type from the duplex mode. A full-duplex interface is considered a point-to-point link, while a half-duplex interface is assumed to be on a shared link.
- RSTP only works on point-to-point links between two bridges. If you designate a port as a shared link, RSTP is forbidden. Since MSTP is an extension of RSTP, this same restriction applies.

Example

```
Console(config)#interface ethernet 1/5
Console(config-if)#spanning-tree link-type point-to-point
```

spanning-tree loopback-detection

This command enables the detection and response to Spanning Tree loopback BPDU packets on the port. Use the **no** form to disable this feature.

Syntax

[no] **spanning-tree loopback-detection**

Default Setting

Disabled

Command Mode

Interface Configuration (Ethernet, Port Channel)

Command Usage

- If Port Loopback Detection is not enabled and a port receives its own BPDU, then the port will drop the loopback BPDU according to IEEE Standard 802.1W-2001 9.3.4 (Note 1).
- Port Loopback Detection will not be active if Spanning Tree is disabled on the switch.

Example

```
Console(config)#interface ethernet 1/5
Console(config-if)#spanning-tree loopback-detection
```

spanning-tree loopback-detection action

This command configures the response for loopback detection to shut down the interface. Use the **no** form to restore the default.

Syntax

spanning-tree loopback-detection action {**shutdown** *duration*}

no spanning-tree loopback-detection action

shutdown - Shuts down the interface.

duration - The duration to shut down the interface.
(Range: 60-86400 seconds)

Default Setting

shutdown, 60 seconds

Command Mode

Interface Configuration (Ethernet, Port Channel)

Command Usage

- If an interface is shut down by this command, and the release mode is set to "auto" with the [spanning-tree loopback-detection release-mode](#) command, the selected interface will be automatically enabled when the shutdown interval has expired.
- If an interface is shut down by this command, and the release mode is set to "manual," the interface can be re-enabled using the [spanning-tree loopback-detection release](#) command.

Example

```
Console(config)#interface ethernet 1/5
Console(config-if)#spanning-tree loopback-detection action shutdown 600
Console(config-if)#
```

spanning-tree loopback-detection release-mode This command configures the release mode for a port that was placed in the discarding state because a loopback BPDU was received. Use the **no** form to restore the default.

Syntax

spanning-tree loopback-detection release-mode {auto | manual}

no spanning-tree loopback-detection release-mode

auto - Allows a port to automatically be released from the discarding state when the loopback state ends.

manual - The port can only be released from the discarding state manually.

Default Setting

auto

Command Mode

Interface Configuration (Ethernet, Port Channel)

Command Usage

- If the port is configured for automatic loopback release, then the port will only be returned to the forwarding state if one of the following conditions is satisfied:
 - The port receives any other BPDU except for its own, or;
 - The port's link status changes to link down and then link up again, or;
 - The port ceases to receive its own BPDUs in a forward delay interval.
- If Port Loopback Detection is not enabled and a port receives its own BPDU, then the port will drop the loopback BPDU according to IEEE Standard 802.1W-2001 9.3.4 (Note 1).
- Port Loopback Detection will not be active if Spanning Tree is disabled on the switch.
- When configured for manual release mode, then a link down / up event will not release the port from the discarding state. It can only be released using the [spanning-tree loopback-detection release](#) command.

Example

```
Console(config)#interface ethernet 1/5
Console(config-if)#spanning-tree loopback-detection release-mode manual
Console(config-if)#
```

spanning-tree loopback-detection trap This command enables SNMP trap notification for Spanning Tree loopback BPDU detections. Use the **no** form to restore the default.

Syntax

```
[no] spanning-tree loopback-detection trap
```

Default Setting

Disabled

Command Mode

Interface Configuration (Ethernet, Port Channel)

Example

```
Console(config)#interface ethernet 1/5  
Console(config-if)#spanning-tree loopback-detection trap
```

spanning-tree restricted-tcn This command prevents TCNs from being propagated from a switch port to other ports. Use the **no** form to restore the default setting.

Syntax

```
[no] spanning-tree restricted-tcn
```

Default Setting

Disabled

Command Mode

Interface Configuration (Ethernet, Port Channel)

Command Usage

This command prevents a switch from propagating Topology Change Notifications (TCNs) to other ports on the switch.

Example

```
Console(config)#interface ethernet 1/5  
Console(config-if)#spanning-tree restricted-tcn
```

spanning-tree mst cost This command configures the path cost on a spanning instance in the Multiple Spanning Tree. Use the **no** form to restore the default auto-configuration mode.

Syntax

spanning-tree mst *instance-id* **cost** *cost*

no spanning-tree mst *instance-id* **cost**

instance-id - Instance identifier of the spanning tree. (Range: 0-4094)

cost - Path cost for an interface. (Range: 0 for auto-configuration, 1-65535 for short path cost method¹¹, 1-200,000,000 for long path cost method)

The recommended path cost range is listed in [Table 76 on page 478](#).

Default Setting

By default, the system automatically detects the speed and duplex mode used on each port, and configures the path cost according to the values shown in [Table 77](#). Path cost “0” is used to indicate auto-configuration mode. When the short path cost method is selected and the default path cost recommended by the IEEE 8021w standard exceeds 65,535, the default is set to 65,535. The default path costs are listed in [Table 77 on page 479](#).

Command Mode

Interface Configuration (Ethernet, Port Channel)

Command Usage

- Each spanning-tree instance is associated with a unique set of VLAN IDs.
- This command is used by the multiple spanning-tree algorithm to determine the best path between devices. Therefore, lower values should be assigned to interfaces attached to faster media, and higher values assigned to interfaces with slower media.
- Use the **no spanning-tree mst cost** command to specify auto-configuration mode.
- Path cost takes precedence over interface priority.

Example

```
Console(config)#interface Ethernet 1/5
Console(config-if)#spanning-tree mst 1 cost 50
Console(config-if)#
```

¹¹. Use the [spanning-tree pathcost method](#) command to set the path cost method.

spanning-tree mst port-priority This command configures the interface priority on a spanning instance in the Multiple Spanning Tree. Use the **no** form to restore the default.

Syntax

spanning-tree mst *instance-id* **port-priority** *priority*

no spanning-tree mst *instance-id* **port-priority**

instance-id - Instance identifier of the spanning tree. (Range: 0-4094)

priority - Priority for an interface. (Range: 0-240 in steps of 16)

Default Setting

128

Command Mode

Interface Configuration (Ethernet, Port Channel)

Command Usage

- This command defines the priority for the use of an interface in the multiple spanning-tree. If the path cost for all interfaces on a switch are the same, the interface with the highest priority (that is, lowest value) will be configured as an active link in the spanning tree.
- Where more than one interface is assigned the highest priority, the interface with lowest numeric identifier will be enabled.

Example

```
Console(config)#interface ethernet 1/5
Console(config-if)#spanning-tree mst 1 port-priority 0
Console(config-if)#
```

spanning-tree port-bpdu-flooding This command floods BPDUs to other ports when spanning tree is disabled globally or disabled on a specific port. Use the **no** form to restore the default setting.

Syntax

[no] **spanning-tree port-bpdu-flooding**

Default Setting

Enabled

Command Mode

Interface Configuration (Ethernet, Port Channel)

Command Usage

- When enabled, BPDUs are flooded to all other spanning-tree disabled ports on the switch or within the receiving port's native VLAN as specified by the `spanning-tree system-bpdu-flooding` command.
- The `spanning-tree system-bpdu-flooding` command has no effect if BPDU flooding is disabled on a port by the `spanning-tree port-bpdu-flooding` command.

Example

```
Console(config)#interface ethernet 1/5
Console(config-if)#spanning-tree port-bpdu-flooding
Console(config-if)#
```

spanning-tree port-priority This command configures the priority for the specified interface. Use the **no** form to restore the default.

Syntax

`spanning-tree port-priority priority`

`no spanning-tree port-priority`

priority - The priority for a port. (Range: 0-240, in steps of 16)

Default Setting

128

Command Mode

Interface Configuration (Ethernet, Port Channel)

Command Usage

- This command defines the priority for the use of a port in the Spanning Tree Algorithm. If the path cost for all ports on a switch are the same, the port with the highest priority (that is, lowest value) will be configured as an active link in the spanning tree.
- Where more than one port is assigned the highest priority, the port with lowest numeric identifier will be enabled.
- The criteria used for determining the port role is based on root bridge ID, root path cost, designated bridge, designated port, port priority, and port number, in that order and as applicable to the role under question.

Example

```
Console(config)#interface ethernet 1/5
Console(config-if)#spanning-tree port-priority 0
```

spanning-tree root-guard This command prevents a designated port¹² from taking superior BPDUs into account and allowing a new STP root port to be elected. Use the **no** form to disable this feature.

Syntax

```
[no] spanning-tree root-guard
```

Default Setting

Disabled

Command Mode

Interface Configuration (Ethernet, Port Channel)

Command Usage

- A bridge with a lower bridge identifier (or same identifier and lower MAC address) can take over as the root bridge at any time.
- When Root Guard is enabled, and the switch receives a superior BPDU on this port, it is set to the Discarding state until it stops receiving superior BPDUs for a fixed recovery period. While in the discarding state, no traffic is forwarded across the port.
- Root Guard can be used to ensure that the root bridge is not formed at a suboptimal location. Root Guard should be enabled on any designated port connected to low-speed bridges which could potentially overload a slower link by taking over as the root port and forming a new spanning tree topology. It could also be used to form a border around part of the network where the root bridge is allowed.
- When spanning tree is initialized globally on the switch or on an interface, the switch will wait for 20 seconds to ensure that the spanning tree has converged before enabling Root Guard.

Example

```
Console(config)#interface ethernet 1/5
Console(config-if)#spanning-tree root-guard
Console(config-if)#
```

spanning-tree spanning-disabled This command disables the spanning tree algorithm for the specified interface. Use the **no** form to re-enable the spanning tree algorithm for the specified interface.

Syntax

```
[no] spanning-tree spanning-disabled
```

¹². See Port Role in the *Web Management Guide*.

Default Setting

Enabled

Command Mode

Interface Configuration (Ethernet, Port Channel)

Command Usage

When spanning tree is enabled globally ([spanning-tree](#) command) or enabled on an interface by this command, loopback detection is disabled.

Example

This example disables the spanning tree algorithm for port 5.

```
Console(config)#interface ethernet 1/5
Console(config-if)#spanning-tree spanning-disabled
Console(config-if)#
```

**spanning-tree
tc-prop-stop**

This command stops the propagation of topology change notifications (TCN for STP) and topology change messages (TC for RSTP/MSTP). Use the **no** form to allow propagation of TCN/TC messages.

Syntax

```
[no] spanning-tree tc-prop-stop
```

Default Setting

Disabled

Command Mode

Interface Configuration (Ethernet, Port Channel)

Command Usage

When this command is enabled on an interface, topology change information originating from the interface will still be propagated.

This command should not be used on an interface which is purposely configured in a ring topology.

Example

```
Console(config)#interface ethernet 1/1
Console(config-if)#spanning-tree tc-prop-stop
Console(config-if)#
```

spanning-tree loopback-detection release This command manually releases a port placed in discarding state by loopback-detection.

Syntax

```
spanning-tree loopback-detection release interface
interface
    ethernet unit/port
        unit - Unit identifier.
        port - Port number.
    port-channel channel-id
```

Command Mode

Privileged Exec

Command Usage

Use this command to release an interface from discarding state if loopback detection release mode is set to “manual” by the [spanning-tree loopback-detection release-mode](#) command and BPDU loopback occurs.

Example

```
Console#spanning-tree loopback-detection release ethernet 1/1
Console#
```

spanning-tree protocol-migration This command re-checks the appropriate BPDU format to send on the selected interface.

Syntax

```
spanning-tree protocol-migration interface
interface
    ethernet unit/port
        unit - Unit identifier.
        port - Port number.
    port-channel channel-id
```

Command Mode

Privileged Exec

Command Usage

If at any time the switch detects STP BPDUs, including Configuration or Topology Change Notification BPDUs, it will automatically set the selected interface to forced STP-compatible mode. However, you can also use the **spanning-tree protocol-**

migration command at any time to manually re-check the appropriate BPDU format to send on the selected interfaces (i.e., RSTP or STP-compatible).

Example

```
Console#spanning-tree protocol-migration ethernet 1/5
Console#
```

show spanning-tree This command shows the configuration for the common spanning tree (CST), for all instances within the multiple spanning tree (MST), or for a specific instance within the multiple spanning tree (MST).

Syntax

```
show spanning-tree [interface | mst instance-id [brief | interface] | brief | stp-enabled-only]
```

interface

ethernet *unit/port*

unit - Unit identifier.

port - Port number.

port-channel *channel-id*

instance-id - Instance identifier of the multiple spanning tree.
(Range: 0-4094)

brief - Shows a summary of global and interface settings.

stp-enabled-only - Displays global settings, and settings for interfaces for which STP is enabled.

Default Setting

None

Command Mode

Privileged Exec

Command Usage

- Use the **show spanning-tree** command with no parameters to display the spanning tree configuration for the switch for the Common Spanning Tree (CST) and for every interface in the tree.
- Use the **show spanning-tree interface** command to display the spanning tree configuration for an interface within the Common Spanning Tree (CST).
- Use the **show spanning-tree mst** command to display the spanning tree configuration for all instances within the Multiple Spanning Tree (MST), including global settings and settings for active interfaces.

- Use the **show spanning-tree mst instance-id** command to display the spanning tree configuration for an instance within the Multiple Spanning Tree (MST), including global settings and settings for all interfaces.

Example

```

Console#show spanning-tree
Spanning Tree Information
-----
Spanning Tree Mode           : MSTP
Spanning Tree Enabled/Disabled : Enabled
Instance                     : 0
VLANs Configured            : 1-4094
Priority                      : 32768
Bridge Hello Time (sec.)     : 2
Bridge Max. Age (sec.)       : 20
Bridge Forward Delay (sec.)  : 15
Root Hello Time (sec.)       : 2
Root Max. Age (sec.)         : 20
Root Forward Delay (sec.)    : 15
Max. Hops                    : 20
Remaining Hops               : 20
Designated Root              : 32768.0.0001ECF8D8C6
Current Root Port            : 21
Current Root Cost            : 100000
Number of Topology Changes   : 5
Last Topology Change Time (sec.): 11409
Transmission Limit          : 3
Path Cost Method             : Long
Flooding Behavior            : To VLAN
Cisco Prestandard            : Disabled
-----

Eth 1/ 1 Information
-----
Admin Status                 : Enabled
Role                         : Disabled
State                        : Discarding
External Admin Path Cost     : 0
Internal Admin Path Cost     : 0
External Oper Path Cost      : 100000
Internal Oper Path Cost      : 100000
Priority                      : 128
Designated Cost              : 100000
Designated Port              : 128.1
Designated Root              : 32768.0.0001ECF8D8C6
Designated Bridge            : 32768.0.123412341234
Forward Transitions          : 4
Admin Edge Port              : Disabled
Oper Edge Port               : Disabled
Admin Link Type              : Auto
Oper Link Type               : Point-to-point
Flooding Behavior            : Enabled
Spanning-Tree Status        : Enabled
Loopback Detection Status    : Enabled
Loopback Detection Release Mode : Auto
Loopback Detection Trap     : Disabled
Loopback Detection Action    : Block
Root Guard Status           : Disabled
BPDU Guard Status           : Disabled
BPDU Guard Auto Recovery    : Disabled
BPDU Guard Auto Recovery Interval : 300
BPDU Filter Status          : Disabled
TC Propagate Stop           : Disabled

```

```

Restricted TCN                : Disabled
:
:

```

This example shows a brief summary of global and interface setting for the spanning tree.

```

Console#show spanning-tree brief
Spanning Tree Mode           : RSTP
Spanning Tree Enabled/Disabled : Enabled
Designated Root              : 32768.0000E8944000
Current Root Port (Eth)      : 1/24
Current Root Cost             : 10000

Interface Pri Designated      Designated Oper    STP   Role State Oper
              Bridge ID        Port ID  Cost    Status  Role State Edge
-----
Eth 1/ 1  128 32768.0000E89382A0  128.1    100000 EN    DESG FWD  No
Eth 1/ 2  128 32768.0000E89382A0  128.2    10000  EN    DISB BLK  No
Eth 1/ 3  128 32768.0000E89382A0  128.3    10000  EN    DISB BLK  No
Eth 1/ 4  128 32768.0000E89382A0  128.4    10000  EN    DISB BLK  No
Eth 1/ 5  128 32768.0000E89382A0  128.5    10000  EN    DISB BLK  No
:
:

```

show spanning-tree mst configuration

This command shows the configuration of the multiple spanning tree.

Command Mode

Privileged Exec

Example

```

Console#show spanning-tree mst configuration
Mstp Configuration Information
-----
Configuration Name : R&D
Revision Level     :0

Instance VLANs
-----
0    1-4094
Console#

```

show spanning-tree tc-prop

This command shows the configuration of topology change propagation domains.

Syntax

```

show spanning-tree tc-prop [group group-id]
                        group-id - Group identifier. (Range: 1-255)

```

Command Mode

Privileged Exec

Example

```
Console#show spanning-tree tc-prop group 1
  Group 1
    Eth 1/ 1, Eth 1/ 2, Eth 1/ 3, Eth 1/ 4, Eth 1/ 5
Console#
```

VLAN Commands

A VLAN is a group of ports that can be located anywhere in the network, but communicate as though they belong to the same physical segment. This section describes commands used to create VLAN groups, add port members, specify how VLAN tagging is used, and enable automatic VLAN registration for the selected interface.

Table 78: VLAN Commands

Command Group	Function
GVRP and Bridge Extension Commands	Configures GVRP settings that permit automatic VLAN learning; shows the configuration for bridge extension MIB
Editing VLAN Groups	Sets up VLAN groups, including name, VID and state
Configuring VLAN Interfaces	Configures VLAN interface parameters, including ingress and egress tagging mode, ingress filtering, and PVID
Displaying VLAN Information	Displays VLAN groups, status, port members, and MAC addresses
Configuring IEEE 802.1Q Tunneling	Configures 802.1Q Tunneling (QinQ Tunneling)
Configuring L2PT Tunneling¹	Configures Layer 2 Protocol Tunneling (L2PT), either by discarding, processing, or transparently passing control packets across a QinQ tunnel
Configuring VLAN Translation²	Maps VLAN ID between customer and service provider for networks that do not support IEEE 802.1Q tunneling
Configuring Protocol-Based VLANs²	Configures protocol-based VLANs based on frame type and protocol
Configuring IP Subnet VLANs²	Configures IP Subnet-based VLANs
Configuring MAC Based VLANs²	Configures MAC-based VLANs
Configuring Voice VLANs	Configures VoIP traffic detection and enables a Voice VLAN
Configuring Excluded VLANs	Configures excluded VLAN sessions

1 These functions are not compatible.

2 If a packet matches the rules defined by more than one of these functions, only one of them is applied, with the precedence being MAC-based, IP subnet-based, protocol-based, and then native port-based (see the `switchport priority default` command).

GVRP and Bridge Extension Commands

GARP VLAN Registration Protocol defines a way for switches to exchange VLAN information in order to automatically register VLAN members on interfaces across the network. This section describes how to enable GVRP for individual interfaces and globally for the switch, as well as how to display default configuration settings for the Bridge Extension MIB.

Table 79: GVRP and Bridge Extension Commands

Command	Function	Mode
<code>bridge-ext gvrp</code>	Enables GVRP globally for the switch	GC
<code>garp timer</code>	Sets the GARP timer for the selected function	IC
<code>switchport forbidden vlan</code>	Configures forbidden VLANs for an interface	IC
<code>switchport gvrp</code>	Enables GVRP for an interface	IC
<code>show bridge-ext</code>	Shows the global bridge extension configuration	PE
<code>show garp timer</code>	Shows the GARP timer for the selected function	NE, PE
<code>show gvrp configuration</code>	Displays GVRP configuration for the selected interface	NE, PE

bridge-ext gvrp This command enables GVRP globally for the switch. Use the **no** form to disable it.

Syntax

`[no] bridge-ext gvrp`

Default Setting

Disabled

Command Mode

Global Configuration

Command Usage

GVRP defines a way for switches to exchange VLAN information in order to register VLAN members on ports across the network. This function should be enabled to permit automatic VLAN registration, and to support VLANs which extend beyond the local switch.

Example

```
Console(config)#bridge-ext gvrp
Console(config)#
```


garp timer This command sets the values for the join, leave and leaveall timers. Use the **no** form to restore the timers' default values.

Syntax

garp timer {join | leave | leaveall} *timer-value*

no garp timer {join | leave | leaveall}

{join | leave | leaveall} - Timer to set.

timer-value - Value of timer.

Ranges:

join: 20-1000 centiseconds

leave: 60-3000 centiseconds

leaveall: 500-18000 centiseconds

Default Setting

join: 20 centiseconds

leave: 60 centiseconds

leaveall: 1000 centiseconds

Command Mode

Interface Configuration (Ethernet, Port Channel)

Command Usage

- Group Address Registration Protocol is used by GVRP and GMRP to register or deregister client attributes for client services within a bridged LAN. The default values for the GARP timers are independent of the media access method or data rate. These values should not be changed unless you are experiencing difficulties with GMRP or GVRP registration/deregistration.
- Timer values are applied to GVRP for all the ports on all VLANs.
- Timer values must meet the following restrictions:
 - leave > (2 x join)
 - leaveall > leave



Note: Set GVRP timers on all Layer 2 devices connected in the same network to the same values. Otherwise, GVRP may not operate successfully.

Example

```
Console(config)#interface ethernet 1/1
Console(config-if)#garp timer join 100
Console(config-if)#
```

switchport forbidden vlan This command configures forbidden VLANs. Use the **no** form to remove the list of forbidden VLANs.

Syntax

```
switchport forbidden vlan {add vlan-list | remove vlan-list}
```

```
no switchport forbidden vlan
```

add *vlan-list* - List of VLAN identifiers to add.

remove *vlan-list* - List of VLAN identifiers to remove.

vlan-list - Separate nonconsecutive VLAN identifiers with a comma and no spaces; use a hyphen to designate a range of IDs. (Range: 1-4094).

Default Setting

No VLANs are included in the forbidden list.

Command Mode

Interface Configuration (Ethernet, Port Channel)

Command Usage

- This command prevents a VLAN from being automatically added to the specified interface via GVRP using the [switchport gvrp](#) command.
- If a VLAN has been added to the set of allowed VLANs for an interface, then you cannot add it to the set of forbidden VLANs for that same interface.
- GVRP cannot be enabled for ports set to Access mode (see the [switchport mode](#) command).
- This command will not be accepted if the specified VLAN does not exist on the switch.

Example

The following example shows how to prevent port 1 from being added to VLAN 3:

```
Console(config)#interface ethernet 1/1
Console(config-if)#switchport forbidden vlan add 3
Console(config-if)#
```

switchport gvrp This command enables GVRP for a port. Use the **no** form to disable it.

Syntax

```
[no] switchport gvrp
```

Default Setting

Disabled

Command Mode

Interface Configuration (Ethernet, Port Channel)

Command Usage

GVRP cannot be enabled for ports set to Access mode using the [switchport mode](#) command.

Example

```
Console(config)#interface ethernet 1/1
Console(config-if)#switchport gvrp
Console(config-if)#
```

show bridge-ext This command shows the configuration for bridge extension commands.

Default Setting

None

Command Mode

Privileged Exec

Example

```
Console#show bridge-ext
Maximum Supported VLAN Numbers      : 4094
Maximum Supported VLAN ID           : 4094
Extended Multicast Filtering Services : No
Static Entry Individual Port         : Yes
VLAN Version Number                  : 2
VLAN Learning                        : IVL
Configurable PVID Tagging            : Yes
Local VLAN Capable                   : No
Traffic Classes                      : Enabled
Global GVRP Status                   : Disabled
Console#
```

show garp timer This command shows the GARP timers for the selected interface.

Syntax

```
show garp timer [interface]
```

interface

ethernet *unit/port*

unit - Unit identifier.

port - Port number.

port-channel *channel-id*

Default Setting

Shows all GARP timers.

Command Mode

Normal Exec, Privileged Exec

Example

```
Console#show garp timer ethernet 1/1
Eth 1/ 1 GARP Timer Status:
  Join Timer      : 20 centiseconds
  Leave Timer     : 60 centiseconds
  Leave All Timer : 1000 centiseconds

Console#
```

show gvrp configuration This command shows if GVRP is enabled.

Syntax

```
show gvrp configuration [interface]
```

interface

ethernet *unit/port*

unit - Unit identifier.

port - Port number.

port-channel *channel-id*

Default Setting

Shows both global and interface-specific configuration.

Command Mode

Normal Exec, Privileged Exec

Example

```
Console#show gvrp configuration ethernet 1/7
Eth 1/ 7:
  GVRP Configuration : Disabled
Console#
```

Editing VLAN Groups

Table 80: Commands for Editing VLAN Groups

Command	Function	Mode
<code>vlan database</code>	Enters VLAN database mode to add, change, and delete VLANs	GC
<code>vlan</code>	Configures a VLAN, including VID, name and state	VC

vlan database This command enters VLAN database mode. All commands in this mode will take effect immediately.

Default Setting

None

Command Mode

Global Configuration

Command Usage

- Use the VLAN database command mode to add, change, and delete VLANs. After finishing configuration changes, you can display the VLAN settings by entering the `show vlan` command.
- Use the `interface vlan` command mode to define the port membership mode and add or remove ports from a VLAN. The results of these commands are written to the running-configuration file, and you can display this file by entering the `show running-config` command.

Example

```
Console(config)#vlan database
Console(config-vlan)#
```

vlan This command configures a VLAN. Use the **no** form to restore the default settings or delete a VLAN.

Syntax

```
vlan vlan-id [name vlan-name] media ethernet [state {active | suspend}]  
[rspan]
```

```
no vlan vlan-id [name | state]
```

vlan-id - VLAN ID, specified as a single number, a range of consecutive numbers separated by a hyphen, or multiple numbers separated by commas. (Range: 1-4094)

name - Keyword to be followed by the VLAN name.

vlan-name - ASCII string from 1 to 32 characters.

media ethernet - Ethernet media type.

state - Keyword to be followed by the VLAN state.

active - VLAN is operational.

suspend - VLAN is suspended. Suspended VLANs do not pass packets.

rspan - Keyword to create a VLAN used for mirroring traffic from remote switches. The VLAN used for RSPAN cannot include VLAN 1 (the switch's default VLAN). Nor should it include VLAN 4093 (which is used for switch clustering). Configuring VLAN 4093 for other purposes may cause problems in the Clustering operation. For more information on configuring RSPAN through the CLI, see ["RSPAN Mirroring Commands" on page 413](#).



Note: Ports can only be added to an RSPAN VLAN using the commands described under ["RSPAN Mirroring Commands"](#).

Default Setting

By default only VLAN 1 exists and is active.

Command Mode

VLAN Database Configuration

Command Usage

- **no vlan *vlan-id*** deletes the VLAN.
- **no vlan *vlan-id* name** removes the VLAN name.
- **no vlan *vlan-id* state** returns the VLAN to the default state (i.e., active).
- You can configure up to 4094 VLANs on the switch.

Example

The following example adds a VLAN, using VLAN ID 105 and name RD5. The VLAN is activated by default.

```
Console(config)#vlan database
Console(config-vlan)#vlan 105 name RD5 media ethernet
Console(config-vlan)#
```

Configuring VLAN Interfaces

Table 81: Commands for Configuring VLAN Interfaces

Command	Function	Mode
<code>interface vlan</code>	Enters interface configuration mode for a specified VLAN	IC
<code>switchport acceptable-frame-types</code>	Configures frame types to be accepted by an interface	IC
<code>switchport allowed vlan</code>	Configures the VLANs associated with an interface	IC
<code>switchport forbidden vlan</code>	Configures forbidden VLANs for an interface	IC
<code>switchport gvrp</code>	Enables GVRP for an interface	IC
<code>switchport ingress-filtering</code>	Enables ingress filtering on an interface	IC
<code>switchport mode</code>	Configures VLAN membership mode for an interface	IC
<code>switchport native vlan</code>	Configures the PVID (native VLAN) of an interface	IC
<code>vlan-trunking</code>	Allows unknown VLAN groups to pass through a specified interface	IC
<code>switchport priority default</code>	Sets a port priority for incoming untagged frames	IC

interface vlan This command enters interface configuration mode for VLANs, which is used to configure VLAN parameters for a physical interface. Use the **no** form to change a Layer 3 normal VLAN back to a Layer 2 interface.

Syntax

`[no] interface vlan vlan-id`

vlan-id - ID of the configured VLAN. (Range: 1-4094)

Default Setting

None

Command Mode

Global Configuration

Command Usage

- Creating a “normal” VLAN with the `vlan` command initializes it as a Layer 2 interface. To change it to a Layer 3 interface, use the `interface` command to enter interface configuration for the desired VLAN, enter any Layer 3 configuration commands, and save the configuration settings.
- To change a Layer 3 normal VLAN back to a Layer 2 VLAN, use the `no interface` command.

Example

The following example shows how to set the interface configuration mode to VLAN 1, and then assign an IP address to the VLAN:

```
Console(config)#interface vlan 1
Console(config-if)#ip address 192.168.1.254 255.255.255.0
Console(config-if)#
```

switchport acceptable-frame- types

This command configures the acceptable frame types for a port. Use the **no** form to restore the default.

Syntax

switchport acceptable-frame-types {all | tagged}

no switchport acceptable-frame-types

all - The port accepts all frames, tagged or untagged.

tagged - The port only receives tagged frames.

Default Setting

All frame types

Command Mode

Interface Configuration (Ethernet, Port Channel)

Command Usage

When set to receive all frame types, any received frames that are untagged are assigned to the port default VLAN if not matched to a configured MAC VLAN, IP-subnet VLAN, or protocol VLAN.

Example

The following example shows how to restrict the traffic received on port 1 to tagged frames:

```
Console(config)#interface ethernet 1/1
Console(config-if)#switchport acceptable-frame-types tagged
Console(config-if)#
```

switchport allowed vlan

This command configures VLAN groups on the selected interface. Use the **no** form to restore the default.

Syntax

switchport allowed vlan {vlan-list | **add** vlan-list [**tagged** | **untagged** | **double-tagged**] | **remove** vlan-list}

no switchport allowed vlan

vlan-list - If a VLAN list is entered without using the **add** option, the interface is assigned to the specified VLANs, and membership in all previous VLANs is removed. The interface is added as an untagged member if **switchport mode** is set to hybrid or access, or as a tagged member if **switchport mode** is set to trunk.

Separate nonconsecutive VLAN identifiers with a comma and no spaces; use a hyphen to designate a range of IDs. (Range: 1-4094).

add *vlan-list* - List of VLAN identifiers to add. When the **add** option is used, the interface is assigned to the specified VLANs, and membership in all previous VLANs is retained.

tagged - Adds a port as a tagged member of a VLAN.

untagged - Adds a port as an untagged member of a VLAN.

double-tagged - Adds a port as a double-tagged member of a VLAN.

remove *vlan-list* - List of VLAN identifiers to remove.

Default Setting

All ports are assigned to VLAN 1 by default.
The default frame type is untagged.

Command Mode

Interface Configuration (Ethernet, Port Channel)

Command Usage

- If a port or trunk has **switchport mode** set to **access**, then only one VLAN can be added with this command. If a VLAN list is specified, only the last VLAN in the list will be added to the interface.
- If a port or trunk has **switchport mode** set to **trunk** (i.e., 1 Q Trunk), then you can only assign the interface to VLAN groups as a tagged member.
- Frames are always tagged within the switch. The **tagged/untagged** parameter used when adding a VLAN to an interface tells the switch whether to keep or remove the tag from a frame on egress.
- If none of the intermediate network devices nor the host at the other end of the connection supports VLANs, the interface should be added to these VLANs as an untagged member. Otherwise, it is only necessary to add at most one VLAN as untagged, and this should correspond to the native VLAN for the interface.
- If a VLAN on the forbidden list for an interface is manually added to that interface, the VLAN is automatically removed from the forbidden list for that interface.
- Ports can only be added to an RSPAN VLAN using the commands described under ["RSPAN Mirroring Commands"](#).

Example

The following example shows how to add VLANs 1, 2, 5 and 6 to the allowed list as tagged VLANs for port 1:

```
Console(config)#interface ethernet 1/1
Console(config-if)#switchport allowed vlan add 1,2,5,6 tagged
Console(config-if)#
```

switchport ingress-filtering

This command enables ingress filtering for an interface. Use the **no** form to restore the default.

Syntax

[no] switchport ingress-filtering

Default Setting

Enabled

Command Mode

Interface Configuration (Ethernet, Port Channel)

Command Usage

- If ingress filtering is disabled and a port receives frames classified to VLANs for which it is not a member, these frames will be flooded to all other ports that are members of the VLANs.
- If ingress filtering is enabled and a port receives frames classified to VLANs for which it is not a member, these frames will be discarded.
- Ingress filtering does not affect VLAN independent BPDU frames, such as GVRP or STA. However, they do affect VLAN dependent BPDU frames, such as GMRP.
- Ingress filtering cannot be enabled for a port if the port does not join the PVID VLAN.
- Ingress filtering cannot be disabled for a port if loopback detection on the port is active. (Both global and per port are enabled.)

Example

The following example shows how to set the interface to port 1 and then enable ingress filtering:

```
Console(config)#interface ethernet 1/1
Console(config-if)#switchport ingress-filtering
Console(config-if)#
```

switchport mode This command configures the VLAN membership mode for a port. Use the **no** form to restore the default.

Syntax

switchport mode {access | hybrid | trunk}

no switchport mode

access - Specifies an access VLAN interface. The port transmits and receives untagged frames on a single VLAN only.

hybrid - Specifies a hybrid VLAN interface. The port may transmit tagged or untagged frames.

trunk - Specifies a port as an end-point for a VLAN trunk. A trunk is a direct link between two switches, so the port transmits tagged frames that identify the source VLAN. Note that frames belonging to the port's default VLAN (i.e., associated with the PVID) are also transmitted as tagged frames.

Default Setting

All ports are in hybrid mode with the PVID set to VLAN 1.

Command Mode

Interface Configuration (Ethernet, Port Channel)

Example

The following shows how to set the configuration mode to port 1, and then set the switchport mode to hybrid:

```
Console(config)#interface ethernet 1/1
Console(config-if)#switchport mode hybrid
Console(config-if)#
```

switchport native vlan This command configures the PVID (i.e., port VLAN ID) for a port. Use the **no** form to restore the default.

Syntax

switchport native vlan *vlan-id*

no switchport native vlan

vlan-id - Default VLAN ID for a port. (Range: 1-4094)

Default Setting

VLAN 1

Command Mode

Interface Configuration (Ethernet, Port Channel)

Command Usage

- When changing the PVID for a port using access mode, the port will automatically join the new PVID VLAN and leave the VLAN which it had joined before.
- When using Access mode, and an interface is assigned to a new VLAN, its PVID is automatically set to the identifier for that VLAN.
- The PVID can be set to any VLAN that the port does not join when using hybrid or trunk mode, and ingress filtering is disabled.
- The PVID can only be set to a VLAN that the port joins when using hybrid or trunk mode, and ingress filtering is enabled.

Example

The following example shows how to set the PVID for port 1 to VLAN 3:

```
Console(config)#interface ethernet 1/1
Console(config-if)#switchport native vlan 3
Console(config-if)#
```

vlan-trunking This command allows unknown VLAN groups to pass through the specified interface. Use the **no** form to disable this feature.

Syntax

[no] vlan-trunking

Default Setting

Disabled

Command Mode

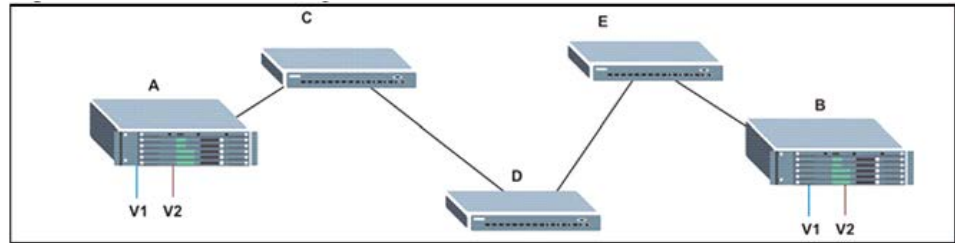
Interface Configuration (Ethernet, Port Channel)

Command Usage

- Use this command to configure a tunnel across one or more intermediate switches which pass traffic for VLAN groups to which they do not belong.

The following figure shows VLANs 1 and 2 configured on switches A and B, with VLAN trunking being used to pass traffic for these VLAN groups across switches C, D and E.

Figure 5: Configuring VLAN Trunking



Without VLAN trunking, you would have to configure VLANs 1 and 2 on all intermediate switches – C, D and E; otherwise these switches would drop any frames with unknown VLAN group tags. However, by enabling VLAN trunking on the intermediate switch ports along the path connecting VLANs 1 and 2, you only need to create these VLAN groups in switches A and B. Switches C, D and E automatically allow frames with VLAN group tags 1 and 2 (groups that are unknown to those switches) to pass through their VLAN trunking ports.

- VLAN trunking is mutually exclusive with the “access” switchport mode (see the [switchport mode](#) command). If VLAN trunking is enabled on an interface, then that interface cannot be set to access mode, and vice versa.
- To prevent loops from forming in the spanning tree, all unknown VLANs will be bound to a single instance (either STP/RSTP or an MSTP instance, depending on the selected STA mode).
- If both VLAN trunking and ingress filtering are disabled on an interface, packets with unknown VLAN tags will still be allowed to enter this interface and will be flooded to all other ports where VLAN trunking is enabled. (In other words, VLAN trunking will still be effectively enabled for the unknown VLAN).

Example

The following example enables VLAN trunking on ports 27 and 28 to establish a path across the switch for unknown VLAN groups:

```
Console(config)#interface ethernet 1/27
Console(config-if)#vlan-trunking
Console(config-if)#interface ethernet 1/28
Console(config-if)#vlan-trunking
Console(config-if)#
```

Displaying VLAN Information

This section describes commands used to display VLAN information.

Table 82: Commands for Displaying VLAN Information

Command	Function	Mode
<code>show interfaces status vlan</code>	Displays status for the specified VLAN interface	NE, PE
<code>show interfaces switchport</code>	Displays the administrative and operational status of an interface	NE, PE
<code>show vlan</code>	Shows VLAN information	NE, PE

show vlan This command shows VLAN information.

Syntax

`show vlan [id vlan-id | name vlan-name]`

id - Keyword to be followed by the VLAN ID.

vlan-id - ID of the configured VLAN. (Range: 1-4094)

name - Keyword to be followed by the VLAN name.

vlan-name - ASCII string from 1 to 32 characters.

Default Setting

Shows all VLANs.

Command Mode

Normal Exec, Privileged Exec

Example

The following example shows how to display information for VLAN 1:

```
Console#show vlan id 1

VLAN ID          : 1
Type             : Static
Name             : DefaultVlan
Status           : Active
Ports/Port Channels : Eth1/ 1(S) Eth1/ 2(S) Eth1/ 3(S) Eth1/ 4(S) Eth1/ 5(S)
                  : Eth1/ 6(S) Eth1/ 7(S) Eth1/ 8(S) Eth1/ 9(S) Eth1/10(S)
                  : Eth1/11(S) Eth1/12(S) Eth1/13(S) Eth1/14(S) Eth1/15(S)
                  : Eth1/16(S) Eth1/17(S) Eth1/18(S)

Remote SPAN VLANs
-----

Console#
```

Configuring IEEE 802.1Q Tunneling

IEEE 802.1Q tunneling (QinQ tunneling) uses a single Service Provider VLAN (SPVLAN) for customers who have multiple VLANs. Customer VLAN IDs are preserved and traffic from different customers is segregated within the service provider's network even when they use the same customer-specific VLAN IDs. QinQ tunneling expands VLAN space by using a VLAN-in-VLAN hierarchy, preserving the customer's original tagged packets, and adding SPVLAN tags to each frame (also called double tagging).

This section describes the commands used to configure QinQ tunneling.

Table 83: 802.1Q Tunneling Commands

Command	Function	Mode
<code>dot1q-tunnel system-tunnel-control</code>	Configures the switch to operate in normal mode or QinQ mode	GC
<code>dot1q-tunnel tpid</code>	Configures the other tag ethertype for QinQ tunneling	GC
<code>switchport dot1q-tunnel mode</code>	Configures the QinQ tunnel port mode of an interface	IC
<code>switchport dot1q-tunnel priority map</code>	Copies inner tag priority to outer tag priority	IC
<code>switchport dot1q-tunnel service match cvid</code>	Creates a CVLAN to SPVLAN mapping entry and optionally replaces the CVLAN	IC
<code>switchport dot1q-tunnel vlan-double-tag cvid</code>	Adds a CVID to untagged frames	IC
<code>show dot1q-tunnel service</code>	Displays tunnel service subscriptions, default discard service, and discarded untagged traffic configuration	PE
<code>show dot1q-tunnel</code>	Displays the configuration of QinQ tunnel ports	PE
<code>show dot1q-tunnel vlan-double-tag</code>	Displays port double-tag CVID configuration	PE
<code>show interfaces switchport</code>	Displays port QinQ operational status	PE

General Configuration Guidelines for QinQ

1. Configure the switch to QinQ mode (`dot1q-tunnel system-tunnel-control`).
2. Create a SPVLAN (`vlan`).
3. Configure the QinQ tunnel access port to dot1Q-tunnel access mode (`switchport dot1q-tunnel mode`).
4. Set the Tag Protocol Identifier (TPID) value of the tunnel access port. This step is required if the attached client is using a nonstandard 2-byte ethertype to identify 802.1Q tagged frames. The standard ethertype value is 0x8100. (See `dot1q-tunnel tpid`.)

5. Configure the QinQ tunnel access port to join the SPVLAN as an untagged member ([switchport allowed vlan](#)).
6. Configure the SPVLAN ID as the native VID on the QinQ tunnel access port ([switchport native vlan](#)).
7. Configure the QinQ tunnel uplink port to dot1Q-tunnel uplink mode ([switchport dot1q-tunnel mode](#)).
8. Configure the QinQ tunnel uplink port to join the SPVLAN as a tagged member ([switchport allowed vlan](#)).

Limitations for QinQ

- The native VLAN for the tunnel uplink ports and tunnel access ports cannot be the same. However, the same service VLANs can be set on both tunnel port types.
- IGMP Snooping should not be enabled on a tunnel access port.
- If the spanning tree protocol is enabled, be aware that a tunnel access or tunnel uplink port may be disabled if the spanning tree structure is automatically reconfigured to overcome a break in the tree. It is therefore advisable to disable spanning tree on these ports.

dot1q-tunnel system-tunnel- control

This command sets the switch to operate in QinQ mode. Use the **no** form to disable QinQ operating mode.

Syntax

```
[no] dot1q-tunnel system-tunnel-control
```

Default Setting

Disabled

Command Mode

Global Configuration

Command Usage

QinQ tunnel mode must be enabled on the switch for QinQ interface settings to be functional.

Example

```
Console(config)#dot1q-tunnel system-tunnel-control  
Console(config)#
```


dot1q-tunnel tpid Use this command to set the global setting for the QinQ outer tag ethertype field. Use the no form of the command to set the ethertype field to the default value.

Syntax

[no] dot1q-tunnel tpid *ethertype*

ethertype – A specific Ethernet protocol number. (Range: 800-ffff hex)

Default Setting

The ethertype is set to 0x8100

Command Mode

Global Configuration

Command Usage

Use the dot1q-tunnel tpid command to set the global custom 802.1Q ethertype. This feature allows the switch to interoperate with third-party switches that do not use the standard 0x8100 ethertype to identify 802.1Q-tagged frames. For example, if 0x1234 is set as the global 802.1Q ethertype, incoming frames on trunk ports containing that ethertype are assigned to the VLAN contained in the tag following the ethertype field. Frames arriving on trunk ports containing any other ethertype are looked upon as untagged frames, and assigned to the native VLAN of the port.

The specified ethertype only applies to ports configured in Uplink mode using the switchport dot1q-tunnel mode command. If the port is in normal mode (i.e, unspecified), the TPID is always 0x8100. If the port is in Access mode, received packets are processed as untagged packets.

Example

```
Console(config)#dot1q-tunnel tpid 0x88A8  
Console(config)#
```

switchport dot1q-tunnel mode This command configures an interface as a QinQ tunnel port. Use the **no** form to disable QinQ on the interface.

Syntax

switchport dot1q-tunnel mode {access | uplink}

no switchport dot1q-tunnel mode

access – Sets the port as an 802.1Q tunnel access port.

uplink – Sets the port as an 802.1Q tunnel uplink port.

Default Setting

Disabled

Command Mode

Interface Configuration (Ethernet, Port Channel)

Command Usage

- QinQ tunneling must be enabled on the switch using the `dot1q-tunnel system-tunnel-control` command before the `switchport dot1q-tunnel mode` interface command can take effect.
- When a tunnel uplink port receives a packet from a customer, the customer tag (regardless of whether there are one or more tag layers) is retained in the inner tag, and the service provider's tag added to the outer tag.
- When a tunnel uplink port receives a packet from the service provider, the outer service provider's tag is stripped off, and the packet passed on to the VLAN indicated by the inner tag. If no inner tag is found, the packet is passed onto the native VLAN defined for the uplink port.

Example

```
Console(config)#interface ethernet 1/1
Console(config-if)#switchport dot1q-tunnel mode access
Console(config-if)#
```

`switchport dot1q-tunnel priority map`

This command copies the inner tag priority to the outer tag priority. Use the `no` form to disable this feature.

Syntax

```
[no] switchport dot1q-tunnel priority map
```

Default Setting

Disabled

Command Mode

Interface Configuration (Ethernet, Port Channel)

Command Usage

When priority bits are found in the inner tag, these are also copied to the outer tag. This allows the service provider to differentiate service based on the indicated priority and appropriate methods of queue management at intermediate nodes across the tunnel.

Example

```
Console(config)#interface ethernet 1/1
Console(config-if)#switchport dot1q-tunnel priority map
Console(config-if)#
```

switchport dot1q-tunnel service match cvid This command creates a CVLAN to SPVLAN mapping entry and optionally replaces the CVLAN. Use the **no** form to delete all VLAN mapping entries or a specified entry.

Syntax

```
switchport dot1q-tunnel service svid match cvid cvid [replace cvid cvid]
```

```
no switchport dot1q-tunnel service [svid [match cvid cvid]]
```

svid - VLAN ID for the outer VLAN tag (Service Provider VID).
(Range: 1-4094)

cvid - VLAN ID for the inner VLAN tag (Customer VID). (Range: 1-4094)

replace - Specifies a VLAN ID to replace the customer VLAN ID.

Default Setting

Default mapping uses the PVID of the ingress port on the edge router for the SPVID.

Command Mode

Interface Configuration (Ethernet)

Command Usage

- The inner VLAN tag of a customer packet entering the edge router of a service provider's network is mapped to an outer tag indicating the service provider VLAN that will carry this traffic across the 802.1Q tunnel. This process is performed in a transparent manner.
- When priority bits are found in the inner tag, these are also copied to the outer tag. This allows the service provider to differentiate service based on the indicated priority and appropriate methods of queue management at intermediate nodes across the tunnel.
- Rather than relying on standard service paths and priority queuing, QinQ VLAN mapping can be used to further enhance service by defining a set of differentiated service pathways to follow across the service provider's network for traffic arriving from specified inbound customer VLANs.
- Note that all customer interfaces should be configured as access interfaces (that is, a user-to-network interface) and service provider interfaces as uplink interfaces (that is, a network-to-network interface). Use the [dot1q-tunnel tpid uplink](#) command to set an interface to access or uplink mode.
- When using the **replace** option to replace a customer VLAN ID, the port must be configured as a double-tagged member of the VLAN using the [switchport allowed vlan](#) command.

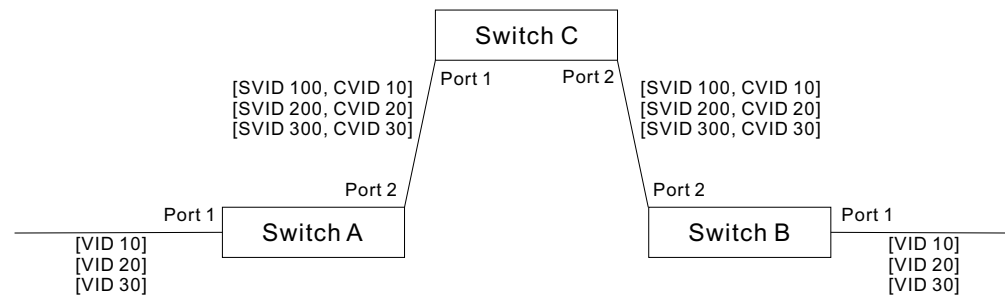
Example

This example sets the SVID to 99 in the outer tag for egress packets exiting port 1 when the packet's CVID is 2.

```
Console(config)#interface ethernet 1/1
Console(config-if)#switchport dot1q-tunnel service 99 match cvid 2
Console(config-if)#
```

The following example maps C-VLAN 10 to S-VLAN 100, C-VLAN 20 to S-VLAN 200 and C-VLAN 30 to S-VLAN 300 for ingress traffic on port 1 of Switches A and B.

Figure 6: Mapping QinQ Service VLAN to Customer VLAN



Step 1. Configure Switch A and B.

1. Create VLANs 100, 200 and 300.

```
Console(config)#vlan database
Console(config-vlan)#vlan 100,200,300 media ethernet state active
```

2. Enable QinQ.

```
Console(config)#dot1q-tunnel system-tunnel-control
```

3. Configure port 2 as a tagged member of VLANs 100, 200 and 300 using uplink mode.

```
Console(config)#interface ethernet 1/2
Console(config-if)#switchport allowed vlan add 100,200,300 tagged
Console(config-if)#switchport dot1q-tunnel mode uplink
```

4. Configures port 1 as an untagged member of VLANs 100, 200 and 300 using access mode.

```
Console(config)#interface ethernet 1/1
Console(config-if)#switchport allowed vlan add 100,200,300 untagged
Console(config-if)#switchport dot1q-tunnel mode access
```

5. Configure the following selective QinQ mapping entries.

```
Console(config)#interface ethernet 1/1
Console(config-if)#switchport dot1q-tunnel service 100 match cvid 10
Console(config-if)#switchport dot1q-tunnel service 200 match cvid 20
Console(config-if)#switchport dot1q-tunnel service 300 match cvid 30
```

6. Configures port 1 as member of VLANs 10, 20 and 30 to avoid filtering out incoming frames tagged with VID 10, 20 or 30 on port 1

```
Console(config)#interface ethernet 1/1
Console(config-if)#switchport allowed vlan add 10,20,30
```

7. Verify configuration settings.

```
Console#show dot1q-tunnel service
802.1Q Tunnel Service Subscriptions
```

Port	Match	C-VID	S-VID
Eth 1/ 3		10	100
Eth 1/ 3		20	200
Eth 1/ 3		30	300

Step 2. Configure Switch C.

1. Create VLAN 100, 200 and 300.

```
Console(config)#vlan database
Console(config-vlan)#vlan 100,200,300 media ethernet state active
```

2. Configure port 1 and port 2 as tagged members of VLAN 100, 200 and 300.

```
Console(config)#interface ethernet 1/1,2
Console(config-if)#switchport allowed vlan add 100,200,300 tagged
```

switchport dot1q-tunnel vlan- double-tag cvid

This command adds a customer VLAN ID to untagged frames. Use the **no** form to remove the configuration.

Syntax

```
switchport dot1q-tunnel vlan-double-tag cvid cv
```

```
no switchport dot1q-tunnel vlan-double-tag
```

cv - VLAN ID for the inner VLAN tag (Customer VID). (Range: 1-4094)

Default Setting

None.

Command Mode

Interface Configuration (Ethernet, Port Channel)

Command Usage

- When a port receives an untagged frame (the frame does not contain any VLAN tag), the switch will label the frame with the port's native VLAN tag (SVID) and insert the specified customer VLAN (CVID).
- The SVID (Native VLAN) and specified VLAN (CVID) will be inserted in the customer frames as they enter the service provider network, and the tags will be stripped when frames leave the service provider network.

- This double-tag function feature can select whether to label the inner VLAN tag, but cannot select the outer VLAN tag, and can only use TPID 0x8100.

Example

```
Console(config)#interface ethernet 1/1
Console(config-if)#switchport dot1q-tunnel vlan-double-tag cvid 101
Console(config-if)#
```

show dot1q-tunnel service This command shows tunnel service subscriptions, default discard service, and discarded untagged traffic configuration.

Syntax

show dot1q-tunnel service [*svid*]

svid - VLAN ID for the outer VLAN tag (SPVID). (Range: 1-4094)

Command Mode

Privileged Exec

Example

```
Console#show dot1q service
802.1Q Tunnel Service Subscriptions

Port      Match C-VID Range S-VID Replace
-----
Eth 1/ 3          10  100
Eth 1/ 3          20  200
Eth 1/ 3          30  300

Console(config)#show dot1q-tunnel service 100
802.1Q Tunnel Service Subscriptions

Port      Match C-VID Range S-VID Replace
-----
Eth 1/ 3          10  100

Console#
```

show dot1q-tunnel This command displays information about QinQ tunnel ports.

Syntax

show dot1q-tunnel [*interface interface*]

interface

ethernet *unit/port*

unit - Unit identifier.

port - Port number.

Command Mode

Privileged Exec

Example

```

Console(config)#dot1q-tunnel system-tunnel-control
Console(config)#interface ethernet 1/1
Console(config-if)#switchport dot1q-tunnel mode access
Console(config-if)#interface ethernet 1/2
Console(config-if)#switchport dot1q-tunnel mode uplink
Console(config-if)#end
Console#show dot1q-tunnel
802.1Q Tunnel Status : Enabled
802.1Q Tunnel TPID   : 8100 (Hex)

Port      Mode      Priority Mapping
-----
Eth 1/ 1  Access Disabled
Eth 1/ 2  Uplink  Disabled
Eth 1/ 3  Normal  Disabled
:
Console#show dot1q-tunnel interface ethernet 1/5
802.1Q Tunnel Service Subscriptions

Port      Match C-VID Range S-VID Replace
-----
Eth 1/ 5          1   100

Console#show dot1q-tunnel service 100
802.1Q Tunnel Service Subscriptions

Port      Match C-VID Range S-VID Replace
-----
Eth 1/ 5          1   100
Eth 1/ 6          1   100

Console#

```

show dot1q-tunnel vlan-double-tag This command shows port double-tag CVID configuration.

Syntax

```
show dot1q-tunnel vlan-double-tag
```

Command Mode

Privileged Exec

Example

```

Console#show dot1q-tunnel vlan-double-tag
802.1Q Tunnel Vlan Stacking Subscriptions

Port      Status  CVlan
-----

```

```
Eth 1/ 1 Enabled 101
Eth 1/ 2 Disabled 0
Eth 1/ 3 Disabled 0
Eth 1/ 4 Disabled 0
Eth 1/ 5 Disabled 0
Eth 1/ 6 Disabled 0
Eth 1/ 7 Disabled 0
.
.
.
.
Console#
```

Configuring L2PT Tunneling

This section describes the commands used to configure Layer 2 Protocol Tunneling (L2PT).

Table 84: L2 Protocol Tunnel Commands

Command	Function	Mode
<code>l2protocol-tunnel tunnel-dmac</code>	Configures the destination address for Layer 2 Protocol Tunneling	GC
<code>switchport l2protocol-tunnel</code>	Enables Layer 2 Protocol Tunneling for the specified protocol	IC
<code>show l2protocol-tunnel</code>	Shows settings for Layer 2 Protocol Tunneling	PE

l2protocol-tunnel tunnel-dmac This command configures the destination address for Layer 2 Protocol Tunneling (L2PT). Use the **no** form to restore the default setting.

Syntax

`l2protocol-tunnel tunnel-dmac mac-address`

`no l2protocol-tunnel tunnel-dmac`

mac-address – The switch rewrites the destination MAC address in all upstream L2PT protocol packets (i.e, STP BPDUs) to this value, and forwards them on to uplink ports. The MAC address must be specified in the format xx-xx-xx-xx-xx-xx or xxxxxxxxxxxx.

The tunnel address can be any multicast address, except for the following:

- IPv4 multicast addresses (with prefix 01-00-5E)
- IPv6 multicast addresses (with prefix 33-33-33)
- Addresses used by the spanning tree protocol.

Default Setting

01-12-CF-.00-00-02, proprietary tunnel address

Command Mode

Global Configuration

Command Usage

- When L2PT is not used, protocol packets (such as STP) are flooded to 802.1Q access ports on the same edge switch, but filtered from 802.1Q tunnel ports. This creates disconnected protocol domains in the customer's network.
- L2PT can be used to pass various types of protocol packets belonging to the same customer transparently across a service provider's network. In this way, normally segregated network segments can be configured to function inside a common protocol domain.
- L2PT encapsulates protocol packets entering ingress ports on the service provider's edge switch, replacing the destination MAC address with a proprietary MAC address (for example, the spanning tree protocol uses 10-12-CF-00-00-02), a reserved address for other specified protocol types (as defined in IEEE 802.1ad – Provider Bridges), or a user-defined address. All intermediate switches carrying this traffic across the service provider's network treat these encapsulated packets in the same way as normal data, forwarding them across to the tunnel's egress port. The egress port decapsulates these packets, restores the proper protocol and MAC address information, and then floods them onto the same VLANs at the customer's remote site (via all of the appropriate tunnel ports and access ports¹³ connected to the same metro VLAN).
- The way in which L2PT processes packets is based on the following criteria – (1) packet is received on a QinQ uplink port, (2) packet is received on a QinQ access port, or (3) received packet is Cisco-compatible L2PT (i.e., as indicated by a proprietary MAC address).

Processing protocol packets defined in IEEE 802.1ad – Provider Bridges

- When an IEEE 802.1ad protocol packet is received on an uplink port (i.e., an 802.1Q tunnel ingress port connecting the edge switch to the service provider network)
 - with the destination address 01-80-C2-00-00-00,0B~0F (C-VLAN tag), it is forwarded to all QinQ uplink ports and QinQ access ports in the same S-VLAN for which L2PT is enabled for that protocol.
 - with the destination address 01-80-C2-00-00-01~0A (S-VLAN tag), it is filtered, decapsulated, and processed locally by the switch if the protocol is supported.
- When a protocol packet is received on an access port (i.e., an 802.1Q trunk port connecting the edge switch to the local customer network)
 - with the destination address 01-80-C2-00-00-00,0B~0F (C-VLAN), and

13. Access ports in this context are 802.1Q trunk ports.

- L2PT is enabled on the port, the frame is forwarded to all QinQ uplink ports and QinQ access ports on which L2PT is enabled for that protocol in the same S-VLAN.
- L2PT is disabled on the port, the frame is decapsulated and processed locally by the switch if the protocol is supported.
- with destination address 01-80-C2-00-00-01~0A (S-VLAN), the frame is filtered, decapsulated, and processed locally by the switch if the protocol is supported.

Processing Cisco-compatible protocol packets

- When a Cisco-compatible L2PT packet is received on an uplink port, and
 - recognized as a CDP/VTP/STP/PVST+ protocol packet (where STP means STP/RSTP/MSTP), it is forwarded to the following ports in the same S-VLAN: (a) all access ports for which L2PT has been disabled, and (b) all uplink ports.
 - recognized as a Generic Bridge PDU Tunneling (GBPT) protocol packet (i.e., having the destination address 01-00-0C-CD-CD-D0), it is forwarded to the following ports in the same S-VLAN:
 - other access ports for which L2PT is enabled after decapsulating the packet and restoring the proper protocol and MAC address information.
 - all uplink ports.
- When a Cisco-compatible L2PT packet is received on an access port, and
 - recognized as a CDP/VTP/STP/PVST+ protocol packet, and
 - L2PT is enabled on this port, it is forwarded to the following ports in the same S-VLAN: (a) other access ports for which L2PT is enabled, and (b) uplink ports after rewriting the destination address to make it a GBPT protocol packet (i.e., setting the destination address to 01-00-0C-CD-CD-D0).
 - L2PT is disabled on this port, it is forwarded to the following ports in the same S-VLAN: (a) other access ports for which L2PT is disabled, and (b) all uplink ports.
 - recognized as a GBPT protocol packet (i.e., having the destination address 01-00-0C-CD-CD-D0), and
 - L2PT is enabled on this port, it is forwarded to other access ports in the same S-VLAN for which L2PT is enabled

- L2PT is disabled on this port, it is forwarded to the following ports in the same S-VLAN: (a) other access ports for which L2PT is disabled, and (b) all uplink ports.
- For L2PT to function properly, QinQ must be enabled on the switch using the `dot1q-tunnel system-tunnel-control` command, and the interface configured to 802.1Q tunnel mode using the `dot1q-tunnel tpid` command.

Example

```
Console(config)#dot1q-tunnel system-tunnel-control
Console(config)#l2protocol-tunnel tunnel-dmac 01-80-C2-00-00-01
Console(config-)#
```

switchport l2protocol-tunnel This command enables Layer 2 Protocol Tunneling (L2PT) for the specified protocol. Use the **no** form to disable L2PT for the specified protocol.

Syntax

```
[no] switchport l2protocol-tunnel {cdp | lacp | lldp | pvst+ | spanning-tree | vtp}
```

cdp - Cisco Discovery Protocol

lacp - Link Aggregation Control Protocol

lldp - Link Layer Discovery Protocol

pvst+ - Cisco Per VLAN Spanning Tree Plus

spanning-tree - Spanning Tree (STP, RSTP, MSTP)

vtp - Cisco VLAN Trunking Protocol

Default Setting

Disabled for all protocols

Command Mode

Interface Configuration (Ethernet, Port Channel)

Command Usage

- Refer to the Command Usage section for the `l2protocol-tunnel tunnel-dmac` command.
- For L2PT to function properly, QinQ must be enabled on the switch using the `dot1q-tunnel system-tunnel-control` command, and the interface configured to 802.1Q tunnel mode using the `dot1q-tunnel tpid` command.

Example

```
Console(config)#dot1q-tunnel system-tunnel-control
Console(config)#interface ethernet 1/1
Console(config-if)#switchport dot1q-tunnel mode access
```

```
Console(config-if)#switchport l2protocol-tunnel spanning-tree  
Console(config-if)#
```

**show
l2protocol-tunnel**

This command shows settings for Layer 2 Protocol Tunneling (L2PT).

Command Mode
Privileged Exec

Example

```
Console#show l2protocol-tunnel  
Layer 2 Protocol Tunnel  
  
Tunnel MAC Address : 01-12-CF-00-00-00  
  
Interface Protocol  
-----  
Eth 1/ 1 Spanning Tree  
  
Console#
```

Configuring VLAN Translation

QinQ tunneling uses double tagging to preserve the customer’s VLAN tags on traffic crossing the service provider’s network. However, if any switch in the path crossing the service provider’s network does not support this feature, then the switches directly connected to that device can be configured to swap the customer’s VLAN ID with the service provider’s VLAN ID for upstream traffic, or the service provider’s VLAN ID with the customer’s VLAN ID for downstream traffic.

This section describes commands used to configure VLAN translation.

Table 85: VLAN Translation Commands

Command	Function	Mode
<code>switchport vlan-translation</code>	Maps VLAN IDs between the customer and service provider	IC
<code>show vlan-translation</code>	Displays the configuration settings for VLAN translation	PE

**switchport
vlan-translation**

This command maps VLAN IDs between the customer and service provider.

Syntax

`switchport vlan-translation [ingress | egress] original-vlan new-vlan`

`no switchport vlan-translation [ingress | egress] original-vlan`

`ingress` - specifies ingress only

egress - specifies egress only

original-vlan - The original VLAN ID. (Range: 1-4094)

new-vlan - The new VLAN ID. (Range: 1-4094)

Default Setting

Disabled

Command Mode

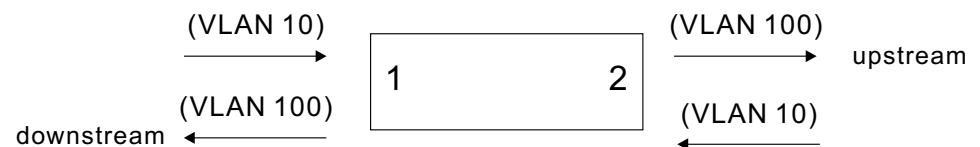
Interface Configuration (Ethernet)

Command Usage

- If the next switch upstream does not support QinQ tunneling, then use this command to map the customer's VLAN ID to the service provider's VLAN ID for the upstream port. Similarly, if the next switch downstream does not support QinQ tunneling, then use this command to map the service provider's VLAN ID to the customer's VLAN ID for the downstream port. Note that one command maps both the *original-vlan* to *new-vlan* for ingress traffic and the *new-vlan* to *original-vlan* for egress traffic on the specified port.

For example, assume that the upstream switch does not support QinQ tunneling. If the command **switchport vlan-translation 10 100** is used to map VLAN 10 to VLAN 100 for upstream traffic entering port 1, and VLAN 100 to VLAN 10 for downstream traffic leaving port 1, then the VLAN IDs will be swapped as shown below.

Figure 7: Configuring VLAN Translation



- The maximum number of VLAN translation entries is 8 per port, and up to 96 for the system. However, note that configuring a large number of entries may degrade the performance of other processes that also use the TCAM, such as IP Source Guard filter rules, Quality of Service (QoS) processes, QinQ, MAC-based VLANs, VLAN translation, or traps.
- If VLAN translation is set on an interface with this command, and the same interface is also configured as a QinQ access port with the `dot1q-tunnel tpid` command, VLAN tag assignments will be determined by the QinQ process, not by VLAN translation.

Example

This example configures VLAN translation for Port 1 as described in the Command Usage section above.

```
Console(config)#vlan database
Console(config-vlan)#vlan 10 media ethernet state active
Console(config-vlan)#vlan 100 media ethernet state active
Console(config-vlan)#exit
```

```
Console(config)#interface ethernet 1/1,2
Console(config-if)#switchport allowed vlan add 10 tagged
Console(config-if)#switchport allowed vlan add 100 tagged
Console(config-if)#interface ethernet 1/1
Console(config-if)#switchport vlan-translation 10 100
Console(config-if)#end
Console#show vlan-translation

Ingress VLAN Translation
Interface Old VID New VID
-----
Eth 1/ 1      10    100

Egress VLAN Translation
Interface Old VID New VID
-----
Eth 1/ 1      100    10

Console#
```

show vlan-translation This command displays the configuration settings for VLAN translation.

Syntax

```
show vlan-translation [egress [interface interface] | ingress
[interface interface] | interface interface]
```

egress - Show configuration settings for egress ports.

ingress - Show configuration settings for ingress ports.

interface

ethernet *unit/port*

unit - Unit identifier.

port - Port number.

Command Mode

Privileged Exec

Example

```
Console#show vlan-translation

Ingress VLAN Translation
Interface Old VID New VID
-----
Eth 1/ 1      10    100
Eth 1/ 2      100    200

Egress VLAN Translation
Interface Old VID New VID
-----
Eth 1/ 1      100    10
Eth 1/ 2      100    200
```

```
Eth 1/ 2      200    10
Console#
```

Configuring Protocol-Based VLANs

The network devices required to support multiple protocols cannot be easily grouped into a common VLAN. This may require non-standard devices to pass traffic between different VLANs in order to encompass all the devices participating in a specific protocol. This kind of configuration deprives users of the basic benefits of VLANs, including security and easy accessibility.

To avoid these problems, you can configure this switch with protocol-based VLANs that divide the physical network into logical VLAN groups for each required protocol. When a frame is received at a port, its VLAN membership can then be determined based on the protocol type in use by the inbound packets.

Table 86: Protocol-Based VLAN Commands

Command	Function	Mode
<code>protocol-vlan protocol-group</code>	Create a protocol group, specifying the supported protocols	GC
<code>protocol-vlan protocol-group</code>	Maps a protocol group to a VLAN	IC
<code>show protocol-vlan protocol-group</code>	Shows the configuration of protocol groups	PE
<code>show interfaces protocol-vlan protocol-group</code>	Shows the interfaces mapped to a protocol group and the corresponding VLAN	PE

To configure protocol-based VLANs, follow these steps:

1. First configure VLAN groups for the protocols you want to use ([page 501](#)). Although not mandatory, we suggest configuring a separate VLAN for each major protocol running on your network. Do not add port members at this time.
2. Create a protocol group for each of the protocols you want to assign to a VLAN using the `protocol-vlan protocol-group` command (Global Configuration mode).
3. Then map the protocol for each interface to the appropriate VLAN using the `protocol-vlan protocol-group` command (Interface Configuration mode).



Note: Traffic which matches IP Protocol Ethernet Frames is mapped to the VLAN that has been configured with the switch's administrative IP interface (default VLAN 1). IP Protocol Ethernet traffic must not be mapped to another VLAN or you will lose administrative network connectivity to the switch. If lost in this manner, network

access can be regained by removing the offending Protocol VLAN rule via the console. Alternately, the switch can be power-cycled, however all unsaved configuration changes will be lost.

**protocol-vlan
protocol-group**
(Configuring Groups)

This command creates a protocol group, or adds specific protocols to a group. Use the **no** form to remove a protocol group.

Syntax

```
protocol-vlan protocol-group group-id [{add | remove}  
frame-type frame protocol-type protocol]
```

```
no protocol-vlan protocol-group group-id
```

group-id - Group identifier of this protocol group.
(Range: 1-2147483647)

*frame*¹⁴ - Frame type used by this protocol. (Options: ethernet, rfc_1042, llc_other)

protocol - Protocol type. The only option for the llc_other frame type is ipx_raw. The options for all other frames types include: arp, ip, ipv6, pppoe-dis, pppoe-ses, rarp.

Default Setting

No protocol groups are configured.

Command Mode

Global Configuration

Example

The following creates protocol group 1, and specifies Ethernet frames with IP and ARP protocol types:

```
Console(config)#protocol-vlan protocol-group 1 add frame-type ethernet  
protocol-type ip  
Console(config)#protocol-vlan protocol-group 1 add frame-type ethernet  
protocol-type arp  
Console(config)#
```

14. SNAP frame types are not supported by this switch due to hardware limitations.

protocol-vlan
protocol-group
(Configuring Interfaces)

This command maps a protocol group to a VLAN for the current interface. Use the **no** form to remove the protocol mapping for this interface.

Syntax

protocol-vlan protocol-group *group-id* **vlan** *vlan-id* [**priority** *priority*]

no protocol-vlan protocol-group *group-id*

group-id - Group identifier of this protocol group. (Range: 1-2147483647)

vlan-id - VLAN to which matching protocol traffic is forwarded.
(Range: 1-4094)

priority - The priority assigned to untagged ingress traffic.
(Range: 0-7, where 7 is the highest priority)

Default Setting

No protocol groups are mapped for any interface.

Priority: 0

Command Mode

Interface Configuration (Ethernet, Port Channel)

Command Usage

- When creating a protocol-based VLAN, only assign interfaces via this command. If you assign interfaces using any of the other VLAN commands (such as the **vlan** command), these interfaces will admit traffic of any protocol type into the associated VLAN.
- When MAC-based, IP subnet-based, and protocol-based VLANs are supported concurrently, priority is applied in this sequence, and then port-based VLANs last.
- When a frame enters a port that has been assigned to a protocol VLAN, it is processed in the following manner:
 - If the frame is tagged, it will be processed according to the standard rules applied to tagged frames.
 - If the frame is untagged and the protocol type matches, the frame is forwarded to the appropriate VLAN.
 - If the frame is untagged but the protocol type does not match, the frame is forwarded to the default VLAN for this interface.

Example

The following example maps the traffic entering Port 1 which matches the protocol type specified in protocol group 1 to VLAN 2.

```
Console(config)#interface ethernet 1/1
Console(config-if)#protocol-vlan protocol-group 1 vlan 2 priority 0
Console(config-if)#
```

show protocol-vlan protocol-group

This command shows the frame and protocol type associated with protocol groups.

Syntax

```
show protocol-vlan protocol-group [group-id] [sort-by-type]
```

group-id - Group identifier for a protocol group. (Range: 1-2147483647)

sort-by-type - Sort display information by frame type and protocol type.

Default Setting

All protocol groups are displayed.

Command Mode

Privileged Exec

Example

This shows protocol group 1 configured for IP over Ethernet:

```
Console#show protocol-vlan protocol-group

Protocol Group ID   Frame Type   Protocol Type
-----
                  1           ethernet    08 00
Console#
```

show interfaces protocol-vlan protocol-group

This command shows the mapping from protocol groups to VLANs for the selected interfaces.

Syntax

```
show interfaces protocol-vlan protocol-group [interface]
```

interface

ethernet *unit/port*

unit - Unit identifier.

port - Port number.

port-channel *channel-id*

Default Setting

The mapping for all interfaces is displayed.

Command Mode

Privileged Exec

Example

This shows that traffic entering Port 1 that matches the specifications for protocol group 1 will be mapped to VLAN 2:

```

Console#show interfaces protocol-vlan protocol-group
Port      Protocol Group ID VLAN ID Priority
-----
Eth 1/1 1          2      1
Console#
  
```

Configuring IP Subnet VLANs

When using IEEE 802.1Q port-based VLAN classification, all untagged frames received by a port are classified as belonging to the VLAN whose VID (PVID) is associated with that port.

When IP subnet-based VLAN classification is enabled, the source address of untagged ingress frames are checked against the IP subnet-to-VLAN mapping table. If an entry is found for that subnet, these frames are assigned to the VLAN indicated in the entry. If no IP subnet is matched, the untagged frames are classified as belonging to the receiving port's VLAN ID (PVID).

Table 87: IP Subnet VLAN Commands

Command	Function	Mode
<code>subnet-vlan</code>	Defines the IP Subnet VLANs	GC
<code>show subnet-vlan</code>	Displays IP Subnet VLAN settings	PE

subnet-vlan This command configures IP Subnet VLAN assignments. Use the **no** form to remove an IP subnet-to-VLAN assignment.

Syntax

subnet-vlan subnet *ip-address mask* **vlan** *vlan-id* [**priority** *priority*]

no subnet-vlan subnet {*ip-address mask* | **all**}

ip-address – The IP address that defines the subnet. Valid IP addresses consist of four decimal numbers, 0 to 255, separated by periods.

mask – This mask identifies the host address bits of the IP subnet.

vlan-id – VLAN to which matching IP subnet traffic is forwarded.
(Range: 1-4094)

priority – The priority assigned to untagged ingress traffic. (Range: 0-7,
where 7 is the highest priority)

Default Setting

Priority: 0

Command Mode

Global Configuration

Command Usage

- Each IP subnet can be mapped to only one VLAN ID. An IP subnet consists of an IP address and a subnet mask. The specified VLAN need not be an existing VLAN.
- When an untagged frame is received by a port, the source IP address is checked against the IP subnet-to-VLAN mapping table, and if an entry is found, the corresponding VLAN ID is assigned to the frame. If no mapping is found, the PVID of the receiving port is assigned to the frame.
- The IP subnet cannot be a broadcast or multicast IP address.
- When MAC-based, IP subnet-based, or protocol-based VLANs are supported concurrently, priority is applied in this sequence, and then port-based VLANs last.

Example

The following example assigns traffic for the subnet 192.168.12.192, mask 255.255.255.224, to VLAN 4.

```
Console(config)#subnet-vlan subnet 192.168.12.192 255.255.255.224 vlan 4
Console(config)#
```

show subnet-vlan This command displays IP Subnet VLAN assignments.

Command Mode

Privileged Exec

Command Usage

- Use this command to display subnet-to-VLAN mappings.
- The last matched entry is used if more than one entry can be matched.

Example

The following example displays all configured IP subnet-based VLANs.

```

Console#show subnet-vlan
IP Address      Mask                VLAN ID  Priority
-----
192.168.12.0    255.255.255.128    1        0
192.168.12.128 255.255.255.192    3        0
192.168.12.192 255.255.255.224    4        0
192.168.12.224 255.255.255.240    5        0
192.168.12.240 255.255.255.248    6        0
192.168.12.248 255.255.255.252    7        0
192.168.12.252 255.255.255.254    8        0
192.168.12.254 255.255.255.255    9        0
192.168.12.255 255.255.255.255    10       0
Console#

```

Configuring MAC Based VLANs

When using IEEE 802.1Q port-based VLAN classification, all untagged frames received by a port are classified as belonging to the VLAN whose VID (PVID) is associated with that port.

When MAC-based VLAN classification is enabled, the source address of untagged ingress frames are checked against the MAC address-to-VLAN mapping table. If an entry is found for that address, these frames are assigned to the VLAN indicated in the entry. If no MAC address is matched, the untagged frames are classified as belonging to the receiving port's VLAN ID (PVID).

Table 88: MAC Based VLAN Commands

Command	Function	Mode
<code>mac-vlan</code>	Defines the IP Subnet VLANs	GC
<code>show mac-vlan</code>	Displays IP Subnet VLAN settings	PE

mac-vlan This command configures MAC address-to-VLAN mapping. Use the **no** form to remove an assignment.

Syntax

mac-vlan mac-address *mac-address* [**mask** *mask-address*] **vlan** *vlan-id* [**priority** *priority*]

no mac-vlan mac-address {*mac-address* [**mask** *mask-address*] | **all**}

mac-address – The source MAC address to be matched. Configured MAC addresses can only be unicast addresses. The MAC address must be specified in the format *xx-xx-xx-xx-xx-xx* or *xxxxxxxxxx*.

mask-address - Identifies a range of MAC addresses. The mask can be specified in the format *xx-xx-xx-xx-xx-xx* or *xxxxxxxxxxxx*, where an equivalent binary value "1" means relevant and "0" means ignore.

vlan-id – VLAN to which the matching source MAC address traffic is forwarded. (Range: 1-4094)

priority – The priority assigned to untagged ingress traffic. (Range: 0-7, where 7 is the highest priority)

Default Setting

None

Command Mode

Global Configuration

Command Usage

- The MAC-to-VLAN mapping applies to all ports on the switch.
- Source MAC addresses can be mapped to only one VLAN ID.
- Configured MAC addresses cannot be broadcast or multicast addresses.
- When MAC-based, IP subnet-based, and protocol-based VLANs are supported concurrently, priority is applied in this sequence, and then port-based VLANs last.

- The binary equivalent mask matching the characters in the front of the first non-zero character must all be 1s (e.g., 111, i.e., it cannot be 101 or 001...). A mask for the MAC address: 00-50-6e-00-5f-b1 translated into binary:
MAC: 00000000-01010000-01101110-00000000-01011111-10110001
could be: 11111111-11xxxxx-xxxxxxx-xxxxxxx-xxxxxxx-xxxxxxx
So the mask in hexadecimal for this example could be:
ff-fx-xx-xx-xx-xx/ff-c0-00-00-00-00/ff-e0-00-00-00-00

Example

The following example assigns traffic from source MAC address 00-00-00-11-22-33 to VLAN 10.

```
Console(config)#mac-vlan mac-address 00-00-00-11-22-33 mask FF-FF-FF-FF-00-00
vlan 10
Console(config)#
```

show mac-vlan This command displays MAC address-to-VLAN assignments.

Command Mode

Privileged Exec

Command Usage

Use this command to display MAC address-to-VLAN mappings.

Example

The following example displays all configured MAC address-based VLANs.

```

Console#show mac-vlan
MAC Address          Mask                VLAN ID  Priority
-----
00-E0-4C-68-14-79  FF-FF-FF-FF-FF-FF    100      0
Console#

```

Configuring Voice VLANs

The switch allows you to specify a Voice VLAN for the network and set a CoS priority for the VoIP traffic. VoIP traffic can be detected on switch ports by using the source MAC address of packets, or by using LLDP (IEEE 802.1AB) to discover connected VoIP devices. When VoIP traffic is detected on a configured port, the switch automatically assigns the port to the Voice VLAN. Alternatively, switch ports can be manually configured.

Table 89: Voice VLAN Commands

Command	Function	Mode
<code>voice vlan</code>	Defines the Voice VLAN ID	GC
<code>voice vlan aging</code>	Configures the aging time for Voice VLAN ports	GC
<code>voice vlan mac-address</code>	Configures VoIP device MAC addresses	GC
<code>switchport voice vlan</code>	Sets the Voice VLAN port mode	IC
<code>switchport voice vlan priority</code>	Sets the VoIP traffic priority for ports	IC
<code>switchport voice vlan rule</code>	Sets the automatic VoIP traffic detection method for ports	IC
<code>switchport voice vlan security</code>	Enables Voice VLAN security on ports	IC
<code>show voice vlan</code>	Displays Voice VLAN settings	PE

voice vlan This command enables VoIP traffic detection and defines the Voice VLAN ID. Use the **no** form to disable the Voice VLAN.

Syntax

voice vlan *voice-vlan-id*

no voice vlan

voice-vlan-id - Specifies the voice VLAN ID. (Range: 1-4094)

Default Setting

Disabled

Command Mode

Global Configuration

Command Usage

- When IP telephony is deployed in an enterprise network, it is recommended to isolate the Voice over IP (VoIP) network traffic from other data traffic. Traffic isolation helps prevent excessive packet delays, packet loss, and jitter, which results in higher voice quality. This is best achieved by assigning all VoIP traffic to a single VLAN.
- VoIP traffic can be detected on switch ports by using the source MAC address of packets, or by using LLDP (IEEE 802.1AB) to discover connected VoIP devices. When VoIP traffic is detected on a configured port, the switch automatically assigns the port as a tagged member of the Voice VLAN.
- Only one Voice VLAN is supported and it must already be created on the switch before it can be specified as the Voice VLAN.
- The Voice VLAN ID cannot be modified when the global auto-detection status is enabled (see the [switchport voice vlan](#) command).

Example

The following example enables VoIP traffic detection and specifies the Voice VLAN ID as 1234.

```
Console(config)#voice vlan 1234  
Console(config)#
```


voice vlan aging This command sets the Voice VLAN ID time out. Use the **no** form to restore the default.

Syntax

voice vlan aging *minutes*

no voice vlan

minutes - Specifies the port Voice VLAN membership time out.
(Range: 5-43200 minutes)

Default Setting

1440 minutes

Command Mode

Global Configuration

Command Usage

The Voice VLAN aging time is the time after which a port is removed from the Voice VLAN when VoIP traffic is no longer received on the port.

The VoIP aging time starts to count down when the OUI's MAC address expires from the MAC address table. Therefore, the MAC address aging time should be added to the overall aging time. For example, if you configure the MAC address table aging time to 30 seconds, and voice VLAN aging time to 5 minutes, then after 5.5 minutes, a port will be removed from the voice VLAN when VoIP traffic is no longer received on the port. Alternatively, if you clear the MAC address table manually, then the switch will also start counting down the voice VLAN aging time.

Note that when the `switchport voice vlan` command is set to auto mode, the remaining aging time displayed by the `show voice vlan` command will be displayed. Otherwise, if the `switchport voice vlan` command is disabled or set to manual mode, the remaining aging time will display "NA."

Example

The following example configures the Voice VLAN aging time as 3000 minutes.

```
Console(config)#voice vlan aging 3000
Console(config)#
```

voice vlan mac-address This command specifies MAC address ranges to add to the OUI Telephony list. Use the **no** form to remove an entry from the list.

Syntax

```
voice vlan mac-address mac-address mask mask-address  
[description description]
```

```
no voice vlan mac-address mac-address mask mask-address
```

mac-address - Defines a MAC address OUI that identifies VoIP devices in the network. (Format: xx-xx-xx-xx-xx-xx or xxxxxxxxxxxx; for example, 01-23-45-00-00-00)

mask-address - Identifies a range of MAC addresses. (Range: 80-00-00-00-00-00 to FF-FF-FF-FF-FF-FF)

description - User-defined text that identifies the VoIP devices. (Range: 1-30 characters)

Default Setting

None

Command Mode

Global Configuration

Command Usage

- VoIP devices attached to the switch can be identified by the manufacturer's Organizational Unique Identifier (OUI) in the source MAC address of received packets. OUI numbers are assigned to manufacturers and form the first three octets of device MAC addresses. The MAC OUI numbers for VoIP equipment can be configured on the switch so that traffic from these devices is recognized as VoIP.
- Setting a mask of FF-FF-FF-00-00-00 identifies all devices with the same OUI (the first three octets). Other masks restrict the MAC address range. Setting a mask of FF-FF-FF-FF-FF-FF specifies a single MAC address.

Example

The following example adds a MAC OUI to the OUI Telephony list.

```
Console(config)#voice vlan mac-address 00-12-34-56-78-90 mask ff-ff-ff-00-00-00  
00 description "A new phone"  
Console(config)#
```

switchport voice vlan This command specifies the Voice VLAN mode for ports. Use the **no** form to disable the Voice VLAN feature on the port.

Syntax

switchport voice vlan {manual | auto}

no switchport voice vlan

manual - The Voice VLAN feature is enabled on the port, but the port must be manually added to the Voice VLAN.

auto - The port will be added as a tagged member to the Voice VLAN when VoIP traffic is detected on the port.

Default Setting

Disabled

Command Mode

Interface Configuration

Command Usage

- When auto is selected, you must select the method to use for detecting VoIP traffic, either OUI or 802.1AB (LLDP) using the [switchport voice vlan rule](#) command. When OUI is selected, be sure to configure the MAC address ranges in the Telephony OUI list using the [voice vlan mac-address](#) command.
- All ports are set to VLAN hybrid mode by default. Prior to enabling VoIP for a port (by setting the VoIP mode to Auto or Manual as described below), ensure that VLAN membership is not set to access mode using the [switchport mode](#) command.

Example

The following example sets port 1 to Voice VLAN auto mode.

```
Console(config)#interface ethernet 1/1
Console(config-if)#switchport voice vlan auto
Console(config-if)#
```

switchport voice vlan priority This command specifies a CoS priority for VoIP traffic on a port. Use the **no** form to restore the default priority on a port.

Syntax

switchport voice vlan priority *priority-value*

no switchport voice vlan priority

priority-value - The CoS priority value. (Range: 0-6)

Default Setting

6

Command Mode

Interface Configuration

Command Usage

Specifies a CoS priority to apply to the port VoIP traffic on the Voice VLAN. The priority of any received VoIP packet is overwritten with the new priority when the Voice VLAN feature is active for the port.

Example

The following example sets the CoS priority to 5 on port 1.

```
Console(config)#interface ethernet 1/1
Console(config-if)#switchport voice vlan priority 5
Console(config-if)#
```

switchport voice vlan rule This command selects a method for detecting VoIP traffic on a port. Use the **no** form to disable the detection method on the port.

Syntax

[no] **switchport voice vlan rule** {oui | lldp}

oui - Traffic from VoIP devices is detected by the Organizationally Unique Identifier (OUI) of the source MAC address.

lldp - Uses LLDP to discover VoIP devices attached to the port.

Default Setting

OUI: Enabled

LLDP: Disabled

Command Mode

Interface Configuration

Command Usage

- When OUI is selected, be sure to configure the MAC address ranges in the Telephony OUI list (see the [voice vlan mac-address](#) command). MAC address OUI numbers must be configured in the Telephony OUI list so that the switch recognizes the traffic as being from a VoIP device.
- LLDP checks that the “telephone bit” in the system capability TLV is turned on. See [“LLDP Commands” on page 708](#) for more information on LLDP.

Example

The following example enables the OUI method on port 1 for detecting VoIP traffic.

```
Console(config)#interface ethernet 1/1
Console(config-if)#switchport voice vlan rule oui
Console(config-if)#
```

switchport voice vlan security This command enables security filtering for VoIP traffic on a port. Use the **no** form to disable filtering on a port.

Syntax

[no] **switchport voice vlan security**

Default Setting

Disabled

Command Mode

Interface Configuration

Command Usage

- Security filtering discards any non-VoIP packets received on the port that are tagged with the voice VLAN ID. VoIP traffic is identified by source MAC addresses configured in the Telephony OUI list, or through LLDP that discovers VoIP devices attached to the switch. Packets received from non-VoIP sources are dropped.
- When enabled, be sure the MAC address ranges for VoIP devices are configured in the Telephony OUI list ([voice vlan mac-address](#)).

Example

The following example enables security filtering on port 1.

```
Console(config)#interface ethernet 1/1
Console(config-if)#switchport voice vlan security
Console(config-if)#
```

show voice vlan This command displays the Voice VLAN settings on the switch and the OUI Telephony list.

Syntax

show voice vlan {oui | status}

oui - Displays the OUI Telephony list.

status - Displays the global and port Voice VLAN settings.

Default Setting

None

Command Mode

Privileged Exec

Command Usage

When the `switchport voice vlan` command is set to auto mode, the remaining aging time displayed by the `show voice vlan` command will be displayed (or "Not Start" will be displayed). Otherwise, if the `switchport voice vlan` command is disabled or set to manual mode, the remaining aging time will display "NA."

Example

```
Console#show voice vlan status
Global Voice VLAN Status
Voice VLAN Status      : Enabled
Voice VLAN ID         : 1234
Voice VLAN aging time : 1440 minutes

Voice VLAN Port Summary
Port      Mode      Security Rule      Priority Remaining Age
              (minutes)
-----
Eth 1/ 1 Auto      Enabled OUI                6 100
Eth 1/ 2 Disabled Disabled OUI                6 NA
Eth 1/ 3 Manual   Enabled OUI                5 100
Eth 1/ 4 Auto      Disabled OUI                6 Not Start
Eth 1/ 5 Disabled Disabled OUI                6 NA
Eth 1/ 6 Disabled Disabled OUI                6 NA
Eth 1/ 7 Disabled Disabled OUI                6 NA
Eth 1/ 8 Disabled Disabled OUI                6 NA
Eth 1/ 9 Disabled Disabled OUI                6 NA
Eth 1/10 Disabled Disabled OUI                6 NA

Console#show voice vlan oui
OUI Address      Mask      Description
-----
00-12-34-56-78-9A FF-FF-FF-00-00-00 old phones
00-11-22-33-44-55 FF-FF-FF-00-00-00 new phones
00-98-76-54-32-10 FF-FF-FF-FF-FF-FF Chris' phone

Console#
```

Configuring Excluded VLANs

Excluded VLANs provide port-based security and isolation between ports within an assigned session. An Excluded VLAN session contains Uplink ports that can communicate with all other ports in the session, and Downlink ports that can only communicate with Uplink ports in the session. The Uplink ports are intended to provide open access to an external network, such as the Internet, while the Downlink ports provide restricted access to local users.

Table 90: Excluded VLAN Commands

Command	Function	Mode
<code>excluded-vlan</code>	Configures an excluded VLAN session, including VLANs, uplink and downlink ports	GC
<code>show excluded-vlan</code>	Displays the configured excluded VLANs	PE

excluded-vlan This command configures an excluded VLAN session, including the VLAN ID, uplink ports, and downlink ports. Use the **no** form of the command to remove an excluded VLAN session.

Syntax

`[no] excluded-vlan [session session-id] [vlan-id [vlan-mask]] {uplink interface-list [downlink interface-list] | downlink interface-list}`

session-id - Specifies the session ID. (Range: 1-4)

vlan-id - Specifies a VLAN ID. (Range: 1-4094)

vlan-mask - Specifies a binary bitmask that is applied to the VLAN ID to define a range of VLANs. When a bit of the VLAN Mask is 1, the value of the corresponding bit of the VLAN ID remains the same. When a bit of configured VLAN Mask is 0, the value of the corresponding bit of the VLAN ID is ignored. For example, a VLAN ID of 1 (000000000001) with a VLAN Mask of 4092 (111111111100) defines a range of VLAN IDs of 1-3. A VLAN Mask of 4095 (111111111111) defines a single VLAN ID. (Range: 0-4095)

interface-list -

ethernet *unit/port-list*

unit - Unit identifier.

port-list - Physical port number or list of port numbers. Separate nonconsecutive port numbers with a comma and no spaces; or use a hyphen to designate a range of port numbers.

port-channel *channel-id*

Default Setting

No sessions configured.

Command Mode

Global Configuration

Command Usage

- An Excluded VLAN session consists of defined Downlink ports, Uplink ports, and VLANs. Up to 4 Excluded VLAN sessions can be configured on the switch, and up to 8 VLANs can be included in each session.
- Packets from a Downlink port can only be forwarded to Uplink ports in the same session.
- Packets from Uplink ports can be forwarded to any ports in the same session.
- Uplink and Dowlink interfaces can include configured port trunks.
- A specified Uplink or Dowlink interface can only be assigned to one Excluded VLAN session, it cannot be configured for multiple sessions at the same time.

Example

```
Console(config)#excluded-vlan session 1 5 4095 uplink ethernet 1/6 downlink
ethernet 1/5

Console(config)#
```

show excluded-vlan This command displays the configured excluded VLANs on the switch.

Syntax

```
show excluded-vlan
```

Command Mode

Privileged Exec

Example

```
Console#show excluded-vlan

  Session  Uplink Ports          Downlink Ports          VLANs
-----
      1    Ethernet 1/6        Ethernet 1/5            5/4095

Console#
```


23

ERPS Commands

The G.8032 recommendation, also referred to as Ethernet Ring Protection Switching (ERPS), can be used to increase the availability and robustness of Ethernet rings.

This chapter describes commands used to configure ERPS.

Table 91: ERPS Commands

Command	Function	Mode
<code>erps</code>	Enables ERPS globally on the switch	GC
<code>erps node-id</code>	Sets the MAC address for a ring node	GC
<code>erps vlan-group</code>	Creates ERPS VLAN groups to assign to rings or instances	GC
<code>erps ring</code>	Creates a physical ERPS ring and enters ERPS Ring Configuration mode	GC
<code>erps instance</code>	Creates an ERPS instance and enters ERPS Instance Configuration mode	GC
<code>ring-port</code>	Configures a node's connection to the ring through the east or west interface	ERPS Ring
<code>exclusion-vlan</code>	Specifies the VLANs to be excluded from the ERPS protection ring.	ERPS Ring
<code>enable (ring)</code>	Activates the current ERPS ring	ERPS Ring
<code>enable (instance)</code>	Activates the current ERPS instance	ERPS Inst
<code>meg-level</code>	Sets the Maintenance Entity Group level for a ring	ERPS Inst
<code>control-vlan</code>	Adds a Control VLAN to an ERPS ring	ERPS Inst
<code>rpl owner</code>	Configures a ring node to be the RPL owner	ERPS Inst
<code>rpl neighbor</code>	Configures a ring node to be the RPL neighbor	ERPS Inst
<code>wtr-timer</code>	Sets timer to verify that the ring has stabilized before blocking the RPL after recovery from a signal failure	ERPS Inst
<code>guard-timer</code>	Sets the timer to prevent ring nodes from receiving outdated R-APS messages	ERPS Inst
<code>holdoff-timer</code>	Sets the timer to filter out intermittent link faults	ERPS Inst
<code>major-ring</code>	Specifies the ERPS ring used for sending control packets	ERPS Inst
<code>propagate-tc</code>	Enables propagation of topology change messages from a secondary ring to the primary ring	ERPS Inst
<code>bpdu-tcn-notify</code>	Enables the transmission of TCN BPDUs on an EPRS instance	ERPS Inst
<code>non-revertive</code>	Enables non-revertive mode, which requires the protection state on the RPL to manually cleared	ERPS Inst

Table 91: ERPS Commands (Continued)

Command	Function	Mode
<code>raps-def-mac</code>	Sets the switch's MAC address to be used as the node identifier in R-APS messages	ERPS Inst
<code>raps-without-vc</code>	Terminates the R-APS channel at the primary ring to sub-ring interconnection nodes	ERPS Inst
<code>version</code>	Specifies compatibility with ERPS version 1 or 2	ERPS Inst
<code>inclusion-vlan</code>	Specifies the VLAN groups to be included in the ERPS protection ring.	ERPS Inst
<code>physical-ring</code>	Associates an ERPS instance with an existing physical ring	ERPS Inst
<code>erps forced-switch</code>	Blocks the specified ring port	PE
<code>erps manual-switch</code>	Blocks the specified ring port, in the absence of a failure or an <code>erps forced-switch</code> command	PE
<code>erps clear</code>	Manually clears protection state which has been invoked by a Forced Switch or Manual Switch command, and the node is operating under non-revertive mode; or before the WTR or WTB timer expires when the node is operating in revertive mode	PE
<code>clear erps statistics</code>	Clears statistics for all ERPS instances or a specific instance	PE
<code>show erps statistics</code>	Displays statistics for all configured instances, or for a specified instance	PE
<code>show erps</code>	Displays status information for all configured VLAN groups, rings, or instances.	PE

Configuration Guidelines for ERPS

1. Create an ERPS ring: Create a ring using the `erps ring` command. The ring name is used as an index in the G.8032 database.
2. Configure the east and west interfaces: Each node on the ring connects to it through two ring ports. Use the `ring-port` command to configure one port connected to the next node in the ring to the east (or clockwise direction); and then use the `ring-port` command again to configure another port facing west in the ring.
3. Configure VLAN groups to assign to specific ERPS instances using the `erps vlan-group` command.
4. Configure ERPS instances using the `erps instance` command and then associate the instances to a configured ring using the `physical-ring` command.
5. Configure the RPL owner: Configure one node in the ring as the Ring Protection Link (RPL) owner using the `rpl owner` command. When this switch is configured as the RPL owner, the west ring port is set as being connected to the RPL. Under normal operations (Idle state), the RPL is blocked to ensure that a loop cannot form in the ring. If a signal failure brings down any other link in the ring, the RPL will be unblocked (Protection state) to ensure proper connectivity among all ring nodes until the failure is recovered.

6. Configure ERPS timers: Use the `guard-timer` command to set the timer is used to prevent ring nodes from receiving outdated R-APS messages, the `holdoff-timer` command to filter out intermittent link faults, and the `wtr-timer` command to verify that the ring has stabilized before blocking the RPL after recovery from a signal failure.
7. Configure the ERPS Control VLAN (CVLAN): Use the `control-vlan` command to create the VLAN used to pass R-APS ring maintenance commands. The CVLAN must NOT be configured with an IP address. In addition, only ring ports may be added to the CVLAN (prior to configuring the VLAN as a CVLAN). No other ports can be members of this VLAN (once set as a CVLAN). Also, the ring ports of the CVLAN must be tagged. Failure to observe these restrictions can result in a loop in the network.
8. Enable ERPS: Before enabling a ring as described in the next step, first use the `erps` command to globally enable ERPS on the switch. If ERPS has not yet been enabled or has been disabled with the `no erps` command, no ERPS rings will work.
9. Enable ERPS rings and instances: Before an ERPS ring can work, it must be enabled using the `enable (ring)` command and specific instances enabled using the `enable (instance)` command. When configuration is completed and the ring enabled, R-APS messages will start flowing in the control VLAN, and normal traffic will begin to flow in the data VLANs. To stop a ring, it can be disabled on any node using the `no enable (ring)` command.
10. Display ERPS status information: Use the `show erps statistics` command to display general ERPS status information or detailed ERPS status information for a specific ring.

erps This command enables ERPS on the switch. Use the **no** form to disable this feature.

Syntax

```
[no] erps
```

Default Setting

Disabled

Command Mode

Global Configuration

Command Usage

ERPS must be enabled globally on the switch before it can be enabled on an ERPS ring using the `enable (ring)` command.

Example

```
Console(config)#erps
Console(config)#
```

erps node-id This command sets the MAC address for a ring node. Use the **no** form to restore the default setting.

Syntax

erps node-id *mac-address*

no erps node-id

mac-address – A MAC address unique to the ring node. The MAC address must be specified in the format xx-xx-xx-xx-xx-xx or xxxxxxxxxxxx.

Default Setting

CPU MAC address

Command Mode

Global Configuration

Command Usage

- The ring node identifier is used to identify a node in R-APS messages for both automatic and manual switching recovery operations.

For example, a node that has one ring port in SF condition and detects that the condition has been cleared, will continuously transmit R-APS (NR) messages with its own Node ID as priority information over both ring ports, informing its neighbors that no request is present at this node. When another recovered node holding the link blocked receives this message, it compares the Node ID information with its own. If the received R-APS (NR) message has a higher priority, this unblocks its ring ports. Otherwise, the block remains unchanged.

- The node identifier may also be used for debugging, such as to distinguish messages when a node is connected to more than one ring.

Example

```
Console(config)#node-id 00-12-CF-61-24-2D
Console(config)#
```

erps vlan-group This command creates or modifies an ERPS VLAN group. Use the **no** form of this command to remove VLANs from a VLAN group or to delete a VLAN group.

Syntax

erps vlan-group *vlan-group-name* {**add**|**remove**} *vlan-list*

no erps vlan-group *vlan-group-name*

vlan-group-name – Name of the VLAN group. (Range: 1-12 characters).

add – Adds VLANs to a group.

remove – Deletes VLANs from a group.

vlan-list – A single VLAN ID, a list of VLAN IDs separated by commas, or a range of VLANs defined by two VLAN IDs separated by a hyphen.

Default Setting

None

Command Mode

Global Configuration

Command Usage

- A set of VLANs in an Ethernet ring can be grouped into several subsets and applied to an ERPS instance.
- A VLAN group configuration is allowed to be deleted only if all associations are removed

Example

```
Console(config)#erps vlan-group alpha add 2
Console(config)#
```

erps ring This command creates a physical ERPS ring and enters ERPS configuration mode for the specified ring. Use the **no** form to delete a physical ring.

Syntax

[**no**] **erps ring** *ring-name*

ring-name - Name of a specific ERPS ring. (Range: 1-12 characters)

Default Setting

None

Command Mode

Global Configuration

Command Usage

- The switch can support ERPS rings up to half the number of physical ports on the switch.

Example

```
Console(config)#erps ring campus1
Console(config-erps-ring)#
```

erps instance This command creates an ERPS instance and enters ERPS instance configuration mode. Use the **no** form to delete an ERPS instance.

Syntax

erps instance *instance-name* [**id** *ring-id*]

no erps instance *instance-name*

instance-name - Name of a specific ERPS instance. (Range: 1-12 characters)

ring-id - ERPS ring identifier used in R-APS messages. (Range: 1-255)

Default Setting

None

Command Mode

Global Configuration

Command Usage

- Service Instances within each ring are based on a unique maintenance association for the specific users, distinguished by the ring name, maintenance level, maintenance association's name, and assigned VLAN. The maximum number of ERPS instances that can be configured on the switch is equal to the total number of physical ports.
- R-APS information is carried in an R-APS PDUs. The last octet of the MAC address is designated as the Ring ID (01-19-A7-00-00-[Ring ID]). If use of the default MAC address is disabled with the **no raps-def-mac** command, then the Ring ID configured by the **erps instance** command will be used in R-APS PDUs.
- You must disable a running instance before modifying a Ring ID.

Example

```
Console(config)#erps instance r&d id 1
Console(config-erps-inst)#
```

ring-port This command configures a node's connection to the ring through the east or west interface. Use the **no** form to disassociate a node from the ring.

Syntax

ring-port {**east** | **west**} **interface** *interface*

no ring-port {**east** | **west**}

east - Connects to next ring node to the east.

west - Connects to next ring node to the west.

interface

ethernet *unit/port*

unit - Unit identifier.

port - Port number.

port-channel *channel-id*

Default Setting

Not associated

Command Mode

ERPS Ring Configuration

Command Usage

- Each node must be connected to two neighbors on the ring. For convenience, the ports connected are referred to as east and west ports. Alternatively, the closest neighbor to the east should be the next node in the ring in a clockwise direction, and the closest neighbor to the west should be the next node in the ring in a counter-clockwise direction.
- Note that a ring port cannot be configured as a member of a spanning tree, a dynamic trunk, or a static trunk.
- If a port channel (static trunk) is specified as a ring port, it can not be destroyed before it is removed from the domain configuration.
- A static trunk will be treated as a signal fault, if it contains no member ports or all of its member ports are in signal fault.
- If a static trunk is configured as a ring port prior to assigning any member ports, spanning tree will be disabled for the first member port assigned to the static trunk.

Example

```
Console(config-erps-ring)#ring-port east interface ethernet 1/12
Console(config-erps-ring)#
```

exclusion-vlan Use this command to specify VLAN groups that are to be on the exclusion list of a physical ERPS ring. Use the **no** form of the command to remove VLAN groups from the list.

Syntax

[no] **inclusion-vlan** *vlan-group-name*

vlan-group-name - Name of the VLAN group. (Range: 1-12 characters)

Default Setting

None

Command Mode

ERPS Ring Configuration

Command Usage

- VLANs that are on the exclusion list are **not** protected by the ERPS ring.
- Any VLAN not listed on either the inclusion or exclusion list will be blocked on ring ports.
- Use the [show erps statistics](#) command to view the exclusion-vlan list of VLAN IDs.
- Traffic from control VLANs, inclusion VLANs, and exclusion VLANs of an ERPS ring will be forwarded by non-ERPS ring ports.

Example

```
Console(config-erps)#exclusion-vlan vlgroup3
Console(config-erps)#
```

enable (ring) This command activates the current ERPS ring. Use the **no** form to disable the current ring.

Syntax

[no] **enable**

Default Setting

Disabled

Command Mode

ERPS Ring Configuration

Command Usage

- Before enabling a ring, the global ERPS function should be enabled with the [erps](#) command, the east and west ring ports configured on each node with the

`ring-port` command, the RPL owner specified with the `rpl owner` command, and the control VLAN configured with the `control-vlan` command.

- Once enabled, the RPL owner node and non-owner node state machines will start, and the ring will enter idle state if no signal failures are detected.

Example

```
Console(config-erps-ring)#enable
Console(config-erps-ring)#
```

enable (instance) This command activates the current ERPS instance. Use the **no** form to disable the current instance.

Syntax

`[no] enable`

Default Setting

Disabled

Command Mode

ERPS Instance Configuration

Command Usage

- Before enabling an instance, the global ERPS function should be enabled with the `erps` command, the ring enabled with the `enable (ring)` command, the east and west ring ports configured on each node with the `ring-port` command, the RPL owner specified with the `rpl owner` command, and the control VLAN configured with the `control-vlan` command.
- Once enabled, the RPL owner node and non-owner node state machines will start, and the instance will enter idle state if no signal failures are detected.

Example

```
Console(config-erps-inst)#enable
Console(config-erps-inst)#
```

meg-level This command sets the Maintenance Entity Group level for an instance. Use the **no** form to restore the default setting.

Syntax

`meg-level level`

`no meg-level`

level - The maintenance entity group (MEG) level which provides a communication channel for ring automatic protection switching (R-APS) information. (Range: 0-7)

Default Setting

1

Command Mode

ERPS Instance Configuration

Command Usage

- This parameter is used to ensure that received R-APS PDUs are directed for this instance. A unique level should be configured for each local instance if there are many R-APS PDUs passing through this switch.

Example

```
Console(config-erps)#meg-level 0
Console(config-erps)#
```

control-vlan This command specifies a dedicated VLAN used for sending and receiving ERPS protocol messages. Use the **no** form to remove the Control VLAN.

Syntax

control-vlan *vlan-id*

no control-vlan

vlan-id - VLAN ID (Range: 1-4094)

Default Setting

None

Command Mode

ERPS Instance Configuration

Command Usage

- The Control VID must be included in one of inclusion VLAN groups.
- Configure one control VLAN for each ERPS instance. First create the VLAN to be used as the control VLAN ([vlan](#), [page 501](#)), add the VLAN to an ERPS VLAN group ([erps vlan-group](#)), add the ring ports for the east and west interface as tagged members to this VLAN ([switchport allowed vlan](#), [page 504](#)), and then use the [control-vlan](#) command to add it to the ERPS instance.
- The following restrictions are recommended to avoid creating a loop in the network or other problems which may occur under some situations:

- The Control VLAN must not be configured as a Layer 3 interface (with an IP address), nor as a dynamic VLAN (with GVRP enabled).
- In addition, only ring ports may be added to the Control VLAN. No other ports can be members of this VLAN.
- Also, the ring ports of the Control VLAN must be tagged.
- Once the instance has been activated with the `enable (instance)` command, the configuration of the control VLAN cannot be modified. Use the `no enable (ring)` command to stop the ERPS instance before making any configuration changes to the control VLAN.

Example

```

Console(config)#vlan database
Console(config-vlan)#vlan 2 name rdc media ethernet state active
Console(config-vlan)#exit
Console(config)#interface ethernet 1/12
Console(config-if)#switchport allowed vlan add 2 tagged
Console(config-if)#interface ethernet 1/11
Console(config-if)#switchport allowed vlan add 2 tagged
Console(config-if)#exit
Console(config)#erps vlan-group alpha add 2
Console(config)#erps instance rd1
Console(config-erps-inst)#control-vlan 2
Console(config-erps-inst)#

```

rpl owner This command configures a ring node to be the Ring Protection Link (RPL) owner. Use the `no` form to restore the default setting.

Syntax

`rpl owner`

`no rpl`

Default Setting

None (that is, neither owner nor neighbor)

Command Mode

ERPS Instance Configuration

Command Usage

- Only one RPL owner can be configured on an instance. The owner blocks traffic on the RPL during Idle state, and unblocks it during Protection state (that is, when a signal fault is detected on the instance or the protection state is enabled with the `erps forced-switch` or `erps manual-switch` command).
- The east and west connections to the instance must be specified for all ring nodes using the `ring-port` command. When this switch is configured as the RPL owner, the west ring port is automatically set as being connected to the RPL.

Example

```
Console(config-erps-inst)#rpl owner
Console(config-erps-inst)#
```

rpl neighbor This command configures a ring node to be the Ring Protection Link (RPL) neighbor. Use the **no** form to restore the default setting.

Syntax

rpl neighbor

no rpl

Default Setting

None (that is, neither owner nor neighbor)

Command Mode

ERPS Instance Configuration

Command Usage

- The RPL neighbor node, when configured, is a ring node adjacent to the RPL that is responsible for blocking its end of the RPL under normal conditions (i.e., the instance is established and no requests are present in the instance) in addition to the block at the other end by the RPL Owner Node. The RPL neighbor node may participate in blocking or unblocking its end of the RPL, but is not responsible for activating the reversion behavior.
- Only one RPL owner can be configured on an instance. If the switch is set as the RPL owner for an ERPS ring, the west ring port is set as one end of the RPL. If the switch is set as the RPL neighbor for an ERPS ring, the east ring port is set as the other end of the RPL.
- The east and west connections to the ring must be specified for all ring nodes using the [ring-port](#) command. When this switch is configured as the RPL neighbor, the east ring port is set as being connected to the RPL.
- Note that it is not mandatory to declare an RPL neighbor.

Example

```
Console(config-erps-inst)#rpl neighbor
Console(config-erps-inst)#
```

wtr-timer This command sets the wait-to-restore timer which is used to verify that the ring has stabilized before blocking the RPL after recovery from a signal failure. Use the **no** form to restore the default setting.

Syntax

wtr-timer *minutes*

no wtr-timer

minutes - The wait-to-restore timer is used to verify that the ring has stabilized before blocking the RPL after recovery from a signal failure.
(Range: 1-12 minutes)

Default Setting

5 minutes

Command Mode

ERPS Instance Configuration

Command Usage

If the switch goes into ring protection state due to a signal failure, after the failure condition is cleared, the RPL owner will start the wait-to-restore timer and wait until it expires to verify that the ring has stabilized before blocking the RPL and returning to the Idle (normal operating) state.

Example

```
Console(config-erps-inst)#wtr-timer 10
Console(config-erps-inst)#
```

guard-timer This command sets the guard timer to prevent ring nodes from receiving outdated R-APS messages. Use the **no** form to restore the default setting.

Syntax

guard-timer *milliseconds*

no guard-timer

milliseconds - The guard timer is used to prevent ring nodes from receiving outdated R-APS messages. During the duration of the guard timer, all received R-APS messages are ignored by the ring protection control process, giving time for old messages still circulating on the ring to expire.
(Range: 10-2000 milliseconds, in steps of 10 milliseconds)

Default Setting

500 milliseconds

Command Mode

ERPS Instance Configuration

Command Usage

The guard timer duration should be greater than the maximum expected forwarding delay for an R-APS message to pass around the ring. A side-effect of the guard timer is that during its duration, a node will be unaware of new or existing ring requests transmitted from other nodes.

Example

```
Console(config-erps-inst)#guard-timer 300
Console(config-erps-inst)#
```

holdoff-timer This command sets the timer to filter out intermittent link faults. Use the **no** form to restore the default setting.

Syntax

holdoff-timer *milliseconds*

no holdoff-timer

milliseconds - The hold-off timer is used to filter out intermittent link faults. Faults will only be reported to the ring protection mechanism if this timer expires. (Range: 0-10000 milliseconds, in steps of 100 milliseconds)

Default Setting

0 milliseconds

Command Mode

ERPS Instance Configuration

Command Usage

In order to coordinate timing of protection switches at multiple layers, a hold-off timer may be required. Its purpose is to allow, for example, a server layer protection switch to have a chance to fix the problem before switching at a client layer.

When a new defect or more severe defect occurs (new Signal Failure), this event will not be reported immediately to the protection switching mechanism if the provisioned hold-off timer value is non-zero. Instead, the hold-off timer will be started. When the timer expires, whether a defect still exists or not, the timer will be checked. If one does exist, that defect will be reported to the protection switching mechanism. The reported defect need not be the same one that started the timer.

Example

```
Console(config-erps-inst)#holdoff-timer 300
Console(config-erps-inst)#
```

major-ring This command specifies the ERPS ring used for sending control packets. Use the **no** form to remove the current setting.

Syntax

major-ring *instance-name*

no major-ring

instance-name - Name of the ERPS instance used for sending control packets. (Range: 1-12 characters)

Default Setting

None

Command Mode

ERPS Instance Configuration

Command Usage

- ERPS control packets can only be sent on one instance. This command is used to indicate that the current instance is a secondary ring, and to specify the major instance which will be used to send ERPS control packets.
- The Ring Protection Link (RPL) is the west port and can not be configured. So the physical port on a secondary instance must be the west port. In other words, if a domain has two physical ring ports, this instance can only be a major ring, not a secondary ring (or sub-domain) which can have only one physical ring port. This command will therefore fail if the east port is already configured (see the [ring-port](#) command).

Example

```
Console(config-erps-inst)#major-domain rd0
Console(config-erps-inst)#
```

propagate-tc This command enables propagation of topology change messages for a secondary ring to the primary ring. Use the **no** form to disable this feature.

Syntax

[no] **propagate-tc**

Default Setting

Disabled

Command Mode

ERPS Instance Configuration

Command Usage

- When a secondary ring detects a topology change, it can pass a message about this event to the major ring. When the major ring receives this kind of message from a secondary ring, it can clear the MAC addresses on its ring ports to help the secondary ring restore its connections more quickly through protection switching.
- When the MAC addresses are cleared, data traffic may flood onto the major ring. The data traffic will become stable after the MAC addresses are learned again. The major ring will not be broken, but the bandwidth of data traffic on the major ring may suffer for a short period of time due to this flooding behavior.

Example

```
Console(config-erps-inst)#propagate-tc
Console(config-erps-inst)#
```

bpdu-tcn-notify This command configures an ERPS instance to send BPDU TCN notifications. Use the **no** form of this command to disable BPDU TCN notifications.

Syntax

```
[no] bpdu-tcn-notify
```

Default Setting

Disabled

Command Mode

ERPS Instance Configuration

Command Usage

When enabled, Spanning Tree topology change notification (TCN) BPDUs are transmitted when an ERPS forwarding database (FDB) flush occurs on a ring instance.

Example

```
Console(config-erps-inst)#bpdu-tcn-notify
Console(config-erps-inst)#
```

non-revertive This command enables non-revertive mode, which requires the protection state on the RPL to manually cleared. Use the **no** form to restore the default revertive mode.

Syntax

```
[no] non-revertive
```


Default Setting

Disabled

Command Mode

ERPS Instance Configuration

Command Usage

- Revertive behavior allows the switch to automatically return the RPL from Protection state to Idle state through the exchange of protocol messages.

Non-revertive behavior for Protection, Forced Switch, and Manual Switch states are basically the same. Non-revertive behavior requires the [erps clear](#) command to be used to return the RPL from Protection state to Idle state.

- Recovery for Protection Switching – A ring node that has one or more ring ports in an SF (Signal Fail) condition, upon detecting the SF condition cleared, keeps at least one of its ring ports blocked for the traffic channel and for the R-APS channel, until the RPL is blocked as a result of ring protection reversion, or until there is another higher priority request (e.g., an SF condition) in the ring.

A ring node that has one ring port in an SF condition and detects the SF condition cleared, continuously transmits the R-APS (NR – no request) message with its own Node ID as the priority information over both ring ports, informing that no request is present at this ring node and initiates a guard timer. When another recovered ring node (or nodes) holding the link block receives this message, it compares the Node ID information with its own Node ID. If the received R-APS (NR) message has the higher priority, this ring node unblocks its ring ports. Otherwise, the block remains unchanged. As a result, there is only one link with one end blocked.

The ring nodes stop transmitting R-APS (NR) messages when they accept an R-APS (NR, RB – RPL Blocked), or when another higher priority request is received.

- Recovery with Revertive Mode – When all ring links and ring nodes have recovered and no external requests are active, reversion is handled in the following way:
 - a. The reception of an R-APS (NR) message causes the RPL Owner Node to start the WTR (Wait-to-Restore) timer.
 - b. The WTR timer is cancelled if during the WTR period a higher priority request than NR is accepted by the RPL Owner Node or is declared locally at the RPL Owner Node.
 - c. When the WTR timer expires, without the presence of any other higher priority request, the RPL Owner Node initiates reversion by blocking its traffic channel over the RPL, transmitting an R-APS (NR, RB) message over both ring ports, informing the ring that the RPL is blocked, and performing a flush FDB action.
 - d. The acceptance of the R-APS (NR, RB) message causes all ring nodes to unblock any blocked non-RPL link that does not have an SF condition.

If it is an R-APS (NR, RB) message without a DNF (do not flush) indication, all ring nodes flush the FDB.

- Recovery with Non-revertive Mode – In non-revertive operation, the ring does not automatically revert when all ring links and ring nodes have recovered and no external requests are active. Non-revertive operation is handled in the following way:
 - a. The RPL Owner Node does not generate a response on reception of an R-APS (NR) messages.
 - b. When other healthy ring nodes receive the NR (Node ID) message, no action is taken in response to the message.
 - c. When the operator issues the `erps clear` command for non-revertive mode at the RPL Owner Node, the non-revertive operation is cleared, the RPL Owner Node blocks its RPL port, and transmits an R-APS (NR, RB) message in both directions, repeatedly.
 - d. Upon receiving an R-APS (NR, RB) message, any blocking node should unblock its non-failed ring port. If it is an R-APS (NR, RB) message without a DNF indication, all ring nodes flush the FDB.
- Recovery for Forced Switching – An `erps forced-switch` command is removed by issuing the `erps clear` command to the same ring node where Forced Switch mode is in effect. The clear command removes any existing local operator commands, and triggers reversion if the ring is in revertive behavior mode.

The ring node where the Forced Switch was cleared keeps the ring port blocked for the traffic channel and for the R-APS channel, due to the previous Forced Switch command. This ring port is kept blocked until the RPL is blocked as a result of ring protection reversion, or until there is another higher priority request (e.g., an SF condition) in the ring.

The ring node where the Forced Switch was cleared continuously transmits the R-APS (NR) message on both ring ports, informing other nodes that no request is present at this ring node. The ring nodes stop transmitting R-APS (NR) messages when they accept an RAPS (NR, RB) message, or when another higher priority request is received.

If the ring node where the Forced Switch was cleared receives an R-APS (NR) message with a Node ID higher than its own Node ID, it unblocks any ring port which does not have an SF condition and stops transmitting R-APS (NR) message over both ring ports.

- Recovery with revertive mode is handled in the following way:
 - a. The reception of an R-APS (NR) message causes the RPL Owner Node to start the WTB timer.
 - b. The WTB timer is canceled if during the WTB period a higher priority request than NR is accepted by the RPL Owner Node or is declared locally at the RPL Owner Node.

- c. When the WTB timer expires, in the absence of any other higher priority request, the RPL Owner Node initiates reversion by blocking the traffic channel over the RPL, transmitting an R-APS (NR, RB) message over both ring ports, informing the ring that the RPL is blocked, and flushes the FDB.
 - d. The acceptance of the R-APS (NR, RB) message causes all ring nodes to unblock any blocked non-RPL that does not have an SF condition. If it is an R-APS (NR, RB) message without a DNF indication, all ring nodes flush their FDB. This action unblocks the ring port which was blocked as a result of an operator command.
- Recovery with non-revertive mode is handled in the following way:
 - a. The RPL Owner Node, upon reception of an R-APS(NR) message and in the absence of any other higher priority request does not perform any action.
 - b. Then, after the operator issues the `erps clear` command at the RPL Owner Node, this ring node blocks the ring port attached to the RPL, transmits an R-APS (NR, RB) message on both ring ports, informing the ring that the RPL is blocked, and flushes its FDB.
 - c. The acceptance of the R-APS (NR, RB) message triggers all ring nodes to unblock any blocked non-RPL which does not have an SF condition. If it is an R-APS (NR, RB) message without a DNF indication, all ring nodes flush their FDB. This action unblocks the ring port which was blocked as result of an operator command.
 - Recovery for Manual Switching – An `erps manual-switch` command is removed by issuing the `erps clear` command at the same ring node where the Manual Switch is in effect. The clear command removes any existing local operator commands, and triggers reversion if the ring is in revertive behavior mode.

The ring node where the Manual Switch was cleared keeps the ring port blocked for the traffic channel and for the R-APS channel, due to the previous Manual Switch command. This ring port is kept blocked until the RPL is blocked as a result of ring protection reversion, or until there is another higher priority request (e.g., an SF condition) in the ring.

The Ethernet Ring Node where the Manual Switch was cleared continuously transmits the R-APS (NR) message on both ring ports, informing that no request is present at this ring node. The ring nodes stop transmitting R-APS (NR) messages when they accept an RAPS (NR, RB) message, or when another higher priority request is received.

If the ring node where the Manual Switch was cleared receives an R-APS (NR) message with a Node ID higher than its own Node ID, it unblocks any ring port which does not have an SF condition and stops transmitting R-APS (NR) message on both ring ports.

- Recovery with revertive mode is handled in the following way:
 - a. The RPL Owner Node, upon reception of an R-APS (NR) message and in the absence of any other higher priority request, starts the WTB timer

and waits for it to expire. While the WTB timer is running, any latent R-APS (MS) message is ignored due to the higher priority of the WTB running signal.

- b. When the WTB timer expires, it generates the WTB expire signal. The RPL Owner Node, upon reception of this signal, initiates reversion by blocking the traffic channel on the RPL, transmitting an R-APS (NR, RB) message over both ring ports, informing the ring that the RPL is blocked, and flushes its FDB.
 - c. The acceptance of the R-APS (NR, RB) message causes all ring nodes to unblock any blocked non-RPL that does not have an SF condition. If it is an R-APS (NR, RB) message without a DNF indication, all Ethernet Ring Nodes flush their FDB. This action unblocks the ring port which was blocked as a result of an operator command.
- Recovery with non-revertive mode is handled in the following way:
 - a. The RPL Owner Node, upon reception of an R-APS (NR) message and in the absence of any other higher priority request does not perform any action.
 - b. Then, after the operator issues the `erps clear` command at the RPL Owner Node, this ring node blocks the ring port attached to the RPL, transmits an R-APS (NR, RB) message over both ring ports, informing the ring that the RPL is blocked, and flushes its FDB.
 - c. The acceptance of the R-APS (NR, RB) message triggers all ring nodes to unblock any blocked non-RPL which does not have an SF condition. If it is an R-APS (NR, RB) message without a DNF indication, all ring nodes flush their FDB. This action unblocks the ring port which was blocked as result of an operator command.

Example

```
Console(config-erps-inst)#non-revertive
Console(config-erps-inst)#
```

raps-def-mac This command sets the switch's MAC address to be used as the node identifier in R-APS messages. Use the **no** form to use the node identifier specified in the G8032 standards.

Syntax

```
[no] raps-def-mac
```

Default Setting

Enabled

Command Mode

ERPS Instance Configuration

Command Usage

- When ring nodes running ERPSv1 and ERPSv2 co-exist on the same ring, the Ring ID of each ring node must be configured as "1".
- If this command is disabled, the following strings are used as the node identifier:
 - ERPSv1: 01-19-A7-00-00-01
 - ERPSv2: 01-19-A7-00-00-[Ring ID]

Example

```
Console(config-erps-inst)#raps-def-mac
Console(config-erps-inst)#
```

raps-without-vc This command terminates the R-APS channel at the primary ring to sub-ring interconnection nodes. Use the **no** form to restore the default setting.

Syntax

[no] raps-without-vc

Default Setting

R-APS with Virtual Channel

Command Mode

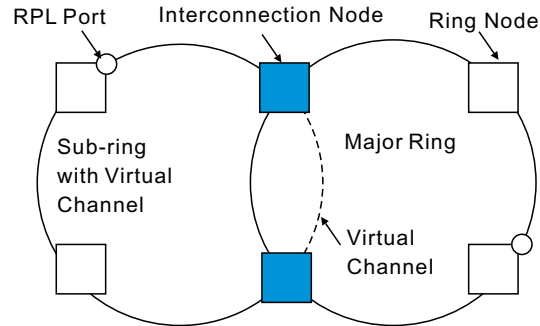
ERPS Instance Configuration

Command Usage

- A sub-ring may be attached to a primary ring with or without a virtual channel. A virtual channel is used to connect two interconnection points on the sub-ring, tunneling R-APS control messages across an arbitrary Ethernet network topology. If a virtual channel is not used to cross the intermediate Ethernet network, data in the traffic channel will still flow across the network, but the all R-APS messages will be terminated at the interconnection points.
- Sub-ring with R-APS Virtual Channel – When using a virtual channel to tunnel R-APS messages between interconnection points on a sub-ring, the R-APS virtual channel may or may not follow the same path as the traffic channel over the network. R-APS messages that are forwarded over the sub-ring’s virtual channel are broadcast or multicast over the interconnected network. For this reason the broadcast/multicast domain of the virtual channel should be limited to the necessary links and nodes. For example, the virtual channel could span only the interconnecting rings or sub-rings that are necessary for forwarding R-APS messages of this sub-ring. Care must also be taken to ensure that the local RAPS messages of the sub-ring being transported over the virtual channel into the interconnected network can be uniquely distinguished from those of other interconnected ring R-APS messages. This can be achieved by, for example, by using separate VIDs for the virtual channels of different sub-rings.

Note that the R-APS virtual channel requires a certain amount of bandwidth to forward R-APS messages on the interconnected Ethernet network where a sub-ring is attached. Also note that the protection switching time of the sub-ring may be affected if R-APS messages traverse a long distance over an R-APS virtual channel.

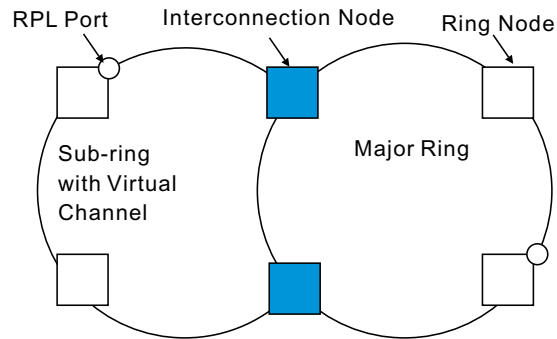
Figure 8: Sub-ring with Virtual Channel



- Sub-ring without R-APS Virtual Channel – Under certain circumstances it may not be desirable to use a virtual channel to interconnect the sub-ring over an arbitrary Ethernet network. In this situation, the R-APS messages are terminated on the interconnection points. Since the sub-ring does not provide an R-APS channel nor R-APS virtual channel beyond the interconnection points, R-APS channel blocking is not employed on the normal ring links to avoid channel segmentation. As a result, a failure at any ring link in the sub-ring will cause the R-APS channel of the sub-ring to be segmented, thus preventing R-APS message exchange between some of the sub-ring's ring nodes.

No R-APS messages are inserted or extracted by other rings or sub-rings at the interconnection nodes where a sub-ring is attached. Hence there is no need for either additional bandwidth or for different VIDs/Ring IDs for the ring interconnection. Furthermore, protection switching time for a sub-ring is independent from the configuration or topology of the interconnected rings. In addition, this option always ensures that an interconnected network forms a tree topology regardless of its interconnection configuration. This means that it is not necessary to take precautions against forming a loop which is potentially composed of a whole interconnected network.

Figure 9: Sub-ring without Virtual Channel



Example

```
Console(config-erps-inst)#raps-without-vc
Console(config-erps-inst)#
```

version This command specifies compatibility with ERPS version 1 or 2.

Syntax

version {1 | 2}

no version

- 1 - ERPS version 1 based on ITU-T G.8032/Y.1344.
- 2 - ERPS version 2 based on ITU-T G.8032/Y.1344 Version 2.

Default Setting

2

Command Mode

ERPS Instance Configuration

Command Usage

- In addition to the basic features provided by version 1, version 2 also supports:
 - Multi-ring/ladder network support
 - Revertive/Non-revertive recovery
 - Forced Switch (FS) and Manual Switch (MS) commands for manually blocking a particular ring port
 - Flush FDB (forwarding database) logic which reduces amount of flush FDB operations in the ring
 - Support of multiple ERP instances on a single ring
- Version 2 is backward compatible with Version 1. If version 2 is specified, the inputs and commands are forwarded transparently. If set to version 1, MS and FS operator commands are filtered, and the switch set to revertive mode.

- The version number is automatically set to “1” when a ring node, supporting only the functionalities of G.8032v1, exists on the same ring with other nodes that support G.8032v2.
- When ring nodes running G.8032v1 and G.8032v2 co-exist on a ring, the ring ID of each node is configured as “1”.
- In version 1, the MAC address 01-19-A7-00-00-01 is used for the node identifier. The `raps-def-mac` command has no effect.

Example

```
Console(config-erps-inst)#version 1
Console(config-erps-inst)#
```

inclusion-vlan Use this command to specify VLAN groups that are to be on the inclusion list of an ERPS instance. Use the **no** form of the command to removed the VLAN from the list.

Syntax

[no] inclusion-vlan *vlan-group-name*

vlan-group-name - Name of the VLAN group. (Range: 1-12 characters).

Default Setting

None

Command Mode

ERPS Instance Configuration

Command Usage

- VLANs that are on the inclusion list are protected by the ERPS instance.
- Any VLAN not listed on either the inclusion or exclusion list will be blocked on ring ports.
- Use the `show erps statistics` command to view the inclusion-vlan list of VLAN IDs.
- Traffic from control VLANs, inclusion VLANs, and exclusion VLANs of an ERPS instance will be forwarded by non-ERPS ring ports.

Example

```
Console(config-erps-inst)#inclusion-vlan vlgrou3
Console(config-erps-inst)#
```


physical-ring Use this command to associate an ERPS instance with an existing physical ring. Use the **no** form of the command to removed the association.

Syntax

physical-ring *ring-name*

no physical-ring

ring-name - Name of a specific ERPS ring. (Range: 1-12 characters)

Default Setting

None

Command Mode

ERPS Instance Configuration

Command Usage

The physical ring name must first be defined using the [erps ring](#) command.

Example

```
Console(config-erps-inst)#physical-ring campus1
Console(config-erps-inst)#
```

erps forced-switch This command blocks the specified ring port.

Syntax

erps forced-switch instance *instance-name* {**east** | **west**}

instance-name - Name of a specific ERPS instance. (Range: 1-12 characters)

east - East ring port.

west - West ring port.

Command Mode

Privileged Exec

Command Usage

- A ring with no pending request has a logical topology with the traffic channel blocked at the RPL and unblocked on all other ring links. In this situation, the **erps forced-switch** command triggers protection switching as follows:
 - a. The ring node where a forced switch command was issued blocks the traffic channel and R-APS channel on the ring port to which the command was issued, and unblocks the other ring port.
 - b. The ring node where the forced switch command was issued transmits R-APS messages indicating FS over both ring ports. R-APS (FS) messages are

continuously transmitted by this ring node while the local FS command is the ring node’s highest priority command (see [Table 92 on page 570](#)). The R-APS (FS) message informs other ring nodes of the FS command and that the traffic channel is blocked on one ring port.

- c. A ring node accepting an R-APS (FS) message, without any local higher priority requests unblocks any blocked ring port. This action subsequently unblocks the traffic channel over the RPL.
 - d. The ring node accepting an R-APS (FS) message, without any local higher priority requests stops transmission of R-APS messages.
 - e. The ring node receiving an R-APS (FS) message flushes its FDB.
- Protection switching on a forced switch request is completed when the above actions are performed by each ring node. At this point, traffic flows around the ring are resumed. From this point on the following rules apply regarding processing of further forced switch commands:

While an existing forced switch request is present in a ring, any new forced switch request is accepted, except on a ring node having a prior local forced switch request. The ring nodes where further forced switch commands are issued block the traffic channel and R-APS channel on the ring port at which the forced switch was issued. The ring node where the forced switch command was issued transmits an R-APS message over both ring ports indicating FS. R-APS (FS) messages are continuously transmitted by this ring node while the local FS command is the ring node’s highest priority command. As such, two or more forced switches are allowed in the ring, which may inadvertently cause the segmentation of an ring. It is the responsibility of the operator to prevent this effect if it is undesirable.

Ring protection requests, commands and R-APS signals have the priorities as specified in the following table.

Table 92: ERPS Request/State Priority

Request / State and Status	Type	Priority
Clear	local	highest
FS	local	
R-APS (FS)	remote	
local SF*	local	
local clear SF	local	
R-APS (SF)	remote	
R-APS (MS)	remote	
MS	local	
WTR Expires	local	
WTR Running	local	
WTB Expires	local	

Table 92: ERPS Request/State Priority (Continued)

Request / State and Status	Type	Priority
WTB Running	local	
R-APS (NR, RB)	remote	
R-APS (NR)	remote	lowest

* If an Ethernet Ring Node is in the Forced Switch state, local SF is ignored.

- Recovery for forced switching under revertive and non-revertive mode is described under the Command Usage section for the [non-revertive](#) command.
- When a ring is under an FS condition, and the node at which an FS command was issued is removed or fails, the ring remains in FS state because the FS command can only be cleared at node where the FS command was issued. This results in an unrecoverable FS condition.

When performing a maintenance procedure (e.g., replacing, upgrading) on a ring node (or a ring link), it is recommended that FS commands be issued at the two adjacent ring nodes instead of directly issuing a FS command at the ring node under maintenance in order to avoid falling into the above mentioned unrecoverable situation.

Example

```
Console#erps forced-switch instance r&d west
Console#
```

erps manual-switch This command blocks the specified ring port, in the absence of a failure or an [erps forced-switch](#) command.

Syntax

erps manual-switch instance *instance-name* {**east** | **west**}

instance-name - Name of a specific ERPS instance. (Range: 1-12 characters)

east - East ring port.

west - West ring port.

Command Mode

Privileged Exec

Command Usage

- A ring with no request has a logical topology with the traffic channel blocked at the RPL and unblocked on all other ring links. In this situation, the **erps manual-switch** command triggers protection switching as follows:

- a. If no other higher priority commands exist, the ring node, where a manual switch command was issued, blocks the traffic channel and R-APS channel on the ring port to which the command was issued, and unblocks the other ring port.
 - b. If no other higher priority commands exist, the ring node where the manual switch command was issued transmits R-APS messages over both ring ports indicating MS. R-APS (MS) message are continuously transmitted by this ring node while the local MS command is the ring node's highest priority command (see [Table 92 on page 570](#)). The R-APS (MS) message informs other ring nodes of the MS command and that the traffic channel is blocked on one ring port.
 - c. If no other higher priority commands exist and assuming the ring node was in Idle state before the manual switch command was issued, the ring node flushes its local FDB.
 - d. A ring node accepting an R-APS (MS) message, without any local higher priority requests unblocks any blocked ring port which does not have an SF condition. This action subsequently unblocks the traffic channel over the RPL.
 - e. A ring node accepting an R-APS (MS) message, without any local higher priority requests stops transmitting R-APS messages.
 - f. A ring node receiving an R-APS (MS) message flushes its FDB.
- Protection switching on a manual switch request is completed when the above actions are performed by each ring node. At this point, traffic flows around the ring are resumed. From this point on, the following rules apply regarding processing of further manual switch commands:
 - a. While an existing manual switch request is present in the ring, any new manual switch request is rejected. The request is rejected at the ring node where the new request is issued and a notification is generated to inform the operator that the new MS request was not accepted.
 - b. A ring node with a local manual switch command which receives an R-APS (MS) message with a different Node ID clears its manual switch request and starts transmitting R-APS (NR) messages. The ring node keeps the ring port blocked due to the previous manual switch command.
 - c. An ring node with a local manual switch command that receives an R-APS message or a local request of higher priority than R-APS (MS) clear its manual switch request. The ring node then processes the new higher priority request.
 - Recovery for manual switching under revertive and non-revertive mode is described under the Command Usage section for the [non-revertive](#) command.

Example

```
Console#erps manual-switch instance r&d west
Console#
```

erps clear This command manually clears the protection state which has been invoked by a forced switch or manual switch command, and the node is operating under non-revertive mode; or before the WTR or WTB timer expires when the node is operating in revertive mode.

Syntax

erps clear instance *instance-name*

instance-name - Name of a specific ERPS instance. (Range: 1-12 characters)

Command Mode

Privileged Exec

Command Usage

- Two steps are required to make a ring operating in non-revertive mode return to Idle state from forced switch or manual switch state:
 1. Issue an **erps clear** command to remove the forced switch command on the node where a local forced switch command is active.
 2. Issue an **erps clear** command on the RPL owner node to trigger the reversion.
- The **erps clear** command will also stop the WTR and WTB delay timers and reset their values.
- More detailed information about using this command for non-revertive mode is included under the Command Usage section for the [non-revertive](#) command.

Example

```
Console#erps clear instance r&d
Console#
```

clear erps statistics This command clears all statistics for a specific ERPS instance, or all instances.

Syntax

clear erps statistics [**instance** *instance-name*]

instance-name - Name of a specific ERPS instance. (Range: 1-12 characters)

Command Mode

Privileged Exec

Example

```
Console#clear erps statistics instance r&d
Console#
```

show erps statistics This command displays statistics information for all configured instances, or for a specified instance.

Syntax

show erps statistics [**instance** *instance-name*]

instance-name - Name of a specific ERPS instance. (Range: 1-12 characters)

Command Mode

Privileged Exec

Example

This example displays statistics for all configured ERPS instances.

```
Console#show erps statistics
ERPS statistics for instance r&d :
Interface      Local SF      Local Clear SF
-----
(W) Eth 1/ 1 0          0
              SF          NR          NR-RB      FS          MS
-----
Sent           0            62          948        0           0
Received       0            0            0           0           0
Ignored        0            0            0           0           0
              EVENT      HEALTH
-----
Sent           0            0
Received       0            0
Ignored        0            0

Interface      Local SF      Local Clear SF
-----
(E) Eth 1/ 3 0          0
              SF          NR          NR-RB      FS          MS
-----
Sent           0            62          948        0           0
Received       0            0            0           0           0
Ignored        0            0            0           0           0
              EVENT      HEALTH
-----
Sent           0            0
Received       0            0
Ignored        0            0

Console#
```

show erps This command displays status information for all configured VLAN groups, rings, and instances, or for a specified VLAN group, ring, or instance.

Syntax

```
show erps {[vlan-group vlan-group-name] | [ring ring-name] |
[instance instance-name]}
```

vlan-group - Keyword to display ERPS VLAN group settings.

vlan-group-name – Name of the VLAN group. (Range: 1-12 characters).

ring - Keyword to display ERPS ring configuration settings.

ring-name - Name of a specific ERPS ring. (Range: 1-12 characters)

instance - Keyword to display ERPS instance configuration settings.

instance-name - Name of a specific ERPS instance. (Range: 1-12 characters)

Command Mode

Privileged Exec

Example

This example displays a summary of all the ERPS VLAN groups configured on the switch.

```
Console#show erps vlan-group
ERPS Status           : Disabled
ERPS node-id          : B8-6A-97-41-F3-83
Number of ERPS Vgroup : 1

VLAN-group  ID  VLANs
-----
vlgroupe3   1  3,6,9

Console#
```

This example displays a summary of all the ERPS rings configured on the switch.

```
Console#show erps ring
ERPS Status           : Enabled
ERPS node-id          : B8-6A-97-41-F3-83
Number of ERPS Ring   : 2

Ring      ID  Enabled West I/F  EAST I/F
-----
test1     1  No
campus1   2  Yes   Eth 1/1  Eth 1/3

Console#
```

This example displays a summary of all the ERPS instances configured on the switch.

```

Console#show erps instance
ERPS Status           : Disabled
ERPS node-id          : B8-6A-97-41-F3-83
Number of ERPS Inst   : 1

Instance   ID  Enabled Physical Ring Ctrl VLAN Node State Node Type
-----
test1      1  No
                                     Init      None

                                     W/E  Interface Port State Local SF Local FS Local MS RPL
                                     -----
West                                     Unknown No      No      No      No
East                                     Unknown No      No      No      No

Inclusion VLAN groups
-----
None

Console#

```


24

Class of Service Commands

The commands described in this section allow you to specify which data packets have greater precedence when traffic is buffered in the switch due to congestion. This switch supports CoS with eight priority queues for each port. Data packets in a port's high-priority queue will be transmitted before those in the lower-priority queues. The default priority can be set for each interface, also the queue service mode and the mapping of frame priority tags to the switch's priority queues can be configured.

Table 93: Priority Commands

Command Group	Function
Priority Commands (Layer 2)	Configures the queue mode, queue weights, and default priority for untagged frames
Priority Commands (Layer 3 and 4)	Sets the default priority processing method (CoS or DSCP), maps priority tags for internal processing, maps values from internal priority table to CoS values used in tagged egress packets for Layer 2 interfaces, maps internal per hop behavior to hardware queues

Priority Commands (Layer 2)

This section describes commands used to configure Layer 2 traffic priority on the switch.

Table 94: Priority Commands (Layer 2)

Command	Function	Mode
<code>queue mode</code>	Sets the queue mode to Weighted Round-Robin (WRR), strict priority, or a combination of strict and weighted queuing	GC
<code>queue weight</code>	Assigns round-robin weights to the priority queues	GC
<code>switchport priority default</code>	Sets a port priority for incoming untagged frames	IC
<code>show interfaces switchport</code>	Displays the administrative and operational status of an interface	PE
<code>show queue mode</code>	Shows the current queue mode	PE
<code>show queue weight</code>	Shows weights assigned to the weighted queues	PE

queue mode This command sets the scheduling mode used for processing each of the class of service (CoS) priority queues. The options include strict priority, Weighted Round-Robin (WRR), or a combination of strict and weighted queuing. Use the **no** form to restore the default value.

Syntax

queue mode {**strict** | **wrr** | **strict-wrr** [*queue-type-list*]}

no queue mode

strict - Services the egress queues in sequential order, transmitting all traffic in the higher priority queues before servicing lower priority queues. This ensures that the highest priority packets are always serviced first, ahead of all other traffic.

wrr - Weighted Round-Robin shares bandwidth at the egress ports by using scheduling weights (based on the [queue weight](#) command), and servicing each queue in a round-robin fashion.

strict-wrr - Uses strict or weighted service as specified for each queue.

queue-type-list - Indicates if the queue is a normal or strict type.
(Options: 0 indicates a normal queue, 1 indicates a strict queue)

Default Setting

WRR

Command Mode

Global Configuration

Command Usage

- The switch can be set to service the port queues based on strict priority, WRR, or a combination of strict and weighted queuing.
- Strict priority requires all traffic in a higher priority queue to be processed before lower priority queues are serviced.
- Weighted Round Robin (WRR) uses a predefined relative weight for each queue that determines the percentage of service time the switch services each queue before moving on to the next queue. This prevents the head-of-line blocking that can occur with strict priority queuing. Use the [queue weight](#) command to assign weights for WRR queuing to the eight priority queues.
- If Strict and WRR mode is selected, a combination of strict and weighted service is used as specified for each queue. The queues assigned to use strict or WRR priority should be specified using the *queue-type-list* parameter.
- A weight can be assigned to each of the weighted queues (and thereby to the corresponding traffic priorities). This weight sets the frequency at which each queue is polled for service, and subsequently affects the response time for software applications assigned a specific priority value.

- Service time is shared at the egress ports by defining scheduling weights for WRR, or for the queuing mode that uses a combination of strict and weighted queuing. Service time is allocated to each queue by calculating a precise number of bytes per second that will be serviced on each round.
- The specified queue mode applies to all interfaces.

Example

The following example sets the queue mode to strict priority service mode:

```
Console(config)#queue mode strict
Console(config)#
```

queue weight This command assigns weights to the eight class of service (CoS) priority queues when using weighted queuing, or one of the queuing modes that use a combination of strict and weighted queuing. Use the **no** form to restore the default weights.

Syntax

queue weight *weight0...weight7*

no queue weight

weight0...weight7 - The ratio of weights for queues 0 - 7 determines the weights used by the WRR scheduler. (Range: 1-127)

Default Setting

Weights 1, 2, 4, 6, 8, 10, 12, 14 are assigned to queues 0 - 7 respectively.

Command Mode

Global Configuration

Command Usage

- This command shares bandwidth at the egress port by defining scheduling weights for Weighted Round-Robin, or for the queuing mode that uses a combination of strict and weighted queuing ([page 578](#)).
- Bandwidth is allocated to each queue by calculating a precise number of bytes per second that will be serviced on each round.

Example

The following example shows how to assign round-robin weights of 1 - 8 to the CoS priority queues 0 - 7.

```
Console(config)#queue weight 1 2 3 4 5 6 7 8
Console(config)#
```

switchport priority default This command sets a priority for incoming untagged frames. Use the **no** form to restore the default value.

Syntax

switchport priority default *default-priority-id*

no switchport priority default

default-priority-id - The priority number for untagged ingress traffic. The priority is a number from 0 to 7. Seven is the highest priority.

Default Setting

The priority is not set, and the default value for untagged frames received on the interface is zero.

Command Mode

Interface Configuration (Ethernet)

Command Usage

- The precedence for priority mapping is IP DSCP, and then default switchport priority.
- The default priority applies for an untagged frame received on a port set to accept all frame types (i.e, receives both untagged and tagged frames). This priority does not apply to IEEE 802.1Q VLAN tagged frames. If the incoming frame is an IEEE 802.1Q VLAN tagged frame, the IEEE 802.1p User Priority bits will be used.
- The switch provides eight priority queues for each port. It can be configured to use strict priority queuing, Weighted Round Robin (WRR), or a combination of strict and weighted queuing using the [queue mode](#) command. Inbound frames that do not have VLAN tags are tagged with the input port's default ingress user priority, and then placed in the appropriate priority queue at the output port. The default priority for all ingress ports is zero. Therefore, any inbound frames that do not have priority tags will be placed in queue 2 of the output port. (Note that if the output port is an untagged member of the associated VLAN, these frames are stripped of all VLAN tags prior to transmission.)

Example

The following example shows how to set a default priority on port 3 to 5:

```
Console(config)#interface ethernet 1/3
Console(config-if)#switchport priority default 5
Console(config-if)#
```

show queue mode This command shows the current queue mode.

Syntax

show queue mode

Command Mode

Privileged Exec

Example

```

Console#show queue mode
Unit   Port   queue mode
----   -
      1     1   Weighted Round Robin
...

```

show queue weight This command displays the weights used for the weighted queues.

Syntax

show queue weight

Command Mode

Privileged Exec

Example

```

Console#show queue weight
Information of Eth 1/1
Queue ID  Weight
-----
          0         1
          1         2
          2         4
          3         6
          4         8
          5        10
          6        12
          7        14
...

```

Priority Commands (Layer 3 and 4)

This section describes commands used to configure Layer 3 and 4 traffic priority mapping on the switch.

Table 95: Priority Commands (Layer 3 and 4)

Command	Function	Mode
<code>qos map phb-queue</code>	Maps internal per-hop behavior values to hardware queues	IC
<code>qos map cos-dscp</code>	Maps CoS/CFI values in incoming packets to per-hop behavior and drop precedence values for internal priority processing	IC
<code>qos map dscp-mutation</code>	Maps DSCP values in incoming packets to per-hop behavior and drop precedence values for internal priority processing	IC
<code>qos map ip-prec-dscp</code>	Maps IP Precedence values in incoming packets to per-hop behavior and drop precedence values for internal priority processing	IC
<code>qos map trust-mode</code>	Sets QoS mapping to DSCP or CoS	IC
<code>show qos map cos-dscp</code>	Shows ingress CoS to internal DSCP map	PE
<code>show qos map dscp-mutation</code>	Shows ingress DSCP to internal DSCP map	PE
<code>show qos map ip-prec-dscp</code>	Shows ingress IP Precedence to internal DSCP map	PE
<code>show qos map phb-queue</code>	Shows internal per-hop behavior to hardware queue map	PE
<code>show qos map trust-mode</code>	Shows the QoS mapping mode	PE

* The default settings used for mapping priority values to internal DSCP values and back to the hardware queues are designed to optimize priority services for the majority of network applications. It should not be necessary to modify any of the default settings unless a queuing problem occurs with a particular application.

qos map phb-queue This command determines the hardware output queues to use based on the internal per-hop behavior value. Use the **no** form to restore the default settings.

Syntax

`qos map phb-queue queue-id from phb0 ... phb7`

`no map phb-queue phb0 ... phb7`

phb - Per-hop behavior, or the priority used for this router hop. (Range: 0-7)

queue-id - The ID of the priority queue. (Range: 0-7, where 7 is the highest priority queue)

Default Setting

Table 96: Mapping Internal Per-hop Behavior to Hardware Queues

Per-hop Behavior	0	1	2	3	4	5	6	7
Hardware Queues	2	0	1	3	4	5	6	7

Command Mode

Interface Configuration (Port, Static Aggregation)

Command Usage

- Enter a queue identifier, followed by the keyword “from” and then up to eight internal per-hop behavior values separated by spaces.
- Egress packets are placed into the hardware queues according to the mapping defined by this command.

Example

```
Console(config)#interface ethernet 1/5
Console(config-if)#qos map phb-queue 0 from 1 2 3
Console(config-if)#
```

qos map cos-dscp This command maps CoS/CFI values in incoming packets to per-hop behavior and drop precedence values for priority processing. Use the **no** form to restore the default settings.

Syntax

qos map cos-dscp *phb* *drop-precedence* **from** *cos0* *cfi0...cos7* *cfi7*

no qos map cos-dscp *cos0* *cfi0...cos7* *cfi7*

phb - Per-hop behavior, or the priority used for this router hop. (Range: 0-7)

drop-precedence - Drop precedence used for controlling traffic congestion. (Range: 0 - Green, 3 - Yellow, 1 - Red)

cos - CoS value in ingress packets. (Range: 0-7)

cfi - Canonical Format Indicator. Set to this parameter to “0” to indicate that the MAC address information carried in the frame is in canonical format. (Range: 0-1)

Default Setting

Table 97: Default Mapping of CoS/CFI to Internal PHB/Drop Precedence

CoS	CFI	0	1
0		(0,0)	(0,0)
1		(1,0)	(1,0)
2		(2,0)	(2,0)

Table 97: Default Mapping of CoS/CFI to Internal PHB/Drop Precedence

CoS	CFI	0	1
3		(3,0)	(3,0)
4		(4,0)	(4,0)
5		(5,0)	(5,0)
6		(6,0)	(6,0)
7		(7,0)	(7,0)

Command Mode

Interface Configuration (Port, Static Aggregation)

Command Usage

- The default mapping of CoS to PHB values shown in Table 97 is based on the recommended settings in IEEE 802.1p for mapping CoS values to output queues.
- Enter a value pair for the internal per-hop behavior and drop precedence, followed by the keyword “from” and then up to eight CoS/CFI paired values separated by spaces.
- If a packet arrives with a 802.1Q header but it is not an IP packet, then the CoS/CFI-to-PHB/Drop Precedence mapping table is used to generate priority and drop precedence values for internal processing. Note that priority tags in the original packet are not modified by this command.
- The internal DSCP consists of three bits for per-hop behavior (PHB) which determines the queue to which a packet is sent; and two bits for drop precedence (namely color) which is used to control traffic congestion.
- The specified mapping applies to all interfaces.

Example

```
Console(config)#interface ethernet 1/5  
Console(config-if)#qos map cos-dscp 0 0 from 0 1  
Console(config-if)#
```


qos map dscp-mutation This command maps DSCP values in incoming packets to per-hop behavior and drop precedence values for priority processing. Use the **no** form to restore the default settings.

Syntax

qos map dscp-mutation *phb drop-precedence* **from** *dscp0 ... dscp7*

no qos map dscp-mutation *dscp0 ... dscp7*

phb - Per-hop behavior, or the priority used for this router hop. (Range: 0-7)

drop-precedence - Drop precedence used for in controlling traffic congestion. (Range: 0 - Green, 3 - Yellow, 1 - Red)

dscp - DSCP value in ingress packets. (Range: 0-63)

Default Setting

Table 98: Default Mapping of DSCP Values to Internal PHB/Drop Values

	ingress-dscp1	0	1	2	3	4	5	6	7	8	9
ingress-dscp10											
0		0,0	0,1	0,0	0,3	0,0	0,1	0,0	0,3	1,0	1,1
1		1,0	1,3	1,0	1,1	1,0	1,3	2,0	2,1	2,0	2,3
2		2,0	2,1	2,0	2,3	3,0	3,1	3,0	3,3	3,0	3,1
3		3,0	3,3	4,0	4,1	4,0	4,3	4,0	4,1	4,0	4,3
4		5,0	5,1	5,0	5,3	5,0	5,1	6,0	5,3	6,0	6,1
5		6,0	6,3	6,0	6,1	6,0	6,3	7,0	7,1	7,0	7,3
6		7,0	7,1	7,0	7,3						

The ingress DSCP is composed of ingress-dscp10 (most significant digit in the left column) and ingress-dscp1 (least significant digit in the top row (in other words, ingress-dscp = ingress-dscp10 * 10 + ingress-dscp1)); and the corresponding internal-dscp is shown at the intersecting cell in the table.

The ingress DSCP is bitwise ANDed with the binary value 11 to determine the drop precedence. If the resulting value is 10 binary, then the drop precedence is set to 0.

Command Mode

Interface Configuration (Port, Static Aggregation)

Command Usage

- Enter a value pair for the internal per-hop behavior and drop precedence, followed by the keyword “from” and then up to eight DSCP values separated by spaces.
- This map is only used when the QoS mapping mode is set to “DSCP” by the [qos map trust-mode](#) command, and the ingress packet type is IPv4.
- Two QoS domains can have different DSCP definitions, so the DSCP-to-PHB/Drop Precedence mutation map can be used to modify one set of DSCP values

to match the definition of another domain. The mutation map should be applied at the receiving port (ingress mutation) at the boundary of a QoS administrative domain.

- The specified mapping applies to all interfaces.

Example

This example changes the priority for all packets entering port 1 which contain a DSCP value of 1 to a per-hop behavior of 3 and a drop precedence of 1. Referring to [Table 98](#), note that the DSCP value for these packets is now set to 25 ($3 \times 2^3 + 1$) and passed on to the egress interface.

```
Console(config)#interface ethernet 1/5
Console(config-if)#qos map dscp-mutation 3 1 from 1
Console(config-if)#
```

qos map ip-prec-dscp

This command maps IP precedence values in incoming packets to per-hop behavior and drop precedence values for priority processing. Use the **no** form to restore the default settings.

Syntax

qos map ip-prec-dscp *phb0 drop-precedence0 ... phb7 drop-precedence7*

no map ip-prec-dscp

phb - Per-hop behavior, or the priority used for this router hop. (Range: 0-7)

drop-precedence - Drop precedence used for controlling traffic congestion. (Range: 0 - Green, 3 - Yellow, 1 - Red)

Default Setting

Table 99: Default Mapping of IP Precedence to Internal PHB/Drop Values

IP Precedence Value	0	1	2	3	4	5	6	7
Per-hop Behavior	0	1	2	3	4	5	6	7
Drop Precedence	0	0	0	0	0	0	0	0

Command Mode

Interface Configuration (Port, Static Aggregation)

Command Usage

- Enter up to eight paired values for per-hop behavior and drop precedence separated by spaces. These values are used for internal priority processing, and correspond to IP Precedence values 0 - 7.

- If the QoS mapping mode is set the IP Precedence and the ingress packet type is IPv4, then the IP Precedence-to-DSCP mapping table is used to generate priority and drop precedence values for internal processing.

Example

```
Console(config)#interface ethernet 1/5
Console(config-if)#qos map ip-prec-dscp 7 0 6 0 5 0 4 0 3 0 2 1 1 1 0 1
Console(config-if)#
```

qos map trust-mode This command sets QoS mapping to DSCP or CoS. Use the **no** form to restore the default setting.

Syntax

qos map trust-mode {cos | dscp}

no qos map trust-mode

cos - Sets the QoS mapping mode to CoS.

dscp - Sets the QoS mapping mode to DSCP.

Default Setting

CoS

Command Mode

Interface Configuration (Port)

Command Usage

- If the QoS mapping mode is set to DSCP with this command, and the ingress packet type is IPv4, then priority processing will be based on the DSCP value in the ingress packet.
- If the QoS mapping mode is set to DSCP, and a non-IP packet is received, the packet's CoS and CFI (Canonical Format Indicator) values are used for priority processing if the packet is tagged. For an untagged packet, the default port priority (see [page 580](#)) is used for priority processing.
- If the QoS mapping mode is set to CoS with this command, and the ingress packet type is IPv4, then priority processing will be based on the CoS and CFI values in the ingress packet.

For an untagged packet, the default port priority (see [page 580](#)) is used for priority processing.

Example

This example sets the QoS priority mapping mode to use DSCP based on the conditions described in the Command Usage section.

```
Console(config)#interface ge1/1
```

```
Console(config-if)#qos map trust-mode dscp  
Console(config-if)#
```

show qos map cos-dscp This command shows ingress CoS/CFI to internal DSCP map.

Syntax

```
show qos map cos-dscp interface interface  
interface
```

ethernet *unit/port*

unit - Unit identifier.

port - Port number.

port-channel *channel-id*

Command Mode

Privileged Exec

Example

```
Console#show qos map cos-dscp interface ethernet 1/5  
CoS Information of Eth 1/5  
CoS-DSCP map. (x,y),x: phb,y: drop precedence:  
CoS : CFI 0 1  
-----  
0 (0,0) (0,0)  
1 (1,0) (1,0)  
2 (2,0) (2,0)  
3 (3,0) (3,0)  
4 (4,0) (4,0)  
5 (5,0) (5,0)  
6 (6,0) (6,0)  
7 (7,0) (7,0)  
Console#
```

show qos map dscp-mutation This command shows the ingress DSCP to internal DSCP map.

Syntax

```
show qos map dscp-mutation interface interface  
interface
```

ethernet *unit/port*

unit - Unit identifier.

port - Port number.

port-channel *channel-id*

Command Mode

Privileged Exec

Command Usage

This map is only used when the QoS mapping mode is set to “DSCP” by the `qos map trust-mode` command, and the ingress packet type is IPv4.

Example

The ingress DSCP is composed of “d1” (most significant digit in the left column) and “d2” (least significant digit in the top row (in other words, ingress DSCP = d1 * 10 + d2)); and the corresponding Internal DSCP and drop precedence is shown at the intersecting cell in the table.

```

Console#show qos map dscp-mutation interface ethernet 1/5
DSCP mutation map. (x,y), x: PHB,y: drop precedence:
d1: d2 0    1    2    3    4    5    6    7    8    9
-----
0 :   (0,0) (0,1) (0,0) (0,3) (0,0) (0,1) (0,0) (0,3) (1,0) (1,1)
1 :   (1,0) (1,3) (1,0) (1,1) (1,0) (1,3) (2,0) (2,1) (2,0) (2,3)
2 :   (2,0) (2,1) (2,0) (2,3) (3,0) (3,1) (3,0) (3,3) (3,0) (3,1)
3 :   (3,0) (3,3) (4,0) (4,1) (4,0) (4,3) (4,0) (4,1) (4,0) (4,3)
4 :   (5,0) (5,1) (5,0) (5,3) (5,0) (5,1) (6,0) (5,3) (6,0) (6,1)
5 :   (6,0) (6,3) (6,0) (6,1) (6,0) (6,3) (7,0) (7,1) (7,0) (7,3)
6 :   (7,0) (7,1) (7,0) (7,3)
Console#

```

show qos map ip-prec-dscp This command shows the ingress IP precedence to internal DSCP map.

Syntax

```

show qos map ip-prec-dscp interface interface
                                interface
                                ethernet unit/port
                                    unit - Stack unit.
                                    port - Port number.
                                port-channel channel-id

```

Command Mode

Privileged Exec

Command Usage

If the QoS mapping mode is set to IP Precedence and the ingress packet type is IPv4, then the IP Precedence-to-DSCP mapping table is used to generate per-hop behavior and drop precedence values for internal processing.

Example

```

Console#show qos map ip-prec-dscp interface ethernet 1/5
Information of Eth 1/5

```

```
IP-prec-DSCP map:
IP-prec:          0      1      2      3      4      5      6      7
-----
PHB:              0      1      2      3      4      5      6      7
drop precedence: 0      0      0      0      0      0      0      0
Console#
```

show qos map phb-queue This command shows internal per-hop behavior to hardware queue map.

Syntax

```
show qos map phb-queue interface interface
                                interface
                                ethernet unit/port
                                    unit - Unit identifier.
                                    port - Port number.
                                port-channel channel-id
```

Command Mode

Privileged Exec

Example

```
Console#show qos map phb-queue interface ethernet 1/5
Information of Eth 1/5
PHB-queue map:
PHB:          0      1      2      3      4      5      6      7
-----
queue:       2      0      1      3      4      5      6      7
Console#
```

show qos map trust-mode This command shows the QoS mapping mode.

Syntax

```
show qos map trust-mode interface interface
                                interface
                                ethernet unit/port
                                    unit - Unit identifier.
                                    port - Port number.
```

Command Mode

Privileged Exec

Example

The following shows that the trust mode is set to CoS:

```
Console#show qos map trust-mode interface ethernet 1/5
Information of Eth 1/5
  CoS Map Mode:          CoS mode
Console#
```

25

Quality of Service Commands

The commands described in this section are used to configure Differentiated Services (DiffServ) classification criteria and service policies. You can classify traffic based on access lists, IP Precedence or DSCP values, or VLANs. Using access lists allows you select traffic based on Layer 2, Layer 3, or Layer 4 information contained in each packet.

Table 100: Quality of Service Commands

Command	Function	Mode
class-map	Creates a class map for a type of traffic	GC
description	Specifies the description of a class map	CM
match	Defines the criteria used to classify traffic	CM
rename	Redefines the name of a class map	CM
policy-map	Creates a policy map for multiple interfaces	GC
description	Specifies the description of a policy map	PM
class	Defines a traffic classification for the policy to act on	PM
rename	Redefines the name of a policy map	PM
police flow	Defines an enforcer for classified traffic based on a metered flow rate	PM-C
police srtcm-color	Defines an enforcer for classified traffic based on a single rate three color meter	PM-C
police trtcm-color	Defines an enforcer for classified traffic based on a two rate three color meter	PM-C
set cos	Services IP traffic by setting a class of service value for matching packets for internal processing	PM-C
set ip dscp	Services IP traffic by setting a IP DSCP value for matching packets for internal processing	PM-C
set phb	Services IP traffic by setting a per-hop behavior value for matching packets for internal processing	PM-C
service-policy	Applies a policy map defined by the policy-map command to the input of a particular interface	IC
show class-map	Displays the QoS class maps which define matching criteria used for classifying traffic	PE
show policy-map	Displays the QoS policy maps which define classification criteria for incoming traffic, and may include policers for bandwidth limitations	PE
show policy-map interface	Displays the configuration of all classes configured for all service policies on the specified interface	PE

To create a service policy for a specific category of ingress traffic, follow these steps:

1. Use the `class-map` command to designate a class name for a specific category of traffic, and enter the Class Map configuration mode.
2. Use the `match` command to select a specific type of traffic based on an access list, an IPv4 DSCP value, IPv4 Precedence value, a VLAN, or a CoS value.
3. Use the `policy-map` command to designate a policy name for a specific manner in which ingress traffic will be handled, and enter the Policy Map configuration mode.
4. Use the `class` command to identify the class map, and enter Policy Map Class configuration mode. A policy map can contain up to 16 class maps.
5. Use the `set phb` or `set cos` or `set ip dscp` command to modify the per-hop behavior, the class of service value in the VLAN tag, or the priority bits in the IP header (IP DSCP value) for the matching traffic class, and use one of the `police` commands to monitor parameters such as the average flow and burst rate, and drop any traffic that exceeds the specified rate, or just reduce the DSCP service level for traffic exceeding the specified rate.
6. Use the `service-policy` command to assign a policy map to a specific interface.



Note: Create a Class Map before creating a Policy Map.

class-map This command creates a class map used for matching packets to the specified class, and enters Class Map configuration mode. Use the `no` form to delete a class map.

Syntax

`class-map class-map-name match-any`

`no class-map class-map-name`

class-map-name - Name of the class map. (Range: 1-32 characters)

match-any - Match any condition within a class map.

Default Setting

None

Command Mode

Global Configuration

Command Usage

- First enter this command to designate a class map and enter the Class Map configuration mode. Then use **match** commands to specify the criteria for ingress traffic that will be classified under this class map.
- One or more class maps can be assigned to a policy map ([page 596](#)).
- The policy map is then bound by a service policy to an interface ([page 607](#)). A service policy defines packet classification, service tagging, and bandwidth policing.

Example

This example creates a class map call “rd-class,” and sets it to match packets marked for DSCP service value 3:

```
Console(config)#class-map rd-class match-any
Console(config-cmap)#match ip dscp 3
Console(config-cmap)#
```

description This command specifies the description of a class map or policy map. Use the **no** form of the command to remove the description.

Syntax

description *string*

no description

string - Description of the class map or policy map. (Range: 1-64 characters)

Command Mode

Class Map Configuration

Policy Map Configuration

Example

```
Console(config)#class-map rd-class#1
Console(config-cmap)#description matches packets marked for DSCP service
value 3
Console(config-cmap)#
```

match This command defines the criteria used to classify traffic. Use the **no** form to delete the matching criteria.

Syntax

```
[no] match {access-list acl-name | cos cos | ip dscp dscp |
ip precedence ip-precedence | vlan vlan}
```

acl-name - Name of the access control list. Any type of ACL can be specified, including standard or extended IP ACLs and MAC ACLs. (Range: 1-16 characters)

cos - A Class of Service value. (Range: 0-7)

dscp - A Differentiated Service Code Point value. (Range: 0-63)

ip-precedence - An IP Precedence value. (Range: 0-7)

vlan - A VLAN. (Range:1-4094)

Default Setting

None

Command Mode

Class Map Configuration

Command Usage

- First enter the [class-map](#) command to designate a class map and enter the Class Map configuration mode. Then use **match** commands to specify the fields within ingress packets that must match to qualify for this class map.
- If an ingress packet matches an ACL specified by this command, any deny rules included in the ACL will be ignored.
- If match criteria includes an IP ACL or IP priority rule, then a VLAN rule cannot be included in the same class map.
- If match criteria includes a MAC ACL or VLAN rule, then neither an IP ACL nor IP priority rule can be included in the same class map.
- Up to 16 match entries can be included in a class map.

Example

This example creates a class map called "rd-class#1," and sets it to match packets marked for DSCP service value 3.

```
Console(config)#class-map rd-class#1 match-any
Console(config-cmap)#match ip dscp 3
Console(config-cmap)#
```

This example creates a class map call “rd-class#2,” and sets it to match packets marked for IP Precedence service value 5.

```
Console(config)#class-map rd-class#2 match-any
Console(config-cmap)#match ip precedence 5
Console(config-cmap)#
```

This example creates a class map call “rd-class#3,” and sets it to match packets marked for VLAN 1.

```
Console(config)#class-map rd-class#3 match-any
Console(config-cmap)#match vlan 1
Console(config-cmap)#
```

rename This command redefines the name of a class map or policy map.

Syntax

rename *map-name*

map-name - Name of the class map or policy map. (Range: 1-32 characters)

Command Mode

Class Map Configuration
Policy Map Configuration

Example

```
Console(config)#class-map rd-class#1
Console(config-cmap)#rename rd-class#9
Console(config-cmap)#
```

policy-map This command creates a policy map that can be attached to multiple interfaces, and enters Policy Map configuration mode. Use the **no** form to delete a policy map.

Syntax

[**no**] **policy-map** *policy-map-name*

policy-map-name - Name of the policy map. (Range: 1-32 characters)

Default Setting

None

Command Mode

Global Configuration

Command Usage

- Use the **policy-map** command to specify the name of the policy map, and then use the **class** command to configure policies for traffic that matches the criteria defined in a class map.
- A policy map can contain multiple class statements that can be applied to the same interface with the **service-policy** command.
- Create a Class Map ([page 596](#)) before assigning it to a Policy Map.

Example

This example creates a policy called “rd-policy,” uses the **class** command to specify the previously defined “rd-class,” uses the **set** command to classify the service that incoming packets will receive, and then uses the **police flow** command to limit the average bandwidth to 100,000 Kbps, the burst rate to 4000 bytes, and configure the response to drop any violating packets.

```

Console(config)#policy-map rd-policy
Console(config-pmap)#class rd-class
Console(config-pmap-c)#set cos 0
Console(config-pmap-c)#police flow 10000 4000 conform-action transmit
violate-action drop
Console(config-pmap-c)#

```

class This command defines a traffic classification upon which a policy can act, and enters Policy Map Class configuration mode. Use the **no** form to delete a class map.

Syntax

[no] class *class-map-name*

class-map-name - Name of the class map. (Range: 1-32 characters)

Default Setting

None

Command Mode

Policy Map Configuration

Command Usage

- Use the **policy-map** command to specify a policy map and enter Policy Map configuration mode. Then use the **class** command to enter Policy Map Class configuration mode. And finally, use the **set** command and one of the **police** commands to specify the match criteria, where the:
 - **set phb** command sets the per-hop behavior value in matching packets. (This modifies packet priority for internal processing only.)

- **set cos** command sets the class of service value in matching packets. (This modifies packet priority in the VLAN tag.)
- **police** commands define parameters such as the maximum throughput, burst rate, and response to non-conforming traffic.
- Up to 16 classes can be included in a policy map.

Example

This example creates a policy called “rd-policy,” uses the **class** command to specify the previously defined “rd-class,” uses the **set phb** command to classify the service that incoming packets will receive, and then uses the **police flow** command to limit the average bandwidth to 100,000 Kbps, the burst rate to 4,000 bytes, and configure the response to drop any violating packets.

```
Console(config)#policy-map rd-policy
Console(config-pmap)#class rd-class
Console(config-pmap-c)#set phb 3
Console(config-pmap-c)#police flow 10000 4000 conform-action transmit
violate-action drop
Console(config-pmap-c)#
```

police flow This command defines an enforcer for classified traffic based on the metered flow rate. Use the no form to remove a policer.

Syntax

```
[no] police flow committed-rate committed-burst
conform-action {transmit | new-dscp}
violate-action {drop | new-dscp}
```

committed-rate - Committed information rate (CIR) in kilobits per second. (Range: 0-10000000 kbps or maximum port speed, whichever is lower)

committed-burst - Committed burst size (BC) in bytes. (Range: 4000-16000000 bytes)

conform-action - Action to take when packet is within the CIR and BC. (There are enough tokens to service the packet, the packet is set green).

violate-action - Action to take when packet exceeds the CIR and BC. (There are not enough tokens to service the packet, the packet is set red).

transmit - Transmits without taking any action.

drop - Drops packet as required by violate-action.

new-dscp - Differentiated Service Code Point (DSCP) value. (Range: 0-63)

Default Setting

None

Command Mode

Policy Map Class Configuration

Command Usage

- You can configure up to 16 policers (i.e., class maps) for ingress ports.
- Policing is based on a token bucket, where bucket depth (i.e., the maximum burst before the bucket overflows) is by specified the *committed-burst* field, and the average rate tokens are added to the bucket is by specified by the *committed-rate* option. Note that the token bucket functions similar to that described in RFC 2697 and RFC 2698.
- The behavior of the meter is specified in terms of one token bucket (C), the rate at which the tokens are incremented (CIR – Committed Information Rate), and the maximum size of the token bucket (BC – Committed Burst Size).

The token bucket C is initially full, that is, the token count $T_c(0) = BC$. Thereafter, the token count T_c is updated CIR times per second as follows:

- If T_c is less than BC, T_c is incremented by one, else
- T_c is not incremented.

When a packet of size B bytes arrives at time t, the following happens:

- If $T_c(t) - B \geq 0$, the packet is green and T_c is decremented by B down to the minimum value of 0, else
- else the packet is red and T_c is not decremented.

Example

This example creates a policy called “rd-policy,” uses the `class` command to specify the previously defined “rd-class,” uses the `set phb` command to classify the service that incoming packets will receive, and then uses the `police flow` command to limit the average bandwidth to 100,000 Kbps, the burst rate to 4000 bytes, and configure the response to drop any violating packets.

```
Console(config)#policy-map rd-policy
Console(config-pmap)#class rd-class
Console(config-pmap-c)#set phb 3
Console(config-pmap-c)#police flow 100000 4000 conform-action transmit
violate-action drop
Console(config-pmap-c)#
```

police srtcm-color This command defines an enforcer for classified traffic based on a single rate three color meter (srTCM). Use the **no** form to remove a policer.

Syntax

```
[no] police {srtcm-color-blind | srtcm-color-aware}
      committed-rate committed-burst excess-burst
      conform-action {transmit | new-dscp}
      exceed-action {drop | new-dscp}
      violate action {drop | new-dscp}
```

srtcm-color-blind - Single rate three color meter in color-blind mode.

srtcm-color-aware - Single rate three color meter in color-aware mode.

committed-rate - Committed information rate (CIR) in kilobits per second. (Range: 0-10000000 kbps or maximum port speed, whichever is lower)

committed-burst - Committed burst size (BC) in bytes. (Range: 4000-16000000 bytes)

excess-burst - Excess burst size (BE) in bytes. (Range: 4000-16000000 bytes)

conform-action - Action to take when rate is within the CIR and BC. (There are enough tokens in bucket BC to service the packet, packet is set green).

exceed-action - Action to take when rate exceeds the CIR and BC but is within the BE. (There are enough tokens in bucket BE to service the packet, the packet is set yellow.)

violate-action - Action to take when rate exceeds the BE. (There are not enough tokens in bucket BE to service the packet, the packet is set red.)

transmit - Transmits without taking any action.

drop - Drops packet as required by exceed-action or violate-action.

new-dscp - Differentiated Service Code Point (DSCP) value. (Range: 0-63)

Default Setting

None

Command Mode

Policy Map Class Configuration

Command Usage

- You can configure up to 16 policers (i.e., class maps) for ingress ports.
- The srTCM as defined in RFC 2697 meters a traffic stream and processes its packets according to three traffic parameters – Committed Information Rate (CIR), Committed Burst Size (BC), and Excess Burst Size (BE).
- The PHB label is composed of five bits, three bits for per-hop behavior, and two bits for the color scheme used to control queue congestion. A packet is marked

green if it doesn't exceed the CIR and BC, yellow if it does exceed the CIR and BC, but not the BE, and red otherwise.

- The meter operates in one of two modes. In the color-blind mode, the meter assumes that the packet stream is uncolored. In color-aware mode the meter assumes that some preceding entity has pre-colored the incoming packet stream so that each packet is either green, yellow, or red. The marker (re)colors an IP packet according to the results of the meter. The color is coded in the DS field [RFC 2474] of the packet.
- The behavior of the meter is specified in terms of its mode and two token buckets, C and E, which both share the common rate CIR. The maximum size of the token bucket C is BC and the maximum size of the token bucket E is BE.

The token buckets C and E are initially full, that is, the token count $T_c(0) = BC$ and the token count $T_e(0) = BE$. Thereafter, the token counts T_c and T_e are updated CIR times per second as follows:

- If T_c is less than BC, T_c is incremented by one, else
- if T_e is less than BE, T_e is incremented by one, else
- neither T_c nor T_e is incremented.

When a packet of size B bytes arrives at time t, the following happens if srTCM is configured to operate in color-blind mode:

- If $T_c(t) - B \geq 0$, the packet is green and T_c is decremented by B down to the minimum value of 0, else
- if $T_e(t) - B \geq 0$, the packet is yellow and T_e is decremented by B down to the minimum value of 0,
- else the packet is red and neither T_c nor T_e is decremented.

When a packet of size B bytes arrives at time t, the following happens if srTCM is configured to operate in color-aware mode:

- If the packet has been precolored as green and $T_c(t) - B \geq 0$, the packet is green and T_c is decremented by B down to the minimum value of 0, else
- If the packet has been precolored as yellow or green and if
- $T_e(t) - B \geq 0$, the packet is yellow and T_e is decremented by B down to the minimum value of 0, else the packet is red and neither T_c nor T_e is decremented.

The metering policy guarantees a deterministic behavior where the volume of green packets is never smaller than what has been determined by the CIR and BC, that is, tokens of a given color are always spent on packets of that color. Refer to RFC 2697 for more information on other aspects of srTCM.

Example

This example creates a policy called "rd-policy," uses the `class` command to specify the previously defined "rd-class," uses the `set phb` command to classify the service that incoming packets will receive, and then uses the `police srtcm-color-blind` command to limit the average bandwidth to 100,000 Kbps, the committed burst rate to 4000 bytes, the excess burst rate to 6000 bytes, to remark any packets

exceeding the committed burst size, and to drop any packets exceeding the excess burst size.

```
Console(config)#policy-map rd-policy
Console(config-pmap)#class rd-class
Console(config-pmap-c)#set phb 3
Console(config-pmap-c)#police srtcm-color-blind 100000 4000 6000 conform-
  action transmit exceed-action 0 violate-action drop
Console(config-pmap-c)#
```

police trtcm-color This command defines an enforcer for classified traffic based on a two rate three color meter (trTCM). Use the **no** form to remove a policer.

Syntax

```
[no] police {trtcm-color-blind | trtcm-color-aware}
  committed-rate committed-burst peak-rate peak-burst
  conform-action {transmit | new-dscp}
  exceed-action {drop | new-dscp}
  violate action {drop | new-dscp}
```

trtcm-color-blind - Two rate three color meter in color-blind mode.

trtcm-color-aware - Two rate three color meter in color-aware mode.

committed-rate - Committed information rate (CIR) in kilobits per second. (Range: 0-100000000 kbps or maximum port speed, whichever is lower)

committed-burst - Committed burst size (BC) in bytes. (Range: 4000-16000000 bytes)

peak-rate - Peak information rate (PIR) in kilobits per second. (Range: 0-1000000 kbps or maximum port speed, whichever is lower)

peak-burst - Peak burst size (BP) in bytes. (Range: 0-10000000 bytes)

conform-action - Action to take when rate is within the CIR and BP. (Packet size does not exceed BP and there are enough tokens in bucket BC to service the packet, the packet is set green.)

exceed-action - Action to take when rate exceeds the CIR but is within the PIR. (Packet size exceeds BC but there are enough tokens in bucket BP to service the packet, the packet is set yellow.)

violate-action - Action to take when rate exceeds the PIR. (There are not enough tokens in bucket BP to service the packet, the packet is set red.)

drop - Drops packet as required by exceed-action or violate-action.

transmit - Transmits without taking any action.

new-dscp - Differentiated Service Code Point (DSCP) value. (Range: 0-63)

Default Setting

None

Command Mode

Policy Map Class Configuration

Command Usage

- You can configure up to 16 policers (i.e., class maps) for ingress ports.
- The trTCM as defined in RFC 2698 meters a traffic stream and processes its packets based on two rates – Committed Information Rate (CIR) and Peak Information Rate (PIR), and their associated burst sizes - Committed Burst Size (BC) and Peak Burst Size (BP).
- The PHB label is composed of five bits, three bits for per-hop behavior, and two bits for the color scheme used to control queue congestion. A packet is marked red if it exceeds the PIR. Otherwise it is marked either yellow or green depending on whether it exceeds or doesn't exceed the CIR.

The trTCM is useful for ingress policing of a service, where a peak rate needs to be enforced separately from a committed rate.

- The meter operates in one of two modes. In the color-blind mode, the meter assumes that the packet stream is uncolored. In color-aware mode the meter assumes that some preceding entity has pre-colored the incoming packet stream so that each packet is either green, yellow, or red. The marker (re)colors an IP packet according to the results of the meter. The color is coded in the DS field [RFC 2474] of the packet.
- The behavior of the meter is specified in terms of its mode and two token buckets, P and C, which are based on the rates PIR and CIR, respectively. The maximum size of the token bucket P is BP and the maximum size of the token bucket C is BC.
- The token buckets P and C are initially (at time 0) full, that is, the token count $T_p(0) = BP$ and the token count $T_c(0) = BC$. Thereafter, the token count T_p is incremented by one PIR times per second up to BP and the token count T_c is incremented by one CIR times per second up to BC.

When a packet of size B bytes arrives at time t, the following happens if trTCM is configured to operate in color-blind mode:

- If $T_p(t) - B < 0$, the packet is red, else
- if $T_c(t) - B < 0$, the packet is yellow and T_p is decremented by B, else
- the packet is green and both T_p and T_c are decremented by B.

When a packet of size B bytes arrives at time t, the following happens if trTCM is configured to operate in color-aware mode:

- If the packet has been precolored as red or if $T_p(t) - B < 0$, the packet is red, else
- if the packet has been precolored as yellow or if $T_c(t) - B < 0$, the packet is yellow and T_p is decremented by B, else
- the packet is green and both T_p and T_c are decremented by B.

- The trTCM can be used to mark a IP packet stream in a service, where different, decreasing levels of assurances (either absolute or relative) are given to packets which are green, yellow, or red. Refer to RFC 2698 for more information on other aspects of trTCM.

Example

This example creates a policy called “rd-policy,” uses the `class` command to specify the previously defined “rd-class,” uses the `set phb` command to classify the service that incoming packets will receive, and then uses the `police trtcm-color-blind` command to limit the average bandwidth to 100,000 Kbps, the committed burst rate to 4000 bytes, the peak information rate to 1,000,000 kbps, the peak burst size to 6000, to remark any packets exceeding the committed burst size, and to drop any packets exceeding the peak information rate.

```
Console(config)#policy-map rd-policy
Console(config-pmap)#class rd-class
Console(config-pmap-c)#set phb 3
Console(config-pmap-c)#police trtcm-color-blind 100000 4000 100000 6000
    conform-action transmit exceed-action 0 violate-action drop
Console(config-pmap-c)#
```

- set cos** This command modifies the class of service (CoS) value for a matching packet (as specified by the `match` command) in the packet’s VLAN tag. Use the `no` form to remove this setting.

Syntax

```
[no] set cos cos-value
```

cos-value - Class of Service value. (Range: 0-7)

Default Setting

None

Command Mode

Policy Map Class Configuration

Command Usage

- The `set cos` command is used to set the CoS value in the VLAN tag for matching packets.
- The `set cos` and `set phb` command function at the same level of priority. Therefore setting either of these commands will overwrite any action already configured by the other command.

Example

This example creates a policy called “rd-policy,” uses the `class` command to specify the previously defined “rd-class,” uses the `set cos` command to classify the service that incoming packets will receive, and then uses the `police flow` command to limit the average bandwidth to 100,000 Kbps, the burst rate to 4000 bytes, and configure the response to drop any violating packets.

```
Console(config)#policy-map rd-policy
Console(config-pmap)#class rd-class
Console(config-pmap-c)#set cos 3
Console(config-pmap-c)#police flow 100000 4000 conform-action transmit
violate-action drop
Console(config-pmap-c)#
```

set ip dscp This command modifies the IP DSCP value in a matching packet (as specified by the `match` command). Use the `no` form to remove this traffic classification.

Syntax

[no] set ip dscp *new-dscp*

new-dscp - New Differentiated Service Code Point (DSCP) value.
(Range: 0-63)

Default Setting

None

Command Mode

Policy Map Class Configuration

Command Usage

The `set ip dscp` command is used to set the priority values in the packet’s ToS field for matching packets.

Example

This example creates a policy called “rd-policy,” uses the `class` command to specify the previously defined “rd-class,” uses the `set ip dscp` command to classify the service that incoming packets will receive, and then uses the `police flow` command to limit the average bandwidth to 100,000 Kbps, the burst rate to 4000 bytes, and configure the response to drop any violating packets.

```
Console(config)#policy-map rd-policy
Console(config-pmap)#class rd-class
Console(config-pmap-c)#set ip dscp 3
Console(config-pmap-c)#police flow 10000 4000 conform-action transmit
violate-action drop
Console(config-pmap-c)#
```

set phb This command services IP traffic by setting a per-hop behavior value for a matching packet (as specified by the [match](#) command) for internal processing. Use the **no** form to remove this setting.

Syntax

```
[no] set phb phb-value
```

phb-value - Per-hop behavior value. (Range: 0-7)

Default Setting

None

Command Mode

Policy Map Class Configuration

Command Usage

- The **set phb** command is used to set an internal QoS value in hardware for matching packets (see [Table 97](#), "Default Mapping of CoS/CFI to Internal PHB/Drop Precedence"). The QoS label is composed of five bits, three bits for per-hop behavior, and two bits for the color scheme used to control queue congestion by the [police srtcm-color](#) command and [police trtcm-color](#) command.
- The [set cos](#) and **set phb** command function at the same level of priority. Therefore setting either of these commands will overwrite any action already configured by the other command.

Example

This example creates a policy called "rd-policy," uses the [class](#) command to specify the previously defined "rd-class," uses the **set phb** command to classify the service that incoming packets will receive, and then uses the [police flow](#) command to limit the average bandwidth to 100,000 Kbps, the burst rate to 4000 bytes, and configure the response to drop any violating packets.

```
Console(config)#policy-map rd-policy
Console(config-pmap)#class rd-class
Console(config-pmap-c)#set phb 3
Console(config-pmap-c)#police flow 10000 4000 conform-action transmit
violate-action drop
Console(config-pmap-c)#
```

service-policy This command applies a policy map defined by the **policy-map** command to the ingress side of a particular interface. Use the **no** form to remove this mapping.

Syntax

```
[no] service-policy {input | output} policy-map-name
```

input - Apply to the input traffic.

output - Apply to the output traffic.

policy-map-name - Name of the policy map for this interface.
(Range: 1-32 characters)

Default Setting

No policy map is attached to an interface.

Command Mode

Interface Configuration (Ethernet)

Command Usage

- Only one policy map can be assigned to an interface.
- First define a class map, then define a policy map, and finally use the **service-policy** command to bind the policy map to the required interface.
- The switch does not allow a policy map to be bound to an interface for egress traffic.

Example

This example applies a service policy to an ingress interface.

```
Console(config)#interface ethernet 1/1
Console(config-if)#service-policy input rd-policy
Console(config-if)#
```

show class-map This command displays the QoS class maps which define matching criteria used for classifying traffic.

Syntax

```
show class-map [class-map-name]
```

class-map-name - Name of the class map. (Range: 1-32 characters)

Default Setting

Displays all class maps.

Command Mode

Privileged Exec

Example

```

Console#show class-map
Class Map match-any rd-class#1
Description:
  Match IP DSCP 10
  Match access-list rd-access
  Match IP DSCP 0

Class Map match-any rd-class#2
  Match IP Precedence 5

Class Map match-any rd-class#3
  Match VLAN 1

Console#

```

show policy-map This command displays the QoS policy maps which define classification criteria for incoming traffic, and may include policers for bandwidth limitations.

Syntax

show policy-map [*policy-map-name* [**class** *class-map-name*]]

policy-map-name - Name of the policy map. (Range: 1-32 characters)

class-map-name - Name of the class map. (Range: 1-32 characters)

Default Setting

Displays all policy maps and all classes.

Command Mode

Privileged Exec

Example

```

Console#show policy-map
Policy Map rd-policy
Description:
  class rd-class
  set phb 3
Console#show policy-map rd-policy class rd-class
Policy Map rd-policy
  class rd-class
  set phb 3
Console#

```


show policy-map interface This command displays the service policy assigned to the specified interface.

Syntax

```
show policy-map interface interface input
```

interface

unit/port

unit - Unit identifier.

port - Port number.

Command Mode

Privileged Exec

Example

```
Console#show policy-map interface 1/5 input
Service-policy rd-policy
Console#
```

26

Control Plane Commands

Network control packets that are received by the switch are handled by the CPU. This traffic can potentially overwhelm the switch CPU and impact the overall system performance. To prevent the switch CPU from receiving too much traffic, QoS class maps and policy maps can be defined and applied as a service policy to ingress traffic on the CPU's "control-plane" interface.

For details on configuring QoS class maps and policy maps, see ["Quality of Service Commands" on page 592](#).

Table 101: Control Plane Commands

Command	Function	Mode
control-plane	Enters control-plane interface mode	GC
service-policy	Applies a policy map to the input of the control-plane interface	CP
show policy-map control-plane	Shows the configuration of service policies on the control-plane interface	PE

control-plane Use this command to enter control-plane interface configuration mode.

Syntax

```
control-plane
```

Command Mode

Global Configuration

Command Usage

You must enter control-plane interface configuration mode to bind a service policy to the control-plane interface.

Example

```
Console(config)#control-plane
Console(config-cp)#
```

service-policy This command applies a QoS policy map defined by the [policy-map](#) command to the ingress side of the control-plane interface. Use the **no** form to remove this mapping.

Syntax

```
[no] service-policy input policy-map-name
```

input - Apply to the input traffic.

policy-map-name - Name of the policy map for this interface.
(Range: 1-32 characters)

Default Setting

No policy map is attached to the control-plane interface.

Command Mode

Control-Plane Interface Configuration

Command Usage

- Only one policy map can be assigned to the control-plane interface.
- First define a class map, then define a policy map, and finally use the **service-policy** command to bind the policy map to the control-plane interface.
- The switch does not allow a policy map to be bound to an interface for egress traffic.

Example

This example applies a service policy to the control-plane interface.

```
Console(config)#control-plane
Console(config-cp)#service-policy input cpu-policy
Console(config-cp)#
```

show policy-map control-plane This command displays the QoS policy map that defines classification criteria for incoming traffic on the control-plane interface.

Syntax

```
show policy-map control-plane input [class class-map-name] [hardware counters]
```

class-map-name - Name of the class map. (Range: 1-32 characters)

hardware counters - Shows statistics for the policy or class.

Command Mode

Privileged Exec

Example

```
Console#show policy-map control-plane input

Console# show policy-map control-plane input class cp-class hardware counters
Service-policy cpu-rate-limit-policy
Class-map cp-class
  Receive Packets:          95
  Drop Packets:            0

Console#
```

27

Multicast Filtering Commands

This switch uses IGMP (Internet Group Management Protocol) to check for any attached hosts that want to receive a specific multicast service. It identifies the ports containing hosts requesting a service and sends data out to those ports only. It then propagates the service request up to any neighboring multicast switch/router to ensure that it will continue to receive the multicast service.

Table 102: Multicast Filtering Commands

Command Group	Function
IGMP Snooping	Configures multicast groups via IGMP snooping or static assignment, sets the IGMP version, enables proxy reporting, displays current snooping settings, and displays the multicast service and group members
Static Multicast Routing	Configures static multicast router ports which forward all inbound multicast traffic to the attached VLANs
IGMP Filtering and Throttling	Configures IGMP filtering and throttling
MLD Snooping	Configures multicast snooping for IPv6
MLD Filtering and Throttling	Configures MLD filtering and throttling for IPv6.
MVR for IPv4	Configures a single network-wide multicast VLAN shared by hosts residing in other standard or private VLAN groups, preserving security and data isolation for normal traffic
MVR for IPv6	Configures a single network-wide multicast VLAN shared by hosts residing in other standard or private VLAN groups, preserving security and data isolation for normal traffic

IGMP Snooping

This section describes commands used to configure IGMP snooping on the switch.

Table 103: IGMP Snooping Commands

Command	Function	Mode
ip igmp snooping	Enables IGMP snooping	GC
ip igmp snooping priority	Assigns a priority to all multicast traffic	GC
ip igmp snooping proxy-reporting	Enables IGMP Snooping with Proxy Reporting	GC
ip igmp snooping querier	Allows this device to act as the querier for IGMP snooping	GC
ip igmp snooping router-alert-option-check	Discards any IGMPv2/v3 packets that do not include the Router Alert option	GC

Table 103: IGMP Snooping Commands (Continued)

Command	Function	Mode
<code>ip igmp snooping router-port-expire-time</code>	Configures the querier timeout	GC
<code>ip igmp snooping tcn-flood</code>	Floods multicast traffic when a Spanning Tree topology change occurs	GC
<code>ip igmp snooping tcn-query-solicit</code>	Sends an IGMP Query Solicitation when a Spanning Tree topology change occurs	GC
<code>ip igmp snooping unregistered-data-flood</code>	Floods unregistered multicast traffic into the attached VLAN	GC
<code>ip igmp snooping unsolicited-report-interval</code>	Specifies how often the upstream interface should transmit unsolicited IGMP reports (when proxy reporting is enabled)	GC
<code>ip igmp snooping version</code>	Configures the IGMP version for snooping	GC
<code>ip igmp snooping version-exclusive</code>	Discards received IGMP messages which use a version different to that currently configured	GC
<code>ip igmp snooping vlan general-query-suppression</code>	Suppresses general queries except for ports attached to downstream multicast hosts	GC
<code>ip igmp snooping vlan immediate-leave</code>	Immediately deletes a member port of a multicast service if a leave packet is received at that port and immediate-leave is enabled for the parent VLAN	GC
<code>ip igmp snooping vlan last-memb-query-count</code>	Configures the number of IGMP proxy query messages that are sent out before the system assumes there are no local members	GC
<code>ip igmp snooping vlan last-memb-query-intvl</code>	Configures the last-member-query interval	GC
<code>ip igmp snooping vlan mrd</code>	Sends multicast router solicitation messages	GC
<code>ip igmp snooping vlan proxy-address</code>	Configures a static address for proxy IGMP query and reporting	GC
<code>ip igmp snooping vlan proxy-reporting</code>	Enables IGMP Snooping with Proxy Reporting	GC
<code>ip igmp snooping vlan query-interval</code>	Configures the interval between sending IGMP general queries	GC
<code>ip igmp snooping vlan query-resp-intvl</code>	Configures the maximum time the system waits for a response to general queries	GC
<code>ip igmp snooping vlan static</code>	Adds an interface as a member of a multicast group	GC
<code>ip igmp snooping vlan version</code>	Configures the IGMP version for snooping	GC
<code>ip igmp snooping vlan version-exclusive</code>	Discards received IGMP messages which use a version different to that currently configured	GC
<code>clear ip igmp snooping groups dynamic</code>	Clears multicast group information dynamically learned through IGMP snooping	PE
<code>clear ip igmp snooping statistics</code>	Clears IGMP snooping statistics	PE
<code>show ip igmp snooping</code>	Shows the IGMP snooping, proxy, and query configuration	PE
<code>show ip igmp snooping group</code>	Shows known multicast group, source, and host port mapping	PE

Table 103: IGMP Snooping Commands (Continued)

Command	Function	Mode
<code>show ip igmp snooping mrouter</code>	Shows multicast router ports	PE
<code>show ip igmp snooping statistics</code>	Shows IGMP snooping protocol statistics for the specified interface	PE

ip igmp snooping This command enables IGMP snooping globally on the switch or on a selected VLAN interface. Use the **no** form to disable it.

Syntax

```
[no] ip igmp snooping [vlan vlan-id]  
vlan-id - VLAN ID (Range: 1-4094)
```

Default Setting

Enabled

Command Mode

Global Configuration

Command Usage

- When IGMP snooping is enabled globally, the per VLAN interface settings for IGMP snooping take precedence.
- When IGMP snooping is disabled globally, snooping can still be configured per VLAN interface, but the interface settings will not take effect until snooping is re-enabled globally.

Example

The following example enables IGMP snooping globally.

```
Console(config)#ip igmp snooping  
Console(config)#
```

ip igmp snooping priority This command assigns a priority to all multicast traffic. Use the **no** form to restore the default setting.

Syntax

```
ip igmp snooping priority priority  
no ip igmp snooping priority
```

priority - The CoS priority assigned to all multicast traffic. (Range: 0-7, where 7 is the highest priority)

Default Setting

2

Command Mode

Global Configuration

Command Usage

This command can be used to set a high priority for low-latency multicast traffic such as a video-conference, or to set a low priority for normal multicast traffic not sensitive to latency.

Example

```
Console(config)#ip igmp snooping priority 6  
Console(config)#
```

ip igmp snooping proxy-reporting This command enables IGMP Snooping with Proxy Reporting. Use the **no** form to restore the default setting.

Syntax

[no] ip igmp snooping proxy-reporting

ip igmp snooping vlan *vlan-id* proxy-reporting {enable | disable}

no ip igmp snooping vlan *vlan-id* proxy-reporting

vlan-id - VLAN ID (Range: 1-4094)

enable - Enable on the specified VLAN.

disable - Disable on the specified VLAN.

Default Setting

Global: Disabled

VLAN: Based on global setting

Command Mode

Global Configuration

Command Usage

- When proxy reporting is enabled with this command, the switch performs “IGMP Snooping with Proxy Reporting” (as defined in DSL Forum TR-101, April 2006), including last leave, and query suppression. Last leave sends out a proxy query when the last member leaves a multicast group, and query suppression means that specific queries are not forwarded from an upstream multicast router to hosts downstream from this device.
- If the IGMP proxy reporting is configured on a VLAN, this setting takes precedence over the global configuration.

Example

```
Console(config)#ip igmp snooping proxy-reporting
Console(config)#
```

ip igmp snooping querier This command enables the switch as an IGMP querier. Use the **no** form to disable it.

Syntax

[no] ip igmp snooping querier

Default Setting

Disabled

Command Mode

Global Configuration

Command Usage

- IGMP snooping querier is not supported for IGMPv3 snooping (see [ip igmp snooping version](#)).
- If enabled, the switch will serve as querier if elected. The querier is responsible for asking hosts if they want to receive multicast traffic.

Example

```
Console(config)#ip igmp snooping querier
Console(config)#
```

ip igmp snooping router-alert-option-check This command discards any IGMPv2/v3 packets that do not include the Router Alert option. Use the **no** form to ignore the Router Alert Option when receiving IGMP messages.

Syntax

[no] ip igmp snooping router-alert-option-check

Default Setting

Disabled

Command Mode

Global Configuration

Command Usage

As described in Section 9.1 of RFC 3376 for IGMP Version 3, the Router Alert Option can be used to protect against DOS attacks. One common method of attack is launched by an intruder who takes over the role of querier, and starts

overloading multicast hosts by sending a large number of group-and-source-specific queries, each with a large source list and the Maximum Response Time set to a large value.

To protect against this kind of attack, (1) routers should not forward queries. This is easier to accomplish if the query carries the Router Alert option. (2) Also, when the switch is acting in the role of a multicast host (such as when using proxy routing), it should ignore version 2 or 3 queries that do not contain the Router Alert option.

Example

```
Console(config)#ip igmp snooping router-alert-option-check
Console(config)#
```

ip igmp snooping router-port- expire-time

This command configures the querier timeout. Use the **no** form to restore the default.

Syntax

ip igmp snooping router-port-expire-time *seconds*

no ip igmp snooping router-port-expire-time

seconds - The time the switch waits after the previous querier stops before it considers it to have expired. (Range: 1-65535; Recommended Range: 300-500)

Default Setting

300 seconds

Command Mode

Global Configuration

Example

The following shows how to configure the timeout to 400 seconds:

```
Console(config)#ip igmp snooping router-port-expire-time 400
Console(config)#
```

ip igmp snooping tcn-flood

This command enables flooding of multicast traffic if a spanning tree topology change notification (TCN) occurs. Use the **no** form to disable flooding.

Syntax

[no] ip igmp snooping tcn-flood

Default Setting

Disabled

Command Mode

Global Configuration

Command Usage

- When a spanning tree topology change occurs, the multicast membership information learned by the switch may be out of date. For example, a host linked to one port before the topology change (TC) may be moved to another port after the change. To ensure that multicast data is delivered to all receivers, by default, a switch in a VLAN (with IGMP snooping enabled) that receives a Bridge Protocol Data Unit (BPDU) with the TC bit set (by the root bridge) will enter into “multicast flooding mode” for a period of time until the topology has stabilized and the new locations of all multicast receivers are learned.
- If a topology change notification (TCN) is received, and all the uplink ports are subsequently deleted, a timeout mechanism is used to delete all of the currently learned multicast channels.
- When a new uplink port starts up, the switch sends unsolicited reports for all current learned channels out through the new uplink port.
- By default, the switch immediately enters into “multicast flooding mode” when a spanning tree topology change occurs. In this mode, multicast traffic will be flooded to all VLAN ports. If many ports have subscribed to different multicast groups, flooding may cause excessive loading on the link between the switch and the end host. Flooding may be disabled to avoid this, causing multicast traffic to be delivered only to those ports on which multicast group members have been learned.
- When the spanning tree topology changes, the root bridge sends a proxy query to quickly re-learn the host membership/port relations for multicast channels. The root bridge also sends an unsolicited Multicast Router Discover (MRD) request to quickly locate the multicast routers in this VLAN.

The proxy query and unsolicited MRD request are flooded to all VLAN ports except for the receiving port when the switch receives such packets.

Example

The following example enables TCN flooding.

```
Console(config)#ip igmp snooping tcn-flood
Console(config)#
```

ip igmp snooping tcn-query-solicit This command instructs the switch to send out an IGMP general query solicitation when a spanning tree topology change notification (TCN) occurs. Use the **no** form to disable this feature.

Syntax

```
[no] ip igmp snooping tcn-query-solicit
```

Default Setting

Disabled

Command Mode

Global Configuration

Command Usage

- When the root bridge in a spanning tree receives a topology change notification for a VLAN where IGMP snooping is enabled, it issues a global IGMP leave message (query solicitation). When a switch receives this solicitation, it floods it to all ports in the VLAN where the spanning tree change occurred. When an upstream multicast router receives this solicitation, it will also immediately issue an IGMP general query.
- The **ip igmp snooping tcn query-solicit** command can be used to send a query solicitation whenever it notices a topology change, even if the switch is not the root bridge in the spanning tree.

Example

The following example instructs the switch to issue an IGMP general query whenever it receives a spanning tree topology change notification.

```
Console(config)#ip igmp snooping tcn query-solicit  
Console(config)#
```

ip igmp snooping unregistered-data-flood This command floods unregistered multicast traffic into the attached VLAN. Use the **no** form to drop unregistered multicast traffic.

Syntax

```
[no] ip igmp snooping unregistered-data-flood
```

Default Setting

Disabled

Command Mode

Global Configuration

Command Usage

Once the table used to store multicast entries for IGMP snooping and multicast routing is filled, no new entries are learned. If no router port is configured in the attached VLAN, and unregistered-flooding is disabled, any subsequent multicast traffic not found in the table is dropped, otherwise it is flooded throughout the VLAN.

Example

```
Console(config)#ip igmp snooping unregistered-data-flood
Console(config)#
```

ip igmp snooping unsolicited-report- interval

This command specifies how often the upstream interface should transmit unsolicited IGMP reports when proxy reporting is enabled. Use the **no** form to restore the default value.

Syntax

ip igmp snooping unsolicited-report-interval *seconds*

no ip igmp snooping unsolicited-report-interval

seconds - The interval at which to issue unsolicited reports. (Range: 1-65535 seconds)

Default Setting

400 seconds

Command Mode

Global Configuration

Command Usage

- When a new upstream interface (that is, uplink port) starts up, the switch sends unsolicited reports for all currently learned multicast channels out through the new upstream interface.
- This command only applies when proxy reporting is enabled (see [page 616](#)).

Example

```
Console(config)#ip igmp snooping unsolicited-report-interval 5
Console(config)#
```

ip igmp snooping version This command configures the IGMP snooping version. Use the **no** form to restore the default.

Syntax

```
ip igmp snooping [vlan vlan-id] version {1 | 2 | 3}
```

```
no ip igmp snooping version
```

vlan-id - VLAN ID (Range: 1-4094)

1 - IGMP Version 1

2 - IGMP Version 2

3 - IGMP Version 3

Default Setting

Global: IGMP Version 2

VLAN: Not configured, based on global setting

Command Mode

Global Configuration

Command Usage

- This command configures the IGMP report/query version used by IGMP snooping. Versions 1 - 3 are all supported, and versions 2 and 3 are backward compatible, so the switch can operate with other devices, regardless of the snooping version employed.
- If the IGMP snooping version is configured on a VLAN, this setting takes precedence over the global configuration.

Example

The following configures the global setting for IGMP snooping to version 1.

```
Console(config)#ip igmp snooping version 1
Console(config)#
```

ip igmp snooping version-exclusive This command discards any received IGMP messages (except for multicast protocol packets) which use a version different to that currently configured by the **ip igmp snooping version** command. Use the **no** form to disable this feature.

Syntax

```
ip igmp snooping [vlan vlan-id] version-exclusive
```

```
no ip igmp snooping version-exclusive
```

vlan-id - VLAN ID (Range: 1-4094)

Default Setting

Global: Disabled
VLAN: Disabled

Command Mode

Global Configuration

Command Usage

- If version exclusive is disabled on a VLAN, then this setting is based on the global setting. If it is enabled on a VLAN, then this setting takes precedence over the global setting.
- When this function is disabled, the currently selected version is backward compatible (see the [ip igmp snooping version](#) command).

Example

```
Console(config)#ip igmp snooping version-exclusive
Console(config)#
```

**ip igmp snooping
vlan general-query-
suppression**

This command suppresses general queries except for ports attached to downstream multicast hosts. Use the **no** form to flood general queries to all ports except for the multicast router port.

Syntax

```
[no] ip igmp snooping vlan vlan-id general-query-suppression
vlan-id - VLAN ID (Range: 1-4094)
```

Default Setting

Disabled

Command Mode

Global Configuration

Command Usage

- By default, general query messages are flooded to all ports, except for the multicast router through which they are received.
- If general query suppression is enabled, then these messages are forwarded only to downstream ports which have joined a multicast service.

Example

```
Console(config)#ip igmp snooping vlan 1 general-query-suppression
Console(config)#
```

ip igmp snooping vlan immediate-leave This command immediately deletes a member port of a multicast service if a leave packet is received at that port and immediate-leave is enabled for the parent VLAN. Use the **no** form to restore the default.

Syntax

ip igmp snooping vlan *vlan-id* **immediate-leave** [**by-host-ip**]

no ip igmp snooping vlan *vlan-id* **immediate-leave**

vlan-id - VLAN ID (Range: 1-4094)

by-host-ip - Specifies that the member port will be deleted only when there are no hosts joining this group.

Default Setting

Disabled

Command Mode

Global Configuration

Command Usage

- If immediate-leave is *not* used, a multicast router (or querier) will send a group-specific query message when an IGMPv2/v3 group leave message is received. The router/querier stops forwarding traffic for that group only if no host replies to the query within the timeout period. (The timeout for this release is currently defined by [ip igmp snooping vlan last-memb-query-intvl](#).)
- If immediate-leave is used, the switch assumes that only one host is connected to the interface. Therefore, immediate leave should only be enabled on an interface if it is connected to only one IGMP-enabled device, either a service host or a neighbor running IGMP snooping.
- If the “by-host-ip” option is used, the router/querier will not send out a group-specific query when an IGMPv2/v3 leave message is received. But will check if there are other hosts joining the multicast group. Only when all hosts on that port leave the group will the member port be deleted.
- This command is only effective if IGMP snooping is enabled, and IGMPv2 or IGMPv3 snooping is used.

Example

The following shows how to enable immediate leave.

```
Console(config)#ip igmp snooping vlan 1 immediate-leave
Console(config)#
```


ip igmp snooping vlan last-memb-query-count This command configures the number of IGMP proxy group-specific or group-and-source-specific query messages that are sent out before the system assumes there are no more local members. Use the **no** form to restore the default.

Syntax

ip igmp snooping vlan *vlan-id* last-memb-query-count *count*

no ip igmp snooping vlan *vlan-id* last-memb-query-count

vlan-id - VLAN ID (Range: 1-4094)

count - The number of proxy group-specific or group-and-source-specific query messages to issue before assuming that there are no more group members. (Range: 1-255)

Default Setting

2

Command Mode

Global Configuration

Command Usage

This command will take effect only if IGMP snooping proxy reporting or IGMP querier is enabled ([page 616](#)).

Example

```
Console(config)#ip igmp snooping vlan 1 last-memb-query-count 7
Console(config)#
```

ip igmp snooping vlan last-memb-query-intvl This command configures the last-member-query interval. Use the **no** form to restore the default.

Syntax

ip igmp snooping vlan *vlan-id* last-memb-query-intvl *interval*

no ip igmp snooping vlan *vlan-id* last-memb-query-intvl

vlan-id - VLAN ID (Range: 1-4094)

interval - The interval to wait for a response to a group-specific or group-and-source-specific query message. (Range: 1-31744 tenths of a second)

Default Setting

10 (1 second)

Command Mode

Global Configuration

Command Usage

- When a multicast host leaves a group, it sends an IGMP leave message. When the leave message is received by the switch, it checks to see if this host is the last to leave the group by sending out an IGMP group-specific or group-and-source-specific query message, and starts a timer. If no reports are received before the timer expires, the group record is deleted, and a report is sent to the upstream multicast router.
- A reduced value will result in reduced time to detect the loss of the last member of a group or source, but may generate more bursty traffic.
- This command will take effect only if IGMP snooping proxy reporting is enabled (page 616).

Example

```
Console(config)#ip igmp snooping vlan 1 last-memb-query-intvl 700  
Console(config)#
```

ip igmp snooping This command enables sending of multicast router solicitation messages. Use the **vlan mrd** **no** form to disable these messages.

Syntax

```
[no] ip igmp snooping vlan vlan-id mrd  
vlan-id - VLAN ID (Range: 1-4094)
```

Default Setting

Disabled

Command Mode

Global Configuration

Command Usage

- Multicast Router Discovery (MRD) uses multicast router advertisement, multicast router solicitation, and multicast router termination messages to discover multicast routers. Devices send solicitation messages in order to solicit advertisement messages from multicast routers. These messages are used to discover multicast routers on a directly attached link. Solicitation messages are also sent whenever a multicast forwarding interface is initialized or re-initialized. Upon receiving a solicitation on an interface with IP multicast forwarding and MRD enabled, a router will respond with an advertisement.
- Advertisements are sent by routers to advertise that IP multicast forwarding is enabled. These messages are sent unsolicited periodically on all router interfaces on which multicast forwarding is enabled. They are sent upon the expiration of a periodic timer, as a part of a router's start up procedure, during the restart of a multicast forwarding interface, and on receipt of a solicitation

message. When the multicast services provided to a VLAN is relatively stable, the use of solicitation messages is not required and may be disabled using the **no ip igmp snooping vlan mrd** command.

- This command may also be used to disable multicast router solicitation messages when the upstream router does not support MRD, to reduce the loading on a busy upstream router, or when IGMP snooping is disabled in a VLAN.

Example

This example disables sending of multicast router solicitation messages on VLAN 1.

```
Console(config)#no ip igmp snooping vlan 1 mrd
Console(config)#
```

ip igmp snooping vlan proxy-address

This command configures a static source address for locally generated query and report messages used by IGMP proxy reporting. Use the **no** form to restore the default source address.

Syntax

[no] ip igmp snooping vlan *vlan-id* proxy-address *source-address*

vlan-id - VLAN ID (Range: 1-4094)

source-address - The source address used for proxied IGMP query and report, and leave messages. (Any valid IP unicast address)

Default Setting

0.0.0.0

Command Mode

Global Configuration

Command Usage

IGMP Snooping uses a null IP address of 0.0.0.0 for the source of IGMP query messages which are proxied to downstream hosts to indicate that it is not the elected querier, but is only proxying these messages as defined in RFC 4541. The switch also uses a null address in IGMP reports sent to upstream ports.

Many hosts do not implement RFC 4541, and therefore do not understand query messages with the source address of 0.0.0.0. These hosts will therefore not reply to the queries, causing the multicast router to stop sending traffic to them.

To resolve this problem, the source address in proxied IGMP query and report messages can be replaced with any valid unicast address (other than the router's own address) using this command.

Rules Used for Proxy Reporting

When IGMP Proxy Reporting is disabled, the switch will use a null IP address for the source of IGMP query and report messages unless a proxy query address has been set.

When IGMP Proxy Reporting is enabled, the source address is based on the following criteria:

- If a proxy query address is configured, the switch will use that address as the source IP address in general and group-specific query messages sent to downstream hosts, and in report and leave messages sent upstream from the multicast router port.
- If a proxy query address is not configured, the switch will use the VLAN's IP address as the IP source address in general and group-specific query messages sent downstream, and use the source address of the last IGMP message received from a downstream host in report and leave messages sent upstream from the multicast router port.

Example

The following example sets the source address for proxied IGMP query messages to 10.0.1.8.

```
Console(config)#ip igmp snooping vlan 1 proxy-address 10.0.1.8  
Console(config)#
```

ip igmp snooping vlan query-interval

This command configures the interval between sending IGMP general queries. Use the **no** form to restore the default.

Syntax

```
ip igmp snooping vlan vlan-id query-interval interval
```

```
no ip igmp snooping vlan vlan-id query-interval
```

vlan-id - VLAN ID (Range: 1-4094)

interval - The interval between sending IGMP general queries.
(Range: 2-31744 seconds)

Default Setting

125 seconds

Command Mode

Global Configuration

Command Usage

- An IGMP general query message is sent by the switch at the interval specified by this command. When this message is received by downstream hosts, all receivers build an IGMP report for the multicast groups they have joined.

- This command applies when the switch is serving as the querier ([page 617](#)), or as a proxy host when IGMP snooping proxy reporting is enabled ([page 616](#)).

Example

```
Console(config)#ip igmp snooping vlan 1 query-interval 150
Console(config)#
```

ip igmp snooping vlan query-resp-intvl

This command configures the maximum time the system waits for a response to general queries. Use the **no** form to restore the default.

Syntax

ip igmp snooping vlan *vlan-id* **query-resp-intvl** *interval*

no ip igmp snooping vlan *vlan-id* **query-resp-intvl**

vlan-id - VLAN ID (Range: 1-4094)

interval - The maximum time the system waits for a response to general queries. (Range: 10-31740 tenths of a second)

Default Setting

100 (10 seconds)

Command Mode

Global Configuration

Command Usage

This command applies when the switch is serving as the querier ([page 617](#)), or as a proxy host when IGMP snooping proxy reporting is enabled ([page 616](#)).

Example

```
Console(config)#ip igmp snooping vlan 1 query-resp-intvl 20
Console(config)#
```

ip igmp snooping vlan static

This command adds a port to a multicast group. Use the **no** form to remove the port.

Syntax

[no] ip igmp snooping vlan *vlan-id* **static** *ip-address* *interface*

vlan-id - VLAN ID (Range: 1-4094)

ip-address - IP address for multicast group

interface

ethernet *unit/port*

unit - Unit identifier.

port - Port number.

port-channel *channel-id*

Default Setting

None

Command Mode

Global Configuration

Command Usage

- Static multicast entries are never aged out.
- When a multicast entry is assigned to an interface in a specific VLAN, the corresponding traffic can only be forwarded to ports within that VLAN.

Example

The following shows how to statically configure a multicast group on a port.

```
Console(config)#ip igmp snooping vlan 1 static 224.0.0.12 ethernet 1/5
Console(config)#
```

clear ip igmp snooping groups dynamic

This command clears multicast group information dynamically learned through IGMP snooping.

Syntax

clear ip igmp snooping groups dynamic

Command Mode

Privileged Exec

Command Usage

This command only clears entries learned through IGMP snooping. Statically configured multicast address are not cleared.

Example

```
Console#clear ip igmp snooping groups dynamic
Console#
```

clear ip igmp snooping statistics This command clears IGMP snooping statistics.

Syntax

clear ip igmp snooping statistics [**interface** *interface*]

interface

ethernet *unit/port*

unit - Unit identifier.

port - Port number.

port-channel *channel-id*

vlan *vlan-id* - VLAN identifier (Range: 1-4094)

Command Mode

Privileged Exec

Example

```
Console#clear ip igmp snooping statistics
Console#
```

show ip igmp snooping This command shows the IGMP snooping, proxy, and query configuration settings.

Syntax

show ip igmp snooping [**vlan** *vlan-id*]

vlan-id - VLAN ID (1-4094)

Command Mode

Privileged Exec

Command Usage

This command displays global and VLAN-specific IGMP configuration settings.

Example

The following shows the current IGMP snooping configuration:

```
Console#show ip igmp snooping
IGMP Snooping                : Enabled
Router Port Expire Time      : 300 s
Router Alert Check           : Disabled
Router Port Mode              : Forward
TCN Flood                     : Disabled
TCN Query Solicit            : Disabled
Unregistered Data Flood      : Disabled
802.1p Forwarding Priority    : Disabled
Unsolicited Report Interval  : 400 s
Version Exclusive             : Disabled
Version                       : 2
```

```
Proxy Reporting                : Disabled
Report Suppression             : Disabled
Querier                        : Disabled

VLAN 1:
-----
IGMP Snooping                  : Enabled
IGMP Snooping Running Status  : Inactive
Version                        : Using global Version (2)
Version Exclusive              : Using global status (Disabled)
Immediate Leave                : Disabled
Last Member Query Interval     : 10 (unit: 1/10s)
Last Member Query Count       : 2
General Query Suppression     : Disabled
Query Interval                 : 125
Query Response Interval       : 100 (unit: 1/10s)
Proxy Query Address            : 0.0.0.0
Proxy Reporting                : Using global status (Disabled)
Report Suppression             : Using global status (Disabled)
Multicast Router Discovery     : Disabled

VLAN Static Group   Port
-----
1    224.1.1.1      Eth 1/ 1
:
```

show ip igmp snooping group This command shows known multicast group, source, and host port mappings for the specified VLAN interface, or for all interfaces if none is specified.

Syntax

```
show ip igmp snooping group [host-ip-addr ip-address interface | igmpsnp |  
sort-by-port | user | vlan vlan-id [user | igmpsnp]]
```

ip-address - IP address for multicast group

interface

ethernet *unit/port*

unit - Unit identifier.

port - Port number.

port-channel *channel-id*

igmpsnp - Display only entries learned through IGMP snooping.

sort-by-port - Display entries sorted by port.

user - Display only the user-configured multicast entries.

vlan-id - VLAN ID (1-4094)

Default Setting

None

Command Mode

Privileged Exec

Command Usage

Member types displayed include IGMP or USER, depending on selected options.

Example

The following shows the multicast entries learned through IGMP snooping for VLAN 1.

```

Console#show ip igmp snooping group vlan 1
Bridge Multicast Forwarding Entry Count:1
Flag: R - Router port, M - Group member port
      H - Host counts (number of hosts join the group on this port).
      P - Port counts (number of ports join the group).
Up time: Group elapsed time (d:h:m:s).
Expire : Group remaining time (m:s).

VLAN Group          Port          Up time      Expire Count
-----
  1 224.1.1.1
      Eth 1/ 1(R)
      Eth 1/ 2(M)
Console#
  
```

show ip igmp snooping mrouter This command displays information on statically configured and dynamically learned multicast router ports.

Syntax

```
show ip igmp snooping mrouter [vlan vlan-id]
```

vlan-id - VLAN ID (Range: 1-4094)

Default Setting

Displays multicast router ports for all configured VLANs.

Command Mode

Privileged Exec

Command Usage

Multicast router port types displayed include Static or Dynamic.

Example

The following shows the ports in VLAN 1 which are attached to multicast routers.

```

Console#show ip igmp snooping mrouter vlan 1
VLAN M'cast Router Port Type      Expire
-----
  1   Eth 1/4          Dynamic 0:4:28
  1   Eth 1/10         Static
Console#
  
```

show ip igmp snooping statistics This command shows IGMP snooping protocol statistics for the specified interface.

Syntax

```
show ip igmp snooping statistics
{input [interface interface] |
output [interface interface] |
query [vlan vlan-id]}
    interface
        ethernet unit/port
            unit - Unit identifier.
            port - Port number.
        port-channel channel-id
        vlan vlan-id - VLAN ID (Range: 1-4094)
    query - Displays IGMP snooping-related statistics.
```

Default Setting

None

Command Mode

Privileged Exec

Example

The following shows IGMP protocol statistics input:

```
Console#show ip igmp snooping statistics input interface ethernet 1/1
Input Statistics:
Interface Report   Leave    G Query  G(-S)-S Query Drop   Join Succ Group
-----
Eth 1/ 1          23      11       4           10           5           14       5
Console#
```

The following shows IGMP protocol statistics output:

```
Console#show ip igmp snooping statistics output interface ethernet 1/1
Output Statistics:
Interface Report   Leave    G Query  G(-S)-S Query Drop   Group
-----
Eth 1/ 1          12       0        1           0           0           0
Console#
```

The following shows IGMP query-related statistics for VLAN 1:

```

Console#show ip igmp snooping statistics query vlan 1
Other Querier           : None
Other Querier Expire    : 0(m):0(s)
Other Querier Uptime    : 0(h):0(m):0(s)
Self Querier            : 192.168.2.12
Self Querier Expire     : 0(m):0(s)
Self Querier Uptime     : 0(h):0(m):0(s)
General Query Received  : 0
General Query Sent      : 0
Specific Query Received : 0
Specific Query Sent     : 0
Warn Rate Limit         : 0 sec.
V1 Warning Count        : 0
V2 Warning Count        : 0
V3 Warning Count        : 0
Console#

```

Static Multicast Routing

This section describes commands used to configure static multicast routing on the switch.

Table 104: Static Multicast Interface Commands

Command	Function	Mode
<code>ip igmp snooping vlan mrouter</code>	Adds a multicast router port	GC
<code>show ip igmp snooping mrouter</code>	Shows multicast router ports	PE

ip igmp snooping vlan mrouter This command statically configures a (Layer 2) multicast router port on the specified VLAN. Use the **no** form to remove the configuration.

Syntax

`[no] ip igmp snooping vlan vlan-id mrouter interface`

vlan-id - VLAN ID (Range: 1-4094)

interface

ethernet *unit/port*

unit - Unit identifier.

port - Port number.

port-channel *channel-id*

Default Setting

No static multicast router ports are configured.

Command Mode
Global Configuration

Command Usage

- Depending on your network connections, IGMP snooping may not always be able to locate the IGMP querier. Therefore, if the IGMP querier is a known multicast router or switch connected over the network to an interface (port or trunk) on this switch, that interface can be manually configured to join all the current multicast groups.
- IGMP Snooping must be enabled globally on the switch (using the `ip igmp snooping` command) before a multicast router port can take effect.

Example

The following shows how to configure port 10 as a multicast router port within VLAN 1.

```
Console(config)#ip igmp snooping vlan 1 mrouter ethernet 1/10  
Console(config)#
```

IGMP Filtering and Throttling

In certain switch applications, the administrator may want to control the multicast services that are available to end users. For example, an IP/TV service based on a specific subscription plan. The IGMP filtering feature fulfills this requirement by restricting access to specified multicast services on a switch port, and IGMP throttling limits the number of simultaneous multicast groups a port can join.

Table 105: IGMP Filtering and Throttling Commands

Command	Function	Mode
<code>ip igmp filter</code>	Enables IGMP filtering and throttling on the switch	GC
<code>ip igmp profile</code>	Sets a profile number and enters IGMP filter profile configuration mode	GC
<code>permit, deny</code>	Sets a profile access mode to permit or deny	IPC
<code>range</code>	Specifies one or a range of multicast addresses for a profile	IPC
<code>ip igmp authentication</code>	Enables RADIUS authentication for IGMP JOIN requests.	IC
<code>ip igmp filter</code>	Assigns an IGMP filter profile to an interface	IC
<code>ip igmp max-groups</code>	Specifies an IGMP throttling number for an interface	IC
<code>ip igmp max-groups action</code>	Sets the IGMP throttling action for an interface	IC
<code>ip igmp query-drop</code>	Drops any received IGMP query packets	IC
<code>ip multicast-data-drop</code>	Drops all multicast data packets	IC
<code>show ip igmp authentication</code>	Displays IGMP authentication settings for interfaces	PE

Table 105: IGMP Filtering and Throttling Commands (Continued)

Command	Function	Mode
<code>show ip igmp filter</code>	Displays the IGMP filtering status	PE
<code>show ip igmp profile</code>	Displays IGMP profiles and settings	PE
<code>show ip igmp query-drop</code>	Shows if the interface is configured to drop IGMP query packets	PE
<code>show ip igmp throttle interface</code>	Displays the IGMP throttling setting for interfaces	PE
<code>show ip multicast-data-drop</code>	Shows if the interface is configured to drop multicast data packets	PE

ip igmp filter (Global Configuration) This command globally enables IGMP filtering and throttling on the switch. Use the **no** form to disable the feature.

Syntax

```
[no] ip igmp filter
```

Default Setting

Disabled

Command Mode

Global Configuration

Command Usage

- IGMP filtering enables you to assign a profile to a switch port that specifies multicast groups that are permitted or denied on the port. An IGMP filter profile can contain one or more, or a range of multicast addresses; but only one profile can be assigned to a port. When enabled, IGMP join reports received on the port are checked against the filter profile. If a requested multicast group is permitted, the IGMP join report is forwarded as normal. If a requested multicast group is denied, the IGMP join report is dropped.
- IGMP filtering and throttling only applies to dynamically learned multicast groups, it does not apply to statically configured groups.
- The IGMP filtering feature operates in the same manner when MVR is used to forward multicast traffic.

Example

```
Console(config)#ip igmp filter
Console(config)#
```

ip igmp profile This command creates an IGMP filter profile number and enters IGMP profile configuration mode. Use the **no** form to delete a profile number.

Syntax

```
[no] ip igmp profile profile-number
```

profile-number - An IGMP filter profile number. (Range: 1-4294967295)

Default Setting

Disabled

Command Mode

Global Configuration

Command Usage

A profile defines the multicast groups that a subscriber is permitted or denied to join. The same profile can be applied to many interfaces, but only one profile can be assigned to one interface. Each profile has only one access mode; either permit or deny.

Example

```
Console(config)#ip igmp profile 19  
Console(config-igmp-profile)#
```

permit, deny This command sets the access mode for an IGMP filter profile. Use the **no** form to delete a profile number.

Syntax

```
{permit | deny}
```

Default Setting

Deny

Command Mode

IGMP Profile Configuration

Command Usage

- Each profile has only one access mode; either permit or deny.
- When the access mode is set to permit, IGMP join reports are processed when a multicast group falls within the controlled range. When the access mode is set to deny, IGMP join reports are only processed when a multicast group is not in the controlled range.

Example

```
Console(config)#ip igmp profile 19
Console(config-igmp-profile)#permit
Console(config-igmp-profile)#
```

range This command specifies multicast group addresses for a profile. Use the **no** form to delete addresses from a profile.

Syntax

[no] range *low-ip-address* [*high-ip-address*]

low-ip-address - A valid IP address of a multicast group or start of a group range.

high-ip-address - A valid IP address for the end of a multicast group range.

Default Setting

None

Command Mode

IGMP Profile Configuration

Command Usage

Enter this command multiple times to specify more than one multicast address or address range for a profile.

Example

```
Console(config)#ip igmp profile 19
Console(config-igmp-profile)#range 239.1.1.1
Console(config-igmp-profile)#range 239.2.3.1 239.2.3.100
Console(config-igmp-profile)#
```

ip igmp authentication This command enables IGMP authentication on the specified interface. When enabled and an IGMP JOIN request is received, an authentication request is sent to a configured RADIUS server. Use the **no** form to disable IGMP authentication.

Syntax

[no] ip igmp authentication

Default Setting

Disabled

Command Mode

Interface Configuration (Ethernet, Port Channel)

Command Usage

- If IGMP authentication is enabled on an interface, and a join report is received on the interface, the switch will send an access request to the RADIUS server to perform authentication.
- Only when the RADIUS server responds with an authentication success message will the switch learn the group report. Once the group is learned, the switch will not send an access request to the RADIUS server when receiving the same report again within a one (1) day period.
- If the RADIUS server responds that authentication failed or the timer expires, the report will be dropped and the group will not be learned. The entry (host MAC, port number, VLAN ID, and group IP) will be put in the “authentication failed list”.
- The “authentication failed list” is valid for the period of the interval defined by the command `ip igmp snooping vlan query-interval`. When receiving the same report during this interval, the switch will not send the access request to the RADIUS server.
- If the interface leaves the group and subsequently rejoins the same group, the join report needs to again be authenticated.
- When receiving an IGMP v3 report message, the switch will send the access request to the RADIUS server only when the record type is either IS_EX or TO_EX, and the source list is empty. Other types of packets will not initiate RADIUS authentication.

IS_EX (MODE_IS_EXCLUDE) - Indicates that the interface’s filter mode is EXCLUDE for the specified multicast address. The Source Address fields in this Group Record contain the interface's source list for the specified multicast address, if not empty.

TO_EX (CHANGE_TO_EXCLUDE_MODE) - Indicates that the interface has changed to EXCLUDE filter mode for the specified multicast address. The Source Address fields in this Group Record contain the interface's new source list for the specified multicast address, if not empty.

- When a report is received for the first time and is being authenticated, whether authentication succeeds or fails, the report will still be sent to the multicast-router port.
- The following table shows the RADIUS server Attribute Value Pairs used for authentication:

Table 106: IGMP Authentication RADIUS Attribute Value Pairs

Attribute Name	AVP Type	Entry
USER_NAME	1	User MAC address
USER_PASSWORD	2	User MAC address

Table 106: IGMP Authentication RADIUS Attribute Value Pairs

Attribute Name	AVP Type	Entry
NAS_IP_ADDRESS	4	Switch IP address
NAS_PORT	5	User Port Number
FRAMED_IP_ADDRESS	8	Multicast Group ID

Example

This example shows how to enable IGMP Authentication on all of the switch's Ethernet interfaces.

```
Console(config)#interface ethernet 1/1-54
Console(config-if)#ip igmp authentication
Console#
```

ip igmp filter (Interface Configuration) This command assigns an IGMP filtering profile to an interface on the switch. Use the **no** form to remove a profile from an interface.

Syntax

[no] ip igmp filter *profile-number*

profile-number - An IGMP filter profile number. (Range: 1-4294967295)

Default Setting

None

Command Mode

Interface Configuration

Command Usage

- The IGMP filtering profile must first be created with the [ip igmp profile](#) command before being able to assign it to an interface.
- Only one profile can be assigned to an interface.
- A profile can also be assigned to a trunk interface. When ports are configured as trunk members, the trunk uses the filtering profile assigned to the first port member in the trunk.

Example

```
Console(config)#interface ethernet 1/1
Console(config-if)#ip igmp filter 19
Console(config-if)#
```

ip igmp max-groups This command sets the IGMP throttling number for an interface on the switch. Use the **no** form to restore the default setting.

Syntax

ip igmp max-groups *number*

no ip igmp max-groups

number - The maximum number of multicast groups an interface can join at the same time. (Range: 1-4095)

Default Setting

4095

Command Mode

Interface Configuration (Ethernet, Port Channel)

Command Usage

- IGMP throttling sets a maximum number of multicast groups that a port can join at the same time. When the maximum number of groups is reached on a port, the switch can take one of two actions; either “deny” or “replace” (see the [ip igmp max-groups action](#) command). If the action is set to deny, any new IGMP join reports will be dropped. If the action is set to replace, the switch randomly removes an existing group and replaces it with the new multicast group.
- IGMP throttling can also be set on a trunk interface. When ports are configured as trunk members, the trunk uses the throttling settings of the first port member in the trunk.

Example

```
Console(config)#interface ethernet 1/1
Console(config-if)#ip igmp max-groups 10
Console(config-if)#
```

ip igmp max-groups action This command sets the IGMP throttling action for an interface on the switch.

Syntax

ip igmp max-groups action {deny | replace}

deny - The new multicast group join report is dropped.

replace - The new multicast group replaces an existing group.

Default Setting

Deny

Command Mode

Interface Configuration (Ethernet, Port Channel)

Command Usage

When the maximum number of groups is reached on a port, the switch can take one of two actions; either “deny” or “replace.” If the action is set to deny, any new IGMP join reports will be dropped. If the action is set to replace, the switch randomly removes an existing group and replaces it with the new multicast group.

Example

```
Console(config)#interface ethernet 1/1
Console(config-if)#ip igmp max-groups action replace
Console(config-if)#
```

ip igmp query-drop This command drops any received IGMP query packets. Use the **no** form to restore the default setting.

Syntax

[no] ip igmp query-drop

Default Setting

Disabled

Command Mode

Interface Configuration (Ethernet, Port Channel)

Command Usage

This command can be used to drop any query packets received on the specified interface. If this switch is acting as a Querier, this prevents it from being affected by messages received from another Querier.

Example

```
Console(config)#interface ethernet 1/1
Console(config-if)#ip igmp query-drop
Console(config-if)#
```

ip multicast-data-drop This command drops all multicast data packets. Use the **no** form to disable this feature.

Syntax

[no] ip multicast-data-drop

Default Setting

Disabled

Command Mode

Interface Configuration (Ethernet, Port Channel)

Command Usage

This command can be used to stop multicast services from being forwarded to users attached to the downstream port (i.e., the interfaces specified by this command).

Example

```
Console(config)#interface ethernet 1/1
Console(config-if)#ip multicast-data-drop
Console(config-if)#
```

show ip igmp authentication

This command displays the interface settings for IGMP authentication.

Syntax

```
show ip igmp authentication interface [interface]
```

interface

ethernet *unit/port*

unit - Unit identifier.

port - Port number.

port-channel *channel-id*

Default Setting

None

Command Mode

Privileged Exec

Command Usage

Using this command without specifying an interface displays information for all interfaces.

Example

```
Console#show ip igmp authentication
Ethernet 1/1: Enabled
Ethernet 1/2: Enabled
Ethernet 1/3: Enabled
:
Ethernet 1/27: Enabled
Ethernet 1/28: Enabled
Other ports/port channels are Disable
Console#
```

show ip igmp filter This command displays the global and interface settings for IGMP filtering.

Syntax

```
show ip igmp filter [interface interface]
```

interface

```
ethernet unit/port
```

unit - Unit identifier.

port - Port number.

```
port-channel channel-id
```

Default Setting

None

Command Mode

Privileged Exec

Example

```
Console#show ip igmp filter
IGMP Filter enabled
Console#show ip igmp filter interface ethernet 1/1
Ethernet 1/1 information
-----
IGMP Profile 19
Deny
Range 239.1.1.1 239.1.1.1
Range 239.2.3.1 239.2.3.100
Console#
```

show ip igmp profile This command displays IGMP filtering profiles created on the switch.

Syntax

```
show ip igmp profile [profile-number]
```

profile-number - An existing IGMP filter profile number.
(Range: 1-4294967295)

Default Setting

None

Command Mode

Privileged Exec

Example

```
Console#show ip igmp profile
IGMP Profile 19
IGMP Profile 50
```

```
Console#show ip igmp profile 19
IGMP Profile 19
  Deny
  Range 239.1.1.1 239.1.1.1
  Range 239.2.3.1 239.2.3.100
Console#
```

show ip igmp query-drop This command shows if the specified interface is configured to drop IGMP query packets.

Syntax

```
show ip igmp throttle interface [interface]
```

interface

ethernet *unit/port*

unit - Unit identifier.

port - Port number.

port-channel *channel-id*

Default Setting

None

Command Mode

Privileged Exec

Command Usage

Using this command without specifying an interface displays all interfaces.

Example

```
Console#show ip igmp query-drop interface ethernet 1/1
Ethernet 1/1: Enabled
Console#
```

show ip igmp throttle interface This command displays the interface settings for IGMP throttling.

Syntax

```
show ip igmp throttle interface [interface]
```

interface

ethernet *unit/port*

unit - Unit identifier.

port - Port number.

port-channel *channel-id*

Default Setting

None

Command Mode

Privileged Exec

Command Usage

Using this command without specifying an interface displays information for all interfaces.

Example

```
Console#show ip igmp throttle interface ethernet 1/1
Eth 1/1 Information
                Status : FALSE
                Action  : Deny
                Max Multicast Groups : 1024
                Current Multicast Groups : 0

Console#
```

show ip multicast-data-drop This command shows if the specified interface is configured to drop multicast data packets.

Syntax

```
show ip igmp throttle interface [interface]
```

interface

ethernet *unit/port*

unit - Unit identifier.

port - Port number.

port-channel *channel-id*

Default Setting

None

Command Mode

Privileged Exec

Command Usage

Using this command without specifying an interface displays all interfaces.

Example

```
Console#show ip multicast-data-drop interface ethernet 1/1
Ethernet 1/1: Enabled
Console#
```

MLD Snooping

Multicast Listener Discovery (MLD) snooping operates on IPv6 traffic and performs a similar function to IGMP snooping for IPv4. That is, MLD snooping dynamically configures switch ports to limit IPv6 multicast traffic so that it is forwarded only to ports with users that want to receive it. This reduces the flooding of IPv6 multicast packets in the specified VLANs.

There are two versions of the MLD protocol, version 1 and version 2. MLDv1 control packets include Listener Query, Listener Report, and Listener Done messages (equivalent to IGMPv2 query, report, and leave messages). MLDv2 control packets include MLDv2 query and report messages, as well as MLDv1 report and done messages.

Remember that IGMP Snooping and MLD Snooping are independent functions, and can therefore both function at the same time.

Table 107: MLD Snooping Commands

Command	Function	Mode
<code>ipv6 mld snooping</code>	Enables MLD Snooping globally	GC
<code>ipv6 mld snooping proxy-reporting</code>	Enables MLD Snooping with Proxy Reporting	GC
<code>ipv6 mld snooping querier</code>	Allows the switch to act as the querier for MLD snooping	GC
<code>ipv6 mld snooping query-interval</code>	Configures the interval between sending MLD general query messages	GC
<code>ipv6 mld snooping query-max-response-time</code>	Configures the maximum response time for a general queries	GC
<code>ipv6 mld snooping robustness</code>	Configures the robustness variable	GC
<code>ipv6 mld snooping router-port-expire-time</code>	Configures the router port expire time	GC
<code>ipv6 mld snooping unknown-multicast mode</code>	Sets an action for unknown multicast packets	GC
<code>ipv6 mld snooping unsolicited-report-interval</code>	Specifies how often the upstream interface should transmit unsolicited MLD snooping reports (when proxy reporting is enabled)	GC
<code>ipv6 mld snooping version</code>	Configures the MLD Snooping version	GC
<code>ipv6 mld snooping vlan immediate-leave</code>	Removes a member port of an IPv6 multicast service if a leave packet is received at that port and MLD immediate-leave is enabled for the parent VLAN	GC
<code>ipv6 mld snooping vlan mrouter</code>	Adds an IPv6 multicast router port	GC
<code>ipv6 mld snooping vlan static</code>	Adds an interface as a member of a multicast group	GC
<code>clear ipv6 mld snooping groups dynamic</code>	Clears multicast group information dynamically learned through MLD snooping	PE

Table 107: MLD Snooping Commands (Continued)

Command	Function	Mode
<code>clear ipv6 mld snooping statistics</code>	Clears MLD snooping statistics	PE
<code>show ipv6 mld snooping</code>	Displays MLD Snooping configuration	PE
<code>show ipv6 mld snooping group</code>	Displays the learned groups	PE
<code>show ipv6 mld snooping group source-list</code>	Displays the learned groups and corresponding source list	PE
<code>show ipv6 mld snooping mrouter</code>	Displays the information of multicast router ports	PE
<code>show ipv6 mld snooping statistics</code>	Shows IGMP snooping protocol statistics for the specified interface	PE

ipv6 mld snooping This command enables MLD Snooping globally on the switch. Use the **no** form to disable MLD Snooping.

Syntax

```
[no] ipv6 mld snooping
```

Default Setting

Disabled

Command Mode

Global Configuration

Example

The following example enables MLD Snooping:

```
Console(config)#ipv6 mld snooping
Console(config)#
```

ipv6 mld snooping proxy-reporting This command enables MLD Snooping with Proxy Reporting. Use the **no** form to restore the default setting.

Syntax

```
[no] ipv6 mld snooping proxy-reporting
```

Default Setting

Disabled

Command Mode

Global Configuration

Command Usage

- When proxy reporting is enabled with this command, reports received from downstream hosts are summarized and used to build internal membership states. Proxy-reporting devices may use the all-zeros IP source address when forwarding any summarized reports upstream. For this reason, IGMP membership reports received by the snooping switch must not be rejected because the source IP address is set to 0.0.0.0.

Example

```
Console(config)#ipv6 mld snooping proxy-reporting  
Console(config)#
```

ipv6 mld snooping querier This command allows the switch to act as the querier for MLDv2 snooping. Use the `no` form to disable this feature.

Syntax

`[no] ipv6 mld snooping querier`

Default Setting

Disabled

Command Mode

Global Configuration

Command Usage

- If enabled, the switch will serve as querier if elected. The querier is responsible for asking hosts if they want to receive multicast traffic.
- An IPv6 address must be configured on the VLAN interface from which the querier will act if elected. When serving as the querier, the switch uses its own IPv6 address as the query source address.
- The querier will not start or will disable itself after having started if it detects an IPv6 multicast router on the network.

Example

```
Console(config)#ipv6 mld snooping querier  
Console(config)#
```

ipv6 mld snooping query-interval This command configures the interval between sending MLD general queries. Use the **no** form to restore the default.

Syntax

ipv6 mld snooping query-interval *interval*

no ipv6 mld snooping query-interval

interval - The interval between sending MLD general queries.
(Range: 60-125 seconds)

Default Setting

125 seconds

Command Mode

Global Configuration

Command Usage

- This command applies when the switch is serving as the querier.
- An MLD general query message is sent by the switch at the interval specified by this command. When this message is received by downstream hosts, all receivers build an MLD report for the multicast groups they have joined.

Example

```
Console(config)#ipv6 mld snooping query-interval 150  
Console(config)#
```

ipv6 mld snooping query-max-response-time This command configures the maximum response time advertised in MLD general queries. Use the **no** form to restore the default.

Syntax

ipv6 mld snooping query-max-response-time *seconds*

no ipv6 mld snooping query-max-response-time

seconds - The maximum response time allowed for MLD general queries.
(Range: 5-25 seconds)

Default Setting

10 seconds

Command Mode

Global Configuration

Command Usage

This command controls how long the host has to respond to an MLD Query message before the switch deletes the group if it is the last member.

Example

```
Console(config)#ipv6 mld snooping query-max-response-time seconds 15  
Console(config)#
```

ipv6 mld snooping robustness This command configures the MLD Snooping robustness variable. Use the **no** form to restore the default value.

Syntax

ipv6 mld snooping robustness *value*

no ipv6 mld snooping robustness

value - The number of the robustness variable. (Range: 2-10)

Default Setting

2

Command Mode

Global Configuration

Command Usage

A port will be removed from the receiver list for a multicast service when no MLD reports are detected in response to a number of MLD queries. The robustness variable sets the number of queries on ports for which there is no report.

Example

```
Console(config)#ipv6 mld snooping robustness 2  
Console(config)#
```

ipv6 mld snooping router-port-expire-time This command configures the MLD query timeout. Use the **no** form to restore the default.

Syntax

ipv6 mld snooping router-port-expire-time *time*

no ipv6 mld snooping router-port-expire-time

time - Specifies the timeout of a dynamically learned router port.
(Range: 300-500 seconds)

Default Setting

300 seconds

Command Mode

Global Configuration

Command Usage

The router port expire time is the time the switch waits after the previous querier stops before it considers the router port (i.e., the interface that had been receiving query packets) to have expired.

Example

```
Console(config)#ipv6 mld snooping router-port-expire-time 300
Console(config)#
```

ipv6 mld snooping unknown-multicast mode

This command sets the action for dealing with unknown multicast packets. Use the **no** form to restore the default.

Syntax

```
ipv6 mld snooping unknown-multicast mode {flood | to-router-port}
```

```
no ipv6 mld snooping unknown-multicast mode
```

flood - Floods the unknown multicast data packets to all ports.

to-router-port - Forwards the unknown multicast data packets to router ports.

Default Setting

to-router-port

Command Mode

Global Configuration

Command Usage

- When set to “flood,” any received IPv6 multicast packets that have not been requested by a host are flooded to all ports in the VLAN.
- When set to “router-port,” any received IPv6 multicast packets that have not been requested by a host are forwarded to ports that are connected to a detected multicast router.

Example

```
Console(config)#ipv6 mld snooping unknown-multicast mode flood
Console(config)#
```

ipv6 mld snooping unsolicited-report-interval This command specifies how often the upstream interface should transmit unsolicited MLD snooping reports when proxy reporting is enabled. Use the **no** form to restore the default value.

Syntax

ipv6 mld snooping unsolicited-report-interval *seconds*

no ipv6 mld snooping unsolicited-report-interval

seconds - The interval at which to issue unsolicited reports.
(Range: 1-65535 seconds)

Default Setting

400 seconds

Command Mode

Global Configuration

Command Usage

- When a new upstream interface (that is, uplink port) starts up, the switch sends unsolicited reports for all currently learned multicast channels out through the new upstream interface.
- This command only applies when proxy reporting is enabled (see [page 649](#)).

Example

```
Console(config)#ipv6 mld snooping unsolicited-report-interval 5  
Console(config)#
```

ipv6 mld snooping version This command configures the MLD snooping version. Use the **no** form to restore the default.

Syntax

ipv6 mld snooping version {1 | 2}

1 - MLD version 1.

2 - MLD version 2.

Default Setting

Version 1

Command Mode

Global Configuration

Example

```
Console(config)#ipv6 mld snooping version 1
Console(config)#
```

ipv6 mld snooping vlan immediate- leave

This command immediately deletes a member port of an IPv6 multicast service when a leave packet is received at that port and immediate-leave is enabled for the parent VLAN. Use the **no** form to restore the default.

Syntax

```
ipv6 mld snooping vlan vlan-id immediate-leave [by-host-ip]
```

vlan-id - A VLAN identification number. (Range: 1-4094)

by-host-ip - Specifies that the member port will be deleted only when there are no hosts joining this group.

Default Setting

Disabled

Command Mode

Global Configuration

Command Usage

- If MLD immediate-leave is *not* used, a multicast router (or querier) will send a group-specific query message when an MLD group leave message is received. The router/querier stops forwarding traffic for that group only if no host replies to the query within the specified timeout period.
- If MLD immediate-leave is enabled, the switch assumes that only one host is connected to the interface. Therefore, immediate leave should only be enabled on an interface if it is connected to only one MLD-enabled device, either a service host or a neighbor running MLD snooping.
- If the “by-host-ip” option is used, the router/querier will not send out a group-specific query when an MLD leave message is received, but will check if there are other hosts joining the multicast group. Only when all hosts on that port leave the group will the member port be deleted.

Example

The following shows how to enable MLD immediate leave.

```
Console(config)#ipv6 mld snooping immediate-leave
Console(config)#
```

**ipv6 mld snooping
vlan mrouter** This command statically configures an IPv6 multicast router port. Use the **no** form to remove the configuration.

Syntax

```
[no] ipv6 mld snooping vlan vlan-id mrouter interface
```

vlan-id - VLAN ID (Range: 1-4094)

interface

ethernet *unit/port*

unit - Unit identifier.

port - Port number.

port-channel *channel-id*

Default Setting

No static multicast router ports are configured.

Command Mode

Global Configuration

Command Usage

Depending on your network connections, MLD snooping may not always be able to locate the MLD querier. Therefore, if the MLD querier is a known multicast router/switch connected over the network to an interface (port or trunk) on the switch, you can manually configure that interface to join all the current multicast groups.

Example

The following shows how to configure port 1 as a multicast router port within VLAN 1:

```
Console(config)#ipv6 mld snooping vlan 1 mrouter ethernet 1/1  
Console(config)#
```

**ipv6 mld snooping
vlan static** This command adds a port to an IPv6 multicast group. Use the **no** form to remove the port.

Syntax

```
[no] ipv6 mld snooping vlan vlan-id static ipv6-address interface
```

vlan - VLAN ID (Range: 1-4094)

ipv6-address - An IPv6 address of a multicast group. (Format: X:X:X:X::X)

interface

ethernet *unit/port*

unit - Unit identifier.

port - Port number.

port-channel *channel-id*

Default Setting

None

Command Mode

Global Configuration

Example

```
Console(config)#ipv6 mld snooping vlan 1 static ff00:0:0:0:0:0:10c ethernet
1/6
Console(config)#
```

clear ipv6 mld snooping groups dynamic This command clears multicast group information dynamically learned through MLD snooping.

Syntax

clear ipv6 mld snooping groups dynamic

Command Mode

Privileged Exec

Command Usage

This command only clears entries learned through MLD snooping. Statically configured multicast address are not cleared.

Example

```
Console#clear ipv6 mld snooping groups dynamic
Console#
```

clear ipv6 mld snooping statistics This command clears MLD snooping statistics.

Syntax

clear ipv6 mld snooping statistics [interface *interface*]

interface

ethernet *unit/port*

unit - Unit identifier.

port - Port number.

port-channel *channel-id*

vlan *vlan-id* - VLAN identifier (Range: 1-4094)

Command Mode

Privileged Exec

Example

```
Console#clear ipv6 mld snooping statistics
Console#
```

show ipv6 mld snooping This command shows the current MLD Snooping configuration.

Syntax

show ipv6 mld snooping [**vlan** [*vlan-id*]]

vlan-id - VLAN ID (1-4094)

Command Mode

Privileged Exec

Command Usage

This command displays global and VLAN-specific MLD snooping configuration settings.

Example

The following shows MLD Snooping configuration information

```
Console#show ipv6 mld snooping
Service Status           : Disabled
Proxy Reporting          : Disabled
Querier Status           : Disabled
Robustness                : 2
Query Interval           : 125 sec
Query Max Response Time  : 10 sec
Router Port Expiry Time  : 300 sec
Unsolicited Report Interval : 400 sec
Immediate Leave          : Disabled on all VLAN
Immediate Leave By Host  : Disabled on all VLAN
Unknown Flood Behavior   : To Router Port
MLD Snooping Version     : Version 2
```

VLAN	Group	IPv6 Address	Port
1		ff05:0:1:2:3:4:5:6	Eth 1/1

```
Console#show ipv6 mld snooping vlan
VLAN 1
```

```

Immediate Leave          : Disabled
Unknown Flood Behavior  : To Router Port
Console#

```

show ipv6 mld snooping group This command shows known multicast groups, member ports, and the means by which each group was learned.

Syntax

```
show ipv6 mld snooping group
```

Command Mode

Privileged Exec

Example

The following shows MLD Snooping group configuration information:

```

Console#show ipv6 mld snooping group

Total Entries 3, limit 255

VLAN Multicast IPv6 Address          Member Port Type
-----
  1 FF02::01:01:01:01                Eth 1/1      MLD Snooping
  1 FF02::01:01:01:02                Eth 1/1      Multicast Data
  1 FF02::01:01:01:02                Eth 1/1      User

Console#

```

show ipv6 mld snooping group source-list This command shows known multicast groups, member ports, the means by which each group was learned, and the corresponding source list.

Syntax

```
show ipv6 mld snooping group source-list [ipv6-address | vlan vlan-id]
```

ipv6-address - An IPv6 address of a multicast group. (Format: X:X:X:X::X)

vlan-id - VLAN ID (1-4094)

Command Mode

Privileged Exec

Example

The following shows MLD Snooping group mapping information:

```

Console#show ipv6 mld snooping group source-list

VLAN ID          : 1
Multicast IPv6 Address : FF02::01:01:01:01
Member Port      : Eth 1/1

```

```
MLD Snooping           : Multicast Data
Filter Mode             : Include
(if exclude filter mode)
Filter Timer Elapse    : 10 sec.
Request List           : ::01:02:03:04, ::01:02:03:05, ::01:02:03:06,
                       : ::01:02:03:07
Exclude List           : ::02:02:03:04, ::02:02:03:05, ::02:02:03:06,
                       : ::02:02:03:07
(if include filter mode)
Include List           : ::02:02:03:04, ::02:02:03:05, ::02:02:03:06,
                       : ::02:02:03:06

Option:
  Filter Mode: Include, Exclude

Console#
```

show ipv6 mld snooping mrouter This command shows MLD Snooping multicast router information.

Syntax

```
show ipv6 mld snooping mrouter vlan vlan-id
```

vlan-id - A VLAN identification number. (Range: 1-4094)

Command Mode

Privileged Exec

Example

```
Console#show ipv6 mld snooping mrouter vlan 1
VLAN Multicast Router Port Type      Expire
-----
  1 Eth 1/ 2                Static

Console#
```

show ipv6 mld snooping statistics This command shows MLD snooping protocol statistics for the specified interface.

Syntax

```
show ipv6 mld snooping statistics
{input [interface interface] |
output [interface interface] |
query [vlan vlan-id] |
summary interface interface}

interface

ethernet unit/port
```

- unit* - Unit identifier.
- port* - Port number.
- port-channel** *channel-id*
- vlan** *vlan-id* - VLAN ID (Range: 1-4094)
- query** - Displays MLD snooping query-related statistics.

Default Setting

None

Command Mode

Privileged Exec

Example

The following shows MLD snooping input-related message statistics:

```

Console#show ipv6 mld snooping statistics input interface ethernet 1/1
Input Statistics:
Interface Report   Leave   G Query   G(-S)-S Query Drop   Join Succ Group
-----
Eth 1/ 1           4       0         0           0       0         0       2
Console#

```

The following shows MLD snooping output-related message statistics:

```

Console#show ipv6 mld snooping statistics output interface ethernet 1/1
Output Statistics:
Interface Report   Leave   G Query   G(-S)-S Query Drop   Group
-----
Eth 1/ 1           0       0         5           0       0         2
Console#

```

The following shows MLD snooping query-related message statistics:

```

Console#show ipv6 mld snooping statistics query vlan 1
Other Querier Address      : None
Other Querier Expire      : 0(m):0(s)
Other Querier Uptime      : 0(h):0(m):0(s)
Self Querier Address      : ::
Self Querier Expire Time  : 1(m):49(s)
Self Querier UpTime       : 0(h):9(m):6(s)
General Query Received    : 0
General Query Sent        : 6
Specific Query Received   : 0
Specific Query Sent       : 0
Console#

```

The following shows MLD snooping summary statistics:

```

Console#show ipv6 mld snooping statistics summary interface e 1/1
Number of Groups: 1

```

```

Querier:          :
Transmit         :
  General        : 6
  Group Specific: 0
Recieved        :
  General        : 0
  Group Specific: 0

Report & Leave:  :
Transmit         :
  Report        : 0
  Leave        : 0
Recieved        :
  Report        : 4
  Leave        : 0
  join Success  : 0
  Filter Drop   : 0
  Source Port Drop: 0
  Others Drop   : 0

Console#show ipv6 mld snooping statistics summary interface vlan 1
Number of Groups: 1
Querier:          :
  Other Querier  : None

Other Uptime     : 0 (h) : 0 (m) : 0 (s)
Other Expire     : 0 (m) : 0 (s)
Self Addr       : None
Self Expire     : 2 (m) : 3 (s)
Self Uptime     : 0 (h) : 10 (m) : 58 (s)
Transmit        :
  General        : 7
  Group Specific: 0
Recieved        :
  General        : 0
  Group Specific: 0

Report & Leave:  :
Host Addr       : None
Unsolicit Expire : 0 sec

Transmit        :
  Report        : 0
  Leave        : 0
Recieved        :
  Report        : 4
  Leave        : 0
  join Success  : 0
  Filter Drop   : 0
  Source Port Drop: 0
  Others Drop   : 0

Console#

```

MLD Filtering and Throttling

In certain switch applications, the administrator may want to control the multicast services that are available to end users. For example, an IP/TV service based on a specific subscription plan. The MLD filtering feature fulfills this requirement by restricting access to specified multicast services on a switch port, and MLD throttling limits the number of simultaneous multicast groups a port can join.

Table 108: MLD Filtering and Throttling Commands

Command	Function	Mode
<code>ipv6 mld filter</code>	Enables MLD filtering and throttling on the switch	GC
<code>ipv6 mld profile</code>	Sets a profile number and enters MLD filter profile configuration mode	GC
<code>permit, deny</code>	Sets a profile access mode to permit or deny	IPC
<code>range</code>	Specifies one or a range of multicast addresses for a profile	IPC
<code>ipv6 mld filter</code>	Assigns an MLD filter profile to an interface	IC
<code>ipv6 mld max-groups</code>	Specifies an M:D throttling number for an interface	IC
<code>ipv6 mld max-groups action</code>	Sets the MLD throttling action for an interface	IC

Table 108: MLD Filtering and Throttling Commands (Continued)

Command	Function	Mode
<code>ipv6 mld query-drop</code>	Drops any received MLD query packets	IC
<code>ipv6 multicast-data-drop</code>	Enable multicast data guard mode on a port interface	IC
<code>show ipv6 mld filter</code>	Displays the MLD filtering status	PE
<code>show ipv6 mld profile</code>	Displays MLD profiles and settings	PE
<code>show ipv6 mld query-drop</code>	Shows if the interface is configured to drop MLD query packets	PE
<code>show ipv6 mld throttle interface</code>	Displays the MLD throttling setting for interfaces	PE

ipv6 mld filter (Global Configuration) This command globally enables MLD filtering and throttling on the switch. Use the **no** form to disable the feature.

Syntax

`[no] ipv6 mld filter`

Default Setting

Disabled

Command Mode

Global Configuration

Command Usage

- MLD filtering enables you to assign a profile to a switch port that specifies multicast groups that are permitted or denied on the port. An MLD filter profile can contain one or more, or a range of multicast addresses; but only one profile can be assigned to a port. When enabled, MLD join reports received on the port are checked against the filter profile. If a requested multicast group is permitted, the MLD join report is forwarded as normal. If a requested multicast group is denied, the MLD join report is dropped.
- MLD filtering and throttling only applies to dynamically learned multicast groups, it does not apply to statically configured groups.
- The MLD filtering feature operates in the same manner when MVR6 is used to forward multicast traffic.

Example

```
Console(config)#ipv6 mld filter
Console(config)#
```

ipv6 mld profile This command creates an MLD filter profile number and enters MLD profile configuration mode. Use the **no** form to delete a profile number.

Syntax

```
[no] ipv6 mld profile profile-number
```

profile-number - An MLD filter profile number. (Range: 1-4294967295)

Default Setting

Disabled

Command Mode

Global Configuration

Command Usage

A profile defines the multicast groups that a subscriber is permitted or denied to join. The same profile can be applied to many interfaces, but only one profile can be assigned to one interface. Each profile has only one access mode; either permit or deny.

Example

```
Console(config)#ipv6 mld profile 19  
Console(config-mld-profile)#
```

permit, deny This command sets the access mode for an MLD filter profile. Use the **no** form to delete a profile number.

Syntax

```
{permit | deny}
```

Default Setting

deny

Command Mode

MLD Profile Configuration

Command Usage

- Each profile has only one access mode; either permit or deny.
- When the access mode is set to permit, MLD join reports are processed when a multicast group falls within the controlled range. When the access mode is set to deny, MLD join reports are only processed when a multicast group is not in the controlled range.

Example

```
Console(config)#ipv6 mld profile 19
Console(config-mld-profile)#permit
Console(config-mld-profile)#
```

range This command specifies multicast group addresses for a profile. Use the **no** form to delete addresses from a profile.

Syntax

[no] range *low-ipv6-address* [*high-ipv6-address*]

low-ipv6-address - A valid IPv6 address (X:X:X:X::X) of a multicast group or start of a group range.

high-ipv6-address - A valid IPv6 address (X:X:X:X::X) for the end of a multicast group range.

Default Setting

None

Command Mode

MLD Profile Configuration

Command Usage

Enter this command multiple times to specify more than one multicast address or address range for a profile.

Example

```
Console(config-mld-profile)#range ff01::0101 ff01::0202
Console(config-mld-profile)#
```

ipv6 mld filter (Interface Configuration) This command assigns an MLD filtering profile to an interface on the switch. Use the **no** form to remove a profile from an interface.

Syntax

[no] ipv6 mld filter *profile-number*

profile-number - An MLD filter profile number. (Range: 1-4294967295)

Default Setting

None

Command Mode

Interface Configuration

Command Usage

- The MLD filtering profile must first be created with the `ipv6 mld profile` command before being able to assign it to an interface.
- Only one profile can be assigned to an interface.
- A profile can also be assigned to a trunk interface. When ports are configured as trunk members, the trunk uses the filtering profile assigned to the first port member in the trunk.

Example

```
Console(config)#interface ethernet 1/1
Console(config-if)#ipv6 mld filter 19
Console(config-if)#
```

ipv6 mld max-groups This command configures the maximum number of MLD groups that an interface can join. Use the `no` form to restore the default setting.

Syntax

`ipv6 mld max-groups number`

`no ipv6 mld max-groups`

number - The maximum number of multicast groups an interface can join at the same time. (Range: 1-255)

Default Setting

255

Command Mode

Interface Configuration (Ethernet, Port Channel)

Command Usage

- MLD throttling sets a maximum number of multicast groups that a port can join at the same time. When the maximum number of groups is reached on a port, the switch can take one of two actions; either “deny” or “replace.” If the action is set to deny, any new MLD join reports will be dropped. If the action is set to replace, the switch randomly removes an existing group and replaces it with the new multicast group.
- MLD throttling can also be set on a trunk interface. When ports are configured as trunk members, the trunk uses the throttling settings of the first port member in the trunk.
- If the maximum number of MLD groups is set to the default value, the running status of MLD throttling will change to false. This means that any configuration

for MLD throttling will have no effect until the maximum number of MLD groups is configured to another value.

Example

```
Console(config)#interface ethernet 1/1
Console(config-if)#ipv6 mld max-groups 10
Console(config-if)#
```

ipv6 mld max-groups action This command sets the MLD throttling action for an interface on the switch.

Syntax

ipv6 mld max-groups action {deny | replace}

deny - The new multicast group join report is dropped.

replace - The new multicast group replaces an existing group.

Default Setting

Deny

Command Mode

Interface Configuration (Ethernet)

Command Usage

When the maximum number of groups is reached on a port, the switch can take one of two actions; either “deny” or “replace.” If the action is set to deny, any new MLD join reports will be dropped. If the action is set to replace, the switch randomly removes an existing group and replaces it with the new multicast group.

Example

```
Console(config)#interface ethernet 1/1
Console(config-if)#ipv6 mld max-groups action replace
Console(config-if)#
```

ipv6 mld query-drop This command drops any received MLD query packets. Use the no form to restore the default setting.

Syntax

[no] ipv6 mld query-drop

Default Setting

Disabled

Command Mode

Interface Configuration (Ethernet, Port Channel)

Command Usage

This command can be used to drop any query packets received on the specified interface. If this switch is acting as a Querier, this prevents it from being affected by messages received from another Querier.

Example

```
Console(config)#interface ethernet 1/1
Console(config-if)#ipv6 mld query-drop
Console(config-if)#
```

ipv6 multicast-data-drop Use this command to enable multicast data drop mode on a port interface. Use the no form of the command to disable multicast data drop.

Syntax

[no] ipv6 multicast-data-drop

Default Setting

Disabled

Command Mode

Interface Configuration

Example

```
Console(config)#interface ethernet 1/3
Console(config-if)#ipv6 multicast-data-drop
Console(config-if)#
```

show ipv6 mld filter This command displays the global and interface settings for MLD filtering.

Syntax

show ipv6 mld filter [interface *interface*]

interface

ethernet *unit/port*

unit - Unit identifier.

port - Port number.

port-channel *channel-id*

Default Setting

None

Command Mode

Privileged Exec

Example

```

Console#show ipv6 mld filter
MLD filter Enabled
Console#show ipv6 mld filter interface ethernet 1/3
Ethernet 1/3 information
-----
MLD Profile 19
Deny
Range ff01::101          ff01::faa
Console#

```

show ipv6 mld profile This command displays MLD filtering profiles created on the switch.

Syntax

show ipv6 mld profile [*profile-number*]

profile-number - An existing MLD filter profile number.
(Range: 1-4294967295)

Default Setting

None

Command Mode

Privileged Exec

Example

```

Console#show ipv6 mld profile
MLD Profile 19
MLD Profile 50
Console#show ipv6 mld profile 5
MLD Profile 19
Deny
Range ff01::101          ff01::faa
Console#

```

show ipv6 mld query-drop This command shows if the specified interface is configured to drop MLD query packets.

Syntax

show ipv6 mld query-drop interface [*interface*]

interface

ethernet *unit/port*

unit - Unit identifier.

port - Port number.

port-channel *channel-id*

Default Setting

None

Command Mode

Privileged Exec

Command Usage

Using this command without specifying an interface displays all interfaces.

Example

```
Console#show ipv6 mld query-drop interface ethernet 1/1
Ethernet 1/1: Enabled
Console#
```

show ipv6 mld throttle interface

This command displays the interface settings for MLD throttling.

Syntax

show ipv6 mld throttle interface [*interface*]

interface

ethernet *unit/port*

unit - Unit identifier.

port - Port number.

port-channel *channel-id*

Default Setting

None

Command Mode

Privileged Exec

Command Usage

Using this command without specifying an interface displays information for all interfaces.

Example

```
Console#show ipv6 mld throttle interface ethernet 1/3
Eth 1/3 Information
  Status                : TRUE
  Action                 : Replace
```

```
Max Multicast Groups      : 10
Current Multicast Groups : 0
```

```
Console#
```

MVR for IPv4

This section describes commands used to configure Multicast VLAN Registration for IPv4 (MVR). A single network-wide VLAN can be used to transmit multicast traffic (such as television channels) across a service provider’s network. Any multicast traffic entering an MVR VLAN is sent to all subscribers. This can significantly reduce to processing overhead required to dynamically monitor and establish the distribution tree for a normal multicast VLAN. Also note that MVR maintains the user isolation and data security provided by VLAN segregation by passing only multicast traffic into other VLANs to which the subscribers belong.

Table 109: Multicast VLAN Registration for IPv4 Commands

Command	Function	Mode
<code>mvr</code>	Globally enables MVR	GC
<code>mvr associated-profile</code>	Binds the MVR group addresses specified in a profile to an MVR domain	GC
<code>mvr domain</code>	Enables MVR for a specific domain	GC
<code>mvr priority</code>	Assigns a priority to all multicast traffic in the MVR VLAN	GC
<code>mvr profile</code>	Maps a range of MVR group addresses to a profile	GC
<code>mvr proxy-query-interval</code>	Configures the interval at which the receiver port sends out general queries.	GC
<code>mvr proxy-switching</code>	Enables MVR proxy switching, where the source port acts as a host, and the receiver port acts as an MVR router with querier service enabled	GC
<code>mvr robustness-value</code>	Configures the expected packet loss, and thereby the number of times to generate report and group-specific queries	GC
<code>mvr source-port-mode dynamic</code>	Configures the switch to only forward multicast streams which the source port has dynamically joined	GC
<code>mvr upstream-source-ip</code>	Configures the source IP address assigned to all control packets sent upstream	GC
<code>mvr vlan</code>	Specifies the VLAN through which MVR multicast data is received	GC
<code>mvr immediate-leave</code>	Enables immediate leave capability	IC
<code>mvr type</code>	Configures an interface as an MVR receiver or source port	IC
<code>mvr vlan group</code>	Statically binds a multicast group to a port	IC
<code>clear mrv groups dynamic</code>	Clears multicast group information dynamically learned through MVR	PE
<code>clear mrv statistics</code>	Clears MRV statistics	PE

Table 109: Multicast VLAN Registration for IPv4 Commands (Continued)

Command	Function	Mode
<code>show mvr</code>	Shows information about MVR domain settings, including MVR operational status, the multicast VLAN, the current number of group addresses, and the upstream source IP address	PE
<code>show mvr associated-profile</code>	Shows the profiles bound the specified domain	PE
<code>show mvr interface</code>	Shows MVR settings for interfaces attached to the MVR VLAN	PE
<code>show mvr members</code>	Shows information about the current number of entries in the forwarding database, or detailed information about a specific multicast address	PE
<code>show mvr profile</code>	Shows all configured MVR profiles	PE
<code>show mvr statistics</code>	Shows MVR protocol statistics for the specified interface	PE

mvr This command enables Multicast VLAN Registration (MVR) globally on the switch. Use the **no** form of this command to globally disable MVR.

Syntax

`[no] mvr`

Default Setting

Disabled

Command Mode

Global Configuration

Command Usage

Only IGMP version 2 or 3 hosts can issue multicast join or leave messages. If MVR must be configured for an IGMP version 1 host, the multicast groups must be statically assigned using the `mvr vlan group` command.

Example

The following example enables MVR globally.

```
Console(config)#mvr
Console(config)#
```


mvr associated-profile This command binds the MVR group addresses specified in a profile to an MVR domain. Use the **no** form of this command to remove the binding.

Syntax

```
[no] mvr domain domain-id associated-profile profile-name
```

domain-id - An independent multicast domain. (Range: 1-5)

profile-name - The name of a profile containing one or more MVR group addresses. (Range: 1-21 characters)

Default Setting

Disabled

Command Mode

Global Configuration

Example

The following an MVR group address profile to domain 1:

```
Console(config)#mvr domain 1 associated-profile rd
Console(config)#
```

mvr domain This command enables Multicast VLAN Registration (MVR) for a specific domain. Use the **no** form of this command to disable MVR for a domain.

Syntax

```
[no] mvr domain domain-id
```

domain-id - An independent multicast domain. (Range: 1-5)

Default Setting

Disabled

Command Mode

Global Configuration

Command Usage

Only IGMP version 2 or 3 hosts can issue multicast join or leave messages. If MVR must be configured for an IGMP version 1 host, the multicast groups must be statically assigned using the **mvr vlan group** command.

Example

The following example enables MVR for domain 1:

```
Console(config)#mvr domain 1
Console(config)#
```

mvr priority This command assigns a priority to all multicast traffic in the MVR VLAN. Use the **no** form of this command to restore the default setting.

Syntax

mvr priority *priority*

no mvr priority

priority - The CoS priority assigned to all multicast traffic forwarded into the MVR VLAN. (Range: 0-7, where 7 is the highest priority)

Default Setting

Disabled

Command Mode

Global Configuration

Command Usage

This command can be used to set a high priority for low-latency multicast traffic such as a video-conference, or to set a low priority for normal multicast traffic not sensitive to latency.

Example

```
Console(config)#mvr priority 6
Console(config)#
```

mvr profile This command maps a range of MVR group addresses to a profile. Use the **no** form of this command to remove the profile.

Syntax

mvr profile *profile-name start-ip-address end-ip-address*

no mvr profile *profile-name*

profile-name - The name of a profile containing one or more MVR group addresses. (Range: 1-21 characters)

start-ip-address - Starting IPv4 address for an MVR multicast group. (Range: 224.0.1.0 - 239.255.255.255)

end-ip-address - Ending IPv4 address for an MVR multicast group.
(Range: 224.0.1.0 - 239.255.255.255)

Default Setting

No profiles are defined

Command Mode

Global Configuration

Command Usage

- Use this command to statically configure all multicast group addresses that will join the MVR VLAN. Any multicast data associated an MVR group is sent from all source ports to all receiver ports that have registered to receive data from that multicast group.
- The IP address range from 224.0.0.0 to 239.255.255.255 is used for multicast streams. MVR group addresses cannot fall within the reserved IP multicast address range of 224.0.0.x.
- IGMP snooping and MVR share a maximum number of 4095 groups. Any multicast streams received in excess of this limitation will be flooded to all ports in the associated domain.

Example

The following example maps a range of MVR group addresses to a profile:

```
Console(config)#mvr profile rd 228.1.23.1 228.1.23.10
Console(config)#
```

mvr proxy-query-interval This command configures the interval at which the receiver port sends out general queries. Use the **no** form to restore the default setting.

Syntax

mvr proxy-query-interval *interval*

no mvr proxy-query-interval

interval - The interval at which the receiver port sends out general queries.
(Range: 2-31744 seconds)

Default Setting

125 seconds

Command Mode

Global Configuration

Command Usage

This command sets the general query interval at which active receiver ports send out general queries. This interval is only effective when proxy switching is enabled with the `mvr proxy-switching` command.

Example

This example sets the proxy query interval for MVR proxy switching.

```
Console(config)#mvr proxy-query-interval 250
Console(config)#
```

mvr proxy-switching This command enables MVR proxy switching, where the source port acts as a host, and the receiver port acts as an MVR router with querier service enabled. Use the **no** form to disable this function.

Syntax

```
[no] mvr proxy-switching
```

Default Setting

Enabled

Command Mode

Global Configuration

Command Usage

- When MVR proxy-switching is enabled, an MVR source port serves as the upstream or host interface. The source port performs only the host portion of MVR by sending summarized membership reports, and automatically disables MVR router functions.
- Receiver ports are known as downstream or router interfaces. These interfaces perform the standard MVR router functions by maintaining a database of all MVR subscriptions on the downstream interface. Receiver ports must therefore be configured on all downstream interfaces which require MVR proxy service.
- When the source port receives report and leave messages, it only forwards them to other source ports.
- When receiver ports receive any query messages, they are dropped.
- When changes occurring in the downstream MVR groups are learned by the receiver ports through report and leave messages, an MVR state change report is created and sent to the upstream source port, which in turn forwards this information upstream.

- When MVR proxy switching is disabled:
 - Any membership reports received from receiver/source ports are forwarded to all source ports.
 - When a source port receives a query message, it will be forwarded to all downstream receiver ports.
 - When a receiver port receives a query message, it will be dropped.

Example

The following example enable MVR proxy switching.

```
Console(config)#mvr proxy-switching
Console(config)#
```

mvr robustness-value This command configures the expected packet loss, and thereby the number of times to generate report and group-specific queries. Use the **no** form to restore the default setting.

Syntax

mvr robustness-value *value*

no mvr robustness-value

value - The robustness used for all interfaces. (Range: 1-255)

Default Setting

2

Command Mode

Global Configuration

Command Usage

- This command is used to set the number of times report messages are sent upstream when changes are learned about downstream groups, and the number of times group-specific queries are sent to downstream receiver ports.
- This command only takes effect when MVR proxy switching is enabled.

Example

```
Console(config)#mvr robustness-value 5
Console(config)#
```

mvr source-port-mode dynamic This command configures the switch to only forward multicast streams which the source port has dynamically joined. Use the **no** form to restore the default setting.

Syntax

```
[no] mvr source-port-mode dynamic
```

Default Setting

Forwards all multicast streams which have been specified in a profile and bound to a domain.

Command Mode

Global Configuration

Command Usage

- By default, the switch forwards any multicast streams within the address range set by a profile, and bound to a domain. The multicast streams are sent to all source ports on the switch and to all receiver ports that have elected to receive data on that multicast address.
- When the **mvr source-port-mode dynamic** command is used, the switch only forwards multicast streams which the source port has dynamically joined. In other words, both the receiver port and source port must subscribe to a multicast group before a multicast stream is forwarded to any attached client. Note that the requested streams are still restricted to the address range which has been specified in a profile and bound to a domain.

Example

```
Console(config)#mvr source-port-mode dynamic  
Console(config)#
```

mvr upstream-source-ip This command configures the source IP address assigned to all MVR control packets sent upstream on all domains or on a specified domain. Use the **no** form to restore the default setting.

Syntax

```
mvr [domain domain-id] upstream-source-ip source-ip-address
```

```
no mvr [domain domain-id] upstream-source-ip
```

domain-id - An independent multicast domain. (Range: 1-5)

source-ip-address – The source IPv4 address assigned to all MVR control packets sent upstream.

Default Setting

All MVR reports sent upstream use a null source IP address

Command Mode

Global Configuration

Example

```
Console(config)#mvr domain 1 upstream-source-ip 192.168.0.3
Console(config)#
```

mvr vlan This command specifies the VLAN through which MVR multicast data is received. Use the **no** form of this command to restore the default MVR VLAN.

Syntax

mvr [**domain** *domain-id*] **vlan** *vlan-id*

no mvr [**domain** *domain-id*] **vlan**

domain-id - An independent multicast domain. (Range: 1-5)

vlan-id - Specifies the VLAN through which MVR multicast data is received. This is also the VLAN to which all source ports must be assigned. (Range: 1-4094)

Default Setting

VLAN 1

Command Mode

Global Configuration

Command Usage

- This command specifies the VLAN through which MVR multicast data is received. This is the VLAN to which all source ports must be assigned.
- The VLAN specified by this command must be an existing VLAN configured with the **vlan** command.
- MVR source ports can be configured as members of the MVR VLAN using the **switchport allowed vlan** command and **switchport native vlan** command, but MVR receiver ports should not be statically configured as members of this VLAN.

Example

The following example sets the MVR VLAN to VLAN 2:

```
Console(config)#mvr
Console(config)#mvr domain 1 vlan 2
Console(config)#
```

mvr immediate-leave This command causes the switch to immediately remove an interface from a multicast stream as soon as it receives a leave message for that group. Use the **no** form to restore the default settings.

Syntax

```
mvr [domain domain-id] immediate-leave [by-host-ip]
```

```
no mvr [domain domain-id] immediate-leave
```

domain-id - An independent multicast domain. (Range: 1-5)

by-host-ip - Specifies that the member port will be deleted only when there are no hosts joining this group.

Default Setting

Disabled

Command Mode

Interface Configuration (Ethernet, Port Channel)

Command Usage

- Immediate leave applies only to receiver ports. When enabled, the receiver port is immediately removed from the multicast group identified in the leave message. When immediate leave is disabled, the switch follows the standard rules by sending a group-specific query to the receiver port and waiting for a response to determine if there are any remaining subscribers for that multicast group before removing the port from the group list.
- If the “by-host-ip” option is used, the router/querier will not send out a group-specific query when an IGMPv2/v3 leave message is received (the same as it would without this option having been used). Instead of immediately deleting that group, it will look up the record, and only delete the group if there are no other subscribers for it on the member port. Only when all hosts on that port leave the group will the member port be deleted.
- Using immediate leave can speed up leave latency, but should only be enabled on a port attached to only one multicast subscriber to avoid disrupting services to other group members attached to the same interface.
- Immediate leave does not apply to multicast groups which have been statically assigned to a port with the **mvr vlan group** command.

Example

The following enables immediate leave on a receiver port.

```
Console(config)#interface ethernet 1/5
Console(config-if)#mvr domain 1 immediate-leave
Console(config-if)#
```


mvr type This command configures an interface as an MVR receiver or source port. Use the **no** form to restore the default settings.

Syntax

```
[no] mvr [domain domain-id] type {receiver | source}
```

domain-id - An independent multicast domain. (Range: 1-5)

receiver - Configures the interface as a subscriber port that can receive multicast data.

source - Configures the interface as an uplink port that can send and receive multicast data for the configured multicast groups.

Default Setting

The port type is not defined.

Command Mode

Interface Configuration (Ethernet, Port Channel)

Command Usage

- A port which is not configured as an MVR receiver or source port can use IGMP snooping to join or leave multicast groups using the standard rules for multicast filtering.
- Receiver ports can belong to different VLANs, but should not normally be configured as a member of the MVR VLAN. IGMP snooping can also be used to allow a receiver port to dynamically join or leave multicast groups not sourced through the MVR VLAN. Also, note that VLAN membership for MVR receiver ports cannot be set to access mode (see the [switchport mode](#) command).
- One or more interfaces may be configured as MVR source ports. A source port is able to both receive and send data for multicast groups which it has joined through the MVR protocol or which have been assigned through the [mvr vlan group](#) command.
- Only IGMP version 2 or 3 hosts can issue multicast join or leave messages. If MVR must be configured for an IGMP version 1 host, the multicast groups must be statically assigned using the [mvr vlan group](#) command.

Example

The following configures one source port and several receiver ports on the switch.

```
Console(config)#interface ethernet 1/5
Console(config-if)#mvr domain 1 type source
Console(config-if)#exit
Console(config)#interface ethernet 1/6
Console(config-if)#mvr domain 1 type receiver
Console(config-if)#exit
Console(config)#interface ethernet 1/7
```

```
Console(config-if)#mvr domain 1 type receiver  
Console(config-if)#
```

mvr vlan group This command statically binds a multicast group to a port which will receive long-term multicast streams associated with a stable set of hosts. Use the **no** form to restore the default settings.

Syntax

[no] mvr [domain domain-id] vlan vlan-id group ip-address

domain-id - An independent multicast domain. (Range: 1-5)

vlan-id - Receiver VLAN to which the specified multicast traffic is flooded. (Range: 1-4094)

group - Defines a multicast service sent to the selected port.

ip-address - Statically configures an interface to receive multicast traffic from the IPv4 address specified for an MVR multicast group. (Range: 224.0.1.0 - 239.255.255.255)

Default Setting

No receiver port is a member of any configured multicast group.

Command Mode

Interface Configuration (Ethernet, Port Channel)

Command Usage

- Multicast groups can be statically assigned to a receiver port using this command.
- The IP address range from 224.0.0.0 to 239.255.255.255 is used for multicast streams. MVR group addresses cannot fall within the reserved IP multicast address range of 224.0.0.x.
- Only IGMP version 2 or 3 hosts can issue multicast join or leave messages. If MVR must be configured for an IGMP version 1 host, the multicast groups must be statically assigned using the **mvr vlan group** command.
- The MVR VLAN cannot be specified as the receiver VLAN for static bindings.

Example

The following statically assigns a multicast group to a receiver port:

```
Console(config)#interface ethernet 1/7  
Console(config-if)#mvr domain 1 type receiver  
Console(config-if)#mvr domain 1 vlan 3 group 225.0.0.5  
Console(config-if)#
```

clear mrv groups dynamic This command clears multicast group information dynamically learned through MVR.

Syntax

```
clear mvr groups dynamic
```

Command Mode

Privileged Exec

Command Usage

This command only clears entries learned through MVR. Statically configured multicast address are not cleared.

Example

```
Console#clear mvr groups dynamic
Console#
```

clear mrv statistics This command clears MVR statistics.

Syntax

```
clear mvr statistics [interface interface]
                    interface
                    ethernet unit/port
                        unit - Unit identifier.
                        port - Port number.
                    port-channel channel-id
                    vlan vlan-id - VLAN identifier (Range: 1-4094)
```

Command Mode

Privileged Exec

Example

```
Console#clear mvr statistics
Console#
```

show mvr This command shows information about MVR domain settings, including MVR operational status, the multicast VLAN, the current number of group addresses, and the upstream source IP address.

Syntax

```
show mvr [domain domain-id]
```

domain-id - An independent multicast domain. (Range: 1-5)

Default Setting

Displays configuration settings for all MVR domains.

Command Mode

Privileged Exec

Example

The following shows the MVR settings:

```
Console#show mvr
MVR 802.1p Forwarding Priority : Disabled
MVR Proxy Switching           : Enabled
MVR Robustness Value          : 1
MVR Proxy Query Interval      : 125(sec.)
MVR Source Port Mode         : Always Forward

MVR Domain                    : 1
MVR Config Status             : Enabled
MVR Running Status            : Active
MVR Multicast VLAN            : 1
MVR Current Learned Groups    : 10
MVR Upstream Source IP       : 192.168.0.3
:
```

show mvr associated-profile This command shows the profiles bound the specified domain.

Syntax

```
show mvr [domain domain-id] associated-profile
```

domain-id - An independent multicast domain. (Range: 1-5)

Default Setting

Displays profiles bound to all MVR domains.

Command Mode

Privileged Exec

Example

The following displays the profiles bound to domain 1:

```

Console#show mvr domain 1 associated-profile
Domain ID : 1
MVR Profile Name      Start IP Addr.  End IP Addr.
-----
rd                    228.1.23.1     228.1.23.10
testing              228.2.23.1     228.2.23.10
Console#

```

show mvr interface This command shows MVR configuration settings for interfaces attached to the MVR VLAN.

Syntax

show mvr [domain *domain-id*] interface

domain-id - An independent multicast domain. (Range: 1-5)

Default Setting

Displays configuration settings for all attached interfaces.

Command Mode

Privileged Exec

Example

The following displays information about the interfaces attached to the MVR VLAN in domain 1:

```

Console#show mvr domain 1 interface
MVR Domain : 1
Flag: H - immediate leave by host ip
Port      Type      Status              Immediate  Static Group Address
-----
Eth 1/ 1 Source  Active/Forwarding
Eth 1/ 2 Receiver Inactive/Discarding Disabled   234.5.6.8 (VLAN2)
Eth 1/ 3 Source  Inactive/Discarding
Eth 1/ 1 Receiver Active/Forwarding   Disabled   225.0.0.1 (VLAN1)
                                                225.0.0.9 (VLAN3)
Eth 1/ 4 Receiver Active/Discarding   Disabled
Console#

```

show mvr members This command shows information about the current number of entries in the forwarding database, detailed information about a specific multicast address, the IP address of the hosts subscribing to all active multicast groups, or the multicast groups associated with each port.

Syntax

show mvr [domain *domain-id*] members [ip-address | host-ip-address [*interface*] | igmp | sort-by-port [*interface*] | unknown | user]]

domain-id - An independent multicast domain. (Range: 1-5)

ip-address - IPv4 address for an MVR multicast group.
(Range: 224.0.1.0 - 239.255.255.255)

members - The multicast groups assigned to the MVR VLAN.

host-ip-address - The subscriber IP addresses.

igmp - Entry created by IGMP protocol.

sort-by-port - The multicast groups associated with an interface.

interface

ethernet *unit/port*

unit - Unit identifier.

port - Port number.

port-channel *channel-id*

unknown - Entry created by receiving a multicast stream.

user - Snooping entry learned from user's configuration settings.

Default Setting

Displays configuration settings for all domains and all forwarding entries.

Command Mode

Privileged Exec

Example

The following shows information about the number of multicast forwarding entries currently active in domain 1:

```
Console#show mvr domain 1 members
MVR Domain : 1
MVR Forwarding Entry Count :1
Flag: S - Source port, R - Receiver port.
     H - Host counts (number of hosts joined to group on this port).
     P - Port counts (number of ports joined to group).
Up time: Group elapsed time (d:h:m:s).
Expire : Group remaining time (m:s).

Group Address   VLAN Port           Up time           Expire Count
-----
234.5.6.7       1
                1 Eth 1/ 1(S)
                2 Eth 1/ 2(R)

Console#
```

The following example shows detailed information about a specific multicast address:

```
Console#show mvr domain 1 members 234.5.6.7
MVR Domain : 1
```

```
MVR Forwarding Entry Count :1
Flag: S - Source port, R - Receiver port.
      H - Host counts (number of hosts joined to group on this port).
      P - Port counts (number of ports joined to group).
Up time: Group elapsed time (d:h:m:s).
Expire : Group remaining time (m:s).
```

Group Address	VLAN	Port	Up time	Expire	Count
234.5.6.7	1				2 (P)
		1 Eth 1/ 1(S)			
		2 Eth 1/ 2(R)			

Console#

show mvr profile This command shows all configured MVR profiles.

Command Mode

Privileged Exec

Example

The following shows all configured MVR profiles:

```
Console#show mvr profile
MVR Profile Name      Start IP Addr.  End IP Addr.
-----
rd                    228.1.23.1     228.1.23.10
testing              228.2.23.1     228.2.23.10
Console#
```

show mvr statistics This command shows MVR protocol-related statistics for the specified interface.

Syntax

```
show mvr [domain domain-id] statistics
{input [interface interface] | output [interface interface] |
query | summary interface [interface | mvr-vlan]}
```

domain-id - An independent multicast domain. (Range: 1-5)

interface

ethernet *unit/port*

unit - Unit identifier.

port - Port number.

port-channel *channel-id*

vlan *vlan-id* - VLAN ID (Range: 1-4094)

query - Displays MVR query-related statistics.

summary - Displays summary of MVR statistics.

mvr vlan - Displays summary statistics for the MVR VLAN.

Default Setting

Displays statistics for all domains.

Command Mode

Privileged Exec

Example

The following shows MVR protocol-related statistics received:

```
Console#show mvr domain 1 statistics input
MVR Domain : 1 , MVR VLAN: 2
Input Statistics:
Interface Report   Leave    G Query  G(-S)-S Query Drop   Join Succ Group
-----
Eth 1/ 1          23      11       4           10      5      20      9
Eth 1/ 2          12      15       8           3       5      19      4
DVLAN  1           2       0         0           2       2      20      9
MVLAN  1           2       0         0           2       2      20      9
Console#
```

The following shows MVR protocol-related statistics sent:

```
Console#show mvr domain 1 statistics output
MVR Domain : 1 , MVR VLAN: 2
Output Statistics:
Interface Report   Leave    G Query  G(-S)-S Query Drop   Group
-----
Eth 1/ 1           12       0         1           0       0      0
Eth 1/ 1           12       0         1           0       0      0
Eth 1/ 2           5        1         4           1       0      0
DVLAN  1           7        2         3           0       0      0
MVLAN  1           7        2         3           0       0      0
Console#
```


The following shows MVR query-related statistics:

```

Console#show mvr domain 1 statistics query
Domain 1:
  Other Querier           : None
  Other Querier Expire    : 0(m):0(s)
  Other Querier Uptime    : 0(h):0(m):0(s)
  Self Querier            : 192.168.2.4
  Self Querier Expire     : 0(m):30(s)
  Self Querier Uptime     : 0(h):9(m):55(s)
  General Query Received  : 0
  General Query Sent      : 8
  Specific Query Received : 0
  Specific Query Sent     : 3
  Warn Rate Limit         : 0 sec.
  V1 Warning Count        : 0
  V2 Warning Count        : 0
  V3 Warning Count        : 0
Console#

```

The following shows MVR summary statistics for an interface:

```

Console#show mvr domain 1 statistics summary interface ethernet 1/1
Domain 1:
Number of Groups: 0
Querier:
  Transmit
    General      : 0
    Group Specific : 0
  Received
    General      : 0
    Group Specific : 0
  V1 Warning Count: 0
  V2 Warning Count: 0
  V3 Warning Count: 0
Report & Leave:
  Transmit
    Report      : 7
    Leave      : 4
  Received
    Report      : 0
    Leave      : 0
  Join Success : 0
  Filter Drop  : 0
  Source Port Drop: 0
  Others Drop   : 0
Console#

```

MVR for IPv6

This section describes commands used to configure Multicast VLAN Registration for IPv6 (MVR6). A single network-wide VLAN can be used to transmit multicast traffic (such as television channels) across a service provider's network. Any multicast traffic entering an MVR6 VLAN is sent to all subscribers. This can significantly reduce to processing overhead required to dynamically monitor and establish the distribution tree for a normal multicast VLAN. Also note that MVR6 maintains the user isolation and data security provided by VLAN segregation by passing only multicast traffic into other VLANs to which the subscribers belong.

Table 110: Multicast VLAN Registration for IPv6 Commands

Command	Function	Mode
<code>mvr6 associated-profile</code>	Binds the MVR6 group addresses specified in a profile to an MVR6 domain	GC
<code>mvr6 domain</code>	Enables MVR6 for a specific domain	GC
<code>mvr6 priority</code>	Assigns a priority to all multicast traffic in the MVR6 VLAN	GC
<code>mvr6 profile</code>	Maps a range of MVR6 group addresses to a profile	GC
<code>mvr6 proxy-query-interval</code>	Configures the interval at which the receiver port sends out general queries.	GC
<code>mvr6 proxy-switching</code>	Enables MVR6 proxy switching, where the source port acts as a host, and the receiver port acts as an MVR6 router with querier service enabled	GC
<code>mvr6 robustness-value</code>	Configures the expected packet loss, and thereby the number of times to generate report and group-specific queries	GC
<code>mvr6 source-port-mode dynamic</code>	Configures the switch to only forward multicast streams which the source port has dynamically joined	GC
<code>mvr6 upstream-source-ip</code>	Configures the source IP address assigned to all control packets sent upstream	GC
<code>mvr6 vlan</code>	Specifies the VLAN through which MVR6 multicast data is received	GC
<code>mvr6 immediate-leave</code>	Enables immediate leave capability	IC
<code>mvr6 type</code>	Configures an interface as an MVR6 receiver or source port	IC
<code>mvr6 vlan group</code>	Statically binds a multicast group to a port	IC
<code>clear mvr6 groups dynamic</code>	Clears multicast group information dynamically learned through MVR6	PE
<code>clear mvr6 statistics</code>	Clears the MVR6 statistics globally or on a per-interface basis	PE
<code>show mvr6</code>	Shows information about MVR6 domain settings, including MVR6 operational status, the multicast VLAN, the current number of group addresses, and the upstream source IP address	PE
<code>show mvr6 associated-profile</code>	Shows the profiles bound the specified domain	PE
<code>show mvr6 interface</code>	Shows MVR6 settings for interfaces attached to the MVR6 VLAN	PE

Table 110: Multicast VLAN Registration for IPv6 Commands (Continued)

Command	Function	Mode
<code>show mvr6 members</code>	Shows information about the current number of entries in the forwarding database, or detailed information about a specific multicast address	PE
<code>show mvr6 profile</code>	Shows all configured MVR6 profiles	PE
<code>show mvr6 statistics</code>	Shows MVR6 protocol statistics for the specified interface	PE

mvr6 associated-profile This command binds the MVR6 group addresses specified in a profile to an MVR6 domain. Use the **no** form of this command to remove the binding.

Syntax

`[no] mvr6 domain domain-id associated-profile profile-name`

domain-id - An independent multicast domain. (Range: 1-5)

profile-name - The name of a profile containing one or more MVR6 group addresses. (Range: 1-21 characters)

Default Setting

Disabled

Command Mode

Global Configuration

Command Usage

MVR6 domains can be associated with more than one MVR6 profile. But since MVR6 domains cannot share the group range, an MVR6 profile can only be associated with one MVR6 domain.

Example

The following an MVR6 group address profile to domain 1:

```
Console(config)#mvr6 domain 1 associated-profile rd
Console(config)#
```

mvr6 domain This command enables Multicast VLAN Registration for IPv6 (MVR6) for a specific domain. Use the **no** form of this command to disable MVR6 for a domain.

Syntax

`[no] mvr6 domain domain-id`

domain-id - An independent multicast domain. (Range: 1-5)

Default Setting

Disabled

Command Mode

Global Configuration

Command Usage

When MVR6 is enabled on a domain, any multicast data associated with an MVR6 group is sent from all designated source ports, to all receiver ports that have registered to receive data from that multicast group.

Example

The following example enables MVR6 for domain 1:

```
Console(config)#mvr6 domain 1  
Console(config)#
```

mvr6 priority This command assigns a priority to all multicast traffic in the MVR6 VLAN. Use the **no** form of this command to restore the default setting.

Syntax

mvr6 priority *priority*

no mvr6 priority

priority - The CoS priority assigned to all multicast traffic forwarded into the MVR6 VLAN. (Range: 0-7, where 7 is the highest priority)

Default Setting

Disabled

Command Mode

Global Configuration

Command Usage

This command can be used to set a high priority for low-latency multicast traffic such as a video-conference, or to set a low priority for normal multicast traffic not sensitive to latency.

Example

```
Console(config)#mvr6 priority 6  
Console(config)#
```

mvr6 profile This command maps a range of MVR6 group addresses to a profile. Use the **no** form of this command to remove the profile.

Syntax

mvr6 profile *profile-name start-ip-address end-ip-address*

profile-name - The name of a profile containing one or more MVR6 group addresses. (Range: 1-21 characters)

start-ip-address - Starting IPv6 address for an MVR6 multicast group. This parameter must be a full IPv6 address including the network prefix and host address bits.

end-ip-address - Ending IPv6 address for an MVR6 multicast group. This parameter must be a full IPv6 address including the network prefix and host address bits.

Default Setting

No profiles are defined

Command Mode

Global Configuration

Command Usage

- Use this command to statically configure all multicast group addresses that will join the MVR6 VLAN. Any multicast data associated with an MVR6 group is sent from all source ports, and to all receiver ports that have registered to receive data from that multicast group.
- IGMP snooping and MVR6 share a maximum number of 4095 groups. Any multicast streams received in excess of this limitation will be flooded to all ports in the associated domain.
- All IPv6 addresses must be according to RFC 2373 "IPv6 Addressing Architecture," using 8 colon-separated 16-bit hexadecimal values. One double colon may be used in the address to indicate the appropriate number of zeros required to fill the undefined fields. (Note that the IP address ff02::X is reserved.)
- The MVR6 group address range assigned to a profile cannot overlap with the group address range of any other profile.

Example

The following example maps a range of MVR6 group addresses to a profile:

```
Console(config)#mvr6 profile rd ff01:0:0:0:0:0:fe ff01:0:0:0:0:0:ff
Console(config)#
```

mvr6 proxy-query-interval This command configures the interval at which the receiver port sends out general queries. Use the **no** form to restore the default setting.

Syntax

```
mvr6 proxy-query-interval interval
```

```
no mvr6 proxy-query-interval
```

interval - The interval at which the receiver port sends out general queries.
(Range: 2-31744 seconds)

Default Setting

125 seconds

Command Mode

Global Configuration

Command Usage

This command sets the general query interval at which active receiver ports send out general queries. This interval is only effective when proxy switching is enabled with the **mvr6 proxy-switching** command.

Example

This example sets the proxy query interval for MVR6.

```
Console(config)#mvr6 proxy-query-interval 228  
Console(config)#
```

mvr6 proxy-switching This command enables MVR6 proxy switching, where the source port acts as a host, and the receiver port acts as an MVR6 router with querier service enabled. Use the **no** form to disable this function.

Syntax

```
[no] mvr6 proxy-switching
```

Default Setting

Enabled

Command Mode

Global Configuration

Command Usage

- When MVR6 proxy-switching is enabled, an MVR6 source port serves as the upstream or host interface, and the MVR6 receiver port serves as the querier. The source port performs only the host portion of MVR6 by sending

summarized membership reports, and automatically disables MVR6 router functions.

- Receiver ports are known as downstream or router interfaces. These interfaces perform the standard MVR6 router functions by maintaining a database of all MVR6 subscriptions on the downstream interface. Receiver ports must therefore be configured on all downstream interfaces which require MVR6 proxy service.
- When the source port receives report and leave messages, it only forwards them to other source ports.
- When receiver ports receive any query messages, they are dropped.
- When changes occurring in the downstream MVR6 groups are learned by the receiver ports through report and leave messages, an MVR6 state change report is created and sent to the upstream source port, which in turn forwards this information upstream.
- When MVR6 proxy switching is disabled:
 - Any membership reports received from receiver/source ports are forwarded to all source ports.
 - When a source port receives a query message, it will be forwarded to all downstream receiver ports.
 - When a receiver port receives a query message, it will be dropped.

Example

The following example enable MVR6 proxy switching.

```
Console(config)#mvr6 proxy-switching
Console(config)#
```

mvr6 robustness-value

This command configures the expected packet loss, and thereby the number of times to generate report and group-specific queries. Use the **no** form to restore the default setting.

Syntax

mvr6 robustness-value *value*

no mvr6 robustness-value

value - The robustness used for all interfaces. (Range: 1-10)

Default Setting

2

Command Mode

Global Configuration

Command Usage

- This command sets the number of times report messages are sent upstream when changes are learned about downstream groups, and the number of times group-specific queries are sent to downstream receiver ports.
- This command only takes effect when MVR6 proxy switching is enabled.

Example

```
Console(config)#mvr6 robustness-value 5  
Console(config)#
```

mvr6 source-port-mode dynamic

This command configures the switch to only forward multicast streams which the source port has dynamically joined. Use the **no** form to restore the default setting.

Syntax

```
[no] mvr6 source-port-mode dynamic
```

Default Setting

Forwards all multicast streams which have been specified in a profile and bound to a domain.

Command Mode

Global Configuration

Command Usage

- By default, the switch forwards any multicast streams within the address range set by a profile, and bound to a domain. The multicast streams are sent to all source ports on the switch and to all receiver ports that have elected to receive data on that multicast address.
- When the **mvr6 source-port-mode dynamic** command is used, the switch only forwards multicast streams which the source port has dynamically joined. In other words, both the receiver port and source port must subscribe to a multicast group before a multicast stream is forwarded to any attached client. Note that the requested streams are still restricted to the address range which has been specified in a profile and bound to a domain.

Example

```
Console(config)#mvr6 source-port-mode dynamic  
Console(config)#
```


mvr6 upstream-source-ip This command configures the source IPv6 address assigned to all MVR6 control packets sent upstream on the specified domain. Use the **no** form to restore the default setting.

Syntax

mvr6 domain *domain-id* **upstream-source-ip** *source-ip-address*

no mvr6 domain *domain-id* **upstream-source-ip**

domain-id - An independent multicast domain. (Range: 1-5)

source-ip-address – The source IPv6 address assigned to all MVR6 control packets sent upstream. This parameter must be a full IPv6 address including the network prefix and host address bits.

Default Setting

All MVR6 reports sent upstream use a null source IP address

Command Mode

Global Configuration

Command Usage

All IPv6 addresses must be according to RFC 2373 “IPv6 Addressing Architecture,” using 8 colon-separated 16-bit hexadecimal values. One double colon may be used in the address to indicate the appropriate number of zeros required to fill the undefined fields. (Note that the IP address ff02::X is reserved.)

Example

```
Console(config)#mvr6 domain 1 upstream-source-ip 2001:DB8:2222:7223::72
Console(config)#
```

mvr6 vlan This command specifies the VLAN through which MVR6 multicast data is received. Use the **no** form of this command to restore the default MVR6 VLAN.

Syntax

mvr6 domain *domain-id* **vlan** *vlan-id*

no mvr6 domain *domain-id* **vlan**

domain-id - An independent multicast domain. (Range: 1-5)

vlan-id - Specifies the VLAN through which MVR6 multicast data is received. This is also the VLAN to which all source ports must be assigned. (Range: 1-4094)

Default Setting

VLAN 1

Command Mode

Global Configuration

Command Usage

MVR6 source ports can be configured as members of the MVR6 VLAN using the `switchport allowed vlan` command and `switchport native vlan` command, but MVR6 receiver ports should not be statically configured as members of this VLAN.

Example

The following example sets the MVR6 VLAN to VLAN 1:

```
Console(config)#mvr6 domain 1 vlan 1
Console(config)#
```

mvr6 immediate-leave

This command causes the switch to immediately remove an interface from a multicast stream as soon as it receives a leave message for that group. Use the `no` form to restore the default settings.

Syntax

[no] `mvr6 domain domain-id immediate-leave [by-host-ip]`

domain-id - An independent multicast domain. (Range: 1-5)

by-host-ip - Specifies that the member port will be deleted only when there are no hosts joining this group.

Default Setting

Disabled

Command Mode

Interface Configuration (Ethernet, Port Channel)

Command Usage

- Immediate leave applies only to receiver ports. When enabled, the receiver port is immediately removed from the multicast group identified in the leave message. When immediate leave is disabled, the switch follows the standard rules by sending a group-specific query to the receiver port and waiting for a response to determine if there are any remaining subscribers for that multicast group before removing the port from the group list.
- If the “by-host-ip” option is enabled, the switch will not send out a group-specific query to the receiver port. But it will check if there are other hosts joining the multicast group. Only when all hosts on that port leave the group will the member port be deleted.

- Using immediate leave can speed up leave latency, but should only be enabled on a port attached to only one multicast subscriber to avoid disrupting services to other group members attached to the same interface.
- Immediate leave does not apply to multicast groups which have been statically assigned to a port with the `mvr6 vlan group` command.

Example

The following enables immediate leave on a receiver port.

```
Console(config)#interface ethernet 1/5
Console(config-if)#mvr6 domain 1 immediate-leave
Console(config-if)#
```

mvr6 type This command configures an interface as an MVR6 receiver or source port. Use the **no** form to restore the default settings.

Syntax

[no] mvr6 domain *domain-id* **type** {**receiver** | **source**}

domain-id - An independent multicast domain. (Range: 1-5)

receiver - Configures the interface as a subscriber port that can receive multicast data.

source - Configures the interface as an uplink port that can send and receive multicast data for the configured multicast groups. Note that the source port must be manually configured as a member of the MVR6 VLAN using the `switchport allowed vlan` command.

Default Setting

The port type is not defined.

Command Mode

Interface Configuration (Ethernet, Port Channel)

Command Usage

- A port configured as an MVR6 receiver or source port can join or leave multicast groups configured under MVR6. A port which is not configured as an MVR6 receiver or source port can use MLD snooping to join or leave multicast groups using the standard rules for multicast filtering (see [“MLD Snooping” on page 648](#)).
- Receiver ports can belong to different VLANs, but should not be configured as a member of the MVR6 VLAN. MLD snooping can be used to allow a receiver port to dynamically join or leave multicast groups not sourced through the MVR6 VLAN. Also, note that VLAN membership for MVR6 receiver ports cannot be set to access mode (see the `switchport mode` command).

- One or more interfaces may be configured as MVR6 source ports. A source port is able to both receive and send data for multicast groups which it has joined through the MVR6 protocol or which have been assigned through the `mvr6 vlan group` command.

All source ports must belong to the MVR6 VLAN.

Subscribers should not be directly connected to source ports.

- The same port cannot be configured as a source port in one MVR6 domain and as a receiver port in another domain.

Example

The following configures one source port and several receiver ports on the switch.

```
Console(config)#interface ethernet 1/5
Console(config-if)#mvr6 domain 1 type source
Console(config-if)#exit
Console(config)#interface ethernet 1/6
Console(config-if)#mvr6 domain 1 type receiver
Console(config-if)#exit
Console(config)#interface ethernet 1/7
Console(config-if)#mvr6 domain 1 type receiver
Console(config-if)#
```

mvr6 vlan group This command statically binds a multicast group to a port which will receive long-term multicast streams associated with a stable set of hosts. Use the **no** form to restore the default settings.

Syntax

[no] mvr6 domain *domain-id* **vlan** *vlan-id* **group** *ip-address*

domain-id - An independent multicast domain. (Range: 1-5)

vlan-id - Receiver VLAN to which the specified multicast traffic is flooded. (Range: 1-4094)

group - Defines a multicast service sent to the selected port.

ip-address - Statically configures an interface to receive multicast traffic from the IPv6 address specified for an MVR6 multicast group. This parameter must be a full IPv6 address including the network prefix and host address bits.

Default Setting

No receiver port is a member of any configured multicast group.

Command Mode

Interface Configuration (Ethernet, Port Channel)

Command Usage

- Multicast groups can be statically assigned to a receiver port using this command. The assigned address must fall within the range set by the `mvr6 associated-profile` command.
- All IPv6 addresses must be according to RFC 2373 “IPv6 Addressing Architecture,” using 8 colon-separated 16-bit hexadecimal values. One double colon may be used in the address to indicate the appropriate number of zeros required to fill the undefined fields. (Note that the IP address `ff02::X` is reserved.)
- The MVR6 VLAN cannot be specified as the receiver VLAN for static bindings.

Example

The following statically assigns a multicast group to a receiver port:

```
Console(config)#interface ethernet 1/2
Console(config-if)#mvr6 domain 1 type receiver
Console(config-if)#mvr6 domain 1 vlan 2 group ff00::1
Console(config-if)#
```

clear mvr6 groups dynamic This command clears multicast group information dynamically learned through MVR6.

Syntax

clear mvr6 groups dynamic [~~domain~~ *domain-id*]

domain-id - An independent multicast domain. (Range: 1-5)

Command Mode

Privileged Exec

Command Usage

This command only clears entries learned through MVR6. Statically configured multicast addresses are not cleared.

Example

```
Console#clear mvr6 groups dynamic
Console#
```

clear mvr6 statistics Use this command to clear MVR6 statistics.

Syntax

clear mvr6 statistics [*interface interface*]

ethernet *unit/port*
unit - Unit identifier.
port - Port number.
port-channel *channel-id*
vlan *vlan-id* (Range: 1-4094)

Command Mode

Privileged Exec

Command Usage

If the interface option is not used then all MVR6 statistics are cleared. Otherwise using the interface option will only clear MVR6 statistics for the specified interface.

Example

The following shows how to clear all the MVR6 statistics:

```
Console#clear mvr6 statistics
Console#
```

show mvr6 This command shows information about MVR6 domain settings, including MVR6 operational status, the multicast VLAN, the current number of group addresses, and the upstream source IP address.

Syntax

show mvr6 [*domain domain-id*]
domain-id - An independent multicast domain. (Range: 1-5)

Default Setting

Displays configuration settings for all MVR6 domains.

Command Mode

Privileged Exec

Example

The following shows the MVR6 settings:

```
Console#show mvr6
MVR6 802.1p Forwarding Priority: Disabled
MVR6 Proxy Switching           : Enabled
MVR6 Robustness Value          : 1
MVR6 Proxy Query Interval      : 125(sec.)
MVR6 Source Port Mode          : Always Forward

Domain                          : 1
MVR6 Config Status              : Enabled
```

```
MVR6 Running Status      : Active
MVR6 Multicast VLAN      : 1
MVR6 Current Learned Groups : 0
MVR6 Upstream Source IP  : FF05::25
:
```

show mvr6 associated-profile This command shows the profiles bound the specified domain.

Syntax

```
show mvr6 [domain domain-id] associated-profile
domain-id - An independent multicast domain. (Range: 1-5)
```

Default Setting

Displays profiles bound to all MVR6 domains.

Command Mode

Privileged Exec

Example

The following displays the profiles bound to domain 1:

```
Console#show mvr6 domain 1 associated-profile
Domain ID : 1
MVR6 Profile Name      Start IPv6 Addr.      End IPv6 Addr.
-----
rd                      ff01::fe                ff01::ff
Console#
```

show mvr6 interface This command shows MVR6 configuration settings for interfaces attached to the MVR6 VLAN.

Syntax

```
show mvr6 [domain domain-id] interface
domain-id - An independent multicast domain. (Range: 1-5)
```

Default Setting

Displays configuration settings for all attached interfaces.

Command Mode

Privileged Exec

Example

The following displays information about the interfaces attached to the MVR6 VLAN in domain 1:

```
Console#show mvr6 domain 1 interface
MVR6 Domain : 1
Port      Type      Status              Immediate Leave  Static Group Address
-----
Eth1/ 1   Source   Active/Forwarding
Eth1/ 2   Receiver Active/Forwarding  Disabled         ff00::1 (VLAN2)
Console#
```

show mvr6 members This command shows information about the current number of entries in the forwarding database, or detailed information about a specific multicast address.

Syntax

```
show mvr6 [domain domain-id] members [ip-address]
```

domain-id - An independent multicast domain. (Range: 1-5)

ip-address - IPv6 address for an MVR6 multicast group.

Default Setting

Displays configuration settings for all domains and all forwarding entries.

Command Mode

Privileged Exec

Example

The following shows information about the number of multicast forwarding entries currently active in domain 1:

```
Console#show mvr6 domain 1 members
MVR6 Domain : 1
MVR6 Forwarding Entry Count :1
Flag: S - Source port, R - Receiver port.
      H - Host counts (number of hosts join the group on this port).
      P - Port counts (number of forwarding ports).
Up time: Group elapsed time (d:h:m:s).
Expire : Group remaining time (m:s).

Group Address          VLAN Port          Up time          Expire Count
-----
ff05::101              2                  00:00:00:19      2 (P)
                       2 Eth1/ 2 (S)
                       1 Eth1/ 4 (R)
Console#
```


The following example shows detailed information about a specific multicast address:

```

Console#show mvr6 domain 1 members ff00::1
MVR6 Domain : 1
MVR6 Forwarding Entry Count :1
Flag: S - Source port, R - Receiver port.
      H - Host counts (number of hosts join the group on this port).
      P - Port counts (number of forwarding ports).
Up time: Group elapsed time (d:h:m:s).
Expire : Group remaining time (m:s).

Group Address                VLAN Port                Up time                Expire Count
-----
ff05::101                    2                        00:00:03:18           2 (P)
                             2 Eth1/ 2(S)
                             1 Eth1/ 4(R)
                             0 (H)

Console#

```

show mvr6 profile This command shows all configured MVR6 profiles.

Command Mode

Privileged Exec

Example

The following shows all configured MVR6 profiles:

```

Console#show mvr6 profile
MVR6 Profile Name    Start IPv6 Addr.        End IPv6 Addr.
-----
rd                   ff01::fe                ff01::ff
Console#

```

show mvr6 statistics This command shows MVR protocol-related statistics for the specified interface.

Syntax

show mvr6 statistics {input | output} [interface *interface*]

show mvr6 domain *domain-id* **statistics**

{input [interface *interface*] | output [interface *interface*] | query}

domain-id - An independent multicast domain. (Range: 1-5)

interface

ethernet *unit/port*

unit - Unit identifier.

port - Port number.

port-channel *channel-id*

vlan *vlan-id* - VLAN ID

query - Displays MVR query-related statistics.

Default Setting

Displays statistics for all domains.

Command Mode

Privileged Exec

Example

The following shows MVR6 protocol-related statistics received:

```
Console#show mvr6 domain 1 statistics input
MVR6 Domain 1, MVR6 VLAN 2:
Input Statistics:
Interface Report   Leave    G Query  G(-S)-S Query Drop      Join Succ Group
-----
Eth 1/ 1          23       11       4         10       5        20       9
Eth 1/ 2          12       15       8         3         5        19       4
DVLAN 1           2         0         0         2         2        20       9
MVLAN 2           2         0         0         2         2        20       9
Console#
```

The following shows MVR6 protocol-related statistics sent:

```
Console#show mvr6 domain 1 statistics output
MVR6 Domain 1, MVR6 VLAN 2:
Output Statistics:
Interface Report   Done     G Query  G(-S)-S Query Drop      Group
-----
Eth 1/ 1           12       0         1         0         0        0
Eth 1/ 3           5         1         4         1         0        0
DVLAN 1            7         2         3         0         0        0
MVLAN 2            7         2         3         0         0        0
Console#
```

The following shows MVR6 query-related statistics:

```
Console#show mvr6 domain 1 statistics query
Other Querier Address   : fe80::2e0:cff:fe00:fb/64
Other Querier Uptime    : 0 (h) :0 (m) :0 (s)
Other Querier Expire Time : 0 (m) :0 (s)
Self Querier Address    : None
Self Querier Uptime     : 0 (h) :13 (m) :16 (s)
Self Querier Expire Time : 3 (m) :23 (s)
General Query Received   : 0
General Query Sent       : 0
Specific Query Received  : 0
```

```
Specific Query Sent      : 0  
Console#
```

LLDP Commands

Link Layer Discovery Protocol (LLDP) is used to discover basic information about neighboring devices on the local broadcast domain. LLDP is a Layer 2 protocol that uses periodic broadcasts to advertise information about the sending device. Advertised information is represented in Type Length Value (TLV) format according to the IEEE 802.1AB standard, and can include details such as device identification, capabilities and configuration settings. LLDP also defines how to store and maintain information gathered about the neighboring network nodes it discovers.

Link Layer Discovery Protocol - Media Endpoint Discovery (LLDP-MED) is an extension of LLDP intended for managing endpoint devices such as Voice over IP phones and network switches. The LLDP-MED TLVs advertise information such as network policy, power, inventory, and device location details. LLDP and LLDP-MED information can be used by SNMP applications to simplify troubleshooting, enhance network management, and maintain an accurate network topology.

Table 111: LLDP Commands

Command	Function	Mode
<code>lldp</code>	Enables LLDP globally on the switch	GC
<code>lldp holdtime-multiplier</code>	Configures the time-to-live (TTL) value sent in LLDP advertisements	GC
<code>lldp med-fast-start-count</code>	Configures how many medFastStart packets are transmitted	GC
<code>lldp notification-interval</code>	Configures the allowed interval for sending SNMP notifications about LLDP changes	GC
<code>lldp refresh-interval</code>	Configures the periodic transmit interval for LLDP advertisements	GC
<code>lldp reinit-delay</code>	Configures the delay before attempting to re-initialize after LLDP ports are disabled or the link goes down	GC
<code>lldp tx-delay</code>	Configures a delay between the successive transmission of advertisements initiated by a change in local LLDP MIB variables	GC
<code>lldp portid-subtype</code>	Configures the LLDP port ID subtype to either the MAC address or interface name	GC
<code>lldp admin-status</code>	Enables LLDP transmit, receive, or transmit and receive mode on the specified port	IC
<code>lldp basic-tlv management-ip-address</code>	Configures an LLDP-enabled port to advertise the management address for this device	IC

Table 111: LLDP Commands (Continued)

Command	Function	Mode
<code>lldp basic-tlv management-ipv6-address</code>	Configures an LLDP-enabled port to advertise the management address for this device	IC
<code>lldp basic-tlv port-description</code>	Configures an LLDP-enabled port to advertise its port description	IC
<code>lldp basic-tlv system-capabilities</code>	Configures an LLDP-enabled port to advertise its system capabilities	IC
<code>lldp basic-tlv system-description</code>	Configures an LLDP-enabled port to advertise the system description	IC
<code>lldp basic-tlv system-name</code>	Configures an LLDP-enabled port to advertise its system name	IC
<code>lldp dot1-tlv proto-ident*</code>	Configures an LLDP-enabled port to advertise the supported protocols	IC
<code>lldp dot1-tlv proto-vid*</code>	Configures an LLDP-enabled port to advertise port-based protocol related VLAN information	IC
<code>lldp dot1-tlv pvid*</code>	Configures an LLDP-enabled port to advertise its default VLAN ID	IC
<code>lldp dot1-tlv vlan-name*</code>	Configures an LLDP-enabled port to advertise its VLAN name	IC
<code>lldp dot3-tlv link-agg</code>	Configures an LLDP-enabled port to advertise its link aggregation capabilities	IC
<code>lldp dot3-tlv mac-phy</code>	Configures an LLDP-enabled port to advertise its MAC and physical layer specifications	IC
<code>lldp dot3-tlv max-frame</code>	Configures an LLDP-enabled port to advertise its maximum frame size	IC
<code>lldp med-location civic-addr</code>	Configures an LLDP-MED-enabled port to advertise its location identification details	IC
<code>lldp med-notification</code>	Enables the transmission of SNMP trap notifications about LLDP-MED changes	IC
<code>lldp med-tlv inventory</code>	Configures an LLDP-MED-enabled port to advertise its inventory identification details	IC
<code>lldp med-tlv location</code>	Configures an LLDP-MED-enabled port to advertise its location identification details	IC
<code>lldp med-tlv med-cap</code>	Configures an LLDP-MED-enabled port to advertise its Media Endpoint Device capabilities	IC
<code>lldp med-tlv network-policy</code>	Configures an LLDP-MED-enabled port to advertise its network policy configuration	IC
<code>lldp notification</code>	Enables the transmission of SNMP trap notifications about LLDP changes	IC
<code>show lldp config</code>	Shows LLDP configuration settings for all ports	PE
<code>show lldp info local-device</code>	Shows LLDP global and interface-specific configuration settings for this device	PE
<code>show lldp info remote-device</code>	Shows LLDP global and interface-specific configuration settings for remote devices	PE
<code>show lldp info statistics</code>	Shows statistical counters for all LLDP-enabled interfaces	PE

* Vendor-specific options may or may not be advertised by neighboring devices.

lldp This command enables LLDP globally on the switch. Use the **no** form to disable LLDP.

Syntax

[no] lldp

Default Setting

Enabled

Command Mode

Global Configuration

Example

```
Console(config)#lldp
Console(config)#
```

lldp holdtime-multiplier This command configures the time-to-live (TTL) value sent in LLDP advertisements. Use the **no** form to restore the default setting.

Syntax

lldp holdtime-multiplier *value*

no lldp holdtime-multiplier

value - Calculates the TTL in seconds based on the following rule:
minimum of ((Transmission Interval * Holdtime Multiplier), or 65536)

(Range: 2 - 10)

Default Setting

Holdtime multiplier: 4

TTL: 4*30 = 120 seconds

Command Mode

Global Configuration

Command Usage

- The time-to-live tells the receiving LLDP agent how long to retain all information pertaining to the sending LLDP agent if it does not transmit updates in a timely manner.

Example

```
Console(config)#lldp holdtime-multiplier 10
Console(config)#
```

lldp med-fast-start-count This command specifies the amount of MED Fast Start LLDPDU s to transmit during the activation process of the LLDP-MED Fast Start mechanism. Use the **no** form to restore the default setting.

Syntax

lldp med-fast-start-count *packet-number*

no lldp med-fast-start-count

packet-number - Amount of packets. (Range: 1-10 packets;
Default: 4 packets)

Default Setting

4 packets

Command Mode

Global Configuration

Command Usage

This parameter is part of the timer which ensures that the LLDP-MED Fast Start mechanism is active for the port. LLDP-MED Fast Start is critical to the timely startup of LLDP, and therefore integral to the rapid availability of Emergency Call Service.

Example

```
Console(config)#lldp med-fast-start-count 6
Console(config)#
```

lldp notification-interval This command configures the allowed interval for sending SNMP notifications about LLDP MIB changes. Use the **no** form to restore the default setting.

Syntax

lldp notification-interval *seconds*

no lldp notification-interval

seconds - Specifies the periodic interval at which SNMP notifications are sent. (Range: 5 - 3600 seconds)

Default Setting

5 seconds

Command Mode

Global Configuration

Command Usage

- This parameter only applies to SNMP applications which use data stored in the LLDP MIB for network monitoring or management.
- Information about changes in LLDP neighbors that occur between SNMP notifications is not transmitted. Only state changes that exist at the time of a notification are included in the transmission. An SNMP agent should therefore periodically check the value of `IldpStatsRemTableLastChangeTime` to detect any `IldpRemTablesChange` notification-events missed due to throttling or transmission loss.

Example

```
Console(config)#lldp notification-interval 30
Console(config)#
```

lldp refresh-interval This command configures the periodic transmit interval for LLDP advertisements. Use the **no** form to restore the default setting.

Syntax

lldp refresh-interval *seconds*

no lldp refresh-delay

seconds - Specifies the periodic interval at which LLDP advertisements are sent. (Range: 5 - 32768 seconds)

Default Setting

30 seconds

Command Mode

Global Configuration

Example

```
Console(config)#lldp refresh-interval 60
Console(config)#
```

lldp reinit-delay This command configures the delay before attempting to re-initialize after LLDP ports are disabled or the link goes down. Use the **no** form to restore the default setting.

Syntax

lldp reinit-delay *seconds*

no lldp reinit-delay

seconds - Specifies the delay before attempting to re-initialize LLDP.
(Range: 1 - 10 seconds)

Default Setting

2 seconds

Command Mode

Global Configuration

Command Usage

When LLDP is re-initialized on a port, all information in the remote systems LLDP MIB associated with this port is deleted.

Example

```
Console(config)#lldp reinit-delay 10
Console(config)#
```

lldp tx-delay This command configures a delay between the successive transmission of advertisements initiated by a change in local LLDP MIB variables. Use the **no** form to restore the default setting.

Syntax

lldp tx-delay *seconds*

no lldp tx-delay

seconds - Specifies the transmit delay. (Range: 1 - 8192 seconds)

Default Setting

2 seconds

Command Mode

Global Configuration

Command Usage

- The transmit delay is used to prevent a series of successive LLDP transmissions during a short period of rapid changes in local LLDP MIB objects, and to increase the probability that multiple, rather than single changes, are reported in each transmission.
- This attribute must comply with the following rule:
 $(4 * \text{tx-delay}) \leq \text{refresh-interval}$

Example

```
Console(config)#lldp tx-delay 10
Console(config)#
```

lldp portid-subtype This command configures the LLDP port ID subtype to either the MAC address or the interface name.

Syntax

```
lldp portid-subtype {interface-name | mac-address}
```

interface-name - Specifies LLDP interface name subtype.

mac-address - Specifies LLDP MAC address subtype.

Default Setting

MAC address

Command Mode

Global Configuration

Command Usage

When the port ID subtype is set to **interface-name**, the port ID is displayed in the format "Ethernet 1/1."

Example

```
Console(config)#lldp portid-subtype interface-name
Console(config)#
```

lldp admin-status This command enables LLDP transmit, receive, or transmit and receive mode on the specified port. Use the **no** form to disable this feature.

Syntax

```
lldp admin-status {rx-only | tx-only | tx-rx}
```

```
no lldp admin-status
```

rx-only - Only receive LLDP PDUs.

tx-only - Only transmit LLDP PDUs.

tx-rx - Both transmit and receive LLDP Protocol Data Units (PDUs).

Default Setting

tx-rx

Command Mode

Interface Configuration (Ethernet, Port Channel)

Example

```

Console(config)#interface ethernet 1/1
Console(config-if)#lldp admin-status rx-only
Console(config-if)#

```

lldp basic-tlv management-ip-address

This command configures an LLDP-enabled port to advertise the management address for this device. Use the **no** form to disable this feature.

Syntax

[no] lldp basic-tlv management-ip-address

Default Setting

Enabled

Command Mode

Interface Configuration (Ethernet, Port Channel)

Command Usage

- The management address protocol packet includes the IPv4 address of the switch. If no management address is available, the address should be the MAC address for the CPU or for the port sending this advertisement.
- The management address TLV may also include information about the specific interface associated with this address, and an object identifier indicating the type of hardware component or protocol entity associated with this address. The interface number and OID are included to assist SNMP applications to perform network discovery by indicating enterprise specific or other starting points for the search, such as the Interface or Entity MIB.
- Since there are typically a number of different addresses associated with a Layer 3 device, an individual LLDP PDU may contain more than one management address TLV.
- Every management address TLV that reports an address that is accessible on a port and protocol VLAN through the particular port should be accompanied by a port and protocol VLAN TLV that indicates the VLAN identifier (VID) associated with the management address reported by this TLV.

Example

```

Console(config)#interface ethernet 1/1
Console(config-if)#lldp basic-tlv management-ip-address
Console(config-if)#

```

lldp basic-tlv management-ipv6-address

This command configures an LLDP-enabled port to advertise the management IPv6 address for this device. Use the **no** form to disable this feature.

Syntax

```
[no] lldp basic-tlv management-ipv6-address
```

Default Setting

Enabled

Command Mode

Interface Configuration (Ethernet, Port Channel)

Command Usage

- If both the management-ip-address and the IPv4 address of a VLAN interface is configured, the primary IPv4 address of the VLAN ID will be sent in the Management Address TLV of the LLDP PDU transmitted.
- If both the management-ipv6-address and the IPv6 address of a VLAN interface is configured, the IPv6 address of the VLAN ID will be sent in the Management Address TLV of the LLDP PDU transmitted.
- Two Management Address TLVs in the LLDP PDU will be sent if both of the two conditions below are true:
 - The interface has both commands configured i.e. management-ip-address and management-ipv6-address.
 - The VLAN interface has both IPv4 and IPv6 addresses set.

One address will be the IPv4 address and the other will be the IPv6 address.

- If either or both the management-ip-address or management-ipv6-address are configured

- and -

Neither the IPv4 address nor the IPv6 address of a VLAN interface is configured.

The CPU MAC address (or device MAC address) will be sent in the Management Address TLV of the LLDP PDU transmitted.

Example

```
Console(config)#interface ethernet 1/1
Console(config-if)#lldp basic-tlv management-ipv6-address
Console(config-if)#
```

lldp basic-tlv port-description This command configures an LLDP-enabled port to advertise its port description. Use the **no** form to disable this feature.

Syntax

```
[no] lldp basic-tlv port-description
```

Default Setting

Enabled

Command Mode

Interface Configuration (Ethernet, Port Channel)

Command Usage

The port description is taken from the ifDescr object in RFC 2863, which includes information about the manufacturer, the product name, and the version of the interface hardware/software.

Example

```
Console(config)#interface ethernet 1/1
Console(config-if)#lldp basic-tlv port-description
Console(config-if)#
```

lldp basic-tlv system-capabilities This command configures an LLDP-enabled port to advertise its system capabilities. Use the **no** form to disable this feature.

Syntax

```
[no] lldp basic-tlv system-capabilities
```

Default Setting

Enabled

Command Mode

Interface Configuration (Ethernet, Port Channel)

Command Usage

The system capabilities identifies the primary function(s) of the system and whether or not these primary functions are enabled. The information advertised by this TLV is described in IEEE 802.1AB.

Example

```
Console(config)#interface ethernet 1/1
Console(config-if)#lldp basic-tlv system-capabilities
Console(config-if)#
```

lldp basic-tlv system-description This command configures an LLDP-enabled port to advertise the system description. Use the **no** form to disable this feature.

Syntax

[no] lldp basic-tlv system-description

Default Setting

Enabled

Command Mode

Interface Configuration (Ethernet, Port Channel)

Command Usage

The system description is taken from the sysDescr object in RFC 3418, which includes the full name and version identification of the system's hardware type, software operating system, and networking software.

Example

```
Console(config)#interface ethernet 1/1
Console(config-if)#lldp basic-tlv system-description
Console(config-if)#
```

lldp basic-tlv system-name This command configures an LLDP-enabled port to advertise the system name. Use the **no** form to disable this feature.

Syntax

[no] lldp basic-tlv system-name

Default Setting

Enabled

Command Mode

Interface Configuration (Ethernet, Port Channel)

Command Usage

The system name is taken from the sysName object in RFC 3418, which contains the system's administratively assigned name, and is in turn based on the [hostname](#) command.

Example

```
Console(config)#interface ethernet 1/1
Console(config-if)#lldp basic-tlv system-name
Console(config-if)#
```

lldp dot1-tlv proto-ident This command configures an LLDP-enabled port to advertise the supported protocols. Use the **no** form to disable this feature.

Syntax

```
[no] lldp dot1-tlv proto-ident
```

Default Setting

Enabled

Command Mode

Interface Configuration (Ethernet, Port Channel)

Command Usage

This option advertises the protocols that are accessible through this interface.

Example

```
Console(config)#interface ethernet 1/1
Console(config-if)#lldp dot1-tlv proto-ident
Console(config-if)#
```

lldp dot1-tlv proto-vid This command configures an LLDP-enabled port to advertise port-based protocol VLAN information. Use the **no** form to disable this feature.

Syntax

```
[no] lldp dot1-tlv proto-vid
```

Default Setting

Enabled

Command Mode

Interface Configuration (Ethernet, Port Channel)

Command Usage

This option advertises the port-based protocol VLANs configured on this interface (see [“Configuring Protocol-Based VLANs” on page 527](#)).

Example

```
Console(config)#interface ethernet 1/1
Console(config-if)#lldp dot1-tlv proto-vid
Console(config-if)#
```

lldp dot1-tlv pvid This command configures an LLDP-enabled port to advertise its default VLAN ID. Use the **no** form to disable this feature.

Syntax

```
[no] lldp dot1-tlv pvid
```

Default Setting

Enabled

Command Mode

Interface Configuration (Ethernet, Port Channel)

Command Usage

The port's default VLAN identifier (PVID) indicates the VLAN with which untagged or priority-tagged frames are associated (see the [switchport native vlan](#) command).

Example

```
Console(config)#interface ethernet 1/1
Console(config-if)#lldp dot1-tlv pvid
Console(config-if)#
```

lldp dot1-tlv vlan-name This command configures an LLDP-enabled port to advertise its VLAN name. Use the **no** form to disable this feature.

Syntax

```
[no] lldp dot1-tlv vlan-name
```

Default Setting

Enabled

Command Mode

Interface Configuration (Ethernet, Port Channel)

Command Usage

This option advertises the name of all VLANs to which this interface has been assigned. See [“switchport allowed vlan” on page 504](#) and [“protocol-vlan protocol-group \(Configuring Interfaces\)” on page 529](#).

Example

```
Console(config)#interface ethernet 1/1
Console(config-if)#lldp dot1-tlv vlan-name
Console(config-if)#
```


lldp dot3-tlv link-agg This command configures an LLDP-enabled port to advertise link aggregation capabilities. Use the **no** form to disable this feature.

Syntax

```
[no] lldp dot3-tlv link-agg
```

Default Setting

Enabled

Command Mode

Interface Configuration (Ethernet, Port Channel)

Command Usage

This option advertises link aggregation capabilities, aggregation status of the link, and the 802.3 aggregated port identifier if this interface is currently a link aggregation member.

Example

```
Console(config)#interface ethernet 1/1
Console(config-if)#lldp dot3-tlv link-agg
Console(config-if)#
```

lldp dot3-tlv mac-phy This command configures an LLDP-enabled port to advertise its MAC and physical layer capabilities. Use the **no** form to disable this feature.

Syntax

```
[no] lldp dot3-tlv mac-phy
```

Default Setting

Enabled

Command Mode

Interface Configuration (Ethernet, Port Channel)

Command Usage

This option advertises MAC/PHY configuration/status which includes information about auto-negotiation support/capabilities, and operational Multistation Access Unit (MAU) type.

Example

```
Console(config)#interface ethernet 1/1
Console(config-if)#no lldp dot3-tlv mac-phy
Console(config-if)#
```

lldp dot3-tlv max-frame This command configures an LLDP-enabled port to advertise its maximum frame size. Use the **no** form to disable this feature.

Syntax

```
[no] lldp dot3-tlv max-frame
```

Default Setting

Enabled

Command Mode

Interface Configuration (Ethernet, Port Channel)

Command Usage

Refer to “[Frame Size](#)” on page 79 for information on configuring the maximum frame size for this switch.

Example

```
Console(config)#interface ethernet 1/1
Console(config-if)#lldp dot3-tlv max-frame
Console(config-if)#
```

lldp med-location civic-addr This command configures an LLDP-MED-enabled port to advertise its location identification details. Use the **no** form to restore the default settings.

Syntax

```
lldp med-location civic-addr [[country country-code] | [what device-type] | [ca-type ca-value]]
```

```
no lldp med-location civic-addr [[country] | [what] | [ca-type]]
```

country-code – The two-letter ISO 3166 country code in capital ASCII letters. (Example: DK, DE or US)

device-type – The type of device to which the location applies.

0 – Location of DHCP server.

1 – Location of network element closest to client.

2 – Location of client.

ca-type – A one-octet descriptor of the data civic address value. (Range: 0-255)

ca-value – Description of a location. (Range: 1-32 characters)

Default Setting

Not advertised
No description

Command Mode

Interface Configuration (Ethernet, Port Channel)

Command Usage

- Use this command without any keywords to advertise location identification details.
- Use the *ca-type* to advertise the physical location of the device, that is the city, street number, building and room information. The address location is specified as a type and value pair, with the civic address (CA) type being defined in RFC 4776. The following table describes some of the CA type numbers and provides examples.

Table 112: LLDP MED Location CA Types

CA Type	Description	CA Value Example
0	The ISO 639 language code used for presenting the address information.	en
1	National subdivisions (state, canton, province)	California
2	County, parish	Orange
3	City, township	Irvine
4	City division, borough, city district	West Irvine
5	Neighborhood, block	Riverside
6	Group of streets below the neighborhood level	Exchange
18	Street suffix or type	Avenue
19	House number	320
20	House number suffix	A
21	Landmark or vanity address	Tech Center
26	Unit (apartment, suite)	Apt 519
27	Floor	5
28	Room	509B

Any number of CA type and value pairs can be specified for the civic address location, as long as the total does not exceed 250 characters.

- For the location options defined for *device-type*, normally option **2** is used to specify the location of the client device. In situations where the client device location is not known, **0** and **1** can be used, providing the client device is physically close to the DHCP server or network element.

Example

The following example enables advertising location identification details.

```

Console(config)#interface ethernet 1/1
Console(config-if)#lldp med-location civic-addr
Console(config-if)#lldp med-location civic-addr 1 California
Console(config-if)#lldp med-location civic-addr 2 Orange
Console(config-if)#lldp med-location civic-addr 3 Irvine
Console(config-if)#lldp med-location civic-addr 4 West Irvine
Console(config-if)#lldp med-location civic-addr 6 Exchange
Console(config-if)#lldp med-location civic-addr 18 Avenue
Console(config-if)#lldp med-location civic-addr 19 320
Console(config-if)#lldp med-location civic-addr 27 5
Console(config-if)#lldp med-location civic-addr 28 509B
Console(config-if)#lldp med-location civic-addr country US
Console(config-if)#lldp med-location civic-addr what 2
Console(config-if)#

```

lldp med-notification This command enables the transmission of SNMP trap notifications about LLDP-MED changes. Use the **no** form to disable LLDP-MED notifications.

Syntax

[no] lldp med-notification

Default Setting

Disabled

Command Mode

Interface Configuration (Ethernet, Port Channel)

Command Usage

- This option sends out SNMP trap notifications to designated target stations at the interval specified by the [lldp notification-interval](#) command. Trap notifications include information about state changes in the LLDP MIB (IEEE 802.1AB), the LLDP-MED MIB (ANSI/TIA 1057), or organization-specific LLDP-EXT-DOT1 and LLDP-EXT-DOT3 MIBs.
- SNMP trap destinations are defined using the [snmp-server host](#) command.
- Information about additional changes in LLDP neighbors that occur between SNMP notifications is not transmitted. Only state changes that exist at the time of a trap notification are included in the transmission. An SNMP agent should therefore periodically check the value of `lldpStatsRemTableLastChangeTime` to detect any `lldpRemTablesChange` notification-events missed due to throttling or transmission loss.

Example

```
Console(config)#interface ethernet 1/1
Console(config-if)#lldp med-notification
Console(config-if)#
```

lldp med-tlv inventory This command configures an LLDP-MED-enabled port to advertise its inventory identification details. Use the **no** form to disable this feature.

Syntax

[no] lldp med-tlv inventory

Default Setting

Enabled

Command Mode

Interface Configuration (Ethernet, Port Channel)

Command Usage

This option advertises device details useful for inventory management, such as manufacturer, model, software version and other pertinent information.

Example

```
Console(config)#interface ethernet 1/1
Console(config-if)#lldp med-tlv inventory
Console(config-if)#
```

lldp med-tlv location This command configures an LLDP-MED-enabled port to advertise its location identification details. Use the **no** form to disable this feature.

Syntax

[no] lldp med-tlv location

Default Setting

Enabled

Command Mode

Interface Configuration (Ethernet, Port Channel)

Command Usage

This option advertises location identification details.

Example

```
Console(config)#interface ethernet 1/1
Console(config-if)#lldp med-tlv location
Console(config-if)#
```

lldp med-tlv med-cap This command configures an LLDP-MED-enabled port to advertise its Media Endpoint Device capabilities. Use the **no** form to disable this feature.

Syntax

```
[no] lldp med-tlv med-cap
```

Default Setting

Enabled

Command Mode

Interface Configuration (Ethernet, Port Channel)

Command Usage

This option advertises LLDP-MED TLV capabilities, allowing Media Endpoint and Connectivity Devices to efficiently discover which LLDP-MED related TLVs are supported on the switch.

Example

```
Console(config)#interface ethernet 1/1
Console(config-if)#lldp med-tlv med-cap
Console(config-if)#
```

lldp med-tlv network-policy This command configures an LLDP-MED-enabled port to advertise its network policy configuration. Use the **no** form to disable this feature.

Syntax

```
[no] lldp med-tlv network-policy
```

Default Setting

Enabled

Command Mode

Interface Configuration (Ethernet, Port Channel)

Command Usage

This option advertises network policy configuration information, aiding in the discovery and diagnosis of VLAN configuration mismatches on a port. Improper

network policy configurations frequently result in voice quality degradation or complete service disruption.

Example

```
Console(config)#interface ethernet 1/1
Console(config-if)#lldp med-tlv network-policy
Console(config-if)#
```

lldp notification This command enables the transmission of SNMP trap notifications about LLDP changes in remote neighbors. Use the **no** form to disable LLDP notifications.

Syntax

[no] lldp notification

Default Setting

Enabled

Command Mode

Interface Configuration (Ethernet, Port Channel)

Command Usage

- This option sends out SNMP trap notifications to designated target stations at the interval specified by the [lldp notification-interval](#) command. Trap notifications include information about state changes in the LLDP MIB (IEEE 802.1AB), or organization-specific LLDP-EXT-DOT1 and LLDP-EXT-DOT3 MIBs.
- SNMP trap destinations are defined using the [snmp-server host](#) command.
- Information about additional changes in LLDP neighbors that occur between SNMP notifications is not transmitted. Only state changes that exist at the time of a trap notification are included in the transmission. An SNMP agent should therefore periodically check the value of `IldpStatsRemTableLastChangeTime` to detect any `IldpRemTablesChange` notification-events missed due to throttling or transmission loss.

Example

```
Console(config)#interface ethernet 1/1
Console(config-if)#lldp notification
Console(config-if)#
```

show lldp config This command shows LLDP configuration settings for all ports.

Syntax

show lldp config [detail *interface*]

detail - Shows configuration summary.

interface

ethernet *unit/port*

unit - Unit identifier.

port - Port number.

port-channel *channel-id*

Command Mode

Privileged Exec

Example

The following example shows the basic LLDP parameters for Port 1.

```

Console#show lldp config detail ethernet 1/1

LLDP Port Configuration Detail
Port                               : Eth 1/1
Admin Status                       : Tx-Rx
Notification Enabled               : True
Basic TLVs Advertised              : port-description
                                   system-name
                                   system-description
                                   system-capabilities
                                   management-ip-address
802.1 specific TLVs Advertised     : port-vid
                                   vlan-name
                                   proto-vlan
                                   proto-ident
802.3 specific TLVs Advertised     : mac-phy
                                   link-agg
                                   max-frame
MED Notification Status            : Disabled
MED Enabled TLVs Advertised        : med-cap
                                   network-policy
                                   location
                                   inventory

MED Location Identification
Location Data Format                : Civic Address LCI
Country Name                       : DK
What                               : 2 - DHCP Client
CA Type 1                          : 12
CA Type 13                         : 13

Console#

```


show lldp info local-device This command shows LLDP global and interface-specific configuration settings for this device.

Syntax

```
show lldp info local-device [detail interface]
```

detail - Shows configuration summary.

interface

ethernet *unit/port*

unit - Unit identifier.

port - Port number.

port-channel *channel-id*

Command Mode

Privileged Exec

Example

```
Console#show lldp info local-device
LLDP Local Global Information
Chassis Type : MAC Address
Chassis ID   : 00-01-02-03-04-05
System Name  :
System Description : ECS5550-54X
System Capabilities Support : Bridge
System Capabilities Enabled : Bridge
Management Address : 192.168.0.101 (IPv4)

LLDP Port Information
Port      Port ID Type      Port ID      Port Description
-----
Eth 1/1   MAC Address    00-12-CF-DA-FC-E9 Ethernet Port on unit 1, port 1
Eth 1/2   MAC Address    00-12-CF-DA-FC-EA Ethernet Port on unit 1, port 2
Eth 1/3   MAC Address    00-12-CF-DA-FC-EB Ethernet Port on unit 1, port 3
Eth 1/4   MAC Address    00-12-CF-DA-FC-EC Ethernet Port on unit 1, port 4
.
.
Console#show lldp info local-device detail ethernet 1/1
LLDP Local Port Information Detail
Port          : Eth 1/1
Port ID Type  : MAC Address
Port ID       : 00-12-CF-DA-FC-E9
Port Description : Ethernet Port on unit 1, port 1
MED Capability : LLDP-MED Capabilities
                Network Policy
                Location Identification
                Inventory

Console#
```

show lldp info remote-device This command shows LLDP global and interface-specific configuration settings for remote devices attached to an LLDP-enabled port.

Syntax

```
show lldp info remote-device [detail interface]
```

detail - Shows detailed information.

interface

ethernet *unit/port*

unit - Unit identifier.

port - Port number.

port-channel *channel-id*

Command Mode

Privileged Exec

Example

Note that an IP phone or other end-node device which advertises LLDP-MED capabilities must be connected to the switch for information to be displayed in the “LLDP-MED Capability” and other related fields.

```

Console#show lldp info remote-device
LLDP Remote Devices Information
  Local Port Chassis ID          Port ID          System Name
  -----
Eth 1/1      00-E0-0C-00-00-FD 00-E0-0C-00-01-02

Console#show lldp info remote-device detail ethernet 1/1
LLDP Remote Devices Information Detail
-----
Index                : 2
Chassis Type         : MAC Address
Chassis ID           : 70-72-CF-91-1C-B2
Port ID Type         : MAC Address
Port ID              : 70-72-CF-91-1C-B4
Time To Live         : 120 seconds
Port Description     : Ethernet Port on unit 1, port 2
System Description   : ECS5550-54X
System Capabilities  : Bridge
Enabled Capabilities : Bridge

Management Address  : 192.168.0.4 (IPv4)

Port VLAN ID       : 1

Port and Protocol VLAN ID : supported, disabled

VLAN Name          : VLAN    1 - DefaultVlan

Protocol Identity (Hex) : 88-CC

MAC/PHY Configuration/Status
Port Auto-neg Supported      : Yes
Port Auto-neg Enabled       : Yes

```

```

Port Auto-neg Advertised Cap (Hex) : 6C00
Port MAU Type                       : 16

Power via MDI
Power Class                         : PSE
Power MDI Supported                  : Yes
Power MDI Enabled                    : Yes
Power Pair Controllable             : No
Power Pairs                          : Spare
Power Classification                 : Class 1

Link Aggregation
Link Aggregation Capable            : Yes
Link Aggregation Enable             : No
Link Aggregation Port ID           : 0

Max Frame Size : 1522

Console#

```

The following example shows information which is displayed for end-node device which advertises LLDP-MED TLVs.

```

...
LLDP-MED Capability :
  Device Class                : Network Connectivity
  Supported Capabilities      : LLDP-MED Capabilities
                              Network Policy
                              Location Identification
                              Extended Power via MDI - PSE
                              Inventory
  Current Capabilities        : LLDP-MED Capabilities
                              Location Identification
                              Extended Power via MDI - PSE
                              Inventory

Location Identification :
  Location Data Format         : Civic Address LCI
  Country Name                : TW
  What                        : 2
Extended Power via MDI :
  Power Type                  : PSE
  Power Source                 : Unknown
  Power Priority               : Unknown
  Power Value                  : 0 Watts
Inventory                    :
  Hardware Revision           : R0A
  Firmware Revision           : 1.2.6.0
  Software Revision           : 1.2.6.0
  Serial Number                : S123456
  Manufacture Name            : Prye
  Model Name                   : VP101
  Asset ID                     : 340937

Console#

```

show lldp info statistics This command shows statistics based on traffic received through all attached LLDP-enabled interfaces.

Syntax

```
show lldp info statistics [detail interface]
```

detail - Shows configuration summary.

interface

ethernet *unit/port*

unit - Unit identifier.

port - Port number.

port-channel *channel-id*

Command Mode

Privileged Exec

Example

```
Console#show lldp info statistics
LLDP Global Statistics
Neighbor Entries List Last Updated : 485 seconds
New Neighbor Entries Count         : 2
Neighbor Entries Deleted Count     : 1
Neighbor Entries Dropped Count     : 0
Neighbor Entries Ageout Count      : 1

LLDP Port Statistics
Port      NumFramesRecvd NumFramesSent NumFramesDiscarded
-----
Eth 1/1   12             12             0
Eth 1/2   17             17             0
Eth 1/3   0              0              0
Eth 1/4   0              0              0
Eth 1/5   0              0              0
:
:
Console#show lldp info statistics detail ethernet 1/1
LLDP Port Statistics Detail
Port Name      : Eth 1/1
Frames Discarded : 0
Frames Invalid : 0
Frames Received : 12
Frames Sent    : 12
TLVs Unrecognized : 0
TLVs Discarded : 0
Neighbor Ageouts : 1
Console#
```

CFM Commands

Connectivity Fault Management (CFM) is an OAM protocol that includes proactive connectivity monitoring using continuity check messages, fault verification through loop back messages, and fault isolation by examining end-to-end connections between provider edge devices or between customer edge devices.

CFM is implemented as a service level protocol based on service instances which encompass only that portion of the metropolitan area network supporting a specific customer. CFM can also provide controlled management access to a hierarchy of maintenance domains (such as the customer, service provider, and equipment operator).

The following list of commands support functions for defining the CFM structure, including domains, maintenance associations, and maintenance access points. It also provides commands for fault detection through continuity check messages for all known maintenance points, and cross-check messages for statically configured maintenance points located on other devices. Fault verification is supported through loop back messages, and fault isolation through link trace messages. Fault notification is also provided by SNMP alarms which are automatically generated by maintenance points when connectivity faults or configuration errors are detected in the local maintenance domain.

Table 113: CFM Commands

Command	Function	Mode
<i>Defining CFM Structures</i>		
<code>ethernet cfm ais level</code>	Configures the maintenance level at which Alarm Indication Signal information will be sent	GC
<code>ethernet cfm ais ma</code>	Enables the MEPs within the specified MA to send frames with AIS information	GC
<code>ethernet cfm ais period</code>	Configures the interval at which AIS information is sent	GC
<code>ethernet cfm ais suppress alarm</code>	Suppresses AIS messages following the detection of defect conditions	GC
<code>ethernet cfm domain</code>	Defines a CFM maintenance domain, sets the authorized maintenance level, and enters CFM configuration mode; also specifies the MIP creation method for MAs within this domain	GC
<code>ethernet cfm enable</code>	Enables CFM processing globally on the switch	GC
<code>ma index name</code>	Creates a maintenance association within the current maintenance domain, maps it to a customer service instance, and sets the manner in which MIPs are created for this service instance	CFM

Table 113: CFM Commands (Continued)

Command	Function	Mode
<code>ma index name-format</code>	Specifies the name format for the maintenance association as IEEE 802.1ag character based, or ITU-T SG13/SG15 Y.1731 defined ICC-based format	CFM
<code>ethernet cfm mep</code>	Sets an interface as a domain boundary, defines it as a maintenance end point (MEP), and sets direction of the MEP in regard to sending and receiving CFM messages	IC
<code>ethernet cfm port-enable</code>	Enables CFM processing on an interface	IC
<code>clear ethernet cfm ais mpid</code>	Clears AIS defect information for the specified MEP	PE
<code>show ethernet cfm configuration</code>	Displays CFM configuration settings, including global settings, SNMP traps, and interface settings	PE
<code>show ethernet cfm md</code>	Displays configured maintenance domains	PE
<code>show ethernet cfm ma</code>	Displays configured maintenance associations	PE
<code>show ethernet cfm maintenance-points local</code>	Displays maintenance points configured on this device	PE
<code>show ethernet cfm maintenance-points local detail mep</code>	Displays detailed CFM information about a specified local MEP in the continuity check database	PE
<code>show ethernet cfm maintenance-points remote detail</code>	Displays detailed CFM information about a specified remote MEP in the continuity check database	PE
<i>Continuity Check Operations</i>		
<code>ethernet cfm cc ma interval</code>	Sets the transmission delay between continuity check messages	GC
<code>ethernet cfm cc enable</code>	Enables transmission of continuity check messages within a specified maintenance association	GC
<code>snmp-server enable traps ethernet cfm cc</code>	Enables SNMP traps for CFM continuity check events	GC
<code>mep archive-hold-time</code>	Sets the time that data from a missing MEP is kept in the continuity check database before being purged	CFM
<code>clear ethernet cfm maintenance-points remote</code>	Clears the contents of the continuity check database	PE
<code>clear ethernet cfm errors</code>	Clears continuity check errors logged for the specified maintenance domain and maintenance level	PE
<code>show ethernet cfm errors</code>	Displays CFM continuity check errors logged on this device	PE
<i>Cross Check Operations</i>		
<code>ethernet cfm mep crosscheck start-delay</code>	Sets the maximum delay that a device waits for remote MEPs to come up before starting the cross-check operation	GC
<code>snmp-server enable traps ethernet cfm crosscheck</code>	Enables SNMP traps for CFM continuity check events, in relation to the cross-check operations between statically configured MEPs and those learned via continuity check messages	GC
<code>mep crosscheck mpid</code>	Statically defines a remote MEP in a maintenance association	CFM

Table 113: CFM Commands (Continued)

Command	Function	Mode
<code>ethernet cfm mep crosscheck</code>	Enables cross-checking between the list of configured remote MEPs within a maintenance association and MEPs learned through continuity check messages	PE
<code>show ethernet cfm maintenance-points remote crosscheck</code>	Displays information about remote maintenance points configured statically in a cross-check list	PE
<i>Link Trace Operations</i>		
<code>ethernet cfm linktrace cache</code>	Enables caching of CFM data learned through link trace messages	GC
<code>ethernet cfm linktrace cache hold-time</code>	Sets the hold time for CFM link trace cache entries	GC
<code>ethernet cfm linktrace cache size</code>	Sets the maximum size for the link trace cache	GC
<code>ethernet cfm linktrace</code>	Sends CFM link trace messages to the MAC address for a MEP	PE
<code>clear ethernet cfm linktrace-cache</code>	Clears link trace messages logged on this device	PE
<code>show ethernet cfm linktrace-cache</code>	Displays the contents of the link trace cache	PE
<i>Loopback Operations</i>		
<code>ethernet cfm loopback</code>	Sends CFM loopback messages to a MAC address for a MEP or MIP	PE
<i>Fault Generator Operations</i>		
<code>mep fault-notify alarm-time</code>	Sets the time a defect must exist before a fault alarm is issued	CFM
<code>mep fault-notify lowest-priority</code>	Sets the lowest priority defect that is allowed to generate a fault alarm	CFM
<code>mep fault-notify reset-time</code>	Configures the time after a fault alarm has been issued, and no defect exists, before another fault alarm can be issued	CFM
<code>show ethernet cfm fault-notify-generator</code>	Displays configuration settings for the fault notification generator	PE
<i>Delay Measure Operations</i>		
<code>ethernet cfm delay-measure two-way</code>	Sends periodic delay-measure requests to a specified MEP within a maintenance association	PE

Basic Configuration Steps for CFM

1. Configure the maintenance domains with the `ethernet cfm domain` command.
2. Configure the maintenance associations with the `ma index name` command.
3. Configure the local maintenance end points (MEPs) which will serve as the domain service access points for the specified maintenance association using the `ethernet cfm mep` command.

4. Enter a static list of MEPs assigned to other devices within the same maintenance association using the `mep crosscheck mpid` command. This allows CFM to automatically verify the functionality of these remote end points by cross-checking the static list configured on this device against information learned through continuity check messages.
5. Enable CFM globally on the switch with the `ethernet cfm enable` command.
6. Enable CFM on the local MEPs with the `ethernet cfm port-enable` command.
7. Enable continuity check operations with the `ethernet cfm cc enable` command.
8. Enable cross-check operations with the `ethernet cfm mep crosscheck` command.

Other configuration changes may be required for your particular environment, such as adjusting the interval at which continuity check messages are sent (page 751), or setting the start-up delay for the cross-check operation (page 756). You can also enable SNMP traps for events discovered by continuity check messages (page 753) or cross-check messages (page 757).

Defining CFM Structures

ethernet cfm ais level This command configures the maintenance level at which Alarm Indication Signal (AIS) information will be sent within the specified MA. Use the **no** form restore the default setting.

Syntax

```
ethernet cfm ais level level-id md domain-name ma ma-name
```

```
no ethernet cfm ais level md domain-name ma ma-name
```

level-id – Maintenance level at which AIS information will be sent.
(Range: 0-7)

domain-name – Domain name. (Range: 1-43 alphanumeric characters)

ma-name – Maintenance association name. (Range: 1-43 alphanumeric characters)

Default Setting

Level 0

Command Mode

Global Configuration

Command Usage

The configured AIS level must be higher than the maintenance level of the domain containing the specified MA.

Example

This example sets the maintenance level for sending AIS messages within the specified MA.

```
Console(config)#ethernet cfm ais level 4 md voip ma rd
Console(config)#
```

ethernet cfm ais ma This command enables the MEPs within the specified MA to send frames with AIS information following detection of defect conditions. Use the **no** form to disable this feature.

Syntax

[no] ethernet cfm ais md *domain-name* **ma** *ma-name*

domain-name – Domain name. (Range: 1-43 alphanumeric characters)

ma-name – Maintenance association name¹⁵. (Range: 1-43 alphanumeric characters)

Default Setting

Disabled

Command Mode

Global Configuration

Command Usage

- Each MA name must be unique within the CFM domain.
- Frames with AIS information can be issued at the client's maintenance level by a MEP upon detecting defect conditions. For example, defect conditions may include:
 - Signal failure conditions if continuity checks are enabled.
 - AIS condition or LCK condition if continuity checks are disabled.
- A MEP continues to transmit periodic frames with AIS information until the defect condition is removed.

Example

This example enables the MEPs within the specified MA to send frames with AIS information.

```
Console(config)#ethernet cfm ais md voip ma rd
Console(config)#
```

15. The total length of the MD name and MA name cannot exceed 44 characters.

ethernet cfm ais period This command configures the interval at which AIS information is sent. Use the **no** form to restore the default setting.

Syntax

ethernet cfm ais period *period* **md** *domain-name* **ma** *ma-name*

no ethernet cfm ais period **md** *domain-name* **ma** *ma-name*

period – The interval at which AIS information is sent.
(Options: 1 second, 60 seconds)

domain-name – Domain name. (Range: 1-43 alphanumeric characters)

ma-name – Maintenance association name. (Range: 1-43 alphanumeric characters)

Default Setting

1 second

Command Mode

Global Configuration

Example

This example sets the interval for sending frames with AIS information at 60 seconds.

```
Console(config)#ethernet cfm ais period 60 md voip ma rd
Console(config)#
```

ethernet cfm ais suppress alarm This command suppresses sending frames containing AIS information following the detection of defect conditions. Use the **no** form to restore the default setting.

Syntax

[no] ethernet cfm ais suppress alarm **md** *domain-name* **ma** *ma-name*

domain-name – Domain name. (Range: 1-43 alphanumeric characters)

ma-name – Maintenance association name. (Range: 1-43 alphanumeric characters)

Default Setting

Suppression is disabled

Command Mode

Global Configuration

Command Usage

- For multipoint connectivity, a MEP cannot determine the specific maintenance level entity that has encountered defect conditions upon receiving a frame with AIS information. More importantly, it cannot determine the associated subset of its peer MEPs for which it should suppress alarms since the received AIS information does not contain that information. Therefore, upon reception of a frame with AIS information, the MEP will suppress alarms for all peer MEPs whether there is still connectivity or not.
- However, for a point-to-point connection, a MEP has only a single peer MEP for which to suppress alarms when it receives frames with AIS information.
- If suppression is enabled by this command, upon receiving a frame with AIS information, a MEP detects an AIS condition and suppresses loss of continuity alarms associated with all its peer MEPs. A MEP resumes loss of continuity alarm generation upon detecting loss of continuity defect conditions in the absence of AIS messages.

Example

This example suppresses sending frames with AIS information.

```
Console(config)#ethernet cfm ais suppress alarm md voip ma rd
Console(config)#
```

ethernet cfm domain This command defines a CFM maintenance domain, sets the authorized maintenance level, and enters CFM configuration mode. Use the **no** form to delete a CFM maintenance domain.

Syntax

ethernet cfm domain index *index* **name** *domain-name* **level** *level-id*
[**mip-creation** *type*]

no ethernet cfm domain index *index*

index – Domain index. (Range: 1-65535)

domain-name – Domain name. (Range: 1-43 alphanumeric characters)

level-id – Authorized maintenance level for this domain. (Range: 0-7)

type – Specifies the CFM protocol's creation method for maintenance intermediate points (MIPs) in this domain:

default – MIPs can be created for any maintenance association (MA) configured in this domain on any bridge port through which the MA's VID can pass.

explicit – MIPs can be created for any MA configured in this domain only on bridge ports through which the MA's VID can pass, and only if a maintenance end point (MEP) is created at some lower MA Level.

none – No MIP can be created for any MA configured in this domain.

Default Setting

No maintenance domains are configured.

No MIPs are created for any MA in the specified domain.

Command Mode

Global Configuration

Command Usage

- A domain can only be configured with one name.
- Where domains are nested, an upper-level hierarchical domain must have a higher maintenance level than the ones it encompasses. The higher to lower level domain types commonly include entities such as customer, service provider, and operator.
- More than one domain can be configured at the same maintenance level, but a single domain can only be configured with one maintenance level.
- If MEPs or MAs are configured for a domain using the `ethernet cfm mep` command or `ma index name` command, they must first be removed before you can remove the domain.
- Maintenance domains are designed to provide a transparent method of verifying and resolving connectivity problems for end-to-end connections. By default, these connections run between the domain service access points (DSAPs) within each MA defined for a domain, and are manually configured using the `ethernet cfm mep` command.

In contrast, MIPs are interconnection points that make up all possible paths between the DSAPs within an MA. MIPs are automatically generated by the CFM protocol when the `mip-creation` option in this command is set to “default” or “explicit,” and the MIP creation state machine is invoked (as defined in IEEE 802.1ag). The default option allows MIPs to be created for all interconnection points within an MA, regardless of the domain’s level in the maintenance hierarchy (e.g., customer, provider, or operator). While the explicit option only generates MIPs within an MA if its associated domain is not at the bottom of the maintenance hierarchy. This option is used to hide the structure of network at the lowest domain level.

The diagnostic functions provided by CFM can be used to detect connectivity failures between any pair of MEPs in an MA. Using MIPs allows these failures to be isolated to smaller segments of the network.

Allowing the CFM to generate MIPs exposes more of the network structure to users at higher domain levels, but can speed up the process of fault detection and recovery. This trade-off should be carefully considered when designing a CFM maintenance structure.

Also note that while MEPs are active agents which can initiate consistency check messages (CCMs), transmit loop back or link trace messages, and maintain the local CCM database. MIPs, on the other hand are passive agents which can

only validate received CFM messages, and respond to loop back and link trace messages.

The MIP creation method defined by the `ma index name` command takes precedence over the method defined by this command.

Example

This example creates a maintenance domain set to maintenance level 3, and enters CFM configuration mode for this domain.

```
Console(config)#ethernet cfm domain index 1 name voip level 3 mip-creation
explicit
Console(config-ether-cfm)#
```

ethernet cfm enable This command enables CFM processing globally on the switch. Use the **no** form to disable CFM processing globally.

Syntax

`[no] ethernet cfm enable`

Default Setting

Enabled

Command Mode

Global Configuration

Command Usage

- To avoid generating an excessive number of traps, the complete CFM maintenance structure and process parameters should be configured prior to globally enabling CFM processing with this command. Specifically, the maintenance domains, maintenance associations, and MEPs should be configured on each participating bridge.
- When CFM is enabled, hardware resources are allocated for CFM processing.

Example

This example enables CFM globally on the switch.

```
Console(config)#ethernet cfm enable
Console(config)#
```

ma index name This command creates a maintenance association (MA) within the current maintenance domain, maps it to a customer service instance (S-VLAN), and sets the manner in which MIPs are created for this service instance. Use the **no** form with the

vlan keyword to remove the S-VLAN from the specified MA. Or use the **no** form with only the **index** keyword to remove the MA from the current domain.

Syntax

ma index *index* **name** *ma-name* [**vlan** *vlan-list* [**mip-creation** *type*]]

no ma index *index* [**vlan** *vlan-list*]

index – MA identifier. (Range: 1-2147483647)

ma-name – MA name. (Range: 1-43 alphanumeric characters)

vlan-list - Separate nonconsecutive VLAN identifiers with a comma and no spaces; use a hyphen to designate a range of IDs. (Range: 1-4094).

type – Specifies the CFM protocol's creation method for maintenance intermediate points (MIPs) in this MA:

default – MIPs can be created for this MA on any bridge port through which the MA's VID can pass.

explicit – MIPs can be created this MA only on bridge ports through which the MA's VID can pass, and only if a maintenance end point (MEP) is created at some lower MA Level.

none – No MIP can be created for this MA.

Default Setting

None

Command Mode

CFM Domain Configuration

Command Usage

- The maintenance domain used to enter CFM domain configuration mode, the MA name and VLAN identifier specified by this command, and the DSAPs configured with the [mep crosscheck mpid](#) command create a unique service instance for each customer.
- If only the MA index and name are entered for this command, the MA will be recorded in the domain database, but will not function. No MEPs can be created until the MA is associated with a service VLAN.
- Note that multiple domains at the same maintenance level (see the [ethernet cfm domain](#) command) cannot have an MA on the same VLAN. Also, each MA name must be unique within the CFM-managed network.
- The first VLAN entered in the list by this command is the primary VLAN, and is the VLAN on which all CFM functions are executed.
- Before removing an MA, first remove all the MEPs configured for it (see the [mep crosscheck mpid](#) command).

- If the MIP creation method is not defined by this command, the creation method defined by the `ethernet cfm domain` command is applied to this MA. For a detailed description of the MIP types, refer to the Command Usage section under the `ethernet cfm domain` command.

Example

This example creates a maintenance association, binds it to VLAN 1, and allows MIPs to be created within this MA using the default method.

```
Console(config)#ethernet cfm domain index 1 name voip level 3
Console(config-ether-cfm)#ma index 1 name rd vlan 1 mip-creation default
Console(config-ether-cfm)#
```

ma index name-format

This command specifies the name format for the maintenance association as IEEE 802.1ag character based, or ITU-T SG13/SG15 Y.1731 defined ICC-based format. Use the **no** form to restore the default setting.

Syntax

ma index *index* **name-format** {*character-string* | *icc-based*}

no ma index *index* **name-format**

index – MA identifier. (Range: 1-2147483647)

character-string – IEEE 802.1ag defined character string format. This is an IETF RFC 2579 DisplayString.

icc-based – ITU-T SG13/SG15 Y.1731 defined ICC based format.

Default Setting

character-string

Command Mode

CFM Domain Configuration

Example

This example specifies the name format as character string.

```
Console(config)#ethernet cfm domain index 1 name voip level 3
Console(config-ether-cfm)#ma index 1 name-format character-string
Console(config-ether-cfm)#
```

ethernet cfm mep This command sets an interface as a domain boundary, defines it as a maintenance end point (MEP), and sets direction of the MEP in regard to sending and receiving CFM messages. Use the **no** form to delete a MEP.

Syntax

ethernet cfm mep mpid *mpid* **md** *domain-name* **ma** *ma-name* [**up**]

no ethernet cfm mep mpid *mpid* **ma** *ma-name*

mpid – Maintenance end point identifier. (Range: 1-8191)

domain-name – Domain name. (Range: 1-43 alphanumeric characters)

ma-name – Maintenance association name. (Range: 1-43 alphanumeric characters)

up – Indicates that the MEP faces inward toward the switch cross-connect matrix, and transmits CFM messages towards, and receives them from, the direction of the internal bridge relay mechanism. If the **up** keyword is not included in this command, then the MEP is facing away from the switch, and transmits CFM messages towards, and receives them from, the direction of the physical medium.

Default Setting

No MEPs are configured.
The MEP faces outward (down).

Command Mode

Interface Configuration (Ethernet, Port Channel)

Command Usage

- CFM elements must be configured in the following order: (1) maintenance domain at the same level as the MEP to be configured (using the **ethernet cfm domain** command), (2) maintenance association within the domain (using the **ma index name** command), and (3) finally the MEP using this command.
- An interface may belong to more than one domain. This command can be used to configure an interface as a MEP for different MAs in different domains.
- To change the MEP's MA or the direction it faces, first delete the MEP, and then create a new one.

Example

This example sets port 1 as a DSAP for the specified maintenance association.

```
Console(config)#interface ethernet 1/1
Console(config-if)#ethernet cfm mep mpid 1 md voip ma rd
Console(config-if)#
```


ethernet cfm port-enable This command enables CFM processing on an interface. Use the **no** form to disable CFM processing on an interface.

Syntax

[no] **ethernet cfm port-enable**

Default Setting

Enabled

Command Mode

Interface Configuration (Ethernet, Port Channel)

Command Usage

- An interface must be enabled before a MEP can be created with the **ethernet cfm mep** command.
- If a MEP has been configured on an interface with the **ethernet cfm mep** command, it must first be deleted before CFM can be disabled on that interface.
- When CFM is disabled, hardware resources previously used for CFM processing on that interface are released, and all CFM frames entering that interface are forwarded as normal data traffic.

Example

This example enables CFM on port 1.

```
Console(config)#interface ethernet 1/1
Console(config-if)#ethernet cfm port-enable
Console(config-if)#
```

clear ethernet cfm ais mpid This command clears AIS defect information for the specified MEP.

Syntax

clear ethernet cfm ais mpid *mpid* **md** *domain-name* **ma** *ma-name*

mpid – Maintenance end point identifier. (Range: 1-8191)

domain-name – Domain name. (Range: 1-43 alphanumeric characters)

ma-name – Maintenance association name. (Range: 1-43 alphanumeric characters)

Default Setting

None

Command Mode

Privileged Exec

Command Usage

This command can be used to clear AIS defect entries if a MEP does not exit the AIS state when all errors are resolved.

Example

This example clears AIS defect entries on port 1.

```
Console#clear ethernet cfm ais mpid 1 md voip ma rd
Console#
```

show ethernet cfm configuration This command displays CFM configuration settings, including global settings, SNMP traps, and interface settings.

Syntax

show ethernet cfm configuration {**global** | **traps** | **interface** *interface*}

global – Displays global settings including CFM global status, cross-check start delay, and link trace parameters.

traps – Displays the status of all continuity check and cross-check traps.

interface – Displays CFM status for the specified interface.

ethernet *unit/port*

unit - Unit identifier.

port - Port number.

port-channel *channel-id*

Default Setting

None

Command Mode

Privileged Exec

Example

This example shows the global settings for CFM.

```
Console#show ethernet cfm configuration global
CFM Global Status      : Enabled
Crosscheck Start Delay : 10 seconds
Linktrace Cache Status : Enabled
Linktrace Cache Hold Time : 100 minutes
Linktrace Cache Size   : 100 entries
Console#
```

This example shows the configuration status for continuity check and cross-check traps.

```
Console#show ethernet cfm configuration traps
CC MEP Up Trap           :Disabled
CC MEP Down Trap         :Disabled
CC Configure Trap        :Disabled
CC Loop Trap             :Disabled
Cross Check MEP Unknown Trap :Disabled
Cross Check MEP Missing Trap :Disabled
Cross Check MA Up        :Disabled
Console#
```

This example shows the CFM status for port 1.

```
Console#show ethernet cfm configuration interface ethernet 1/1
Ethernet 1/1 CFM Status:Enabled
Console#
```

show ethernet cfm md This command displays the configured maintenance domains.

Syntax

```
show ethernet cfm md [level level]
```

level – Maintenance level. (Range: 0-7)

Default Setting

None

Command Mode

Privileged Exec

Example

This example shows all configured maintenance domains.

```
Console#show ethernet cfm md
MD Index  MD Name           Level  MIP Creation  Archive Hold Time (m.)
-----  -
1         rd                   0      default       100
Console#
```

show ethernet cfm ma This command displays the configured maintenance associations.

Syntax

```
show ethernet cfm ma [level level]
```

level – Maintenance level. (Range: 0-7)

Default Setting

None

Command Mode

Privileged Exec

Command Usage

For a description of the values displayed in the CC Interval field, refer to the [ethernet cfm cc ma interval](#) command.

Example

This example shows all configured maintenance associations.

```

Console#show ethernet cfm ma
MD Name           MA Index MA Name           Primary VID  CC Interval MIP Creation
-----
steve              1 voip              1            4 Default
Console#

```

**show ethernet cfm
maintenance-points
local**

This command displays the maintenance points configured on this device.

Syntax**show ethernet cfm maintenance-points local**

```
{mep [domain domain-name | interface interface | level level-id] | mip
[domain domain-name | level level-id]}
```

mep – Displays only local maintenance end points.

mip – Displays only local maintenance intermediate points.

domain-name – Domain name. (Range: 1-43 alphanumeric characters)

interface – Displays CFM status for the specified interface.

ethernet *unit/port*

unit - Unit identifier.

port - Port number.

port-channel *channel-id*

level-id – Maintenance level for this domain. (Range: 0-7)

Default Setting

None

Command Mode

Privileged Exec

Command Usage

- Use the **mep** keyword with this command to display the MEPs configured on this device as DSAPs through the `ethernet cfm mep` command.
- Using the **mip** keyword with this command to display the MIPs generated on this device by the CFM protocol when the mip-creation method is set to either “default” or “explicit” by the `ethernet cfm domain` command or the `ma index name` command.

Example

This example shows all MEPs configured on this device for maintenance domain rd.

```

Console#show ethernet cfm maintenance-points local mep
MPID MD Name          Level Direct VLAN Port      CC Status MAC Address
-----
  1 rd                 0 UP      1 Eth 1/ 1 Enabled 00-12-CF-3A-A8-C0
Console#

```

show ethernet cfm maintenance-points local detail mep

This command displays detailed CFM information about a local MEP in the continuity check database.

Syntax

```
show ethernet cfm maintenance-points local detail mep [domain domain-name
| interface interface | level level-id]
```

domain-name – Domain name. (Range: 1-43 alphanumeric characters)

interface – Displays CFM status for the specified interface.

ethernet *unit/port*

unit - Unit identifier.

port - Port number.

port-channel *channel-id*

level-id – Maintenance level for this domain. (Range: 0-7)

Default Setting

None

Command Mode

Privileged Exec

Example

This example shows detailed information about the local MEP on port 1.

```

Console#show ethernet cfm maintenance-points local detail mep interface
ethernet 1/1
MEP Settings:

```

```

-----
MPID                : 1
MD Name             : vopu
MA Name             : r&d
MA Name Format       : Character String
Level               : 0
Direction           : Up
Interface           : Eth 1/ 1
CC Status           : Enabled
MAC Address         : 00-E0-0C-00-00-FD
Defect Condition    : No Defect
Received RDI        : False
AIS Status          : Enabled
AIS Period          : 1 seconds
AIS Transmit Level  : Default
Suppress Alarm      : Disabled
Suppressing Alarms  : Disabled

Console#

```

show ethernet cfm maintenance-points remote detail This command displays detailed CFM information about a remote MEP in the continuity check database.

Syntax

```

show ethernet cfm maintenance-points remote detail
{mac mac-address | mpid mpid}
[domain domain-name | level level-id]

```

mac-address – MAC address of a remote maintenance point.
This address can be entered in either of the following formats: xx-xx-xx-xx-xx-xx or xxxxxxxxxxxx

mpid – Maintenance end point identifier. (Range: 1-8191)

domain-name – Domain name. (Range: 1-43 alphanumeric characters)

level-id – Authorized maintenance level for this domain. (Range: 0-7)

Default Setting

None

Command Mode

Privileged Exec

Command Usage

Use the **mpid** keyword with this command to display information about a specific maintenance point, or use the **mac** keyword to display information about all maintenance points that have the specified MAC address.

Example

This example shows detailed information about the remote MEP designated by MPID 2.

```

Console#show ethernet cfm maintenance-points remote detail mpid 2
MAC Address           : 00-0D-54-FC-A2-73
Domain/Level         : voip / 3
MA Name              : rd
Primary VLAN         : 1
MPID                 : 2
Incoming Port        : Eth 1/ 2
CC Lifetime          : 645 seconds
Age of Last CC Message : 2 seconds
Frame Loss           : 137
CC Packet Statistics : 647/1
Port State           : Up
Interface State      : Up
Crosscheck Status    : Enabled

Console#

```

Continuity Check Operations

ethernet cfm cc ma interval This command sets the transmission delay between continuity check messages (CCMs). Use the **no** form to restore the default settings.

Syntax

ethernet cfm cc md *domain-name* **ma** *ma-name* **interval** *interval-level*

no ethernet cfm cc ma *ma-name* **interval**

domain-name – Domain name. (Range: 1-43 alphanumeric characters)

ma-name – Maintenance association name. (Range: 1-43 alphanumeric characters)

interval-level – The transmission delay between connectivity check messages. The setting for this parameter is expressed as levels 1 through 7, which in turn map to specific intervals of time. (CCM interval field options: 1 - 300Hz, 2 - 10 milliseconds, 3 - 100 milliseconds, 4 - 1 second, 5 - 10 seconds, 6 - 1 minute, 7 - 10 minutes)

Default Setting

4 (1 second)

Command Mode

Global Configuration

Command Usage

- CCMs provide a means to discover other MEPs and to detect connectivity failures in an MA. If any MEP fails to receive three consecutive CCMs from any other MEPs in its MA, a connectivity failure is registered. The interval at which

CCMs are issued should therefore be configured to detect connectivity problems in a timely manner, as dictated by the nature and size of the MA.

- The maintenance of a MIP CCM database by a MIP presents some difficulty for bridges carrying a large number of Service Instances, and for whose MEPs are issuing CCMs at a high frequency. For this reason, slower CCM transmission rates may have to be used.

Example

This example sets the transmission delay for continuity check messages to level 7 (60 seconds).

```
Console(config)#ethernet cfm cc md voip ma rd interval 7
Console(config)#
```

ethernet cfm cc enable This command enables the transmission of continuity check messages (CCMs) within a specified maintenance association. Use the **no** form to disable the transmission of these messages.

Syntax

[no] ethernet cfm cc enable md *domain-name* **ma** *ma-name*

domain-name – Domain name. (Range: 1-43 alphanumeric characters)

ma-name – Maintenance association name. (Range: 1-43 alphanumeric characters)

Default Setting

Enabled

Command Mode

Global Configuration

Command Usage

- CCMs are multicast periodically by a MEP in order to discover other MEPs in the same MA, and to assure connectivity to all other MEPs/MIPs in the MA.
- Each CCM received is checked to verify that the MEP identifier field sent in the message does not match its own MEPID, which would indicate a duplicate MEP or network loop. If these error types are not found, the CCM is stored in the MEP's local database until aged out.
- If a maintenance point fails to receive three consecutive CCMs from any other MEP in the same MA, a connectivity failure is registered.

- If a maintenance point receives a CCM with an invalid MEPID or MA level or an MA level lower than its own, a failure is registered which indicates a configuration error or cross-connect error (i.e., overlapping MAs).

Example

This example enables continuity check messages for the specified maintenance association.

```
Console(config)#ethernet cfm cc enable md voip ma rd
Console(config)#
```

snmp-server enable traps ethernet cfm cc This command enables SNMP traps for CFM continuity check events. Use the **no** form to disable these traps.

Syntax

[no] snmp-server enable traps ethernet cfm cc [config | loop | mep-down | mep-up]

config – Sends a trap if this device receives a CCM with the same MPID as its own but with a different source MAC address, indicating that a CFM configuration error exists.

loop – Sends a trap if this device receives a CCM with the same source MAC address and MPID as its own, indicating that a forwarding loop exists.

mep-down – Sends a trap if this device loses connectivity with a remote MEP, or connectivity has been restored to a remote MEP which has recovered from an error condition.

mep-up – Sends a trap if a remote MEP is discovered and added to the local database, the port state of a previously discovered remote MEP changes, or a CCM is received from a remote MEP which as an expired entry in the archived database.

Default Setting

All continuity checks are disabled.

Command Mode

Global Configuration

Command Usage

All mep-up traps are suppressed when cross-checking of MEPs is enabled because cross-check traps include more detailed status information.

Example

This example enables SNMP traps for mep-up events.

```
Console(config)#snmp-server enable traps ethernet cfm cc mep-up
Console(config)#
```

mep archive-hold-time This command sets the time that data from a missing MEP is retained in the continuity check message (CCM) database before being purged. Use the **no** form to restore the default setting.

Syntax

mep archive-hold-time *hold-time*

hold-time – The time to retain data for a missing MEP.
(Range: 1-65535 minutes)

Default Setting

100 minutes

Command Mode

CFM Domain Configuration

Command Usage

A change to the hold time only applies to entries stored in the database after this command is entered.

Example

This example sets the aging time for missing MEPs in the CCM database to 30 minutes.

```
Console(config)#ethernet cfm domain index 1 name voip level 3
Console(config-ether-cfm)#mep archive-hold-time 30
Console(config-ether-cfm)#
```

clear ethernet cfm maintenance-points remote This command clears the contents of the continuity check database.

Syntax

clear ethernet cfm maintenance-points remote [**domain** *domain-name* | **level** *level-id*]

domain-name – Domain name. (Range: 1-43 alphanumeric characters)

level-id – Maintenance level. (Range: 0-7)

Default Setting

None

Command Mode

Privileged Exec

Command Usage

Use this command without any keywords to clear all entries in the CCM database. Use the **domain** keyword to clear the CCM database for a specific domain, or the **level** keyword to clear it for a specific maintenance level.

Example

```
Console#clear ethernet cfm maintenance-points remote domain voip
Console#
```

clear ethernet cfm errors This command clears continuity check errors logged for the specified maintenance domain or maintenance level.

Syntax

```
clear ethernet cfm errors [domain domain-name | level level-id]
```

domain-name – Domain name. (Range: 1-43 alphanumeric characters)

level-id – Maintenance level. (Range: 0-7)

Default Setting

None

Command Mode

Privileged Exec

Command Usage

Use this command without any keywords to clear all entries in the error database. Use the **domain** keyword to clear the error database for a specific domain, or the **level** keyword to clear it for a specific maintenance level.

Example

```
Console#clear ethernet cfm errors domain voip
Console#
```

show ethernet cfm errors This command displays the CFM continuity check errors logged on this device.

Syntax

```
show ethernet cfm errors [domain domain-name | level level-id]
    domain-name – Domain name. (Range: 1-43 alphanumeric characters)
    level-id – Authorized maintenance level for this domain. (Range: 0-7)
```

Default Setting

None

Command Mode

Privileged Exec

Example

```
Console#show ethernet cfm errors
Level VLAN MPID Interface Remote MAC Reason MA Name
-----
5 2 40 Eth 1/1 ab.2f.9c.00.05.01 LEAK provider_1_2
Console#
```

Cross Check Operations

ethernet cfm mep crosscheck start-delay This command sets the maximum delay that a device waits for remote MEPs to come up before starting the cross-check operation. Use the **no** form to restore the default setting.

Syntax

```
ethernet cfm mep crosscheck start-delay delay
no ethernet cfm mep crosscheck start-delay
```

delay – The time a device waits for remote MEPs to come up before the cross-check is started. (Range: 1-65535 seconds)

Default Setting

10 seconds

Command Mode

Global Configuration

Command Usage

- This command sets the delay that a device waits for a remote MEP to come up, and it starts cross-checking the list of statically configure remote MEPs in the local maintenance domain against the MEPs learned through CCMs.

- The cross-check start delay should be configured to a value greater than or equal to the continuity check message interval to avoid generating unnecessary traps.

Example

This example sets the maximum delay before starting the cross-check process.

```
Console(config)#ethernet cfm mep crosscheck start-delay 60
Console(config)#
```

snmp-server enable traps ethernet cfm crosscheck

This command enables SNMP traps for CFM continuity check events, in relation to the cross-check operations between statically configured MEPs and those learned via continuity check messages (CCMs). Use the **no** form to restore/disable these traps.

Syntax

```
[no] snmp-server enable traps ethernet cfm crosscheck [ma-up | mep-missing | mep-unknown]
```

ma-up – Sends a trap when all remote MEPs in an MA come up.

mep-missing – Sends a trap if the cross-check timer expires and no CCMs have been received from a remote MEP configured in the static list.

mep-unknown – Sends a trap if an unconfigured MEP comes up.

Default Setting

All continuity checks are enabled.

Command Mode

Global Configuration

Command Usage

- For this trap type to function, cross-checking must be enabled on the required maintenance associations using the [ethernet cfm mep crosscheck](#) command.
- A mep-missing trap is sent if cross-checking is enabled (with the [ethernet cfm mep crosscheck](#) command), and no CCM is received for a remote MEP configured in the static list (with the [mep crosscheck mpid](#) command).
- A mep-unknown trap is sent if cross-checking is enabled, and a CCM is received from a remote MEP that is not configured in the static list.
- A ma-up trap is sent if cross-checking is enabled, and a CCM is received from all remote MEPs configured in the static list for this maintenance association.

Example

This example enables SNMP traps for mep-unknown events detected in cross-check operations.

```
Console(config)#snmp-server enable traps ethernet cfm crosscheck mep-unknown
Console(config)#
```

mep crosscheck mpid This command statically defines a remote MEP in a maintenance association. Use the **no** form to remove a remote MEP.

Syntax

[no] mep crosscheck mpid *mpid* **ma** *ma-name*

mpid – Identifier for a maintenance end point which exists on another CFM-enabled device within the same MA. (Range: 1-8191)

ma-name – Maintenance association name. (Range: 1-43 alphanumeric characters)

Default Setting

No remote MEPs are configured.

Command Mode

CFM Domain Configuration

Command Usage

- Use this command to statically configure remote MEPs that exist inside the maintenance association. These remote MEPs are used in the cross-check operation to verify that all endpoints in the specified MA are operational.
- Remote MEPs can only be configured with this command if domain service access points (DSAPs) have already been created with the [ethernet cfm mep](#) command at the same maintenance level and in the same MA. DSAPs are MEPs that exist on the edge of the domain, and act as primary service access points for end-to-end cross-check, loop-back, and link-trace functions.

Example

This example defines a static MEP for the specified maintenance association.

```
Console(config)#ethernet cfm domain index 1 name voip level 3
Console(config-ether-cfm)#ma index 1 name rd vlan 1
Console(config-ether-cfm)#mep crosscheck mpid 2 ma rd
Console(config-ether-cfm)#
```

ethernet cfm mep crosscheck This command enables cross-checking between the static list of MEPs assigned to other devices within the same maintenance association and the MEPs learned through continuity check messages (CCMs). Use the **disable** keyword to stop the cross-check process.

Syntax

```
ethernet cfm mep crosscheck {enable | disable} md domain-name
ma ma-name
```

enable – Starts the cross-check process.

disable – Stops the cross-check process.

domain-name – Domain name. (Range: 1-43 alphanumeric characters)

ma-name – MA name. (Range: 1-43 alphanumeric characters)

Default Setting

Enabled

Command Mode

Privileged Exec

Command Usage

- Before using this command to start the cross-check process, first configure the remote MEPs that exist on other devices inside the maintenance association using the [mep crosscheck mpid](#) command. These remote MEPs are used in the cross-check operation to verify that all endpoints in the specified MA are operational.
- The cross-check process is disabled by default, and must be manually started using this command with the **enable** keyword.

Example

This example enables cross-checking within the specified maintenance association.

```
Console#ethernet cfm mep crosscheck enable md voip ma rd
Console#
```

show ethernet cfm maintenance-points remote crosscheck This command displays information about remote MEPs statically configured in a cross-check list.

Syntax

```
show ethernet cfm maintenance-points remote crosscheck
[domain domain-name | mpid mpid]
```

domain-name – Domain name. (Range: 1-43 alphanumeric characters)

mpid – Maintenance end point identifier. (Range: 1-8191)

Default Setting

None

Command Mode

Privileged Exec

Example

This example shows all remote MEPs statically configured on this device.

```

Console#show ethernet cfm maintenance-points remote crosscheck
MPID  MA Name                Level  VLAN  MEP Up  Remote MAC
-----
  2    downtown                4      2    Yes    00-0D-54-FC-A2-73
Console#

```

Link Trace Operations

ethernet cfm linktrace cache This command enables caching of CFM data learned through link trace messages. Use the **no** form to disable caching.

Syntax

```
[no] ethernet cfm linktrace cache
```

Default Setting

Enabled

Command Mode

Global Configuration

Command Usage

- A link trace message is a multicast CFM frame initiated by a MEP, and forwarded from MIP to MIP, with each MIP generating a link trace reply, up to the point at which the link trace message reaches its destination or can no longer be forwarded.
- Use this command to enable the link trace cache to store the results of link trace operations initiated on this device. Use the [ethernet cfm linktrace](#) command to transmit a link trace message.
- Link trace responses are returned from each MIP along the path and from the target MEP. Information stored in the cache includes the maintenance domain name, MA name, MEPID, sequence number, and TTL value.

Example

This example enables link trace caching.

```
Console(config)#ethernet cfm linktrace cache
Console(config)#
```

ethernet cfm linktrace cache hold- time

This command sets the hold time for CFM link trace cache entries. Use the **no** form to restore the default setting.

Syntax

ethernet cfm linktrace cache hold-time *minutes*

no ethernet cfm linktrace cache hold-time

minutes – The aging time for entries stored in the link trace cache.
(Range: 1-65535 minutes)

Default Setting

100 minutes

Command Mode

Global Configuration

Command Usage

Before setting the aging time for cache entries, the cache must first be enabled with the [ethernet cfm linktrace cache](#) command.

Example

This example sets the aging time for entries in the link trace cache to 60 minutes.

```
Console(config)#ethernet cfm linktrace cache hold-time 60
Console(config)#
```

ethernet cfm linktrace cache size

This command sets the maximum size for the link trace cache. Use the **no** form to restore the default setting.

Syntax

ethernet cfm linktrace cache size *entries*

no ethernet cfm linktrace cache size

entries – The number of link trace responses stored in the link trace cache.
(Range: 1-4095 entries)

Default Setting

100 entries

Command Mode

Global Configuration

Command Usage

- Before setting the cache size, the cache must first be enabled with the `ethernet cfm linktrace cache` command.
- If the cache reaches the maximum number of specified entries, or the size is set to a value less than the current number of stored entries, no new entries are added. To add additional entries, the cache size must first be increased with this command, or purged with the `clear ethernet cfm linktrace-cache` command.

Example

This example limits the maximum size of the link trace cache to 500 entries.

```
Console(config)#ethernet cfm linktrace cache size 500
Console(config)#
```

ethernet cfm linktrace This command sends CFM link trace messages to the MAC address of a remote MEP.

Syntax

```
ethernet cfm linktrace {dest-mep destination-mpid | src-mep source-mpid
{dest-mep destination-mpid | mac-address} | mac-address} md domain-name
ma ma-name [ttl number | priority level]
```

destination-mpid – The identifier of a remote MEP that is the target of the link trace message. (Range: 1-8191)

source-mpid – The identifier of a source MEP that will send the link trace message. (Range: 1-8191)

mac-address – MAC address of a remote MEP that is the target of the link trace message. This address can be entered in either of the following formats: xx-xx-xx-xx-xx-xx or xxxxxxxxxxxx

domain-name – Domain name. (Range: 1-43 alphanumeric characters)

ma-name – Maintenance association name. (Range: 1-43 alphanumeric characters)

number – The time to live of the linktrace message. (Range: 0-255 hops)

level - The priority level for sending the link trace messages. (Range: 0-7, 7 highest)

Default Setting

None

Command Mode

Privileged Exec

Command Usage

- Link trace messages can be targeted to MEPs, not MIPs. Before sending a link trace message, be sure you have configured the target MEP for the specified MA.
- If the MAC address of target MEP has not been learned by any local MEP, then the linktrace may fail. Use the [show ethernet cfm maintenance-points remote crosscheck](#) command to verify that a MAC address has been learned for the target MEP.
- Link trace messages (LTMs) are sent as multicast CFM frames, and forwarded from MIP to MIP, with each MIP generating a link trace reply, up to the point at which the LTM reaches its destination or can no longer be forwarded.
- Link trace messages are used to isolate faults. However, this task can be difficult in an Ethernet environment, since each node is connected through multipoint links. Fault isolation is even more challenging since the MAC address of the target node can age out in several minutes. This can cause the traced path to vary over time, or connectivity lost if faults cause the target MEP to be isolated from other MEPs in an MA.
- When using the command line or web interface, the source MEP used by to send a link trace message is chosen by the CFM protocol. However, when using SNMP, the source MEP can be specified by the user.

Example

This example sends a link trace message to the specified MEP with a maximum hop count of 25.

```
Console#linktrace ethernet dest-mep 2 md voip ma rd ttl 25
Console#
```

clear ethernet cfm linktrace-cache This command clears link trace messages logged on this device.

Command Mode

Privileged Exec

Example

```
Console#clear ethernet cfm linktrace-cache
Console#
```

show ethernet cfm linktrace-cache This command displays the contents of the link trace cache.

Command Mode

Privileged Exec

Example

```

Console#show ethernet cfm linktrace-cache
Hops MA                IP / Alias                Ingress MAC                Ing. Action Relay
          Forwarded                Egress MAC                Egr. Action
-----
   2 rd                192.168.0.6                00-12-CF-12-12-2D ingOk                Hit
          Not Forwarded
Console#

```

Loopback Operations

ethernet cfm loopback This command sends CFM loopback messages to a MAC address for a MEP or MIP.

Syntax

```

ethernet cfm loopback {dest-mep destination-mpid | src-mep source-mpid
{dest-mep destination-mpid | mac-address} | mac-address} md domain-name
ma ma-name [count transmit-count] [pattern padding-value]
[priority priority-value] [size packet-size]

```

destination-mpid – The identifier of a MEP that is the target of the loopback message. (Range: 1-8191)

source-mpid – The identifier of a source MEP that will send the loopback message. (Range: 1-8191)

mac-address – MAC address of the remote maintenance point that is the target of the loopback message. This address can be entered in either of the following formats: xx-xx-xx-xx-xx-xx or xxxxxxxxxxxx

domain-name – Domain name. (Range: 1-43 alphanumeric characters)

ma-name – Maintenance association name. (Range: 1-43 alphanumeric characters)

transmit-count – The number of times the loopback message is sent. (Range: 1-1024)

padding-value – Padding characters used to fill the data TLV in a loopback message. (Range: Any hexadecimal characters; Default: 0x0)

priority-value – Priority assigned to the loopback message (Range: 0-7; Default: 7)

packet-size – The size of the loopback message. (Range: 64-1518 bytes)

Default Setting

Loop back count: One loopback message is sent.

Loop back size: 64 bytes

Command Mode

Privileged Exec

Command Usage

- Use this command to test the connectivity between maintenance points. If the continuity check database does not have an entry for the specified maintenance point, an error message will be displayed.
- The point from which the loopback message is transmitted (i.e., the DSAP) and the target maintenance point specified in this command must be within the same MA.
- Loop back messages can be used for fault verification and isolation after automatic detection of a fault or receipt of some other error report. Loopback messages can also be used to confirm the successful restoration or initiation of connectivity. The receiving maintenance point should respond to the loop back message with a loopback reply.
- When using the command line or web interface, the source MEP used by to send a loopback message is chosen by the CFM protocol. However, when using SNMP, the source MEP can be specified by the user.

Example

This example sends a loopback message to the specified remote MEP.

```

Console#ethernet cfm loopback dest-mep 2 md rd2 ma rd2
Type ESC to abort.
Source MA Name      : rd2
Destination Address : 00-00-09-98-00-00
Transmitted LBM    : 5
Received LBR In Time : 5
Console#

```

Fault Generator Operations

mep fault-notify alarm-time This command sets the time a defect must exist before a fault alarm is issued. Use the **no** form to restore the default setting.

Syntax

mep fault-notify alarm-time *alarm-time*

no fault-notify alarm-time

alarm-time – The time that one or more defects must be present before a fault alarm is generated. (Range: 3-10 seconds)

Default Setting

3 seconds

Command Mode

CFM Domain Configuration

Command Usage

A fault alarm is issued when the MEP fault notification generator state machine detects that a time period configured by this command has passed with one or more defects indicated, and fault alarms are enabled at or above the priority level set by the [mep fault-notify lowest-priority](#) command.

Example

This example set the delay time before generating a fault alarm.

```
Console(config)#ethernet cfm domain index 1 name voip level 3
Console(config-ether-cfm)#mep fault-notify alarm-time 10
Console(config-ether-cfm)#
```

mep fault-notify lowest-priority This command sets the lowest priority defect that is allowed to generate a fault alarm. Use the **no** form to restore the default setting.

Syntax

mep fault-notify lowest-priority *priority*

no fault-notify lowest-priority

priority – Lowest priority default allowed to generate a fault alarm.
(Range: 1-6)

Default Setting

Priority level 2

Command Mode

CFM Domain Configuration

Command Usage

- A fault alarm can generate an SNMP notification. It is issued when the MEP fault notification generator state machine detects that a configured time period (see the [mep fault-notify alarm-time](#) command) has passed with one or more defects indicated, and fault alarms are enabled at or above the priority level set by this command. The state machine transmits no further fault alarms until it is reset by the passage of a configured time period (see the [mep fault-notify reset-time](#) command) without a defect indication. The normal procedure upon receiving a fault alarm is to inspect the reporting MEP's managed objects using an appropriate SNMP software tool, diagnose the fault, correct it, re-examine

the MEP's managed objects to see whether the MEP fault notification generator state machine has been reset, and repeat those steps until the fault is resolved.

- Only the highest priority defect currently detected is reported in the fault alarm.
- Priority defects include the following items:

Table 114: Remote MEP Priority Levels

Priority Level	Level Name	Description
1	allDef	All defects.
2	macRemErrXcon	DefMACstatus, DefRemoteCCM, DefErrorCCM, or DefXconCCM.
3	remErrXcon	DefErrorCCM, DefXconCCM or DefRemoteCCM.
4	errXcon	DefErrorCCM or DefXconCCM.
5	xcon	DefXconCCM
6	noXcon	No defects DefXconCCM or lower are to be reported.

Table 115: MEP Defect Descriptions

Field	Description
DefMACstatus	Either some remote MEP is reporting its Interface Status TLV as not isUp, or all remote MEPs are reporting a Port Status TLV that contains some value other than psUp.
DefRemoteCCM	The MEP is not receiving valid CCMs from at least one of the remote MEPs.
DefErrorCCM	The MEP has received at least one invalid CCM whose CCM Interval has not yet timed out.
DefXconCCM	The MEP has received at least one CCM from either another MAID or a lower MD Level whose CCM Interval has not yet timed out.

Example

This example sets the lowest priority defect that will generate a fault alarm.

```
Console(config)#ethernet cfm domain index 1 name voip level 3
Console(config-ether-cfm)#mep fault-notify lowest-priority 1
Console(config-ether-cfm)#
```

mep fault-notify reset-time This command configures the time after a fault alarm has been issued, and no defect exists, before another fault alarm can be issued. Use the **no** form to restore the default setting.

Syntax

mep fault-notify reset-time *reset-time*

no fault-notify reset-time

reset-time – The time that must pass without any further defects indicated before another fault alarm can be generated. (Range: 3-10 seconds)

Default Setting

10 seconds

Command Mode

CFM Domain Configuration

Example

This example sets the reset time after which another fault alarm can be generated.

```
Console(config)#ethernet cfm domain index 1 name voip level 3
Console(config-ether-cfm)#mep fault-notify reset-time 7
Console(config-ether-cfm)#
```

show ethernet cfm fault-notify-generator This command displays configuration settings for the fault notification generator.

Syntax

show ethernet cfm fault-notify-generator mep *mpid*

mpid – Maintenance end point identifier. (Range: 1-8191)

Default Setting

None

Command Mode

Privileged Exec

Example

This example shows the fault notification settings configured for one MEP.

```
Console#show ethernet cfm fault-notify-generator mep 1
MD Name      MA Name      Highest Defect Lowest Alarm  Alarm Time Reset Time
-----
voip         rd           none          macRemErrXcon  3sec.    10sec.
Console#
```


Delay Measure Operations

ethernet cfm delay-measure two-way This command sends periodic delay-measure requests to a specified MEP within a maintenance association.

Syntax

```
ethernet cfm delay-measure two-way [src-mep source-mpid] {dest-mep
destination-mpid | mac-address} md domain-name ma ma-name
[count transmit-count] [interval interval] [size packet-size] [timeout timeout]
```

source-mpid – The identifier of a source MEP that will send the delay-measure message. (Range: 1-8191)

destination-mpid – The identifier of a remote MEP that is the target of the delay-measure message. (Range: 1-8191)

mac-address – MAC address of a remote MEP that is the target of the delay-measure message. This address can be entered in either of the following formats: xx-xx-xx-xx-xx-xx or xxxxxxxxxxxx

domain-name – Domain name. (Range: 1-43 alphanumeric characters)

ma-name – Maintenance association name. (Range: 1-43 alphanumeric characters)

count – The number of times to retry sending the message if no response is received before the specified timeout. (Range: 1-5)

interval – The transmission delay between delay-measure messages. (Range: 1-5 seconds)

packet-size – The size of the delay-measure message. (Range: 64-1518 bytes)

timeout – The timeout to wait for a response. (Range: 1-5 seconds)

Default Setting

Count: 5

Interval: 1 second

Size: 64 bytes

Timeout: 5 seconds

Command Mode

Privileged Exec

Command Usage

- Delay measurement can be used to measure frame delay and frame delay variation between MEPs.
- A local MEP must be configured for the same MA before you can use this command.

- If a MEP is enabled to generate frames with delay measurement (DM) information, it periodically sends DM frames to its peer MEP in the same MA., and expects to receive DM frames back from it.
- Frame delay measurement can be made only for two-way measurements, where the MEP transmits a frame with DM request information with the TxTimeStampf (Timestamp at the time of sending a frame with DM request information), and the receiving MEP responds with a frame with DM reply information with TxTimeStampf copied from the DM request information, RxTimeStampf (Timestamp at the time of receiving a frame with DM request information), and TxTimeStampb (Timestamp at the time of transmitting a frame with DM reply information):

$$\text{Frame Delay} = (\text{RxTimeStampb} - \text{TxTimeStampf}) - (\text{TxTimeStampb} - \text{RxTimeStampf})$$
- The MEP can also make two-way frame delay variation measurements based on its ability to calculate the difference between two subsequent two-way frame delay measurements.

Example

This example sends periodic delay-measure requests to a remote MEP.

```

Console#ethernet cfm delay-measure two-way dest-mep 1 md voip ma rd
Type ESC to abort.
Sending 5 Ethernet CFM delay measurement message, timeout is 5 sec.
Sequence  Delay Time (ms.)  Delay Variation (ms.)
-----  -
1          < 10                 0
2          < 10                 0
3          < 10                 0
4          40                40
5          < 10                 40
Success rate is 100% (5/5), delay time min/avg/max=0/8/40 ms.
Average frame delay variation is 16 ms.
Console#

```

OAM Commands

The switch provides OAM (Operation, Administration, and Maintenance) remote management tools required to monitor and maintain the links to subscriber CPEs (Customer Premise Equipment). This section describes functions including enabling OAM for selected ports, loop back testing, and displaying device information.

Table 116: OAM Commands

Command	Function	Mode
<code>efm oam</code>	Enables OAM services	IC
<code>efm oam critical-link-event</code>	Enables reporting of critical event or dying gasp	IC
<code>efm oam link-monitor frame</code>	Enables reporting of errored frame link events	IC
<code>efm oam link-monitor frame threshold</code>	Sets the threshold for errored frame link events	IC
<code>efm oam link-monitor frame window</code>	Sets the monitor period for errored frame link events	IC
<code>efm oam mode</code>	Sets the OAM operational mode to active or passive	IC
<code>clear efm oam counters</code>	Clears statistical counters for various OAMPDU message types	PE
<code>clear efm oam event-log</code>	Clears all entries from the OAM event log for the specified port	PE
<code>efm oam remote-loopback</code>	Initiates or terminates remote loopback test	PE
<code>efm oam remote-loopback test</code>	Performs remote loopback test, sending a specified number of packets	PE
<code>show efm oam counters interface</code>	Displays counters for various OAM PDU message types	NE,PE
<code>show efm oam event-log interface</code>	Displays OAM event log	NE,PE
<code>show efm oam remote-loopback interface</code>	Displays results of OAM remote loopback test	NE,PE
<code>show efm oam status interface</code>	Displays OAM configuration settings and event counters	NE,PE
<code>show efm oam status remote interface</code>	Displays information about attached OAM-enabled devices	NE,PE

efm oam This command enables OAM functions on the specified port. Use the **no** form to disable this function.

Syntax

```
[no] efm oam
```

Default Setting

Disabled

Command Mode

Interface Configuration

Command Usage

- If the remote device also supports OAM, both exchange Information OAMPDUs to establish an OAM link.
- Not all CPEs support OAM functions, and OAM is therefore disabled by default. If the CPE attached to a port supports OAM, then this functionality must first be enabled by the **efm oam** command to gain access to other remote configuration functions.

Example

```
Console(config)#interface ethernet 1/1
Console(config-if)#efm oam
Console(config-if)#
```

efm oam critical-link-event This command enables reporting of critical events. Use the **no** form to disable this function.

Syntax

```
[no] efm oam critical-link-event {critical-event}
```

critical-event - If a critical event occurs, the local OAM entity (this switch) indicates this to its peer by setting the appropriate flag in the next OAMPDU to be sent and stores this information in its OAM event log.

Default Setting

Enabled

Command Mode

Interface Configuration

Command Usage

Critical events are vendor-specific and may include various failures, such as abnormal voltage fluctuations, out-of-range temperature detected, fan failure, CRC error in flash memory, insufficient memory, or other hardware faults.

Example

```
Console(config)#interface ethernet 1/1
Console(config-if)#efm oam critical-link-event critical-event
Console(config-if)#
```

efm oam link-monitor frame This command enables reporting of errored frame link events. Use the **no** form to disable this function.

Syntax

[no] **efm oam link-monitor frame**

Default Setting

Enabled

Command Mode

Interface Configuration

Command Usage

- An errored frame is a frame in which one or more bits are errored.
- If this feature is enabled and an errored frame link event occurs, the local OAM entity (this switch) sends an Event Notification OAMPDU.

Example

```
Console(config)#interface ethernet 1/1
Console(config-if)#efm oam link-monitor frame
Console(config-if)#
```

efm oam link-monitor frame threshold This command sets the threshold for errored frame link events. Use the **no** form to restore the default setting.

Syntax

efm oam link-monitor frame threshold *count*

no efm oam link-monitor frame threshold

count - The threshold for errored frame link events. (Range: 1-65535)

Default Setting

1

Command Mode

Interface Configuration

Command Usage

If this feature is enabled, an event notification message is sent if the threshold is reached or exceeded within the period specified by the [efm oam link-monitor frame window](#) command. The Errored Frame Event TLV includes the number of errored frames detected during the specified period.

Example

```
Console(config)#interface ethernet 1/1
Console(config-if)#efm oam link-monitor frame threshold 5
Console(config-if)#
```

efm oam link-monitor frame window

This command sets the monitor period for errored frame link events. Use the **no** form to restore the default setting.

Syntax

efm oam link-monitor frame window *size*

no efm oam link-monitor frame window

size - The period of time in which to check the reporting threshold for errored frame link events. (Range: 10-65535 units of 10 milliseconds)

Default Setting

10 (units of 100 milliseconds) = 1 second

Command Mode

Interface Configuration

Command Usage

If this feature is enabled, an event notification message is sent if the threshold specified by the [efm oam link-monitor frame threshold](#) command is reached or exceeded within the period specified by this command. The Errored Frame Event TLV includes the number of errored frames detected during the specified period.

Example

This example set the window size to 5 seconds.

```
Console(config)#interface ethernet 1/1
Console(config-if)#efm oam link-monitor frame window 50
Console(config-if)#
```

efm oam mode This command sets the OAM mode on the specified port. Use the **no** form to restore the default setting.

Syntax

```
efm oam mode {active | passive}
```

```
no efm oam mode
```

active - All OAM functions are enabled.

passive - All OAM functions are enabled, except for OAM discovery, and sending loopback control OAMPDUs.

Default Setting

Active

Command Mode

Interface Configuration

Command Usage

When set to active mode, the selected interface will initiate the OAM discovery process. When in passive mode, it can only respond to discovery messages.

Example

```
Console(config)#interface ethernet 1/1
Console(config-if)#efm oam mode active
Console(config-if)#
```

clear efm oam counters This command clears statistical counters for various OAMPDU message types.

Syntax

```
clear efm oam counters [interface-list]
```

interface-list - *unit/port*

unit - Unit identifier.

port - Port number or list of ports. To enter a list, separate nonconsecutive port identifiers with a comma and no spaces; use a hyphen to designate a range of ports.

Command Mode

Privileged Exec

Example

```
Console#clear efm oam counters
Console#
```

clear efm oam event-log This command clears all entries from the OAM event log for the specified port.

Syntax

clear efm oam event-log [*interface-list*]

unit - Unit identifier.

port - Port number or list of ports. To enter a list, separate nonconsecutive port identifiers with a comma and no spaces; use a hyphen to designate a range of ports.

Command Mode

Privileged Exec

Example

```
Console#clear efm oam event-log
Console#
```

efm oam remote-loopback This command starts or stops OAM loopback test mode to the attached CPE.

Syntax

efm oam remote-loopback {**start** | **stop**} *interface*

start - Starts remote loopback test mode.

stop - Stops remote loopback test mode.

interface - *unit/port*

unit - Unit identifier.

port - Port number.

Default Setting

None

Command Mode

Privileged Exec

Command Usage

- OAM remote loop back can be used for fault localization and link performance testing. Statistics from both the local and remote DTE can be queried and compared at any time during loop back testing.
- Use the **efm oam remote-loopback start** command to start OAM remote loop back test mode on the specified port. Afterwards, use the **efm oam remote-loopback test** command to start sending test packets. Then use the **efm oam remote loopback stop** command to terminate testing (if test packets are still being sent) and to terminate loop back test mode.

- The port that you specify to run this test must be connected to a peer OAM device capable of entering into OAM remote loopback mode.
- During a remote loopback test, the remote OAM entity loops back every frame except for OAMPDUs and pause frames.
- During loopback testing, both the switch and remote device are permitted to send OAMPDUs to the peer device and to process any OAMPDUs received from the peer.

Example

```
Console#efm oam remote-loopback start 1/1
Loopback operation is processing, please wait.
Enter loopback mode succeeded.
Console#
```

efm oam remote-loopback test This command performs a remote loopback test, sending a specified number of packets.

Syntax

efm oam remote-loopback test *interface* [*number-of-packets* [*packet-size*]]

interface - unit/port

unit - Unit identifier.

port - Port number.

number-of-packets - Number of packets to send. (Range: 1-99999999)

packet-size - Size of packets to send. (Range: 64-1518 bytes)

Default Setting

Number of packets: 10,000

Packet size: 64 bytes

Command Mode

Privileged Exec

Command Usage

- You can use this command to perform an OAM remote loopback test on the specified port. The port that you specify to run this test must be connected to a peer OAM device capable of entering into OAM remote loopback mode.
- During a remote loopback test, the remote OAM entity loops back every frame except for OAMPDUs and pause frames.
- OAM remote loopback can be used for fault localization and link performance testing. Statistics from both the local and remote DTE can be queried and compared at any time during loopback testing.

- A summary of the test is displayed after it is finished.

Example

```

Console#efm oam remote-loopback test 1/2
Loopback test is processing, press ESC to suspend.
....
Port OAM loopback Tx OAM loopback Rx Loss Rate
-----
1/2          1990          1016    48.94 %
Console#

```

show efm oam counters interface This command displays counters for various OAM PDU message types.

Syntax

show efm oam counters interface [*interface-list*]

interface-list - unit/port

unit - Unit identifier.

port - Port number or list of ports. To enter a list, separate nonconsecutive port identifiers with a comma and no spaces; use a hyphen to designate a range of ports.

Command Mode

Normal Exec, Privileged Exec

Example

```

Console#show efm oam counters interface 1/1
Port OAMPDU Type          TX          RX
-----
1/1  Information            1121         1444
1/1  Event Notification      0             0
1/1  Loopback Control        1             0
1/1  Organization Specific  76            0
Console#

```

show efm oam event-log interface This command displays the OAM event log for the specified port(s) or for all ports that have logs.

show efm oam event-log interface [*interface-list*]

interface-list - unit/port

unit - Unit identifier.

port - Port number or list of ports. To enter a list, separate nonconsecutive port identifiers with a comma and no spaces; use a hyphen to designate a range of ports.

Command Mode

Normal Exec, Privileged Exec

Command Usage

- When a link event occurs, no matter whether the location is local or remote, this information is entered in the OAM event log.
- When the log system becomes full, older events are automatically deleted to make room for new entries.

Example

This command can show OAM link status changes for link partner as shown in this example.

```

Console#show efm oam event-log interface 1/1
OAM event log of Eth 1/1:
10:22:55 2013/09/13
"Unit 1, Port 1: Connection to remote device is up at Local"
10:22:44 2013/09/13
"Unit 1, Port 1: Connection to remote device is down at Local"
<--- When the link is down,this event will be written to OAM event-log
10:20:02 2013/09/13
"Unit 1, Port 1: Connection to remote device is up at Local"
<--- When the link is up,this event will be written to OAM event-log,
Console#clear efm oam event-log
<--- Use he "clear efm oam event-log" command to clear the event-log.
Console#show efm oam event-log interface 1/1
Console#

```

show efm oam remote-loopback interface

This command displays the results of an OAM remote loopback test.

Syntax

show efm oam remote-loopback interface [*interface-list*]

interface-list - unit/port

unit - Unit identifier.

port - Port number or list of ports. To enter a list, separate nonconsecutive port identifiers with a comma and no spaces; use a hyphen to designate a range of ports.

Command Mode

Normal Exec, Privileged Exec

Example

```

Console#show efm oam remote-loopback interface 1/1
Port OAM loopback Tx OAM loopback Rx Loss Rate
-----
1/1                2300                2250        0.01 %
Console#

```

show efm oam status interface This command displays OAM configuration settings and event counters.

Syntax

show efm oam status interface [*interface-list*] [**brief**]

interface - unit/port

unit - Unit identifier.

port - Port number or list of ports. To enter a list, separate nonconsecutive port identifiers with a comma and no spaces; use a hyphen to designate a range of ports.

brief - Displays a brief list of OAM configuration states.

Command Mode

Normal Exec, Privileged Exec

Example

```

Console#show efm oam status interface 1/1
OAM information of Eth 1/1:
Basic Information:
  Admin State           : Enabled
  Operation State      : Operational
  Mode                  : Active
  Remote Loopback      : Disabled
  Remote Loopback Status : No loopback
  Dying Gasp           : Enabled
  Critical Event        : Enabled
  Link Monitor (Errored Frame) : Enabled
Link Monitor:
  Errored Frame Window (100msec) : 10
  Errored Frame Threshold         : 1
Console#show efm oam status interface 1/1 brief
$ = local OAM in loopback
* = remote OAM in loopback

Port Admin   Mode   Remote   Critical Errored
  State      State Loopback Event   Frame
-----
1/1 Disabled Active Disabled Enabled Enabled
Console#

```

show efm oam status remote interface This command displays information about attached OAM-enabled devices.

Syntax

show efm oam status remote interface [*interface-list*]

interface-list - *unit/port*

unit - Unit identifier.

port - Port number or list of ports. To enter a list, separate nonconsecutive port identifiers with a comma and no spaces; use a hyphen to designate a range of ports.

Command Mode

Normal Exec, Privileged Exec

Example

```

Console#show efm oam status remote interface 1/1
Port MAC Address      OUI      Remote  Unidirectional Link  MIB Variable
                   Loopback Monitor Retrieval
-----
1/1  00-12-CF-6A-07-F6  000084  Enabled  Disabled      Enabled Disabled
Console#

```

31

Domain Name Service Commands

These commands are used to configure Domain Naming System (DNS) services. Entries can be manually configured in the DNS domain name to IP address mapping table, default domain names configured, or one or more name servers specified to use for domain name to address translation.

Note that domain name services will not be enabled until at least one name server is specified with the `ip name-server` command and domain lookup is enabled with the `ip domain-lookup` command.

The switch performs both as a DNS client and a DNS server/proxy in the following manner:

PC (DNS Client) <-----> Switch (DNS client¹, server/proxy²) <-----> Server (another server/proxy)

- ¹ For the case that the switch performs as a DNS client and an incomplete host name is received, it will work through the domain list, appending each domain name in the list to the host name, and checking with the specified name servers for a match.
- ² Otherwise, the switch acts as a DNS server/proxy when an outside host (namely, a DNS client) intends to get an IP address for a host name through the switch. In this case, it will not add the domain suffix to query name servers). That means that the DNS client is responsible for adding the domain suffix.

Table 117: Address Table Commands

Command	Function	Mode
DNS		
<code>ip domain-list</code>	Defines a list of default domain names for incomplete host names	GC
<code>ip domain-lookup</code>	Enables DNS-based host name-to-address translation	GC
<code>ip domain-name</code>	Defines a default domain name for incomplete host names	GC
<code>ip host</code>	Creates a static IPv4 host name-to-address mapping	GC
<code>ip name-server</code>	Specifies the address of one or more name servers to use for host name-to-address translation	GC
<code>ipv6 host</code>	Creates a static IPv6 host name-to-address mapping	GC
<code>clear dns cache</code>	Clears all entries from the DNS cache	PE
<code>show dns</code>	Displays the configuration for DNS services	PE
<code>show dns cache</code>	Displays entries in the DNS cache	PE
<code>show hosts</code>	Displays the static host name-to-address mapping table	PE

DNS Commands

ip domain-list This command defines a list of domain names that can be appended to incomplete host names (i.e., host names passed from a client that are not formatted with dotted notation). Use the **no** form to remove a name from this list.

Syntax

[no] ip domain-list *name*

name - Name of the host. Do not include the initial dot that separates the host name from the domain name. (Range: 1-127 characters)

Default Setting

None

Command Mode

Global Configuration

Command Usage

- Domain names are added to the end of the list one at a time.
- When an incomplete host name is received by the DNS service on this switch, it will work through the domain list, appending each domain name in the list to the host name, and checking with the specified name servers for a match.
- If there is no domain list, the domain name specified with the [ip domain-name](#) command is used. If there is a domain list, the default domain name is not used.

Example

This example adds two domain names to the current list and then displays the list.

```
Console(config)#ip domain-list sample.com.jp
Console(config)#ip domain-list sample.com.uk
Console(config)#end
Console#show dns
Domain Lookup Status:
  DNS Disabled
Default Domain Name:
  sample.com
Domain Name List:
  sample.com.jp
  sample.com.uk
Name Server List:
Console#
```

ip domain-lookup This command enables DNS host name-to-address translation. Use the **no** form to disable DNS.

Syntax

```
[no] ip domain-lookup
```

Default Setting

Disabled

Command Mode

Global Configuration

Command Usage

- At least one name server must be specified before DNS can be enabled.
- If one or more name servers are configured, but DNS is not yet enabled and the switch receives a DHCP packet containing a DNS field with a list of DNS servers, then the switch will automatically enable DNS host name-to-address translation.
- If all name servers are deleted, DNS will automatically be disabled.

Example

This example enables DNS and then displays the configuration.

```
Console(config)#ip domain-lookup
Console(config)#end
Console#show dns
Domain Lookup Status:
    DNS Enabled
Default Domain Name:
    sample.com
Domain Name List:
    sample.com.jp
    sample.com.uk
Name Server List:
    192.168.1.55
    10.1.0.55
Console#
```

ip domain-name This command defines the default domain name appended to incomplete host names (i.e., host names passed from a client that are not formatted with dotted notation). Use the **no** form to remove the current domain name.

Syntax

```
ip domain-name name
no ip domain-name
```


name - Name of the host. Do not include the initial dot that separates the host name from the domain name. (Range: 1-127 characters)

Default Setting

None

Command Mode

Global Configuration

Example

```
Console(config)#ip domain-name sample.com
Console(config)#end
Console#show dns
Domain Lookup Status:
  DNS Disabled
Default Domain Name:
  sample.com
Domain Name List:
Name Server List:
Console#
```

ip host This command creates a static entry in the DNS table that maps a host name to an IPv4 address. Use the **no** form to remove an entry.

Syntax

[no] ip host *name* *address*

name - Name of an IPv4 host. (Range: 1-127 characters)

address - Corresponding IPv4 address.

Default Setting

No static entries

Command Mode

Global Configuration

Command Usage

Use the **no ip host** command to clear static entries.

Example

This example maps an IPv4 address to a host name.

```
Console(config)#ip host rd5 192.168.1.55
Console(config)#end
Console#show hosts
No.  Flag Type      IP Address          TTL   Domain
-----
```

```
0      2 Address 192.168.1.55          rd5
Console#
```

ip name-server This command specifies the address of one or more domain name servers to use for name-to-address resolution. Use the **no** form to remove a name server from this list.

Syntax

```
[no] ip name-server server-address1 [server-address2 ...
server-address6]
```

server-address1 - IPv4 or IPv6 address of domain-name server.

server-address2 ... server-address6 - IPv4 or IPv6 address of additional domain-name servers.

Default Setting

None

Command Mode

Global Configuration

Command Usage

The listed name servers are queried in the specified sequence until a response is received, or the end of the list is reached with no response.

Example

This example adds two domain-name servers to the list and then displays the list.

```
Console(config)#ip name-server 192.168.1.55 10.1.0.55
Console(config)#end
Console#show dns
Domain Lookup Status:
  DNS disabled
Default Domain Name:
  sample.com
Domain Name List:
  sample.com.jp
  sample.com.uk
Name Server List:
  192.168.1.55
  10.1.0.55
Console#
```

ipv6 host This command creates a static entry in the DNS table that maps a host name to an IPv6 address. Use the **no** form to remove an entry.

Syntax

[no] ipv6 host name ipv6-address

name - Name of an IPv6 host. (Range: 1-127 characters)

ipv6-address - Corresponding IPv6 address. This address must be entered according to RFC 2373 "IPv6 Addressing Architecture," using 8 colon-separated 16-bit hexadecimal values. One double colon may be used in the address to indicate the appropriate number of zeros required to fill the undefined fields.

Default Setting

No static entries

Command Mode

Global Configuration

Example

This example maps an IPv6 address to a host name.

```

Console(config)#ipv6 host rd6 2001:0db8:1::12
Console(config)#end
Console#show hosts
No.  Flag Type      IP Address          TTL  Domain
-----
0    2 Address 192.168.1.55
1    2 Address 2001:DB8:1::12    rd6
Console#

```

clear dns cache This command clears all entries in the DNS cache.

Command Mode

Privileged Exec

Example

```

Console#clear dns cache
Console#show dns cache
No.  Flag Type      IP Address          TTL  Host
-----
Console#

```

show dns This command displays the configuration of the DNS service.

Command Mode

Privileged Exec

Example

```
Console#show dns
Domain Lookup Status:
  DNS enabled
Default Domain Name:
  sample.com
Domain Name List:
  sample.com.jp
  sample.com.uk
Name Server List:
  192.168.1.55
  10.1.0.55
Console#
```

show dns cache This command displays entries in the DNS cache.

Command Mode

Privileged Exec

Example

```
Console#show dns cache
No.    Flag  Type      IP Address      TTL      Host
-----
0      4 Host    52.196.118.60   3501     www.accton.com
1      4 Host    166.62.56.229   21540    www.edge-core.com
2      4 Host    35.201.87.174   1787     ignitenet.com
3      4 CNAME   POINTER TO:2    1787     www.ignitenet.com
Console#
```

show hosts This command displays the static host name-to-address mapping table.

Command Mode

Privileged Exec

Example

Note that a host name will be displayed as an alias if it is mapped to the same address(es) as a previously configured entry.

```
Console#show hosts
No.  Flag Type      IP Address      TTL      Host
-----
0    2 Address 192.168.2.1      rdrouter
1    4 Address 52.196.118.60    3341     www.accton.com
2    4 Address 166.62.56.229    21381    www.edge-core.com
```

```
3      4 Address 35.201.87.174          1627 ignitenet.com
4      4 CNAME  POINTER TO:3         1628 www.ignitenet.com
Console#
```

32

DHCP Commands

These commands are used to configure Dynamic Host Configuration Protocol (DHCP) client and relay functions. Any VLAN interface can be configured to automatically obtain an IPv4 address through DHCP. This switch can also be configured to relay DHCP client configuration requests to a DHCP server on another network.

Table 118: DHCP Commands

Command Group	Function
DHCP Client	Allows interfaces to dynamically acquire IP address information
DHCP Relay	Relays DHCP requests from local hosts to a remote DHCP server
DHCP Server	Configures DHCP service using address pools or static bindings

DHCP Client

Use the commands in this section to allow the switch's VLAN interfaces to dynamically acquire IP address information.

Table 119: DHCP Client Commands

Command	Function	Mode
<i>DHCP for IPv4</i>		
<code>ip dhcp dynamic-provision</code>	Enables dynamic provision via DHCP	GC
<code>ip dhcp client class-id</code>	Specifies the DHCP client identifier for an interface	IC
<code>ip dhcp restart client</code>	Submits a BOOTP or DHCP client request	PE
<code>show ip dhcp dynamic-provision</code>	Shows the status of dynamic provision via DHCP	PE
<i>DHCP for IPv6</i>		
<code>ipv6 dhcp client rapid-commit vlan</code>	Specifies the Rapid Commit option for DHCPv6 message exchange	GC
<code>ipv6 dhcp restart client vlan</code>	Submits a DHCPv6 client request	PE
<code>show ipv6 dhcp duid</code>	Shows the DHCP Unique Identifier for this switch	PE
<code>show ipv6 dhcp vlan</code>	Shows DHCPv6 information for specified interface	PE

DHCP for IPv4

ip dhcp dynamic-provision This command enables dynamic provisioning via DHCP. Use the **no** form to disable this feature.

Syntax

```
[no] ip dhcp dynamic-provision
```

Default Setting

Disabled

Command Mode

Global Configuration

Command Usage

DHCPD is the daemon used by Linux to dynamically configure TCP/IP information for client systems. To support DHCP option 66/67, you have to add corresponding statements to the configuration file of DHCPD.

The following are some alternative commands which can be added to the DHCPD to complete the dynamic provisioning process.

By default, the parameters for DHCP option 66/67 are not carried by the reply sent from the DHCP server. To ask for a DHCP reply with option 66/67, the client can inform the server that it is interested in option 66/67 by sending a DHCP request that includes a 'parameter request list' option. Besides this, the client can also send a DHCP request that includes a 'vendor class identifier' option to the server so that the DHCP server can identify the device, and determine what information should be given to requesting device.

The following are two additional sample configurations of the dhcpd.conf file for the server version dhcp-3.0.4rc1, you can choose either one of them.

1. Define the conditions in subnet section:

```
shared-network Sample1 {
    subnet 192.168.1.0 netmask 255.255.255.0 {
        # option 55
        option dhcp-parameter-request-list 1,66,67;
        # option 66
        option tftp-server-name "192.168.1.1";
        # option 67
        option bootfile-name "dhcp_config.cfg ";
    }
}
```

2. Define the conditions in class section:

```
class "OPT66_67" { # for option 66/67
    # option 124
    match if option vendor-class-identifier = "Edgecore";
```

```
# option 55
  option dhcp-parameter-request-list 1,66,67;
# option 66
  option tftp-server-name "192.168.1.1";
# option 67
  option bootfile-name "dhcp_config.cfg";
}

shared-network Sample2 {
subnet 192.168.1.0 netmask 255.255.255.0 {
  }
  pool {
    allow members of "OPT66_67";
    range 192.168.1.10 192.168.1.20;
  }
}
```

Example

In the following example enables dhcp dynamic provisioning.

```
Console(config)#ip dhcp dynamic provisioning
Console(config)#
```

ip dhcp client class-id This command specifies the DHCP client vendor class identifier for the current interface. Use the **no** form to remove the class identifier from the DHCP packet.

Syntax

ip dhcp client class-id [*text text* | *hex hex*]

no ip dhcp client class-id

text - A text string. (Range: 1-32 characters)

hex - A hexadecimal value. (Range: 1-64 characters)

Default Setting

Class identifier option enabled, using the model number as the string

Command Mode

Interface Configuration (VLAN)

Command Usage

- Use this command without any keyword to restore the default setting.
- This command is used to identify the vendor class and configuration of the switch to the DHCP server, which then uses this information to decide on how to service the client or the type of information to return.

- The general framework for this DHCP option is set out in RFC 2132 (Option 60). This information is used to convey configuration settings or other identification information about a client, but the specific string to use should be supplied by your service provider or network administrator. Options 60, 66 and 67 statements can be added to the server daemon’s configuration file.

Table 120: Options 60, 66 and 67 Statements

Option	Statement	
	Keyword	Parameter
60	vendor-class-identifier	a string indicating the vendor class identifier
66	tftp-server-name	a string indicating the tftp server name
67	bootfile-name	a string indicating the bootfile name

- By default, DHCP option 66/67 parameters are not carried in a DHCP server reply. To ask for a DHCP reply with option 66/67 information, the DHCP client request sent by this switch includes a “parameter request list” asking for this information. Besides, the client request also includes a “vendor class identifier” set by the **ip dhcp client class-id** command that allows the DHCP server to identify the device, and select the appropriate configuration file for download. This information is included in Option 55 and 124.

Table 121: Options 55 and 124 Statements

Option	Statement	
	Keyword	Parameter
55	dhcp-parameter-request-list	a list of parameters, separated by ','
124	vendor-class-identifier	a string indicating the vendor class identifier

- The server should reply with Option 66 attributes, including the TFTP server name and boot file name.
- Note that the vendor class identifier can be formatted in either text or hexadecimal using the **ip dhcp client class-id** command, but the format used by both the client and server must be the same.

Example

```
Console(config)#interface vlan 2
Console(config-if)#ip dhcp client class-id hex 0000e8666572
Console(config-if)#
```

ip dhcp restart client This command submits a BOOTP or DHCP client request.

Default Setting

None

Command Mode

Privileged Exec

Command Usage

- This command issues a BOOTP or DHCP client request for any IP interface that has been set to BOOTP or DHCP mode through the [ip address](#) command.
- DHCP requires the server to reassign the client's last address if available.
- If the BOOTP or DHCP server has been moved to a different domain, the network portion of the address provided to the client will be based on this new domain.

Example

In the following example, the device is reassigned the same address.

```
Console(config)#interface vlan 1
Console(config-if)#ip address dhcp
Console(config-if)#exit
Console#ip dhcp restart client
Console#show ip interface
VLAN 1 is Administrative Up - Link Up
  Address is E0-01-A6-6E-9A-14
  Index: 1001, MTU: 1500
  Address Mode is Initial
  IP Address: 192.168.2.10 Mask: 255.255.255.0
  Proxy ARP is disabled
  DHCP Client Vendor Class ID (text): ECS4125-10P
  DHCP Relay Server:
Console#
```

show ip dhcp dynamic-provision This command shows the status of dynamic provision via DHCP.

Command Mode

Privileged Exec

Example

```
Console#show ip dhcp dynamic provisioning
Dynamic Provision via DHCP Status:  Disabled
Console#
```

DHCP for IPv6

ipv6 dhcp client rapid-commit vlan This command specifies the Rapid Commit option for DHCPv6 message exchange for all DHCPv6 client requests submitted from the specified interface. Use the **no** form to disable this option.

Syntax

```
[no] ipv6 dhcp client rapid-commit vlan vlan-list
```

vlan-list - VLAN ID, specified as a single number, a range of consecutive numbers separated by a hyphen, or multiple numbers separated by commas. (Range: 1-4094; Maximum command length: 300 characters)

Default Setting

Disabled

Command Mode

Global Configuration

Command Usage

- DHCPv6 clients can obtain configuration parameters from a server through a normal four-message exchange (solicit, advertise, request, reply), or through a rapid two-message exchange (solicit, reply). The rapid-commit option must be enabled on both client and server for the two-message exchange to be used.
- This command allows two-message exchange method for prefix delegation. When enabled, DHCPv6 client requests submitted from the specified interface will include the rapid commit option in all solicit messages.
- If the rapid commit option has been enabled on the switch with this command, and on the DHCPv6 server, message exchange can be reduced from the normal four step process to a two-step exchange of only solicit and reply messages.

Example

```
Console(config)#ipv6 dhcp client rapid-commit vlan 2  
Console(config)#
```

ipv6 dhcp restart client vlan This command submits a DHCPv6 client request.

Syntax

```
ipv6 dhcp restart client vlan vlan-id
```

vlan-id - VLAN ID, specified as a single number, a range of consecutive numbers separated by a hyphen, or multiple numbers separated by commas. (Range: 1-4094; Maximum command length: 300 characters)

Default Setting

None

Command Mode

Privileged Exec

Command Usage

- This command starts the DHCPv6 client process if it is not yet running by submitting requests for configuration information through the specified interface(s). When DHCPv6 is restarted, the switch may attempt to acquire an IP address prefix through stateful address auto-configuration. If the router advertisements have the “other stateful configuration” flag set, the switch may also attempt to acquire other non-address configuration information (such as a default gateway or DNS server) when DHCPv6 is restarted.

Prior to submitting a client request to a DHCPv6 server, the switch should be configured with a link-local address using the [ipv6 address autoconfig](#) command. The state of the Managed Address Configuration flag (M flag) and Other Stateful Configuration flag (O flag) received in Router Advertisement messages will determine the information this switch should attempt to acquire from the DHCPv6 server as described below.

- Both M and O flags are set to 1:
DHCPv6 is used for both address and other configuration settings.
This combination is known as DHCPv6 stateful, in which a DHCPv6 server assigns stateful addresses to IPv6 hosts.
- The M flag is set to 0, and the O flag is set to 1:
DHCPv6 is used only for other configuration settings.
Neighboring routers are configured to advertise non-link-local address prefixes from which IPv6 hosts derive stateless addresses.
This combination is known as DHCPv6 stateless, in which a DHCPv6 server does not assign stateful addresses to IPv6 hosts, but does assign stateless configuration settings.
- DHCPv6 clients build a list of servers by sending a solicit message and collecting advertised message replies. These servers are then ranked based on their advertised preference value. If the client needs to acquire prefixes from servers, only servers that have advertised prefixes are considered.
- If the rapid commit option has been enabled on the switch using the [ipv6 dhcp client rapid-commit vlan](#) command, and on the DHCPv6 server, message exchange can be reduced from the normal four step process to a two-step exchange of only solicit and reply messages.

Example

The following command submits a client request on VLAN 1.

```
Console#ipv6 dhcp restart client vlan 1
Console#
```

show ipv6 dhcp duid This command shows the DHCP Unique Identifier for this switch.

Command Mode

Privileged Exec

Command Usage

DHCPv6 clients and servers are identified by a DHCP Unique Identifier (DUID) included in the client identifier and server identifier options. Static or dynamic address prefixes may be assigned by a DHCPv6 server based on the client's DUID.

Example

```
Console#show ipv6 dhcp duid
DHCPv6 Unique Identifier (DUID): 0001-0001-4A8158B4-00E00C0000FD
Console#
```

show ipv6 dhcp vlan This command shows DHCPv6 information for the specified interface(s).

Syntax

show ipv6 dhcp vlan *vlan-list*

vlan-list - VLAN ID, specified as a single number, a range of consecutive numbers separated by a hyphen, or multiple numbers separated by commas. (Range: 1-4094; Maximum command length: 300 characters)

Command Mode

Privileged Exec

Command Usage

Each allocation in the DHCPv6 server is identified by a DUID and an IAID. IAID means Interface Association Identifier, and is a binding between the interface and one or more IP addresses.

Example

```
Console#show ipv6 dhcp vlan 1
VLAN 1 is in DHCP client mode, Rapid-Commit
IAID:                               C0000F0
List of known servers:
Server address : FE80::250:FCFF:FEF9:A494
DUID           : 0001-0001-48CFB0D5-F48F2A006801
```

```
Server address : FE80::250:FCFF:FEF9:A405
DUID           : 0001-0001-38CF5AB0-F48F2A003917
Console#
```

DHCP Relay

This section describes commands used to configure the switch to relay DHCP requests from local hosts to a remote DHCP server.

Table 122: DHCP Relay Commands

Command	Function	Mode
<i>Global DHCP Relay settings</i>		
<code>ip dhcp relay server</code>	Specifies DHCP server or relay server addresses	IC
<code>ip dhcp restart relay</code>	Enables DHCP relay agent	PE
<code>show ip dhcp relay</code>	Show the switch's global DHCP Relay setting - L2 or L3	PE
<i>L3 DHCP Relay option settings</i>		
<code>ip dhcp relay information option</code>	Enables information 82 option to be inserted into the client requests when utilizing L3 DHCP relay.	GC
<code>ip dhcp relay information option encode no-subtype</code>	Disables the sub-type and sub-length sub-options of the information 82 option.	GC
<code>ip dhcp relay information option remote-id</code>	Sets the Remote ID sub-option	GC
<code>ip dhcp relay information policy</code>	Sets the information 82 forwarding policy for DHCP Relay.	GC
<i>DHCP for IPv6</i>		
<code>ipv6 dhcp relay destination</code>	Specifies a DHCPv6 server or VLAN to which client requests are forwarded and enables DHCPv6 relay service	IC
<code>show ipv6 dhcp relay destination</code>	Displays a DHCPv6 server or VLAN to which client requests are forwarded	PE

Global DHCP Relay Settings

ip dhcp relay server This command specifies the DHCP server or relay server addresses to use. Use the **no** form to clear all addresses.

Syntax

```
ip dhcp relay server address1 [address2 [address3 ...]]
```

```
no ip dhcp relay server
```

address - IP address of DHCP server. (Range: 1-5 addresses)

Default Setting

None

Command Mode

Interface Configuration (VLAN)

Usage Guidelines

- DHCP relay service applies to DHCP client requests received on the specified VLAN.
- This command is used to configure DHCP relay for host devices attached to the switch. If DHCP relay service is enabled, and this switch sees a DHCP client request, it inserts its own IP address into the request so that the DHCP server will know the subnet where the client is located. Then, the switch forwards the packet to a DHCP server on another network. When the server receives the DHCP request, it allocates a free IP address for the DHCP client from its defined scope for the DHCP client's subnet, and sends a DHCP response back to the DHCP relay agent (i.e., this switch). This switch then passes the DHCP response received from the server to the client.
- You must specify the IP address for at least one active DHCP server. Otherwise, the switch's DHCP relay agent will not be able to forward client requests to a DHCP server. Up to five DHCP servers can be specified in order of preference.

If any of the specified DHCP server addresses are not located in the same network segment with this switch, use the [ip default-gateway](#) or [ipv6 default-gateway](#) command to specify the default router through which this switch can reach other IP subnetworks.
- To start DHCP relay service, enter the [ip dhcp restart relay](#) command.

Example

```
Console(config)#interface vlan 1
Console(config-if)#ip dhcp relay server 192.168.10.19
Console(config-if)#
```

ip dhcp restart relay This command enables DHCP relay for the switch. Use the **no** form to disable it.

Syntax

```
ip dhcp restart relay
```

Default Setting

Disabled

Command Mode

Privileged Exec

Command Usage

This command is used to configure DHCP relay functions for host devices attached to the switch. If DHCP relay service is enabled, and this switch sees a DHCP request broadcast, it inserts its own IP address into the request so the DHCP server will know the subnet where the client is located. Then, the switch forwards the packet to the DHCP server on another network. When the server receives the DHCP request, it allocates a free IP address for the DHCP client from its defined scope for the DHCP client's subnet, and sends a DHCP response back to the DHCP relay agent (i.e., this switch). This switch then broadcasts the DHCP response received from the server to the client.

Example

In the following example, the device is reassigned the same address.

```
Console#ip dhcp restart relay
Console#show ip interface
VLAN 1 is Administrative Up - Link Up
  Address is CC-37-AB-BC-4F-FA
  Index: 1001, MTU: 1500
  Address Mode is User specified
  IP Address: 192.168.2.98 Mask: 255.255.255.0
  Proxy ARP is disabled
  DHCP Client Vendor Class ID (text): ECS4650-54P
  DHCP Inform is disabled
  DHCP Relay Server: 192.168.2.1
Console#
```

show ip dhcp relay This command displays the operational mode and parameters of the DHCP relay server.

Syntax

```
show ip dhcp relay
```

Command Mode

Privileged Exec

Example

```
Console#show ip dhcp relay
Status of DHCP relay information:
Insertion of relay information: disabled.
DHCP option policy: drop.
DHCP sub-option format: extra subtype included
DHCP remote id sub-option: mac address (hex encoded)
Console#
```


L2 DHCP Relay Option Settings

ip dhcp relay information option Enables the option 82 information to be relayed when the switch is set as an L2 DHCP Relay agent. Use the **no** form of the command to disable relaying option 82 information (RFC3046).

Syntax

```
ip dhcp relay information option
no ip dhcp relay information option
```

Default Setting

Disabled

Command Mode

Global Configuration

Usage Guidelines

This command enables the insertion of relay Option 82 information in DHCP request packets.

Example

```
Console(config)#ip dhcp relay information option
Console(config)#
```

ip dhcp relay information option encode no-subtype Use this command to disable the Option 82 packets including sub-type and sub-length in both CID and RID. Use the **no** form of the command to enable including the sub-type and sub-length in both CID and RID.

Syntax

```
ip dhcp relay information option encode no-subtype
no ip dhcp relay information option encode no-subtype
```

Default Setting

Sub-type and sub-length information is included.

Command Mode

Global Configuration

Usage Guidelines

Use this command when the Type and Length fields do not need to be relayed as part of the CID and RID in the Option 82 packets.

Example

```
Console(config)#ip dhcp relay information option encode no-subtype
Console(config)#
```

ip dhcp relay information option remote-id

This command sets the remote ID to the switch's IP address, MAC address, arbitrary or string. Use the **no** form to restore the default setting.

Syntax

```
ip dhcp relay information option remote-id
{ip-address [encode {ascii | hex}] |
mac-address [encode {ascii | hex}] |
string string }
```

```
no ip dhcp relay information option remote-id
[ip-address encode] | [mac-address encode]
```

ip-address - Inserts an IP address in the remote ID sub-option for the DHCP relay (that is, the IP address of the management interface).

mac-address - Inserts a MAC address in the remote ID sub-option for the DHCP relay (that is, the MAC address of the switch's CPU).

encode - Indicates encoding in ASCII or hexadecimal.

string - An arbitrary string inserted into the remote identifier field.
(Range: 1-255 characters)

Default Setting

MAC address: hexadecimal

Command Mode

Global Configuration

Example

This example sets the remote ID to the switch's IP address.

```
Console(config)#ip dhcp relay information option remote-id ip-address
Console(config)#
```

ip dhcp relay information policy

This command sets the Information 82 forwarding policy of the switch's DHCP Relay service. Use the **no** form of the command to set the policy to the default setting.

Syntax

```
ip dhcp relay information policy {drop | keep | replace}
no ip dhcp relay information policy
```

drop - Do not relay the DHCP request packet.

keep - Retain the original CID and RID in the Option 82 information of the DHCP request.

replace - Replace the CID and RID of the Option 82 information with the relay agent switch address information.

Default Setting

drop

Command Mode

Global Configuration

Usage Guidelines

- If set to **drop**, the original DHCP request packet flooded to the receiving VLAN is received but not relayed to the DHCP server.
- When the **replace** policy is set, the DHCP request packet's option 82 content (RID and CID sub-option) is replaced with the relay agent switch's address information. The agent then unicasts the modified DHCP Request packet to the DHCP server.
- When set to the **keep** option the DHCP request packet's option 82 content is unmodified. However the switch address information of the relay agent is additionally added into the DHCP request packet. The agent finally unicasts the modified DHCP Request packet including the original RID and CID to the DHCP server.

Example

```
Console(config)#ip dhcp relay information policy keep
Console(config)#
```

DHCP Relay for IPv6

ipv6 dhcp relay destination This command specifies a DHCPv6 server or the VLAN to which client requests are forwarded, and also enables DHCPv6 relay service on this interface. Use the **no** form to disable this service.

Syntax

ipv6 dhcp relay destination {*ipv6-address* | **multicast** {**all** | **vlan** *vlan-id*}}

no ipv6 dhcp relay destination [*ipv6-address* | **multicast** {**all** | **vlan** *vlan-id*}]

ipv6-address - A full IPv6 address including the network prefix and host address bits. This address may designate another relay server or a DHCPv6 server.

multicast - All DHCP server multicast address (FF:05::1:3).

all - Specifies all local VLAN interfaces.

vlan-id - ID of configured VLAN. (Range: 1-4094)

Default Setting

None

Command Mode

Interface Configuration (VLAN)

Usage Guidelines

- You must specify the IPv6 address for at least one DHCPv6 server or another relay agent, or the VLAN to which to multicast a relay message. Otherwise, the switch's DHCPv6 relay agent will not forward client requests. This command enables DHCPv6 relay service for the VLAN from which the command is entered.
- Up to five relay destinations may be configured by repeating this command.
- This command is used to configure DHCPv6 relay functions for host devices attached to the switch. If DHCPv6 relay service is enabled (by entering this command), and this switch sees a DHCPv6 request broadcast, it inserts its own IP address into the request so the DHCPv6 server will know the subnet where the client is located. Then, the switch forwards the packet to the next relay agent or DHCPv6 server on another network. When the server receives the DHCPv6 request, it allocates a free IP address for the DHCPv6 client from its defined scope for the DHCPv6 client's subnet, and sends a DHCPv6 response back to the DHCPv6 relay agent (i.e., this switch). This switch then broadcasts the DHCPv6 response received from the server to the client.
- When the multicast option is used, the switch multicasts the modified client request to all configured VLANs or to a specified VLAN, and enables DHCPv6 relay service for those VLANs.
- When issuing the **no ipv6 dhcp relay destination** command without any arguments, the switch will delete all configured destination addresses and disable DHCP for IPv6 relay for all VLANs.

Example

```
Console(config)#interface vlan 1
Console(config-if)#ipv6 dhcp relay destination 2001:0DB8:3000:3000::42
Console(config-if)#
```

show ipv6 dhcp relay destination This command shows the destination addresses or VLAN to which client messages are forwarded for DHCP relay service.

Syntax

show ipv6 dhcp relay destination interface [vlan *vlan-id*]

vlan-id - VLAN ID (Range: 1-4094)

Command Mode

Privileged Exec

Example

```
Console#show ipv6 dhcp relay destination interface vlan 1
DHCP relay destination :
VLAN 1 :
  Unicast   : 2001:DB8:3000:3000::42
Console#
```

DHCP Server

This section describes commands used to configure client address pools for the DHCP service.

Table 123: DHCP Server Commands

Command	Function	Mode
ip dhcp excluded-address	Specifies IP addresses that a DHCP server should not assign to DHCP clients	GC
ip dhcp pool	Configures a DHCP address pool on a DHCP Server	GC
service dhcp	Enables the DHCP server feature on this switch	GC
bootfile	Specifies a default boot image for a DHCP client	DC
client-identifier*	Specifies a client identifier for a DHCP client	DC
default-router	Specifies the default router list for a DHCP client	DC
dns-server	Specifies the Domain Name Server (DNS) servers available to a DHCP client	DC
domain-name	Specifies the domain name for a DHCP client	DC
hardware-address*	Specifies the hardware address of a DHCP client	DC
host*	Specifies the IP address and network mask to manually bind to a DHCP client	DC
lease	Sets the duration an IP address is assigned to a DHCP client	DC
netbios-name-server	Configures NetBIOS Windows Internet Naming Service (WINS) name servers available to Microsoft DHCP clients	DC
netbios-node-type	Configures NetBIOS node type for Microsoft DHCP clients	DC

Table 123: DHCP Server Commands (Continued)

Command	Function	Mode
<code>network</code>	Configures the subnet number and mask for a DHCP address pool	DC
<code>next-server</code>	Configures the next server in the boot process of a DHCP client	DC
<code>option</code>	Sets DHCP option details	DC
<code>clear ip dhcp binding</code>	Deletes an automatic address binding from the DHCP server database	PE
<code>show ip dhcp binding</code>	Displays address bindings on the DHCP server	PE, NE
<code>show ip dhcp</code>	Displays DHCP address pools	PE
<code>show ip dhcp pool</code>	Displays detailed information of DHCP address pools	PE

* These commands are used for manually binding an address to a client.

ip dhcp excluded-address This command specifies IP addresses that the DHCP server should not assign to DHCP clients. Use the **no** form to remove the excluded IP addresses.

Syntax

`[no] ip dhcp excluded-address low-address [high-address]`

low-address - An excluded IP address, or the first IP address in an excluded address range.

high-address - The last IP address in an excluded address range.

Default Setting

All IP pool addresses may be assigned.

Command Mode

Global Configuration

Example

```
Console(config)#ip dhcp excluded-address 10.1.0.19
Console(config)#
```

ip dhcp pool This command configures a DHCP address pool and enter DHCP Pool Configuration mode. Use the **no** form to remove the address pool.

Syntax

`[no] ip dhcp pool name`

name - A string or integer. (Range: 1-32 characters)

Default Setting

DHCP address pools are not configured.

Command Mode

Global Configuration

Usage Guidelines

- After executing this command, the switch changes to DHCP Pool Configuration mode, identified by the (config-dhcp)# prompt.
- From this mode, first configure address pools for the network interfaces (using the `network` command). You can also manually bind an address to a specific client (with the `host` command) if required. You can configure up to 8 network address pools, and up to 32 manually bound host address pools (i.e., listing one host address per pool). However, note that any address specified in a `host` command must fall within the range of a configured network address pool.

Example

```
Console(config)#ip dhcp pool R&D
Console(config-dhcp)#
```

service dhcp This command enables the DHCP server on this switch. Use the **no** form to disable the DHCP server.

Syntax

```
[no] service dhcp
```

Default Setting

Enabled

Command Mode

Global Configuration

Command Usage

If the DHCP server is running, you must restart it to implement any configuration changes.

Example

```
Console(config)#service dhcp
Console(config)#
```

bootfile This command specifies the name of the default boot image for a DHCP client. This file should be placed on the Trivial File Transfer Protocol (TFTP) server specified with the [next-server](#) command. Use the **no** form to delete the boot image name.

Syntax

bootfile *filename*

no bootfile

filename - Name of the file that is used as a default boot image. (Range: 1 to 128 characters)

Default Setting

None

Command Mode

DHCP Pool Configuration

Example

```
Console(config-dhcp)#bootfile wme.bat  
Console(config-dhcp)#
```

client-identifier This command specifies the client identifier of a DHCP client. Use the **no** form to remove the client identifier.

Syntax

client-identifier {**text** *text* | **hex** *hex*}

no client-identifier

text - A text string. (Range: 1-32 characters)

hex - The hexadecimal value.

Default Setting

None

Command Mode

DHCP Pool Configuration

Command Usage

- This command identifies a DHCP client to bind to an address specified in the [host](#) command. If both a client identifier and hardware address are configured for a host address, the client identifier takes precedence over the hardware address in the search procedure.
- BOOTP clients cannot transmit a client identifier. To bind an address to a BOOTP client, you must associate a hardware address with the host entry.

Example

```
Console(config-dhcp)#client-identifier text steve
Console(config-dhcp)#
```

default-router This command specifies default routers for a DHCP pool. Use the **no** form to remove the default routers.

Syntax

default-router { *address1* [*address2*] | **bootfile** *filename*}

no default-router

address1 - Specifies the IP address of the primary router.

address2 - Specifies the IP address of an alternate router.

bootfile *filename* - specifies the boot file name. (Range: 1-128 characters)

Default Setting

None

Command Mode

DHCP Pool Configuration

Usage Guidelines

The IP address of the router should be on the same subnet as the client. You can specify up to two routers. Routers are listed in order of preference (starting with *address1* as the most preferred router).

Example

```
Console(config-dhcp)#default-router 10.1.0.54 10.1.0.64
Console(config-dhcp)#
```

dns-server This command specifies the Domain Name System (DNS) IP servers available to a DHCP client. Use the **no** form to remove the DNS server list.

Syntax

dns-server *address1* [*address2*]

no dns-server

address1 - Specifies the IP address of the primary DNS server.

address2 - Specifies the IP address of the alternate DNS server.

Default Setting

None

Command Mode

DHCP Pool Configuration

Usage Guidelines

- If DNS IP servers are not configured for a DHCP client, the client cannot correlate host names to IP addresses.
- Servers are listed in order of preference (starting with *address 1* as the most preferred server).

Example

```
Console(config-dhcp)#dns-server 10.1.1.253 192.168.3.19
Console(config-dhcp)#
```

domain-name This command specifies the domain name for a DHCP client. Use the **no** form to remove the domain name.

Syntax

domain-name *domain*

no domain-name

domain - Specifies the domain name of the client.
(Range: 1-128 characters)

Default Setting

None

Command Mode

DHCP Pool Configuration

Example

```
Console(config-dhcp)#domain-name sample.com
Console(config-dhcp)#
```

hardware-address This command specifies the hardware address of a DHCP client. This command is valid for manual bindings only. Use the **no** form to remove the hardware address.

Syntax

hardware-address *hardware-address type*

no hardware-address

hardware-address - Specifies the MAC address of the client device.

type - Indicates the following protocol used on the client device:

- ethernet
- ieee802

Default Setting

If no *type* is specified, the default protocol is Ethernet.

Command Mode

DHCP Pool Configuration

Command Usage

This command identifies a DHCP or BOOTP client to bind to an address specified in the `host` command. BOOTP clients cannot transmit a client identifier. To bind an address to a BOOTP client, you must associate a hardware address with the host entry.

Example

```
Console(config-dhcp)#hardware-address 00-e0-29-94-34-28 ethernet
Console(config-dhcp)#
```

host Use this command to specify the IP address and network mask to manually bind to a DHCP client. Use the **no** form to remove the IP address for the client.

Syntax

`host address [mask]`

`no host`

address - Specifies the IP address of a client.

mask - Specifies the network mask of the client.

Default Setting

None

Command Mode

DHCP Pool Configuration

Usage Guidelines

- Host addresses must fall within the range specified for an existing network pool.
- When a client request is received, the switch first checks for a network address pool matching the gateway where the request originated (i.e., if the request was forwarded by a relay server). If there is no gateway in the client request (i.e., the request was not forwarded by a relay server), the switch searches for a network pool matching the interface through which the client request was received. It

then searches for a manually configured host address that falls within the matching network pool.

- When searching for a manual binding, the switch compares the client identifier for DHCP clients, and then compares the hardware address for DHCP or BOOTP clients.
- If no manual binding has been specified for a host entry with the `client-identifier` or `hardware-address` commands, then the switch will assign an address from the matching network pool.
- If the mask is unspecified, DHCP examines its address pools. If no mask is found in the pool database, the Class A, B, or C natural mask is used (see [page 814](#)). This command is valid for manual bindings only.
- The `no host` command only clears the address from the DHCP server database. It does not cancel the IP address currently in use by the host.

Example

```
Console(config-dhcp)#host 10.1.0.21 255.255.255.0  
Console(config-dhcp)#
```

lease This command configures the duration that an IP address is assigned to a DHCP client. Use the `no` form to restore the default value.

Syntax

`lease {days [hours] [minutes] | infinite}`

`no lease`

days - Specifies the duration of the lease in numbers of days. (Range: 0-365)

hours - Specifies the number of hours in the lease. A *days* value must be supplied before you can configure *hours*. (Range: 0-23)

minutes - Specifies the number of minutes in the lease. A *days* and *hours* value must be supplied before you can configure *minutes*. (Range: 0-59)

infinite - Specifies that the lease time is unlimited. This option is normally used for addresses manually bound to a BOOTP client via the `host` command.

Default Setting

One day

Command Modes

DHCP Pool Configuration

Example

The following example leases an address to clients using this pool for 7 days.

```
Console(config-dhcp)#lease 7
Console(config-dhcp)#
```

netbios-name-server This command configures NetBIOS Windows Internet Naming Service (WINS) name servers that are available to Microsoft DHCP clients. Use the **no** form to remove the NetBIOS name server list.

Syntax

netbios-name-server *address1* [*address2*]

no netbios-name-server

address1 - Specifies IP address of primary NetBIOS WINS name server.

address2 - Specifies IP address of alternate NetBIOS WINS name server.

Default Setting

None

Command Mode

DHCP Pool Configuration

Usage Guidelines

Servers are listed in order of preference (starting with *address1* as the most preferred server).

Example

```
Console(config-dhcp)#netbios-name-server 10.1.0.33 10.1.0.34
Console(config-dhcp)#
```

netbios-node-type This command configures the NetBIOS node type for Microsoft DHCP clients. Use the **no** form to remove the NetBIOS node type.

Syntax

netbios-node-type *type*

no netbios-node-type

type - Specifies the NetBIOS node type:

broadcast

hybrid (recommended)

mixed

peer-to-peer

Default Setting

None

Command Mode

DHCP Pool Configuration

Example

```
Console(config-dhcp)#netbios-node-type hybrid
Console(config-dhcp)#
```

network This command configures the subnet number and mask for a DHCP address pool. Use the **no** form to remove the subnet number and mask.

Syntax

network *network-number* [*mask*]

no network

network-number - The IP address of the DHCP address pool.

mask - The bit combination that identifies the network (or subnet) and the host portion of the DHCP address pool.

Command Mode

DHCP Pool Configuration

Usage Guidelines

- When a client request is received, the switch first checks for a network address pool matching the gateway where the request originated (i.e., if the request was forwarded by a relay server). If there is no gateway in the client request (i.e., the request was not forwarded by a relay server), the switch searches for a network pool matching the interface through which the client request was received. It

then searches for a manually configured host address that falls within the matching network pool. If no manually configured host address is found, it assigns an address from the matching network address pool. However, if no matching address pool is found the request is ignored.

- This command is valid for DHCP network address pools only. If the mask is not specified, the class A, B, or C natural mask is used. Subnet addresses are interpreted as class A, B or C, based on the first field in the specified address. In other words, if a subnet address `nnn.xxx.xxx.xxx` is entered, the first field (`nnn`) determines the class:
 - 0 - 127 is class A, only uses the first field in the network address.
 - 128 - 191 is class B, uses the first two fields in the network address.
 - 192 - 223 is class C, uses the first three fields in the network address.
- The DHCP server assumes that all host addresses are available. You can exclude subsets of the address space by using the `ip dhcp excluded-address` command.

Example

```
Console(config-dhcp)#network 10.1.0.0 255.255.255.0
Console(config-dhcp)#
```

next-server This command configures the next server in the boot process of a DHCP client. Use the **no** form to remove the boot server list.

Syntax

`[no] next-server address`

address - Specifies the IP address of the next server in the boot process, which is typically a Trivial File Transfer Protocol (TFTP) server.

Default Setting

None

Command Mode

DHCP Pool Configuration

Example

```
Console(config-dhcp)#next-server 10.1.0.21
Console(config-dhcp)#
```

option Use this command to enable DHCP options. Use the **no** form of the command to disable DHCP options.

Syntax

```
option code {ascii word | hex hex-value | ip-address address1[address2  
[address3[ address 4]]]}
```

code - A DHCP option code (Range: 0-254).

ascii word - ASCII character string representing a network device (Range: 1-48 ASCII characters).

hex hex-value - A concatenated hex number string of up to 4 IPv4 addresses in hex format each representing a network device.

ip-address address - up to 4 IPv4 addresses can be entered sequentially with blank spaces between. Each address represents a device in the network.

Default:

Disabled

Command Mode:

DHCP Pool Configuration

Command Usage:

To convert IPv4 address to a hex number string, each octet of the address is individually converted to hex and then all four hex values obtained concatenated. Take for example the address 192.168.2.1, 192= $c0_{16}$, 168= $a8_{16}$, 2= 02_{16} , and 1= 01_{16} resulting in $c0a80201_{16}$ as the hex value for the IPv4 address.

Example

In this example network devices 192.168.2.1 and 192.168.3.1 are entered in hex format using the **option** command.

```
Console(config-dhcp)#option 43 hex c0a802021c0a80301  
Console(config-dhcp)#
```

clear ip dhcp binding This command deletes an automatic address binding from the DHCP server database.

Syntax

```
clear ip dhcp binding [address]
```

address - The address of the binding to clear.

Default Setting

None

Command Mode

Privileged Exec

Usage Guidelines

- An *address* specifies the client's IP address. If no ip address is specified, the DHCP server clears all automatic bindings.
- Use the `no host` command to delete a manual binding.
- This command is normally used after modifying the address pool, or after moving DHCP service to another device.

Example.

```
Console#clear ip dhcp binding
Console
```

show ip dhcp binding This command displays address bindings on the DHCP server.

Syntax

```
show ip dhcp binding [address]
```

address - Specifies the IP address of the DHCP client for which bindings will be displayed.

Default Setting

None

Command Mode

Normal Exec, Privileged Exec

Example

```
Console#show ip dhcp binding

      IP                MAC                Lease Time          Start
      -----          -
      192.1.3.21  00-00-e8-98-73-21          86400 Dec 25 08:01:57 2002
Console#
```

show ip dhcp This command displays DHCP address pools configured on the switch.

Command Mode

Privileged Exec

Example

```
Console#show ip dhcp

  Name   Type   IP Address      Mask           Active Pool
-----
tps     Net   192.168.1.0     255.255.255.0  192.168.1.1    - 192.168.1.254

Total entry : 1
Console#
```

show ip dhcp pool This command displays the detailed configuration information of DHCP address pools on the switch.

Command Mode

Privileged Exec

Example

```
Console#show ip dhcp pool
Pool name : officea
Pool type : Network
  Network address      : 192.168.3.1

  Subnet mask          : 255.255.255.0

  Boot file            :
  Client identifier mode : Hex
  Client identifier    :
  Default router       : 10.2.3.4
                       0.0.0.0
  DNS server           : 192.168.4.4
                       0.0.0.0
  Domain name         : officeA
  Hardware type        : None
  Hardware address     : 00-00-00-00-00-00
  Lease time           : 1 d/ 0 h/ 0 m
  Netbios name server  : 0.0.0.0
                       0.0.0.0
  Netbios node type    : Hybrid
  Next server          : 192.168.5.1

Console#
```

33

IP Interface Commands

An IP Version 4 and Version 6 address may be used for management access to the switch over the network. Both IPv4 or IPv6 addresses can be used simultaneously to access the switch. You can manually configure a specific IPv4 or IPv6 address or direct the switch to obtain an IPv4 address from a BOOTP or DHCP server when it is powered on. An IPv6 address can either be manually configured or dynamically generated.

The IPv4 address for VLAN 1 on this switch is set to 192.168.2.10 by default. You may also need to establish an IPv4 or IPv6 default gateway between this device and management stations that exist on another network segment.

Table 124: IP Interface Commands

Command Group	Function
IPv4 Interface	Configures an IPv4 address for the switch
IPv6 Interface	Configures an IPv6 address for the switch
ND Snooping	Maintains IPv6 prefix table and user address binding table which can be used for stateless address auto-configuration or for address filtering by IPv6 Source Guard

IPv4 Interface

An initial IPv4 address of 192.168.2.10 is assigned to VLAN 1 on this switch by default. If this address is not suitable, you can manually configure a new address to manage the switch over your network or to connect the switch to existing IP subnets. You may also need to establish a default gateway between this device and management stations or other devices that exist on another network segment (if routing is not enabled).

This section includes commands for configuring IP interfaces, the Address Resolution Protocol (ARP) and Proxy ARP.

Table 125: IPv4 Interface Commands

Command Group	Function
Basic IPv4 Configuration	Configures the IP address for interfaces and the gateway router
ARP Configuration	Configures static, dynamic and proxy ARP service
UDP Helper Configuration	Forwards UDP broadcast packets to a specified server

Basic IPv4 Configuration This section describes commands used to configure IP addresses for VLAN interfaces on the switch.

Table 126: Basic IP Configuration Commands

Command	Function	Mode
<code>ip address</code>	Sets the IP address for the current interface	IC
<code>ip default-gateway</code>	Defines the default gateway through which this switch can reach other subnetworks	GC
<code>interface loopback</code>	Configures a loopback interface and enters interface loopback configuration mode	GC
<code>ip address (loopback)</code>	Sets an IP address for the loopback interface	IC
<code>show ip interface</code>	Displays the IP settings for this device	PE
<code>show ip route</code>	Displays specified entries in the routing table	PE
<code>show ip traffic</code>	Displays statistics for IP, ICMP, UDP, TCP and ARP protocols	PE
<code>traceroute</code>	Shows the route packets take to the specified host	PE
<code>ping</code>	Sends ICMP echo request packets to another node on the network	NE, PE

ip address This command sets the IPv4 address for the currently selected VLAN interface. Use the **no** form to remove an IP address.

Syntax

```
ip address {ip-address netmask [secondary]  
[default-gateway ip-address] | bootp | dhcp}
```

```
no ip address [ip-address netmask [secondary] | dhcp]
```

ip-address - IP address

netmask - Network mask for the associated IP subnet. This mask identifies the host address bits used for routing to specific subnets. The network mask can use either the traditional format xxx.xxx.xxx.xxx or classless format with the range /5 to /32. For example the subnet 255.255.224.0 would be /19.

secondary - Specifies a secondary IP address.

default-gateway - The default gateway. (Refer to the `ip default-gateway` command which provides the same function.)

bootp - Obtains IP address from BOOTP.

dhcp - Obtains IP address from DHCP.

Default Setting

192.168.2.10/24

Command Mode

Interface Configuration (VLAN)

Command Usage

- Before any network interfaces are configured on the router, first create a VLAN for each unique user group, or for each network application and its associated users. Then assign the ports associated with each of these VLANs.
- An IP address must be assigned to this device to gain management access over the network or to connect the router to existing IP subnets. A specific IP address can be manually configured, or the router can be directed to obtain an address from a BOOTP or DHCP server. Valid IP addresses consist of four numbers, 0 to 255, separated by periods. Anything other than this format will not be accepted by the configuration program.
- An interface can have only one primary IP address, but can have many secondary IP addresses. In other words, secondary addresses need to be specified if more than one IP subnet can be accessed through this interface. Note that a secondary address cannot be configured prior to setting the primary IP address, and the primary address cannot be removed if a secondary address is still present. Also, if any router/switch in a network segment uses a secondary address, all other routers/switches in that segment must also use a secondary address from the same network or subnet address space.
- If **bootp** or **dhcp** options are selected, the system will immediately start broadcasting service requests for all VLANs configured to obtain address assignments through BOOTP or DHCP. IP is enabled but will not function until a BOOTP or DHCP reply has been received. Requests are broadcast periodically by the router in an effort to learn its IP address. (BOOTP and DHCP values can include the IP address, default gateway, and subnet mask). If the DHCP/BOOTP server is slow to respond, you may need to use the [ip dhcp restart client](#) command to re-start broadcasting service requests, or reboot the switch.



Note: Each VLAN group can be assigned its own IP interface address. You can manage the switch via any of these IP addresses.

Example

In the following example, the device is assigned an address in VLAN 1.

```
Console(config)#interface vlan 1
Console(config-if)#ip address 192.168.1.5 255.255.255.0
Console(config-if)#
```

This example assigns an IP address to VLAN 2 using a classless network mask.

```
Console(config)#interface vlan 2
Console(config-if)#ip address 10.2.2.1/24
Console(config-if)#
```

ip default-gateway This command specifies the default gateway for destinations not found in local routing tables. Use the **no** form to remove a default gateway.

Syntax

ip default-gateway *gateway*

no ip default-gateway

gateway - IP address of the default gateway

Default Setting

No default gateway is established.

Command Mode

Global Configuration

Command Usage

- The default gateway can also be defined using the following Global configuration command: **ip route 0.0.0.0 0.0.0.0** *gateway-address*.
- Static routes can also be defined using the **ip route** command to ensure that traffic to the designated address or subnet passes through a preferred gateway.
- A default gateway can only be successfully set when a network interface that directly connects to the gateway has been configured on the router.
- The same link-local address may be used by different interfaces/nodes in different zones (RFC 4007). Therefore, when specifying a link-local address for a default gateway, include zone-id information indicating the VLAN identifier after the % delimiter. For example, FE80::7272%1 identifies VLAN 1 as the interface.

Example

The following example defines a default gateway for this device:

```
Console(config)#ip default-gateway 192.168.2.1
Console(config)#end
Console#show ip route
Codes: C - connected, S - static, R - RIP, B - BGP
       O - OSPF, IA - OSPF inter area
       N1 - OSPF NSSA external type 1, N2 - OSPF NSSA external type 2
       E1 - OSPF external type 1, E2 - OSPF external type 2
       i - IS-IS, L1 - IS-IS level-1, L2 - IS-IS level-2, ia - IS-IS inter area
       * - candidate default
```

```
S*      0.0.0.0/0 [1/0] via 192.168.2.1, VLAN1
C      192.168.2.0/24 is directly connected, VLAN1
Console(config)#
```

interface loopback This command configures a loopback interface and enters interface loopback configuration mode. Use the **no** form to remove a loopback interface.

Syntax

[no] interface loopback *interface-number*

interface-number - The interface number (always 0).

Default Setting

None

Command Mode

Global Configuration

Command Usage

Configure a loopback interface to create an interface that is always up.

Example

```
Console#interface loopback 0
Console(config-if)#
```

ip address (loopback) This command sets the IPv4 address for the loopback interface. Use the **no** form to remove the IP address.

Syntax

[no] ip address {*ip-address netmask* | *ip-address/prefix-length*}

ip-address - IP address

netmask - Network mask for the associated IP subnet. This mask identifies the host address bits used for routing to specific subnets.

prefix-length - The network mask specified in classless format with the range /5 to /32.

Default Setting

None

Command Mode

Interface Configuration (Loopback)

Example

```
Console#interface loopback 0
Console(config-if)#ip address 192.168.1.1 255.255.255.0
Console(config-if)#
```

show ip interface This command displays the settings of an IPv4 interface.

Syntax

```
show ip interface [vlan vlan-id]
           vlan-id - VLAN ID (Range: 1-4094)
```

Command Mode

Privileged Exec

Example

```
Console#show ip interface
VLAN 1 is Administrative Up - Link Up
  Address is CC-37-AB-BC-4F-FA
  Index: 1001, MTU: 1500
  Address Mode is User specified
  IP Address: 192.168.2.98 Mask: 255.255.255.0
  Proxy ARP is disabled
  DHCP Relay Server:
Console#
```

show ip traffic This command displays statistics for IP, ICMP, UDP, TCP and ARP protocols.

Command Mode

Privileged Exec

Example

```
Console#show ip traffic
IP Statistics:
IP received
    7845 total received
        header errors
        unknown protocols
        address errors
        discards
    7845 delivers
        reassembly request datagrams
        reassembly succeeded
        reassembly failed
IP sent
        forwards datagrams
    9903 requests
        discards
        no routes
```



```

generated fragments
fragment succeeded
fragment failed

ICMP Statistics:
ICMP received
    input
    errors
    destination unreachable messages
    time exceeded messages
    parameter problem message
    echo request messages
    echo reply messages
    redirect messages
    timestamp request messages
    timestamp reply messages
    source quench messages
    address mask request messages
    address mask reply messages

ICMP sent
    output
    errors
    destination unreachable messages
    time exceeded messages
    parameter problem message
    echo request messages
    echo reply messages
    redirect messages
    timestamp request messages
    timestamp reply messages
    source quench messages
    address mask request messages
    address mask reply messages

UDP Statistics:
    input
    no port errors
    other errors
    output

TCP Statistics:
    7841 input
    input errors
    9897 output

Console#

```

traceroute This command shows the route packets take to the specified destination.

Syntax

traceroute *host*

host - IP address or alias of the host.

Default Setting

None

Command Mode

Privileged Exec

Command Usage

- Use the **traceroute** command to determine the path taken to reach a specified destination.
- A trace terminates when the destination responds, when the maximum timeout (TTL) is exceeded, or the maximum number of hops is exceeded.
- The traceroute command first sends probe datagrams with the TTL value set at one. This causes the first router to discard the datagram and return an error message. The trace function then sends several probe messages at each subsequent TTL level and displays the round-trip time for each message. Not all devices respond correctly to probes by returning an “ICMP port unreachable” message. If the timer goes off before a response is returned, the trace function prints a series of asterisks and the “Request Timed Out” message. A long sequence of these messages, terminating only when the maximum timeout has been reached, may indicate this problem with the target device.
- If the target device does not respond or other errors are detected, the switch will indicate this by one of the following messages:
 - * - No Response
 - H - Host Unreachable
 - N - Network Unreachable
 - P - Protocol Unreachable
 - O -Other

Example

```
Console#traceroute 192.168.0.99
Press "ESC" to abort.
Traceroute to 192.168.0.99, 30 hops max, timeout is 3 seconds
Hop  Packet 1 Packet 2 Packet 3 IP Address
-----
  1    20 ms  <10 ms  <10 ms 192.168.0.99

Trace completed.
Console#
```

ping This command sends (IPv4) ICMP echo request packets to another node on the network.

Syntax

ping *host* [**count** *count*] [**size** *size*]

host - IP address or alias of the host.

count - Number of packets to send. (Range: 1-1000000)

size - Number of bytes in a packet. (Range: 32-1472)
The actual packet size will be eight bytes larger than the size specified because the switch adds header information.

Default Setting

count: 5
size: 32 bytes

Command Mode

Normal Exec, Privileged Exec

Command Usage

- Use the ping command to see if another site on the network can be reached.
- The following are some results of the **ping** command:
 - *Normal response* - The normal response occurs in one to ten seconds, depending on network traffic.
 - *Destination does not respond* - If the host does not respond, a “timeout” appears in ten seconds.
 - *Destination unreachable* - The gateway for this destination indicates that the destination is unreachable.
 - *Network or host unreachable* - The gateway found no corresponding entry in the route table.
- When pinging a host name, be sure the DNS server has been defined ([page 786](#)) and host name-to-address translation enabled ([page 784](#)). If necessary, local devices can also be specified in the DNS static host table ([page 785](#)).

Example

```
Console#ping 10.1.0.9
Press ESC to abort.
PING to 10.1.0.9, by 5 32-byte payload ICMP packets, timeout is 5 seconds
response time: 3.101 ms
response time: 1.855 ms
response time: 1.251 ms
response time: 1.577 ms
response time: 1.231 ms
Ping statistics for 10.1.0.9:
 5 packets transmitted, 5 packets received (100%), 0 packets lost (0%)
Approximate round trip times:
  Minimum = 1.231 ms, Maximum = 3.101 ms, Average = 1.803 ms
Console#
```

ARP Configuration This section describes commands used to configure the Address Resolution Protocol (ARP) on the switch.

Table 127: Address Resolution Protocol Commands

Command	Function	Mode
<code>arp</code>	Adds a static entry in the ARP cache	GC
<code>arp timeout</code>	Sets the time a dynamic entry remains in the ARP cache	GC
<code>ip proxy-arp</code>	Enables proxy ARP service	IC
<code>clear arp-cache</code>	Deletes all dynamic entries from the ARP cache	PE
<code>show arp</code>	Displays entries in the ARP cache	PE

arp This command adds a static entry in the Address Resolution Protocol (ARP) cache. Use the **no** form to remove an entry from the cache.

Syntax

`arp ip-address hardware-address`

`no arp ip-address`

ip-address - IP address to map to a specified hardware address.

hardware-address - Hardware address to map to a specified IP address.
(The format for this address is xx-xx-xx-xx-xx-xx or xxxxxxxxxxxx.)

Default Setting

No default entries

Command Mode

Global Configuration

Command Usage

- The ARP cache is used to map 32-bit IP addresses into 48-bit hardware (i.e., Media Access Control) addresses. This cache includes entries for hosts and other routers on local network interfaces defined on this router.
- The maximum number of static entries allowed in the ARP cache is 128.
- You may need to put a static entry in the cache if there is no response to an ARP broadcast message. For example, some applications may not respond to ARP requests or the response arrives too late, causing network operations to time out.
- Static entries will not be aged out nor deleted when power is reset. A static entry can only be removed through the configuration interface.

Example

```
Console(config)#arp 10.1.0.19 01-02-03-04-05-06
Console(config)#
```

arp timeout This command sets the aging time for dynamic entries in the Address Resolution Protocol (ARP) cache. Use the **no** form to restore the default timeout.

Syntax

arp timeout *seconds*

no arp timeout

seconds - The time a dynamic entry remains in the ARP cache.
(Range: 300-86400; 86400 seconds is one day)

Default Setting

1200 seconds (20 minutes)

Command Mode

Global Configuration

Command Usage

- When a ARP entry expires, it is deleted from the cache and an ARP request packet is sent to re-establish the MAC address.
- The aging time determines how long dynamic entries remain in the cache. If the timeout is too short, the router may tie up resources by repeating ARP requests for addresses recently flushed from the table.

Example

This example sets the ARP cache timeout for 15 minutes (i.e., 900 seconds).

```
Console(config)#arp timeout 900
Console(config)#
```

ip proxy-arp This command enables proxy Address Resolution Protocol (ARP). Use the **no** form to disable proxy ARP.

Syntax

[no] ip proxy-arp

Default Setting

Disabled

Command Mode

Interface Configuration (VLAN)

Command Usage

- Proxy ARP allows a non-routing device to determine the MAC address of a host on another subnet or network.
- End stations that require Proxy ARP must view the entire network as a single network. These nodes must therefore use a smaller subnet mask than that used by the router or other relevant network devices.
- Extensive use of Proxy ARP can degrade router performance because it may lead to increased ARP traffic and increased search time for larger ARP address tables.

Example

```
Console(config)#interface vlan 3
Console(config-if)#ip proxy-arp
Console(config-if)#
```

clear arp-cache This command deletes all dynamic entries from the Address Resolution Protocol (ARP) cache.

Command Mode

Privileged Exec

Example

This example clears all dynamic entries in the ARP cache.

```
Console#clear arp-cache
This operation will delete all the dynamic entries in ARP Cache.
Do you want to continue this operation (y/n)?
Console#
```

show arp This command displays entries in the Address Resolution Protocol (ARP) cache.

Command Mode

Privileged Exec

Command Usage

- This command displays information about the ARP cache. The first line shows the cache timeout. It also shows each cache entry, including the IP address, MAC address, type (static, dynamic, other), and VLAN interface. Note that entry type "other" indicates local addresses for this router.

- Static entries are only displayed for VLANs that are up. In other words, static entries are only displayed when configured for the IP subnet of a existing VLAN, and that VLAN is linked up.

Example

This example displays all entries in the ARP cache.

```

Console#show arp
ARP Cache Timeout: 1200 (seconds)

IP Address      MAC Address      Type      Interface
-----
10.1.0.0        FF-FF-FF-FF-FF-FF other      VLAN1
10.1.0.254      00-00-AB-CD-00-00 other      VLAN1
10.1.0.255      FF-FF-FF-FF-FF-FF other      VLAN1
145.30.20.23    09-50-40-30-20-10 dynamic    VLAN3

Total entry : 4
Console#

```

UDP Helper Configuration

User Datagram Protocol (UDP) Helper allows host applications to forward UDP broadcast packets from this switch to another part of the network. This section describes the commands used to configure UDP Helper.

Table 128: UDP Helper Commands

Command	Function	Mode
<code>ip forward-protocol udp</code>	Specifies the UDP destination ports for which broadcast traffic will be forwarded	GC
<code>ip helper</code>	Enables UDP helper globally on the switch	GC
<code>ip helper-address</code>	Specifies the servers to which designated UDP protocol packets are forwarded	IC
<code>show ip helper</code>	Displays configuration settings for UDP helper	PE

`ip forward-protocol udp`

This command specifies the UDP destination ports for which broadcast traffic will be forwarded when the UDP helper is enabled. Use the **no** form to remove a UDP port from the forwarding list.

Syntax

`[no] ip forward-protocol udp destination-port`

destination-port - UDP application port for which UDP service requests are forwarded. (Range: 1-65535)

Default Setting

The following UDP ports are included in the forwarding list when UDP helper is enabled with the `ip helper` command and a remote server address is configured with the `ip helper-address` command:

BOOTP client	port 67
BOOTP server	port 68
Domain Name Service	port 53
IEN-116 Name Service	port 42
NetBIOS Datagram Server	port 138
NetBIOS Name Server	port 137
NTP	port 37
TACACS service	port 49
TFTP	port 69

Command Mode

Global Configuration

Command Usage

Up to 100 UDP ports can be specified with this command for forwarding to one or more remote servers.

Example

This example enables forwarding for DHCPv6 UDP packets.

```
Console(config)#ip forward-protocol udp 547  
Console(config)#
```

ip helper This command enables UDP helper globally on the switch. Use the **no** form to disable this feature.

Syntax

[no] ip helper

Default Setting

Disabled

Command Mode

Global Configuration

Command Usage

- Network hosts occasionally use UDP broadcasts to determine information such as address configuration, and domain name mapping. These broadcasts are confined to the local subnet, either as an all hosts broadcast (all ones broadcast - 255.255.255.255), or a directed subnet broadcast (such as 10.10.10.255). To reduce the number of application servers deployed in a multi-segment network, UDP helper can be used to forward broadcast packets for specified UDP application ports to remote servers located in another network segment.

- To configure UDP helper, it must be enabled globally with the **ip helper** command. The UDP destination ports for which broadcast traffic will be forwarded must be specified with the **ip forward-protocol udp** command. And the remote servers which are configured to service UDP clients on another network segment specified with the **ip helper-address** command.

Example

This example enables UDP helper globally on the switch.

```
Console(config)#ip helper
Console(config)#
```

ip helper-address This command specifies the application server or subnet (indicated by a directed broadcast address) to which designated UDP broadcast packets are forwarded. Use the **no** form to remove a UDP helper address.

Syntax

[no] ip helper-address *ip-address*

ip-address - Host address or directed broadcast address to which UDP broadcast packets are forwarded. (Range: 1-65535)

Default Setting

None

Command Mode

Interface Configuration (VLAN)

Command Usage

- Up to 20 helper addresses can be specified with this command.
- To forward UDP packets with the UDP helper, the clients must be connected to the selected interface, and the interface configured with an IP address.
- The UDP packets to be forwarded must be specified by the **ip forward-protocol udp** command, and the packets meet the following criteria:
 - The MAC address of the received frame must be all-ones broadcast address (ffff.ffff.ffff).
 - The IP destination address must be one of the following:
 - all-ones broadcast (255.255.255.255)
 - subnet broadcast for the receiving interface
 - The IP time-to-live (TTL) value must be at least 2.

- The IP protocol must be UDP (17).
- The UDP destination port must be TFTP, Domain Name System (DNS), Time, NetBIOS, BOOTP or DHCP packet, or a UDP port specified by the `ip forward-protocol udp` command.
- If a helper address is specified with this command, but no UDP ports have been specified with the `ip forward-protocol udp` command, broadcast traffic for several UDP protocol types will be forwarded by default as described under the `ip forward-protocol udp` command.

Example

This example indicates that designated UDP broadcast packets are to be forwarded to the directed broadcast address of 192.168.2.255.

```
Console(config)#interface vlan 1
Console(config-if)#ip helper-address 192.168.2.255
Console(config-if)#
```

show ip helper This command displays configuration settings for UDP helper.

Command Mode

Privileged Exec

Command Usage

This command displays all configuration settings for UDP helper, including its functional status, the UDP ports for which broadcast traffic will be forwarded, and the remote servers or subnets to which the traffic will be forwarded.

Example

```
Console#show ip helper
Helper mechanism is enabled
Forward port list(maximum count: 100)
  547
Total port number now is: 1
Helper address list(maximum count: 1024)
Interface VLAN 1:
  192.168.2.255
Total helper number now is: 1
Console#
```

IPv6 Interface

This switch supports the following IPv6 interface commands.

Table 129: IPv6 Configuration Commands

Command	Function	Mode
<i>Interface Address Configuration and Utilities</i>		
<code>ipv6 default-gateway</code>	Sets an IPv6 default gateway for traffic with no known next hop	GC
<code>ipv6 address</code>	Configures an IPv6 global unicast address, and enables IPv6 on an interface	IC
<code>ipv6 address autoconfig</code>	Enables automatic configuration of IPv6 addresses on an interface and enables IPv6 on the interface	IC
<code>ipv6 address eui-64</code>	Configures an IPv6 global unicast address for an interface using an EUI-64 interface ID in the low order 64 bits, and enables IPv6 on the interface	IC
<code>ipv6 address link-local</code>	Configures an IPv6 link-local address for an interface and enables IPv6 on the interface	IC
<code>ipv6 enable</code>	Enables IPv6 on an interface that has not been configured with an explicit IPv6 address	IC
<code>ipv6 mtu</code>	Sets the size of the maximum transmission unit (MTU) for IPv6 packets sent on an interface	IC
<code>show ipv6 interface</code>	Displays the usability and configured settings for IPv6 interfaces	PE
<code>show ipv6 mtu</code>	Displays maximum transmission unit (MTU) information for IPv6 interfaces	PE
<code>show ipv6 traffic</code>	Displays statistics about IPv6 traffic	PE
<code>clear ipv6 traffic</code>	Resets IPv6 traffic counters	PE
<code>ping6</code>	Sends IPv6 ICMP echo request packets to another node on the network	NE, PE
<code>traceroute6</code>	Shows the route packets take to the specified host	PE
<i>Neighbor Discovery</i>		
<code>ipv6 hop-limit</code>	Configures the maximum number of hops used in router advertisements that are originated by this router	GC
<code>ipv6 neighbor</code>	Configures a static entry in the IPv6 neighbor discovery cache	GC
<code>ipv6 nd dad attempts</code>	Configures the number of consecutive neighbor solicitation messages sent on an interface during duplicate address detection	IC
<code>ipv6 nd managed-config-flag</code>	Configures router advertisements to indicate that attached hosts can use stateful autoconfiguration to obtain addresses	IC
<code>ipv6 nd other-config-flag</code>	Configures router advertisements to indicate that attached hosts can obtain autoconfiguration information other than addresses	IC
<code>ipv6 nd ns-interval</code>	Configures the interval between IPv6 neighbor solicitation retransmissions on an interface	IC

Table 129: IPv6 Configuration Commands (Continued)

Command	Function	Mode
<code>ipv6 nd raguard</code>	Blocks incoming Router Advertisement and Router Redirect packets	IC
<code>ipv6 nd reachable-time</code>	Configures the amount of time that a remote IPv6 node is considered reachable after some reachability confirmation event has occurred	IC
<code>ipv6 nd prefix</code>	Configures the IPv6 prefixes to include in router advertisements	IC
<code>ipv6 nd ra interval minimum-interval [maximum-interval]</code>	Configures the interval between the transmission of router advertisements on an interface	IC
<code>ipv6 nd ra lifetime</code>	Configures the router lifetime value used in router advertisements sent from an interface	IC
<code>ipv6 nd ra router-preference</code>	Configures the default router preference for the router on an interface	IC
<code>ipv6 nd ra suppress</code>	Suppresses router advertisement transmissions on an interface	IC
<code>show ipv6 nd raguard</code>	Displays the configuration setting for RA Guard	PE
<code>clear ipv6 neighbors</code>	Deletes all dynamic entries in the IPv6 neighbor discovery cache	PE
<code>show ipv6 neighbors</code>	Displays information in the IPv6 neighbor discovery cache	PE
<code>show ipv6 nd prefix</code>	Displays IPv6 neighbor discovery prefixes for a VLAN	PE

Interface Address Configuration and Utilities

ipv6 default-gateway This command sets an IPv6 default gateway to use for destinations with no known next hop. Use the **no** form to remove a previously configured default gateway.

Syntax

ipv6 default-gateway *ipv6-address*

no ipv6 default-gateway

ipv6-address - The IPv6 address of the default next hop router to use for destinations with no known next hop.

Default Setting

No default gateway is defined

Command Mode

Global Configuration

Command Usage

- All IPv6 addresses must be according to RFC 2373 “IPv6 Addressing Architecture,” using 8 colon-separated 16-bit hexadecimal values. One double

colon may be used in the address to indicate the appropriate number of zeros required to fill the undefined fields.

- The same link-local address may be used by different interfaces/nodes in different zones (RFC 4007). Therefore, when specifying a link-local address, include zone-id information indicating the VLAN identifier after the % delimiter. For example, FE80::7272%1 identifies VLAN 1 as the interface from which the ping is sent.
- An IPv6 default gateway should be defined if the destination has been assigned an IPv6 address that is located in a different IP segment.
- An IPv6 default gateway can only be successfully set when a network interface that directly connects to the gateway has been configured on the switch.

Example

The following example defines a default gateway for this device:

```
Console(config)#ipv6 default-gateway FE80::269:3EF9:FE19:6780%1
Console(config)#
```

ipv6 address This command configures an IPv6 global unicast address and enables IPv6 on an interface. Use the **no** form without any arguments to remove all IPv6 addresses from the interface, or use the **no** form with a specific IPv6 address to remove that address from the interface.

Syntax

[no] **ipv6 address** *ipv6-address*[/*prefix-length*]

ipv6-address - A full IPv6 address including the network prefix and host address bits.

prefix-length - A decimal value indicating how many contiguous bits (from the left) of the address comprise the prefix (i.e., the network portion of the address).

Default Setting

No IPv6 addresses are defined

Command Mode

Interface Configuration (VLAN)

Command Usage

- All IPv6 addresses must be according to RFC 2373 "IPv6 Addressing Architecture," using 8 colon-separated 16-bit hexadecimal values. One double colon may be used in the address to indicate the appropriate number of zeros required to fill the undefined fields.

- To connect to a larger network with multiple subnets, you must configure a global unicast address. This address can be manually configured with this command, or it can be automatically configured using the `ipv6 address autoconfig` command.
- If a link-local address has not yet been assigned to this interface, this command will assign the specified static global unicast address and also dynamically generate a link-local unicast address for the interface. (The link-local address is made with an address prefix of FE80 and a host portion based the switch's MAC address in modified EUI-64 format.)
- If a duplicate address is detected, a warning message is sent to the console.

Example

This example specifies a full IPv6 address and prefix length.

```
Console(config)#interface vlan 1
Console(config-if)#ipv6 address 2001:DB8:2222:7272::72/96
Console(config-if)#end
Console#show ipv6 interface
VLAN 1 is up
IPv6 is enabled
Link-local address:
    fe80::7272:cfff:fe83:3466%1/64
Global unicast address(es):
    2001:db8:2222:7272::72/96, subnet is 2001:db8:2222:7272::/96
Joined group address(es):
    ff02::1:ff00:72
    ff02::1:ff83:3466
    ff02::1
IPv6 link MTU is 1500 bytes
ND DAD is enabled, number of DAD attempts: 3.
ND retransmit interval is 1000 milliseconds
ND advertised retransmit interval is 0 milliseconds
ND reachable time is 30000 milliseconds
ND advertised reachable time is 0 milliseconds
ND advertised router lifetime is 1800 seconds

Console#
```

`ipv6 address autoconfig`

This command enables stateless autoconfiguration of IPv6 addresses on an interface and enables IPv6 on the interface. The network portion of the address is based on prefixes received in IPv6 router advertisement messages; the host portion is based on the modified EUI-64 form of the interface identifier (i.e., the switch's MAC address). Use the `no` form to remove the address generated by this command.

Syntax

```
[no] ipv6 address autoconfig
```

Default Setting

No IPv6 addresses are defined

Command Mode

Interface Configuration (VLAN)

Command Usage

- If a link local address has not yet been assigned to this interface, this command will dynamically generate a global unicast address (if a global prefix is included in received router advertisements) and a link local address for the interface. (The link-local address is made with an address prefix of FE80 and a host portion based the switch's MAC address in modified EUI-64 format.)
- If a duplicate address is detected, a warning message is sent to the console.
- When DHCPv6 is restarted, the switch may attempt to acquire an IP address prefix through stateful address autoconfiguration. If the router advertisements have the "other stateful configuration" flag set, the switch may also attempt to acquire other non-address configuration information (such as a default gateway) from a DHCPv6 server when DHCPv6 is restarted.

Example

This example assigns a dynamic global unicast address of to the switch.

```
Console(config-if)#ipv6 address autoconfig
Console(config-if)#end
Console#show ipv6 interface
VLAN 1 is up
IPv6 is stale
Link-local address:
  fe80::7272:cfff:fe83:3466%1/64
Global unicast address(es):
  (None)
Joined group address(es):
  ff02::1:ffbc:4ffa
  ff02::1:2
  ff02::1
IPv6 link MTU is 1500 bytes
ND DAD is enabled, number of DAD attempts: 3.
ND retransmit interval is 1000 milliseconds
ND advertised retransmit interval is 0 milliseconds
ND reachable time is 30000 milliseconds
ND advertised reachable time is 0 milliseconds
ND advertised router lifetime is 1800 seconds

Console#
```

ipv6 address eui-64 This command configures an IPv6 address for an interface using an EUI-64 interface ID in the low order 64 bits and enables IPv6 on the interface. Use the **no** form without any arguments to remove all manually configured IPv6 addresses from the interface. Use the **no** form with a specific address to remove it from the interface.

Syntax

ipv6 address *ipv6-prefix/prefix-length* **eui-64**

no ipv6 address [*ipv6-prefix/prefix-length* **eui-64**]

ipv6-prefix - The IPv6 network portion of the address assigned to the interface.

prefix-length - A decimal value indicating how many contiguous bits (from the left) of the address comprise the prefix (i.e., the network portion of the address).

Default Setting

No IPv6 addresses are defined

Command Mode

Interface Configuration (VLAN)

Command Usage

- The prefix must be formatted according to RFC 2373 "IPv6 Addressing Architecture," using 8 colon-separated 16-bit hexadecimal values. One double colon may be used in the address to indicate the appropriate number of zeros required to fill the undefined fields.
- If a link local address has not yet been assigned to this interface, this command will dynamically generate a global unicast address and a link-local address for this interface. (The link-local address is made with an address prefix of FE80 and a host portion based the switch's MAC address in modified EUI-64 format.)
- Note that the value specified in the *ipv6-prefix* may include some of the high-order host bits if the specified prefix length is less than 64 bits. If the specified prefix length exceeds 64 bits, then the network portion of the address will take precedence over the interface identifier.
- If a duplicate address is detected, a warning message is sent to the console.
- IPv6 addresses are 16 bytes long, of which the bottom 8 bytes typically form a unique host identifier based on the device's MAC address. The EUI-64 specification is designed for devices that use an extended 8-byte MAC address. For devices that still use a 6-byte MAC address (also known as EUI-48 format), it must be converted into EUI-64 format by inverting the universal/local bit in the address and inserting the hexadecimal number FFFE between the upper and lower three bytes of the MAC address.

- For example, if a device had an EUI-48 address of 28-9F-18-1C-82-35, the global/local bit must first be inverted to meet EUI-64 requirements (i.e., 1 for globally defined addresses and 0 for locally defined addresses), changing 28 to 2A. Then the two bytes FFFE are inserted between the OUI (i.e., company id) and the rest of the address, resulting in a modified EUI-64 interface identifier of 2A-9F-18-FF-FE-1C-82-35.
- This host addressing method allows the same interface identifier to be used on multiple IP interfaces of a single device, as long as those interfaces are attached to different subnets.

Example

This example uses the network prefix of 2001:0DB8:0:1::/64, and specifies that the EUI-64 interface identifier be used in the lower 64 bits of the address.

```

Console(config)#interface vlan 1
Console(config-if)#ipv6 address 2001:0DB8:0:1::/64 eui-64
Console(config-if)#end
Console#show ipv6 interface
VLAN 1 is up
IPv6 is enabled
Link-local address:
    fe80::7272:cfff:fe83:3466%1/64
Global unicast address(es):
    2001:db8:0:1:7272:cfff:fe83:3466/64, subnet is 2001:db8:0:1::/64[EUI]
    2001:db8:2222:7272::72/96, subnet is 2001:db8:2222:7272::/96
Joined group address(es):
    ff02::1:ff00:72
    ff02::1:ff83:3466
    ff02::1
IPv6 link MTU is 1500 bytes
ND DAD is enabled, number of DAD attempts: 3.
ND retransmit interval is 1000 milliseconds
ND advertised retransmit interval is 0 milliseconds
ND reachable time is 30000 milliseconds
ND advertised reachable time is 0 milliseconds
ND advertised router lifetime is 1800 seconds

Console#

```

ipv6 address link-local This command configures an IPv6 link-local address for an interface and enables IPv6 on the interface. Use the **no** form without any arguments to remove all manually configured IPv6 addresses from the interface. Use the **no** form with a specific address to remove it from the interface.

Syntax

ipv6 address *ipv6-address* **link-local**

no ipv6 address [*ipv6-address* **link-local**]

ipv6-address - The IPv6 address assigned to the interface.

Default Setting

No IPv6 addresses are defined

Command Mode

Interface Configuration (VLAN)

Command Usage

- The specified address must be formatted according to RFC 2373 “IPv6 Addressing Architecture,” using 8 colon-separated 16-bit hexadecimal values. One double colon may be used in the address to indicate the appropriate number of zeros required to fill the undefined fields. And the address prefix must be in the range of FE80~FEBF.
- The address specified with this command replaces a link-local address that was automatically generated for the interface.
- You can configure multiple IPv6 global unicast addresses per interface, but only one link-local address per interface.
- If a duplicate address is detected, a warning message is sent to the console.

Example

This example assigns a link-local address of FE80::269:3EF9:FE19:6779 to VLAN 1. Note that a prefix in the range of FE80~FEBF is required for link-local addresses, and the first 16-bit group in the host address is padded with a zero in the form 0269.

```
Console(config)#interface vlan 1
Console(config-if)#ipv6 address FE80::269:3EF9:FE19:6779 link-local
Console(config-if)#end
Console#show ipv6 interface
VLAN 1 is up
IPv6 is enabled
Link-local address:
  fe80::269:3ef9:fe19:6779%1/64
Global unicast address(es):
  2001:db8:0:1:7272:cfff:fe83:3466/64, subnet is 2001:db8:0:1::/64[EUI]
  2001:db8:2222:7272::/96, subnet is 2001:db8:2222:7272::/96
Joined group address(es):
  ff02::1:ff19:6779
  ff02::1:ff00:72
  ff02::1:ff83:3466
  ff02::1
IPv6 link MTU is 1500 bytes
ND DAD is enabled, number of DAD attempts: 3.
ND retransmit interval is 1000 milliseconds
ND advertised retransmit interval is 0 milliseconds
ND reachable time is 30000 milliseconds
ND advertised reachable time is 0 milliseconds
ND advertised router lifetime is 1800 seconds

Console#
```

ipv6 enable This command enables IPv6 on an interface that has not been configured with an explicit IPv6 address. Use the **no** form to disable IPv6 on an interface that has not been configured with an explicit IPv6 address.

Syntax

```
[no] ipv6 enable
```

Default Setting

IPv6 is disabled

Command Mode

Interface Configuration (VLAN)

Command Usage

- This command enables IPv6 on the current VLAN interface and automatically generates a link-local unicast address. The address prefix uses FE80, and the host portion of the address is generated by converting the switch's MAC address to modified EUI-64 format (see [page 840](#)). This address type makes the switch accessible over IPv6 for all devices attached to the same local subnet.
- If a duplicate address is detected on the local segment, this interface will be disabled and a warning message displayed on the console.
- The **no ipv6 enable** command does not disable IPv6 for an interface that has been explicitly configured with an IPv6 address.

Example

In this example, IPv6 is enabled on VLAN 1, and the link-local address FE80::2E0:CFF:FE00:FD/64 is automatically generated by the switch.

```
Console(config)#interface vlan 1
Console(config-if)#ipv6 enable
Console(config-if)#end
Console#show ipv6 interface
VLAN 1 is up
IPv6 is enabled
Link-local address:
  fe80::269:3ef9:fe19:6779%1/64
Global unicast address(es):
  2001:db8:0:1:7272:cfff:fe83:3466/64, subnet is 2001:db8:0:1::/64[EUI]
  2001:db8:2222:7272::72/96, subnet is 2001:db8:2222:7272::/96
Joined group address(es):
ff02::1:ff19:6779
ff02::1:ff00:72
ff02::1:ff83:3466
ff02::1
IPv6 link MTU is 1500 bytes
ND DAD is enabled, number of DAD attempts: 3.
ND retransmit interval is 1000 milliseconds
ND advertised retransmit interval is 0 milliseconds
ND reachable time is 30000 milliseconds
ND advertised reachable time is 0 milliseconds
ND advertised router lifetime is 1800 seconds
```

```
Console#
```

ipv6 mtu This command sets the size of the maximum transmission unit (MTU) for IPv6 packets sent on an interface. Use the **no** form to restore the default setting.

Syntax

```
ipv6 mtu size
```

```
no ipv6 mtu
```

size - Specifies the MTU size. (Range: 1280-65535 bytes)

Default Setting

1500 bytes

Command Mode

Interface Configuration (VLAN)

Command Usage

- If a non-default value is configured, an MTU option is included in the router advertisements sent from this device.
- The maximum value set by this command cannot exceed the MTU of the physical interface, which is currently fixed at 1500 bytes.
- IPv6 routers do not fragment IPv6 packets forwarded from other routers. However, traffic originating from an end-station connected to an IPv6 router may be fragmented.
- All devices on the same physical medium must use the same MTU in order to operate correctly.
- IPv6 must be enabled on an interface before the MTU can be set.

Example

The following example sets the MTU for VLAN 1 to 1280 bytes:

```
Console(config)#interface vlan 1  
Console(config-if)#ipv6 mtu 1280  
Console(config-if)#
```

show ipv6 interface This command displays the usability and configured settings for IPv6 interfaces.

Syntax

show ipv6 interface [**brief** [**vlan** *vlan-id* [*ipv6-prefix/prefix-length*]]]

brief - Displays a brief summary of IPv6 operational status and the addresses configured for each interface.

vlan-id - VLAN ID (Range: 1-4094)

ipv6-prefix - The IPv6 network portion of the address assigned to the interface. The prefix must be formatted according to RFC 2373 "IPv6 Addressing Architecture," using 8 colon-separated 16-bit hexadecimal values. One double colon may be used in the address to indicate the appropriate number of zeros required to fill the undefined fields.

prefix-length - A decimal value indicating how many of the contiguous bits (from the left) of the address comprise the prefix (i.e., the network portion of the address).

Command Mode

Privileged Exec

Example

This example displays all the IPv6 addresses configured for the switch.

```

Console#show ipv6 interface
VLAN 2 is down.
IPv6 is stale.
Link-local address:
  FE80::260:3EFF:FE11:6770/64[TEN]
Global unicast address(es):
  3FFE::1, subnet is 3FFE:0:0:0::/64[TEN]
  3FFE::212:CFFF:FE32:2120, subnet is 3FFE:0:0:0::/64[TEN]
Joined group address(es):
  FF01::1/16
  FF02::1/16
  FF02::1:FF00:1/104
  FF02::1:FF11:6770/104
  FF02::1:FF32:2120/104

IPv6 link MTU is 1500 bytes
ND DAD is enabled, number of DAD attempts: 1.
ND retransmit interval is 1000 milliseconds
ND advertised retransmit interval is 0 milliseconds
ND reachable time is 30000 milliseconds
ND advertised reachable time is 0 milliseconds
ND managed-config-flag: disabled
ND other-config-flag : disabled
ND ra suppress: disabled
Console#

```

This example displays a brief summary of IPv6 addresses configured on the switch.

```

Console#show ipv6 interface brief
Interface      Status      IPv6      IPv6 Address

```

```
-----  
VLAN 1      Up      Up      FE80::768E:F8FF:FE68:870  
VLAN 1      Up      Up      2001:1DB8:1111:2F3B:12AA:11FF:FE28:9C5A  
VLAN 2      Up      Down    Unassigned  
Craft      Up      Up      FE80::768E:F8FF:FE68:870  
  
Console#
```

show ipv6 mtu This command displays the maximum transmission unit (MTU) cache for destinations that have returned an ICMP packet-too-big message along with an acceptable MTU to this switch.

Command Mode

Normal Exec, Privileged Exec

Example

The following example shows the MTU cache for this device:

```
Console#show ipv6 mtu  
MTU      Since  Destination Address  
1400     00:04:21  5000:1::3  
1280     00:04:50  FE80::203:A0FF:FED6:141D  
Console#
```

show ipv6 traffic This command displays statistics about IPv6 traffic passing through this switch.

Command Mode

Privileged Exec

Example

The following example shows statistics for all IPv6 unicast and multicast traffic, as well as ICMP, UDP and TCP statistics:

```
Console#show ipv6 traffic  
IPv6 Statistics:  
IPv6 received  
3 total received  
header errors  
too big errors  
no routes  
address errors  
unknown protocols  
truncated packets  
discards  
delivers  
reassembly request datagrams  
reassembly succeeded  
reassembly failed  
  
IPv6 sent  
forwards datagrams  
6 requests
```

```

discards
no routes
generated fragments
fragment succeeded
fragment failed

ICMPv6 Statistics:
ICMPv6 received

input
errors
destination unreachable messages
packet too big messages
time exceeded messages
parameter problem message
echo request messages
echo reply messages
router solicit messages
router advertisement messages
neighbor solicit messages
neighbor advertisement messages
redirect messages
group membership query messages
group membership response messages
group membership reduction messages

ICMPv6 sent

6 output
destination unreachable messages
packet too big messages
time exceeded messages
parameter problem message
echo request messages
echo reply messages
3 router solicit messages
router advertisement messages
3 neighbor solicit messages
neighbor advertisement messages
redirect messages
group membership query messages
group membership response messages
group membership reduction messages

UDP Statistics:

input
no port errors
other errors
output

Console#

```

clear ipv6 traffic This command resets IPv6 traffic counters.

Command Mode

Privileged Exec

Command Usage

This command resets all of the counters displayed by the [show ipv6 traffic](#) command.

Example

```
Console#clear ipv6 traffic
Console#
```

ping6 This command sends (IPv6) ICMP echo request packets to another node on the network.

Syntax

ping6 {*ipv6-address* | *host-name*} [**count** *count*] [**size** *size*]

ipv6-address - The IPv6 address of a neighbor device. You can specify either a link-local or global unicast address formatted according to RFC 2373 "IPv6 Addressing Architecture," using 8 colon-separated 16-bit hexadecimal values. One double colon may be used in the address to indicate the appropriate number of zeros required to fill the undefined fields.

host-name - A host name string which can be resolved into an IPv6 address through a domain name server.

count - Number of packets to send. (Range: 1-1000000)

size - Number of bytes in a packet. (Range: 0-1500 bytes)

The actual packet size will be eight bytes larger than the size specified because the router adds header information.

Default Setting

count: 5

size: 32 bytes

Command Mode

Normal Exec, Privileged Exec

Command Usage

- Use the **ping6** command to see if another site on the network can be reached, or to evaluate delays over the path.
- The same link-local address may be used by different interfaces/nodes in different zones (RFC 4007). Therefore, when specifying a link-local address, include zone-id information indicating the VLAN identifier after the % delimiter. For example, FE80::7272%1 identifies VLAN 1 as the interface from which the ping is sent.
- When pinging a host name, be sure the DNS server has been enabled (see [page 784](#)). If necessary, local devices can also be specified in the DNS static host table (see [page 785](#)).

- When using `ping6` with a host name, the switch first attempts to resolve the alias into an IPv6 address before trying to resolve it into an IPv4 address.

Example

```

Console#ping6 FE80::2E0:CFF:FE00:FC%1
Press ESC to abort.
PING to FE80::2E0:CFF:FE00:FC%1/64, by 5 32-byte payload ICMP packets,
  timeout is 3 seconds
response time: 20 ms    [FE80::2E0:CFF:FE00:FC] seq_no: 1
response time: 0 ms    [FE80::2E0:CFF:FE00:FC] seq_no: 2
response time: 0 ms    [FE80::2E0:CFF:FE00:FC] seq_no: 3
response time: 0 ms    [FE80::2E0:CFF:FE00:FC] seq_no: 4
response time: 0 ms    [FE80::2E0:CFF:FE00:FC] seq_no: 5
Ping statistics for FE80::2E0:CFF:FE00:FC%1/64:
  5 packets transmitted, 5 packets received (100%), 0 packets lost (0%)
Approximate round trip times:
  Minimum = 0 ms, Maximum = 20 ms, Average = 4 ms
Console#

```

traceroute6 This command shows the route packets take to the specified destination.

Syntax

traceroute6 {*ipv6-address* | *host-name*} [**max-failures** *failure-count*]

ipv6-address - The IPv6 address of a neighbor device. You can specify either a link-local or global unicast address formatted according to RFC 2373 "IPv6 Addressing Architecture," using 8 colon-separated 16-bit hexadecimal values. One double colon may be used in the address to indicate the appropriate number of zeros required to fill the undefined fields.

host-name - A host name string which can be resolved into an IPv6 address through a domain name server.

failure-count - The maximum number of failures before which the trace route is terminated. (Range: 1-255)

Default Setting

Maximum failures: 5

Command Mode

Privileged Exec

Command Usage

- Use the **traceroute6** command to determine the path taken to reach a specified destination.
- The same link-local address may be used by different interfaces/nodes in different zones (RFC 4007). Therefore, when specifying a link-local address, include zone-id information indicating the VLAN identifier after the % delimiter.

For example, FE80::7272%1 identifies VLAN 1 as the interface from which the ping is sent.

- A trace terminates when the destination responds, when the maximum timeout (TTL) is exceeded, or the maximum number of hops is exceeded.
- The traceroute command first sends probe datagrams with the TTL value set at one. This causes the first router to discard the datagram and return an error message. The trace function then sends several probe messages at each subsequent TTL level and displays the round-trip time for each message. Not all devices respond correctly to probes by returning an “ICMP port unreachable” message. If the timer goes off before a response is returned, the trace function prints a series of asterisks and the “Request Timed Out” message. A long sequence of these messages, terminating only when the maximum timeout has been reached, may indicate this problem with the target device.

Example

```
Console#traceroute6 FE80::2E0:CFF:FE9C:CA10%1
Press "ESC" to abort.

Traceroute to FE80::2E0:CFF:FE9C:CA10%1/64, 30 hops max, timeout is 3
seconds, 5 max failure(s) before termination.

Hop Packet 1 Packet 2 Packet 3 IPv6 Address
-----
 1 <10 ms <10 ms <10 ms FE80::2E0:CFF:FE9C:CA10%1/64

Trace completed.
Console#
```

Neighbor Discovery

ipv6 hop-limit This command configures the maximum number of hops used in router advertisements that are originated by this router. Use the **no** form to restore the default setting.

Syntax

```
ipv6 hop-limit hops
```

```
no ipv6 hop-limit
```

hops - The maximum number of hops in router advertisements and all IPv6 packets. (Range: 1-255)

Default Setting

1

Command Mode

Global Configuration

Example

The following sets the hop limit for router advertisements to 64:

```
Console(config)#ipv6 hop-limit 64
Console(config)#
```

ipv6 neighbor This command configures a static entry in the IPv6 neighbor discovery cache. Use the **no** form to remove a static entry from the cache.

Syntax

ipv6 neighbor *ipv6-address* **vlan** *vlan-id* *hardware-address*

no ipv6 neighbor *ipv6-address* **vlan** *vlan-id*

ipv6-address - The IPv6 address of a neighbor device that can be reached through one of the network interfaces configured on this switch. You can specify either a link-local or global unicast address formatted according to RFC 2373 "IPv6 Addressing Architecture," using 8 colon-separated 16-bit hexadecimal values. One double colon may be used in the address to indicate the appropriate number of zeros required to fill the undefined fields.

vlan-id - VLAN ID (Range: 1-4094)

hardware-address - The 48-bit MAC layer address for the neighbor device. This address must be formatted as six hexadecimal pairs separated by hyphens.

Default Setting

None

Command Mode

Global Configuration

Command Usage

- Address Resolution Protocol (ARP) has been replaced in IPv6 with the Neighbor Discovery Protocol (NDP). The **ipv6 neighbor** command is similar to the **mac-address-table static** command that is implemented using ARP.
- Static entries can only be configured on an IPv6-enabled interface.
- The switch does not determine whether a static entry is reachable before placing it in the IPv6 neighbor discovery cache.
- If the specified entry was dynamically learned through the IPv6 neighbor discovery process, and already exists in the neighbor discovery cache, it is converted to a static entry. Static entries in the IPv6 neighbor discovery cache are not modified if subsequently detected by the neighbor discovery process.

- Disabling IPv6 on an interface with the `no ipv6 enable` command (see [page 843](#)) deletes all dynamically learned entries in the IPv6 neighbor discovery cache for that interface, but does not delete static entries.

Example

The following maps a static entry for global unicast address to a MAC address:

```
Console(config)#ipv6 neighbor 2009:DB9:2229::81 vlan 1 30-65-14-01-11-86
Console(config)#end
Console#show ipv6 neighbors
State: I1 - Incomplete, I2 - Invalid, R - Reachable, S - Stale, D - Delay,
      P1 - Probe, P2 - Permanent, U - Unknown
IPv6 Address          Age          Link-layer Addr   State   VLAN
2009:DB9:2229::80     956          12-34-11-11-43-21 R        1
2009:DB9:2229::81     Permanent    30-65-14-01-11-86 R        1
FE80::1034:11FF:FE11:4321 961          12-34-11-11-43-21 R        1
Console#
```

ipv6 nd dad attempts This command configures the number of consecutive neighbor solicitation messages sent on an interface during duplicate address detection. Use the `no` form to restore the default setting.

Syntax

`ipv6 nd dad attempts count`

`no ipv6 nd dad attempts`

count - The number of neighbor solicitation messages sent to determine whether or not a duplicate address exists on this interface. (Range: 0-600)

Default Setting

1

Command Mode

Interface Configuration (VLAN)

Command Usage

- Configuring a value of 0 disables duplicate address detection.
- Duplicate address detection determines if a new unicast IPv6 address already exists on the network before it is assigned to an interface.
- Duplicate address detection is stopped on any interface that has been suspended (see the `vlan` command). While an interface is suspended, all unicast IPv6 addresses assigned to that interface are placed in a “pending” state. Duplicate address detection is automatically restarted when the interface is administratively re-activated.

- An interface that is re-activated restarts duplicate address detection for all unicast IPv6 addresses on the interface. While duplicate address detection is performed on the interface's link-local address, the other IPv6 addresses remain in a "tentative" state. If no duplicate link-local address is found, duplicate address detection is started for the remaining IPv6 addresses.
- If a duplicate address is detected, it is set to "duplicate" state, and a warning message is sent to the console. If a duplicate link-local address is detected, IPv6 processes are disabled on the interface. If a duplicate global unicast address is detected, it is not used. All configuration commands associated with a duplicate address remain configured while the address is in "duplicate" state.
- If the link-local address for an interface is changed, duplicate address detection is performed on the new link-local address, but not for any of the IPv6 global unicast addresses already associated with the interface.

Example

The following configures five neighbor solicitation attempts for addresses configured on VLAN 1. The `show ipv6 interface` command indicates that the duplicate address detection process is still on-going.

```
Console(config)#interface vlan 1
Console(config-if)#ipv6 nd dad attempts 5
Console(config-if)#end
Console#show ipv6 interface
VLAN 1 is up
IPv6 is enabled.
Link-local address:
  fe80::269:3ef9:fe19:6779%1/64
Global unicast address(es):
  2001:db8:0:1:2e0:cff:fe02:fd/64, subnet is 2001:db8:0:1::/64[EUI]
  2001:db8:2222:7272::72/96, subnet is 2001:db8:2222:7272::/96
Joined group address(es):
ff02::2
ff02::1:ff19:6779
ff02::1:ff00:0
ff02::1:ff00:72
ff02::1:ff02:fd
ff02::1:2
ff02::1
IPv6 link MTU is 1500 bytes
ND DAD is enabled, number of DAD attempts: 5.
ND retransmit interval is 1000 milliseconds
ND advertised retransmit interval is 0 milliseconds
ND reachable time is 30000 milliseconds
ND advertised reachable time is 0 milliseconds
ND advertised router lifetime is 1800 seconds

Console#
```

ipv6 nd managed-config-flag This command configures IPv6 router advertisements to indicate to attached hosts that they can use stateful autoconfiguration to obtain addresses. Use the **no** form to clear this flag from router advertisements.

Syntax

```
[no] ipv6 nd managed-config-flag
```

Default Setting

Disabled

Command Mode

Interface Configuration (VLAN)

Command Usage

- The “managed-address configuration” flag tells hosts that they should use stateful autoconfiguration to obtain addresses from a DHCPv6 server.
- The **ipv6 nd other-config-flag** command is used to tell hosts that they should use stateless address autoconfiguration to get IPv6 address (based on the IPv6 prefixes found in router advertisements) and stateful autoconfiguration to get other non-address parameters (such as DNS server addresses) from DHCPv6 servers.
- The absence of the “managed-address configuration” flag tells hosts to use only stateless address autoconfiguration (based on IPv6 prefixes found in router advertisements).
- The “managed address configuration” flag is only a suggestion to attached hosts. They may still use stateful and/or stateless address autoconfiguration. If hosts must be forced to use DHCPv6 for security reasons, ensure that no route prefixes are sent in router advertisements.

Example

The following tells hosts to use stateful autoconfiguration to obtain addresses:

```
Console(config)#interface vlan 1
Console(config)#ipv6 nd managed-config-flag
Console(config)#
```

ipv6 nd other-config-flag This command configures IPv6 router advertisements to indicate to attached hosts that they can obtain stateful autoconfiguration information other than addresses. Use the **no** form to clear this flag from router advertisements.

Syntax

```
[no] ipv6 nd other-config-flag
```

Default Setting

Disabled

Command Mode

Interface Configuration (VLAN)

Command Usage

- The “other-stateful-configuration” flag tells hosts that they should use stateful autoconfiguration to obtain information other than addresses from a DHCPv6 server.
- Some hosts interpret the “other stateful configuration” flag to indicate that they should use stateless address autoconfiguration to get IPv6 address (based on the IPv6 prefixes found in router advertisements) and stateful autoconfiguration to get other non-address parameters from DHCPv6 servers. In this case, the absence of both the “managed address configuration” flag and the “other stateful configuration” flag is interpreted to mean that they should use only stateless autoconfiguration to obtain addresses.

Example

The following tells hosts to use stateful autoconfiguration to obtain other non-address information from a DHCPv6 server:

```
Console(config)#interface vlan 1
Console(config)#ipv6 nd other-config-flag
Console(config)#
```

ipv6 nd ns-interval This command configures the interval between transmitting IPv6 neighbor solicitation messages on an interface. Use the **no** form to restore the default value.

Syntax

ipv6 nd ns-interval *milliseconds*

no ipv6 nd ns-interval

milliseconds - The interval between transmitting IPv6 neighbor solicitation messages. (Range: 1000-3600000)

Default Setting

1000 milliseconds is used for neighbor discovery operations

0 milliseconds is advertised in router advertisements

Command Mode

Interface Configuration (VLAN)

Command Usage

- When a non-default value is configured, the specified interval is used both for router advertisements and by the router itself.

- This command specifies the interval between transmitting neighbor solicitation messages when resolving an address, or when probing the reachability of a neighbor. Therefore, avoid using very short intervals for normal IPv6 operations.
- Setting the neighbor solicitation interval to 0 means that the configured time is unspecified by this router. Setting the neighbor solicitation interval to 0 means that the configured time is unspecified by this router.

Example

The following sets the interval between sending neighbor solicitation messages to 30000 milliseconds:

```
Console(config)#interface vlan 1
Console(config)#ipv6 nd ns-interval 30000
Console(config)#end
Console#show ipv6 interface
VLAN 1 is up
IPv6 is enabled.
Link-local address:
  fe80::269:3ef9:fe19:6779%1/64
Global unicast address(es):
  2001:db8:0:1:2e0:cff:fe02:fd/64, subnet is 2001:db8:0:1::/64[EUI][EUI]
  2001:db8:2222:7272::72/96, subnet is 2001:db8:2222:7272::/96
Joined group address(es):
  ff02::2
  ff02::1:ff19:6779
  ff02::1:ff00:0
  ff02::1:ff00:72
  ff02::1:ff02:fd
  ff02::1:2
  ff02::1
IPv6 link MTU is 1500 bytes
ND DAD is enabled, number of DAD attempts: 5.
ND retransmit interval is 30000 milliseconds
ND advertised retransmit interval is 30000 milliseconds
ND reachable time is 30000 milliseconds
ND advertised reachable time is 0 milliseconds
ND advertised router lifetime is 1800 seconds

Console#
```

ipv6 nd raguard This command blocks incoming Router Advertisement and Router Redirect packets. Use the no form to disable this feature.

Syntax

[no] ipv6 nd raguard

Default Setting

Disabled

Command Mode

Interface Configuration (Ethernet, Port Channel)

Command Usage

- IPv6 Router Advertisements (RA) convey information that enables nodes to auto-configure on the network. This information may include the default router address taken from the observed source address of the RA message, as well as on-link prefix information. However, unintended mis-configurations, or possibly malicious attacks on the network, may lead to bogus RAs being sent, which in turn can cause operational problems for hosts on the network.
- This command can be used to block RAs and Router Redirect (RR) messages on the specified interface. Determine which interfaces are connected to known routers, and enable RA Guard on all other untrusted interfaces.

Example

```
Console(config)#interface ethernet 1/1
Console(config-if)#ipv6 nd raguard
Console(config-if)#
```

show ipv6 nd raguard This command displays the configuration setting for RA Guard.

Syntax

```
show ipv6 nd raguard [interface]
```

interface

ethernet *unit/port*

unit - Unit identifier.

port - Port number.

port-channel *channel-id*

Command Mode

Privileged Exec

Example

```
Console#show ipv6 nd raguard interface ethernet 1/1
Interface RA Guard
-----
Eth 1/ 1  Yes
Console#
```

ipv6 nd reachable-time This command configures the amount of time that a remote IPv6 node is considered reachable after some reachability confirmation event has occurred. Use the **no** form to restore the default setting.

Syntax

ipv6 nd reachable-time *milliseconds*

no ipv6 nd reachable-time

milliseconds - The time that a node can be considered reachable after receiving confirmation of reachability. (Range: 0-3600000)

Default Setting

30000 milliseconds is used for neighbor discovery operations

0 milliseconds is advertised in router advertisements

Command Mode

Interface Configuration (VLAN)

Command Usage

- The time limit configured by this parameter allows the router to detect unavailable neighbors. During the neighbor discover process, an IPv6 node will multicast neighbor solicitation messages to search for neighbor nodes. For a neighbor node to be considered reachable, it must respond to the neighbor soliciting node with a neighbor advertisement message to become a confirmed neighbor, after which the reachable timer will be considered in effect for subsequent unicast IPv6 layer communications.
- This time limit is included in all router advertisements sent out through an interface, ensuring that nodes on the same link use the same time value.
- Setting the time limit to 0 means that the configured time is unspecified by this router.

Example

The following sets the reachable time for a remote node to 1000 milliseconds:

```
Console(config)#interface vlan 1
Console(config-if)ipv6 nd reachable-time 1000
Console(config-if)#
```

ipv6 nd prefix This command configures the IPv6 prefixes to include in router advertisements. Use the **no** form to remove a prefix.

Syntax

```
ipv6 nd prefix ipv6-address/prefix-length {default |  
[valid-lifetime preferred-lifetime [no-autoconfig | off-link]]}
```

```
no ipv6 nd prefix ipv6-address/prefix-length
```

ipv6-address - An IPv6 address including the network prefix and host address bits.

prefix-length - A decimal value indicating how many contiguous bits (from the left) of the address comprise the prefix (i.e., the network portion of the address).

default - Uses default values for remaining parameters.

valid-lifetime - The amount of time that the specified IPv6 prefix is advertised as being valid. (Range: 0-4294967295 seconds)

preferred-lifetime - The amount of time that the specified IPv6 prefix is advertised as being preferred. The preferred lifetime is counted down in real time. (Range: 0-4294967295 seconds)

no-autoconfig - Indicates to hosts on the local link that the specified prefix cannot be used for IPv6 autoconfiguration.

off-link - Indicates that the specified prefix is assigned to the link. Nodes sending traffic to addresses that contain the prefix consider the destination to be locally reachable on the link.

Default Setting

<i>valid-lifetime</i>	2592000 seconds
<i>preferred-lifetime</i>	2592000 seconds
<i>no-autoconfig</i>	Disabled
<i>off-link</i>	Disabled

Command Mode

Interface Configuration (VLAN)

Command Usage

- Prefixes configured as addresses on an interface using the [ipv6 address](#) command are advertised in router advertisements. If prefixes are configured for advertisement using the **ipv6 nd prefix** command, then only these prefixes are advertised.
- The preferred lifetime and valid lifetime are counted down in real time. After the preferred lifetime expires, no new connections are made using this prefix. When the valid lifetime expires, this prefix will no longer be advertised.

- All prefixes are inserted in the routing table as Connected (i.e., on-line), unless specified with the off-link option. If the off-link option is specified, and the prefix is already present in the routing table as a Connected prefix, it will be removed.
- Do not include the link-local prefix in the list of advertised prefixes.

Example

The following configures a network prefix with a valid lifetime of 1000 seconds, and a preferred lifetime of 900 seconds:

```
Console(config)#interface vlan 1
Console(config)#ipv6 nd prefix 2011:0DBF::/35 1000 900
Console(config)#
```

ipv6 nd ra interval This command configures the interval between the transmission of IPv6 router advertisements on an interface. Use the **no** form to restore the default interval.

Syntax

ipv6 nd ra interval *minimum-interval* [*maximum-interval*]

no ipv6 nd ra interval

minimum-interval - The maximum interval between IPv6 router advertisements. (Range: 4-1800 seconds)

maximum-interval - The minimum interval between IPv6 router advertisements. (Range: 3-1350 seconds)

Command Mode

Interface Configuration (VLAN)

Default Setting

maximum interval: 600 seconds

minimum interval: 198 seconds

Command Usage

- The interval between transmissions should be less than or equal to the IPv6 router advertisement lifetime if you configure a route as a default router by using the [ipv6 nd ra lifetime](#) command.
- To prevent synchronization with other IPv6 nodes, the actual interval used is randomly selected from a value between the minimum value set by the system (33% of the maximum RA interval) and the maximum value set by the **ipv6 nd ra interval** command.

Example

The following sets the maximum RA interval to 1800 seconds:

```
Console(config)#interface vlan 1
Console(config)#ipv6 nd ra interval 1800
Console(config)#
```

ipv6 nd ra lifetime This command configures the router lifetime value used in IPv6 router advertisements sent from an interface. Use the **no** form to restore the default setting.

Syntax

ipv6 nd ra lifetime *lifetime*

no ipv6 nd ra lifetime

lifetime - Router lifetime. (Range: 0-90000 seconds)

Command Mode

Interface Configuration (VLAN)

Default Setting

1800 seconds

Command Usage

- This command can be used to indicate the usefulness of this router as a default router on this interface.
- Set the router lifetime to 0 to indicate that this router should not be considered a default router. Set the lifetime to a non-zero value to indicate that it should be considered a default router. When a non-zero value is used, the lifetime should not be less than the router advertisement interval.

Example

The following sets the router lifetime to 8000 seconds:

```
Console(config)#interface vlan 1
Console(config)#ipv6 nd ra lifetime 8000
Console(config)#
```

ipv6 nd ra router-preference This command configures the default router preference for the router on an interface. Use the **no** form to restore the default setting.

Syntax

```
ipv6 nd ra router-preference {high | medium | low}
```

```
no ipv6 nd ra router-preference
```

high - Preference for the router is high.

medium - Preference for the router is medium.

low - Preference for the router is low.

Command Mode

Interface Configuration (VLAN)

Default Setting

medium

Command Usage

Default router preference may be used to prioritize routers which provide equivalent, but not equal-cost, routing, and policy dictates that hosts should prefer one of the routers.

Example

The following sets the default router preference to high:

```
Console(config)#interface vlan 1
Console(config)#ipv6 nd ra router-preference high
Console(config)#
```

ipv6 nd ra suppress This command suppresses router advertisement transmissions on an interface. Use the **no** form to re-enable router advertisements.

Syntax

```
[no] ipv6 nd ra suppress
```

Command Mode

Interface Configuration (VLAN, IPv6/v4 Tunnel)

Default Setting

Not suppressed

Command Usage

This command suppresses periodic unsolicited router advertisements. It does not suppress advertisements sent in response to a router solicitation.

Example

The following suppresses router advertisements on the current interface:

```
Console(config)#interface vlan 1
Console(config)#ipv6 nd ra suppress
Console(config)#
```

clear ipv6 neighbors This command deletes all dynamic entries in the IPv6 neighbor discovery cache.

Command Mode

Privileged Exec

Example

The following deletes all dynamic entries in the IPv6 neighbor cache:

```
Console#clear ipv6 neighbors
Console#
```

show ipv6 neighbors This command displays information in the IPv6 neighbor discovery cache.

Syntax

show ipv6 neighbors [*vlan* *vlan-id* | *ipv6-address*]

vlan-id - VLAN ID (Range: 1-4094)

ipv6-address - The IPv6 address of a neighbor device. You can specify either a link-local or global unicast address formatted according to RFC 2373 "IPv6 Addressing Architecture," using 8 colon-separated 16-bit hexadecimal values. One double colon may be used in the address to indicate the appropriate number of zeros required to fill the undefined fields.

Default Setting

All IPv6 neighbor discovery cache entries are displayed.

Command Mode

Privileged Exec

Example

The following shows all known IPv6 neighbors for this switch:

```
Console#show ipv6 neighbors
State: I1 - Incomplete, I2 - Invalid, R - Reachable, S - Stale, D - Delay,
       P1 - Probe, P2 - Permanent, U - Unknown
IPv6 Address                               Age  Link-layer Addr  State Interface
-----
```

```
FE80::2E0:CFF:FE9C:CA10          4    00-E0-0C-9C-CA-10 R    1  
Console#
```

show ipv6 nd prefix This command displays IPv6 prefixes in neighbor discovery router advertisements.

Syntax

```
show ipv6 nd prefix vlan vlan-id  
vlan-id - VLAN ID (Range: 1-4094)
```

Default Setting

All IPv6 prefixes for the specified VLAN are displayed.

Command Mode

Privileged Exec

Example

The following shows all neighbor discovery IPv6 prefixes for VLAN 1:

```
Console#show ipv6 nd prefix vlan 1  
Ipv6 Neighbor Discovery Prefix Information.  
  
VLAN Name           : DefaultVlan  
  
  IPv6 Prefix       : 2011:dbf::/35  
  Valid Lifetime   : 2592000  
  Preferred Lifetime : 604800  
  On-link Flag     : On  
  Autonomous Flag  : On  
  
Console#
```

ND Snooping

Neighbor Discover (ND) Snooping maintains an IPv6 prefix table and user address binding table. These tables can be used for stateless address auto-configuration or for address filtering by IPv6 Source Guard.

ND snooping maintains a binding table in the process of neighbor discovery. When it receives an Neighbor Solicitation (NS) packet from a host, it creates a new binding. If it subsequently receives a Neighbor Advertisement (NA) packet, this means that the address is already being used by another host, and the binding is therefore deleted. If it does not receive an NA packet after a timeout period, the binding will be bound to the original host. ND snooping can also maintain a prefix table used for stateless address auto-configuration by monitoring Router Advertisement (RA) packets sent from neighboring routers.

ND snooping can also detect if an IPv6 address binding is no longer valid. When a binding has been timed out, it checks to see if the host still exists by sending an NS packet to the target host. If it receives an NA packet in response, it knows that the target still exists and updates the lifetime of the binding; otherwise, it deletes the binding.

This section describes commands used to configure ND Snooping.

Table 130: ND Snooping Commands

Command	Function	Mode
<code>ipv6 nd snooping</code>	Enables ND snooping globally or on a specified VLAN or range of VLANs	GC
<code>ipv6 nd snooping auto-detect</code>	Enables automatic validation of binding table entries by periodically sending NS messages and awaiting NA replies	GC
<code>ipv6 nd snooping auto-detect retransmit count</code>	Sets the number of times to send an NS message to determine if a binding is still valid	GC
<code>ipv6 nd snooping auto-detect retransmit interval</code>	Sets the interval between sending NS messages to determine if a binding is still valid	GC
<code>ipv6 nd snooping prefix timeout</code>	Sets the time to wait for an RA message before deleting an entry in the prefix table	GC
<code>ipv6 nd snooping max-binding</code>	Sets the maximum number of address entries which can be bound to a port	IC
<code>ipv6 nd snooping trust</code>	Configures a port as a trusted interface from which prefix information in RA messages can be added to the prefix table, or NS messages can be forwarded without validation	IC
<code>clear ipv6 nd snooping binding</code>	Clears all entries in the address binding table	PE
<code>clear ipv6 nd snooping prefix</code>	Clears all entries in the prefix table	PE
<code>show ipv6 nd snooping</code>	Shows configuration settings for ND snooping	PE
<code>show ipv6 nd snooping binding</code>	Shows entries in the binding table	PE
<code>show ipv6 nd snooping prefix</code>	Show entries in the prefix table	PE

ipv6 nd snooping This command enables ND snooping globally or on a specified VLAN or range of VLANs. Use the **no** form to disable this feature.

Syntax

`[no] ipv6 nd snooping [vlan {vlan-id | vlan-range}]`

vlan-id - VLAN ID. (Range: 1-4094)

vlan-range - A consecutive range of VLANs indicated by the use a hyphen, or a random group of VLANs with each entry separated by a comma.

Default Setting

Disabled

Command Mode

Global Configuration

Command Usage

- Use this command without any keywords to enable ND snooping globally on the switch. Use the VLAN keyword to enable ND snooping on a specific VLAN or a range of VLANs.
- Once ND snooping is enabled both globally and on the required VLANs, the switch will start monitoring RA messages to build an address prefix table as described below:
 - If an RA message is received on an untrusted interface, it is dropped. If received on a trusted interface, the switch adds an entry in the prefix table according to the Prefix Information option in the RA message. The prefix table records prefix, prefix length, valid lifetime, as well as the VLAN and port interface which received the message.
 - If an RA message is not received updating a table entry with the same prefix for a specified timeout period, the entry is deleted.
- Once ND snooping is enabled both globally and on the required VLANs, the switch will start monitoring NS messages to build a dynamic user binding table for use in Duplicate Address Detection (DAD) or for use by other security filtering protocols (e.g., IPv6 Source Guard) as described below:
 - If an NS message is received on an trusted interface, it is forwarded without further processing.
 - If an NS message is received on an untrusted interface, and the address prefix does not match any entry in the prefix table, it drops the packet.
 - If the message does match an entry in the prefix table, it adds an entry to the dynamic user binding table after a fixed delay, and forwards the packet. Each entry in the dynamic binding table includes the link-layer address, IPv6 address, lifetime, as well as the VLAN and port interface which received the message.
 - If an RA message is received in response to the original NS message (indicating a duplicate address) before the dynamic binding timeout period expires, the entry is deleted. Otherwise, when the timeout expires, the entry is dropped if the auto-detection process is not enabled.
 - If the auto-detection process is enabled, the switch periodically sends an NS message to determine is the client still exists. If it does not receive an RA message in response after the configured timeout, the entry is dropped. If the switch receives an RA message before the timeout expires, it resets the lifetime for the dynamic binding, and the auto-detection process resumes.

Example

This example enables ND snooping globally and on VLAN 1.

```
Console(config)#ipv6 nd snooping
Console(config)#ipv6 nd snooping vlan 1
Console(config)#
```

ipv6 nd snooping auto-detect

This command enables automatic validation of dynamic user binding table entries by periodically sending NS messages and awaiting NA replies. Use the **no** form to disable this feature.

Syntax

```
[no] ipv6 nd snooping auto-detect
```

Default Setting

Disabled

Command Mode

Global Configuration

Command Usage

If auto-detection is enabled, the switch periodically sends an NS message to determine if a client listed in the dynamic binding table still exists. If it does not receive an RA message in response after the configured timeout, the entry is dropped. If the switch receives an RA message before the timeout expires, it resets the lifetime for the dynamic binding, and the auto-detection process resumes.

Example

```
Console(config)#ipv6 nd snooping auto-detect
Console(config)#
```

ipv6 nd snooping auto-detect retransmit count

This command sets the number of times the auto-detection process sends an NS message to determine if a dynamic user binding is still valid. Use the **no** form to restore the default setting.

Syntax

```
ipv6 nd snooping auto-detect retransmit count retransmit-times
```

```
no ipv6 nd snooping auto-detect retransmit count
```

retransmit-times – The number of times to send an NS message to determine if a client still exists. (Range: 1-5)

Default Setting

3

Command Mode

Global Configuration

Command Usage

The timeout after which the switch will delete a dynamic user binding if no RA message is received is set to the retransmit count x the retransmit interval (see the [ipv6 nd snooping auto-detect retransmit interval](#) command). Based on the default settings, this is 3 seconds.

Example

```
Console(config)#ipv6 nd snooping auto-detect retransmit count 5  
Console(config)#
```

ipv6 nd snooping auto-detect retransmit interval

This command sets the interval between which the auto-detection process sends NS messages to determine if a dynamic user binding is still valid. Use the **no** form to restore the default setting.

Syntax

```
ipv6 nd snooping auto-detect retransmit interval retransmit-interval  
no ipv6 nd snooping auto-detect retransmit interval
```

retransmit-interval – The interval between which the switch sends an NS message to determine if a client still exists. (Range: 1-10 seconds)

Default Setting

1 second

Command Mode

Global Configuration

Command Usage

The timeout after which the switch will delete a dynamic user binding if no RA message is received is set to the retransmit count (see the [ipv6 nd snooping auto-detect retransmit count](#) command) x the retransmit interval. Based on the default settings, this is 3 seconds.

Example

```
Console(config)#ipv6 nd snooping auto-detect retransmit interval 5  
Console(config)#
```

ipv6 nd snooping prefix timeout This command sets the time to wait for an RA message before deleting an entry in the prefix table. Use the **no** form to restore the default setting.

Syntax

ipv6 nd snooping prefix timeout *timeout*

no ipv6 nd snooping prefix timeout

timeout – The time to wait for an RA message to confirm that a prefix entry is still valid. (Range: 3-1800 seconds)

Default Setting

None set

Command Mode

Global Configuration

Command Usage

If ND snooping is enabled and an RA message is received on a trusted interface, the switch will add an entry in the prefix table based upon the Prefix Information contained in the message. If an RA message is not received for a table entry with the same prefix for the specified timeout period, the entry is deleted.

Example

```
Console(config)#ipv6 nd snooping prefix timeout 200
Console(config)#
```

ipv6 nd snooping max-binding This command sets the maximum number of address entries in the dynamic user binding table which can be bound to a port. Use the **no** form to restore the default setting.

Syntax

ipv6 nd snooping max-binding *max-bindings*

no ipv6 nd snooping max-binding

max-bindings – The maximum number of address entries in the dynamic user binding table which can be bound to a port. (Range: 1-5)

Default Setting

5

Command Mode

Interface Configuration (Ethernet, Port Channel)

Example

```
Console(config)#interface ethernet 1/12
Console(config-if)#ipv6 nd snooping max-binding 5
Console(config-if)#
```

ipv6 nd snooping trust This command configures a port as a trusted interface from which prefix information in RA messages can be added to the prefix table, or NS messages can be forwarded without validation. Use the **no** form to restore the default setting.

Syntax

[no] ipv6 nd snooping trust

Default Setting

Not trusted

Command Mode

Interface Configuration (Ethernet, Port Channel)

Command Usage

- In general, interfaces facing toward to the network core, or toward routers supporting the Network Discovery protocol, are configured as trusted interfaces.
- RA messages received from a trusted interface are added to the prefix table and forwarded toward their destination.
- NS messages received from a trusted interface are forwarded toward their destination. Nothing is added to the dynamic user binding table.

Example

```
Console(config)#interface ethernet 1/1
Console(config-if)#ipv6 nd snooping trust
Console(config-if)#
```

clear ipv6 nd snooping binding This command clears all entries in the dynamic user address binding table.

Syntax

clear ipv6 nd snooping binding

Command Mode

Privileged Exec

Example

```

Console#clear ipv6 nd snooping binding
Console#show ipv6 nd snooping binding
MAC Address      IPv6 Address                               Lifetime      VLAN Interface
-----
Console#

```

clear ipv6 nd snooping prefix

This command clears all entries in the address prefix table.

Syntax

clear ipv6 nd snooping prefix [interface vlan *vlan-id*]

vlan-id - VLAN ID. (Range: 1-4094)

Command Mode

Privileged Exec

Example

```

Console#clear ipv6 nd snooping prefix
Console#show ipv6 nd snooping prefix
Prefix entry timeout: (seconds)
Prefix                               Len Valid-Time Expire      VLAN Interface
-----
Console#

```

show ipv6 nd snooping

This command shows the configuration settings for ND snooping.

Syntax

show ipv6 nd snooping

Command Mode

Privileged Exec

Example

```

Console#show ipv6 nd snooping
Global ND Snooping status: enabled
ND Snooping auto-detection: disabled
ND Snooping auto-detection retransmit count: 3
ND Snooping auto-detection retransmit interval: 1 (second)
ND Snooping is configured on the following VLANs:
VLAN 1,
Interface      Trusted      Max-binding
-----
Eth 1/1        Yes          1
Eth 1/2        No           5
Eth 1/3        No           5
Eth 1/4        No           5
Eth 1/5        No           5

```

:

show ipv6 nd snooping binding

This command shows all entries in the dynamic user binding table.

Syntax

```
show ipv6 nd snooping binding
```

Command Mode

Privileged Exec

Example

```
Console#show ipv6 nd snooping binding
MAC Address      IPv6 Address                               Lifetime  VLAN Interface
-----
0013-49aa-3926  2001:b001::211:95ff:fe84:cb9e             100      1 Eth 1/1
0012-cf01-0203  2001::1                                   3400     2 Eth 1/2
Console#
```

show ipv6 nd snooping prefix

This command shows all entries in the address prefix table.

Syntax

```
show ipv6 nd snooping prefix [interface vlan vlan-id]
```

vlan-id - VLAN ID. (Range: 1-4094)

Command Mode

Privileged Exec

Example

```
Console#show ipv6 nd snooping prefix
Prefix entry timeout: 100 (second)
Prefix
-----
2001:b000::      Len Valid-Time Expire      VLAN Interface
2001::           64   2592000   100   1 Eth 1/1
2001::           64     600     34    2 Eth 1/2
Console#
```


34

IP Routing Commands

After network interfaces are configured for the switch, the paths used to send traffic between different interfaces must be set. To forward traffic to devices on other subnetworks, configure fixed paths with static routing commands. This section includes commands for static routing. These commands are used to connect between different local subnetworks or to connect the router to the enterprise network.

Table 188: IP Routing Commands

Command Group	Function
Global Routing Configuration	Configures global parameters for static routing, displays the routing table

Global Routing Configuration

Table 189: Global Routing Configuration Commands

Command	Function	Mode
<i>IPv4 Commands</i>		
ip route	Configures static routes	GC
show ip route	Displays entries in the routing table	PE
show ip host-route	Displays the interface associated with known routes	PE
show ip route database	Displays static or dynamically learned entries in the routing table	PE
show ip route summary	Displays summary information for the routing table	PE
show ip traffic	Displays statistics for IP, ICMP, UDP, TCP and ARP protocols	PE
<i>IPv6 Commands</i>		
ipv6 route	Configures static routes	GC
show ipv6 route	Displays specified entries in the routing table	PE
<i>ECMP Commands</i>		
maximum-paths	Sets the maximum number of paths allowed	GC

IPv4 Commands

ip route This command configures static routes. Use the **no** form to remove static routes.

Syntax

ip route *destination-ip netmask* {*next-hop* [*distance*] | **null0**}

no ip route {*destination-ip netmask* [*next-hop* | **null0**] | *}

destination-ip – IP address of the destination network, subnetwork, or host.

netmask - Network mask for the associated IP subnet. This mask identifies the host address bits used for routing to specific subnets.

next-hop – IP address of the next hop router used for this route.

distance – An administrative distance indicating that this route can be overridden by dynamic routing information if the distance of the dynamic route is less than that configured for the static route. Note that the default administrative distances used by the dynamic unicast routing protocols is 120 for RIP, 20 for eBGP, and 200 for iBGP. (Range: 1-255, Default: 1)

null0 – Keyword for specifying a null interface.

* – Removes all static routing table entries.

Default Setting

No static routes are configured.

Command Mode

Global Configuration

Command Usage

- Up to 1024 static routes can be configured.
- If an administrative distance is defined for a static route, and the same destination can be reached through a dynamic route at a lower administration distance, then the dynamic route will be used.
- A null interface never forwards or receives traffic. Packets routed to a null interface are dropped.
- Up to eight equal-cost multipaths (ECMP) can be configured for static routing using the [maximum-paths](#) command.

Example

This example forwards all traffic for subnet 192.168.1.0 to the gateway router 192.168.5.254, using the default metric of 1.

```
Console(config)#ip route 192.168.1.0 255.255.255.0 192.168.5.254
Console(config)#
```

show ip route This command displays information in the Forwarding Information Base (FIB).

Syntax

show ip route [**connected** | **database** | **static** | **summary**]

connected – Displays all currently connected entries.

database – All known routes, including inactive routes. See [show ip route database](#).

static – Displays all static entries.

summary – Displays a brief list of summary information about entries in the routing table, including the maximum number of entries supported, the number of connected routes, the total number of routes currently stored in the routing table, and the number of entries in the FIB. See [show ip route summary](#).

Command Mode

Privileged Exec

Command Usage

- The FIB contains information required to forward IP traffic. It contains the interface identifier and next hop information for each reachable destination network prefix based on the IP routing table. When routing or topology changes occur in the network, the routing table is updated, and those changes are immediately reflected in the FIB.

The FIB is distinct from the routing table (or, Routing Information Base), which holds all routing information received from routing peers. The forwarding information base contains unique paths only. It does not contain any secondary paths. A FIB entry consists of the minimum amount of information necessary to make a forwarding decision on a particular packet. The typical components within a forwarding information base entry are a network prefix, a router port identifier, and next hop information.

- This command only displays routes which are currently accessible for forwarding. The router must be able to directly reach the next hop, so the VLAN interface associated with any static route entry must be up. Note that routes currently not accessible for forwarding, may still be displayed by using the [show ip route database](#) command.

Example

```

Console#show ip route
Codes: K - kernel route, C - connected, S - static, T - Table,
       > - selected route, * - FIB route, q - queued, r - rejected, b - backup
       t - trapped, o - offload failure

S*      0.0.0.0/0 [1/0] via 192.168.2.1, VLAN1
C       192.168.2.0/24 is directly connected, VLAN1
Console#

```

The RIB contains all available routes learned through directly attached networks, and any additionally configured routes such as static routes. The RIB contains the set of all available routes from which optimal entries are selected for use by the Forwarding Information Base (see Command Usage under the [show ip route](#) command).

```
Console#show ip route database
Codes: K - kernel route, C - connected, S - static, T - Table,
       > - selected route, * - FIB route, q - queued, r - rejected, b - backup
       t - trapped, o - offload failure

S    *> 0.0.0.0/0 [1/0] via 192.168.2.1, VLAN1
C    *> 192.168.2.0/24 is directly connected, VLAN1
Console#
```

In the following example, the numeric identifier following the routing table name (0) indicates the Forwarding Information Base identifier.

```
Console#show ip route summary
Route Source      Routes      FIB (vrf default)
connected         1           1
static            1           1
-----
Totals            2           2
Console#
```

show ip host-route This command displays the interface associated with known routes.

Syntax

```
show ip host-route
```

Command Mode

Privileged Exec

Example

```
Console#show ip host-route
IP Address      MAC Address      VLAN Port
-----
192.168.0.99    00-E0-29-94-34-64  1 1/1
192.168.1.250   00-00-30-01-01-01  3 1/ 1
10.2.48.2       00-00-30-01-01-02  1 1/ 1
10.2.5.6        00-00-30-01-01-03  1 1/ 2
10.3.9.1        00-00-30-01-01-04  2 1/ 3

Console#
```

show ip route database This command displays entries in the Routing Information Base (RIB).

Command Mode

Privileged Exec

Command Usage

The RIB contains all available routes learned through dynamic routing protocols, directly attached networks, and any additionally configured routes such as static routes. The RIB contains the set of all available routes from which optimal entries are selected for use by the Forwarding Information Base (see Command Usage under the [show ip route](#) command).

Example

```
Console#show ip route database
Codes: K - kernel route, C - connected, S - static, T - Table,
       > - selected route, * - FIB route, q - queued, r - rejected, b - backup
       t - trapped, o - offload failure

C    *> 127.0.0.0/8 is directly connected, lo0
C    *> 192.168.1.0/24 is directly connected, VLAN1

Console#
```

show ip route summary This command displays summary information for the routing table.

Command Mode

Privileged Exec

Example

In the following example, the numeric identifier following the routing table name (0) indicates the Forwarding Information Base (FIB) identifier.

```
Console#show ip route summary
Route Source      Routes      FIB (vrf default)
connected         1           1
static            1           1
-----
Totals            2           2
Console#
```

show ip traffic This command displays statistics for IP, ICMP, UDP, TCP and ARP protocols.

Command Mode

Privileged Exec

Example

```
Console#show ip traffic
IP Statistics:
IP received
    4877 total received
        header errors
        unknown protocols
        address errors
        discards
    4763 delivers
        reassembly request datagrams
        reassembled succeeded
        reassembled failed
IP sent
    forwards datagrams
    5927 requests
        discards
        no routes
        generated fragments
        fragment succeeded
        fragment failed
ICMP Statistics:
ICMP received
    input
    errors
    destination unreachable messages
    time exceeded messages
    parameter problem message
    echo request messages
    echo reply messages
    redirect messages
    timestamp request messages
    timestamp reply messages
    source quench messages
    address mask request messages
    address mask reply messages
ICMP sent
    output
    errors
    destination unreachable messages
    time exceeded messages
    parameter problem message
    echo request messages
    echo reply messages
    redirect messages
    timestamp request messages
    timestamp reply messages
    source quench messages
    address mask request messages
    address mask reply messages
UDP Statistics:
    2 input
        no port errors
        other errors
        output
TCP Statistics:
    4698 input
        input errors
    5867 output

Console#
```

IPv6 Commands

ipv6 route This command configures static IPv6 routes. Use the **no** form to remove static routes.

Syntax

```
[no] ipv6 route destination-ipv6-address/prefix-length  
{gateway-address [distance] |  
link-local-address%zone-id [distance]}
```

destination-ipv6-address – The IPv6 address of a destination network, subnetwork, or host. This must be a full IPv6 address including the network prefix and host address bits.

prefix-length - A decimal value indicating how many contiguous bits (from the left) of the address comprise the prefix (i.e., the network portion of the address).

gateway-address – IP address of the next hop router used for this route.

link-local-address%zone-id – a link-local address, including a zone-id indicating the VLAN identifier after the % delimiter.

distance – An administrative distance indicating that this route can be overridden by dynamic routing information if the distance of the dynamic route is less than that configured for the static route. Note that the default administrative distances used by the dynamic unicast routing protocols is 110 for OSPF, 120 for RIP, 20 for eBGP, and 200 for iBGP. (Range: 1-255, Default: 1)

Default Setting

No static routes are configured.

Command Mode

Global Configuration

Command Usage

- Up to 1024 static routes can be configured.
- If an administrative distance is defined for a static route, and the same destination can be reached through a dynamic route at a lower administration distance, then the dynamic route will be used.
- The default distance of 1 will take precedence over any other type of route, except for local routes.
- If both static and dynamic paths have the same lowest cost, the first route stored in the routing table, either statically configured or dynamically learned via a routing protocol, will be used.

Example

This example forwards all traffic for subnet 2001::/64 to the next hop router 2001:DB8:2222:7272::254, using the default metric of 1.

```
Console(config)#ipv6 route 2001::/64 2001:DB8:2222:7272::254  
Console(config)#
```

show ipv6 route This command displays information in the Forwarding Information Base (FIB).

Syntax

```
show ipv6 route [ipv6-address[/prefix-length] | database | interface [vlan vlan-id] | local | static]
```

ipv6-address - A full IPv6 address including the network prefix and host address bits.

prefix-length - A decimal value indicating how many contiguous bits (from the left) of the address comprise the prefix (i.e., the network portion of the address).

database – All known routes, including inactive routes.

interface – Displays all routes that be accessed through this interface.

local – Displays all entries for destinations attached directly to this router.

static – Displays all static entries.

vlan-id - VLAN ID. (Range: 1-4093)

Command Mode

Privileged Exec

Command Usage

- The FIB contains information required to forward IP traffic. It contains the interface identifier and next hop information for each reachable destination network prefix based on the IP routing table. When routing or topology changes occur in the network, the routing table is updated, and those changes are immediately reflected in the FIB.

The FIB is distinct from the routing table (or, Routing Information Base), which holds all routing information received from routing peers. The forwarding information base contains unique paths only. It does not contain any secondary paths. A FIB entry consists of the minimum amount of information necessary to make a forwarding decision on a particular packet. The typical components within a forwarding information base entry are a network prefix, a router port identifier, and next hop information.

- This command only displays routes which are currently accessible for forwarding. The router must be able to directly reach the next hop, so the VLAN interface associated with any dynamic or static route entry must be up.

Example

In the following example, note that the last entry displays both the distance and metric for this route.

```
Console#show ipv6 route
Codes: K - kernel route, C - connected, S - static, B - BGP,
       T - Table, v - VNC, V - VNC-Direct,
       > - selected route, * - FIB route, q - queued, r - rejected, b - backup
       t - trapped, o - offload failure

C * fe80::/64 is directly connected, VLAN1, 02:17:31
C>* fe80::/64 is directly connected, VLAN10, 02:18:47
K>* ff00::/8 [0/256] is directly connected, VLAN1, 02:17:33

Console#
```

ECMP Commands

maximum-paths This command sets the maximum number of paths allowed. Use the **no** form to restore the default settings.

Syntax

maximum-paths *path-count*

no maximum-paths

path-count - The maximum number of equal-cost paths to the same destination that can be installed in the routing table. (Range: 1-8)

Command Mode

Global Configuration

Example

```
Console(config)#maximum-paths 8
Console(config)#
```

Section III

Appendices

This section provides additional information and includes these items:

- [“Troubleshooting” on page 883](#)
- [“License Information” on page 885](#)

A

Troubleshooting

Problems Accessing the Management Interface

Table 190: Troubleshooting Chart

Symptom	Action
Cannot connect using Telnet, or SNMP software	<ul style="list-style-type: none">■ Be sure the switch is powered up.■ Check network cabling between the management station and the switch. Make sure the ends are properly connected and there is no damage to the cable. Test the cable if necessary.■ Check that you have a valid network connection to the switch and that the port you are using has not been disabled.■ Be sure you have configured the VLAN interface through which the management station is connected with a valid IP address, subnet mask and default gateway.■ Be sure the management station has an IP address in the same subnet as the switch's IP interface to which it is connected.■ If you are trying to connect to the switch via the IP address for a tagged VLAN group, your management station, and the ports connecting intermediate switches in the network, must be configured with the appropriate tag.■ If you cannot connect using Telnet, you may have exceeded the maximum number of concurrent Telnet/SSH sessions permitted. Try connecting again at a later time.
Cannot connect using Secure Shell	<ul style="list-style-type: none">■ If you cannot connect using SSH, you may have exceeded the maximum number of concurrent Telnet/SSH sessions permitted. Try connecting again at a later time.■ Be sure the control parameters for the SSH server are properly configured on the switch, and that the SSH client software is properly configured on the management station.■ Be sure you have generated an RSA public key on the switch, exported this key to the SSH client, and enabled SSH service. Try using another SSH client or check for updates to your SSH client application.■ Be sure you have set up an account on the switch for each SSH user, including user name, authentication level, and password.■ Be sure you have imported the client's public key to the switch (if public key authentication is used).
Cannot access the on-board configuration program via a serial port connection	<ul style="list-style-type: none">■ Be sure you have set the terminal emulator program to VT100 compatible, 8 data bits, 1 stop bit, no parity, and the baud rate set to 115200 bps.■ Verify that you are using the RJ-45 to DB-9 null-modem serial cable supplied with the switch. If you use any other cable, be sure that it conforms to the pin-out connections provided in the Installation Guide.
Forgot or lost the password	<ul style="list-style-type: none">■ Contact your local distributor.

Using System Logs

If a fault does occur, refer to the Installation Guide to ensure that the problem you encountered is actually caused by the switch. If the problem appears to be caused by the switch, follow these steps:

1. Enable logging.
2. Set the error messages reported to include all categories.
3. Enable SNMP.
4. Enable SNMP traps.
5. Designate the SNMP host that is to receive the error messages.
6. Repeat the sequence of commands or other actions that lead up to the error.
7. Make a list of the commands or circumstances that led to the fault. Also make a list of any error messages displayed.
8. Set up your terminal emulation software so that it can capture all console output to a file. Then enter the “show tech-support” command to record all system settings in this file.
9. Contact your distributor’s service engineer, and send a detailed description of the problem, along with the file used to record your system settings.

For example:

```
Console(config)#logging on
Console(config)#logging history flash 7
Console(config)#snmp-server host 192.168.1.23
:
```

B

License Information

This product includes copyrighted third-party software subject to the terms of the GNU General Public License (GPL), GNU Lesser General Public License (LGPL), or other related free software licenses. The GPL code used in this product is distributed WITHOUT ANY WARRANTY and is subject to the copyrights of one or more authors. For details, refer to the section "The GNU General Public License" below, or refer to the applicable license as included in the source-code archive.

The GNU General Public License

GNU GENERAL PUBLIC LICENSE

Version 2, June 1991

Copyright (C) 1989, 1991 Free Software Foundation, Inc.
59 Temple Place, Suite 330, Boston, MA 02111-1307 USA

Everyone is permitted to copy and distribute verbatim copies of this license document, but changing it is not allowed.

Preamble

The licenses for most software are designed to take away your freedom to share and change it. By contrast, the GNU General Public License is intended to guarantee your freedom to share and change free software--to make sure the software is free for all its users. This General Public License applies to most of the Free Software Foundation's software and to any other program whose authors commit to using it. (Some other Free Software Foundation software is covered by the GNU Library General Public License instead.) You can apply it to your programs, too.

When we speak of free software, we are referring to freedom, not price. Our General Public Licenses are designed to make sure that you have the freedom to distribute copies of free software (and charge for this service if you wish), that you receive source code or can get it if you want it, that you can change the software or use pieces of it in new free programs; and that you know you can do these things.

To protect your rights, we need to make restrictions that forbid anyone to deny you these rights or to ask you to surrender the rights. These restrictions translate to certain responsibilities for you if you distribute copies of the software, or if you modify it.

For example, if you distribute copies of such a program, whether gratis or for a fee, you must give the recipients all the rights that you have. You must make sure that they, too, receive or can get the source code. And you must show them these terms so they know their rights.

We protect your rights with two steps: (1) copyright the software, and (2) offer you this license which gives you legal permission to copy, distribute and/or modify the software.

Also, for each author's protection and ours, we want to make certain that everyone understands that there is no warranty for this free software. If the software is modified by someone else and passed on, we want its recipients to know that what they have is not the original, so that any problems introduced by others will not reflect on the original authors' reputations.

Finally, any free program is threatened constantly by software patents. We wish to avoid the danger that redistributors of a free program will individually obtain patent licenses, in effect making the program proprietary. To prevent this, we have made it clear that any patent must be licensed for everyone's free use or not licensed at all.

The precise terms and conditions for copying, distribution and modification follow.

GNU GENERAL PUBLIC LICENSE TERMS AND CONDITIONS FOR COPYING, DISTRIBUTION AND MODIFICATION

1. This License applies to any program or other work which contains a notice placed by the copyright holder saying it may be distributed under the terms of this General Public License. The "Program", below, refers to any such program or work, and a "work based on the Program" means either the Program or any derivative work under copyright law: that is to say, a work containing the Program or a portion of it, either verbatim or with modifications and/or translated into another language. (Hereinafter, translation is included without limitation in the term "modification".) Each licensee is addressed as "you".

Activities other than copying, distribution and modification are not covered by this License; they are outside its scope. The act of running the Program is not restricted, and the output from the Program is covered only if its contents constitute a work based on the Program (independent of having been made by running the Program). Whether that is true depends on what the Program does.

2. You may copy and distribute verbatim copies of the Program's source code as you receive it, in any medium, provided that you conspicuously and appropriately publish on each copy an appropriate copyright notice and disclaimer of warranty; keep intact all the notices that refer to this License and to the absence of any warranty; and give any other recipients of the Program a copy of this License along with the Program.

You may charge a fee for the physical act of transferring a copy, and you may at your option offer warranty protection in exchange for a fee.

3. You may modify your copy or copies of the Program or any portion of it, thus forming a work based on the Program, and copy and distribute such modifications or work under the terms of Section 1 above, provided that you also meet all of these conditions:
 - a) You must cause the modified files to carry prominent notices stating that you changed the files and the date of any change.
 - b) You must cause any work that you distribute or publish, that in whole or in part contains or is derived from the Program or any part thereof, to be licensed as a whole at no charge to all third parties under the terms of this License.
 - c) If the modified program normally reads commands interactively when run, you must cause it, when started running for such interactive use in the most ordinary way, to print or display an announcement including an appropriate copyright notice and a notice that there is no warranty (or else, saying that you provide a warranty) and that users may redistribute the program under these conditions, and telling the user how to view a copy of this License. (Exception: if the Program itself is interactive but does not normally print such an announcement, your work based on the Program is not required to print an announcement.)

These requirements apply to the modified work as a whole. If identifiable sections of that work are not derived from the Program, and can be reasonably considered independent and separate works in themselves, then this License, and its terms, do not apply to those sections when you distribute them as separate works. But when you distribute the same sections as part of a whole which is a work based on the Program, the distribution of the whole must be on the terms of this License, whose permissions for other licensees extend to the entire whole, and thus to each and every part regardless of who wrote it.

Thus, it is not the intent of this section to claim rights or contest your rights to work written entirely by you; rather, the intent is to exercise the right to control the distribution of derivative or collective works based on the Program.

In addition, mere aggregation of another work not based on the Program with the Program (or with a work based on the Program) on a volume of a storage or distribution medium does not bring the other work under the scope of this License.

4. You may copy and distribute the Program (or a work based on it, under Section 2) in object code or executable form under the terms of Sections 1 and 2 above provided that you also do one of the following:

- a) Accompany it with the complete corresponding machine-readable source code, which must be distributed under the terms of Sections 1 and 2 above on a medium customarily used for software interchange; or,
- b) Accompany it with a written offer, valid for at least three years, to give any third party, for a charge no more than your cost of physically performing source distribution, a complete machine-readable copy of the corresponding source code, to be distributed under the terms of Sections 1 and 2 above on a medium customarily used for software interchange; or,
- c) Accompany it with the information you received as to the offer to distribute corresponding source code. (This alternative is allowed only for noncommercial distribution and only if you received the program in object code or executable form with such an offer, in accord with Subsection b above.)

The source code for a work means the preferred form of the work for making modifications to it. For an executable work, complete source code means all the source code for all modules it contains, plus any associated interface definition files, plus the scripts used to control compilation and installation of the executable. However, as a special exception, the source code distributed need not include anything that is normally distributed (in either source or binary form) with the major components (compiler, kernel, and so on) of the operating system on which the executable runs, unless that component itself accompanies the executable.

If distribution of executable or object code is made by offering access to copy from a designated place, then offering equivalent access to copy the source code from the same place counts as distribution of the source code, even though third parties are not compelled to copy the source along with the object code.

5. You may not copy, modify, sublicense, or distribute the Program except as expressly provided under this License. Any attempt otherwise to copy, modify, sublicense or distribute the Program is void, and will automatically terminate your rights under this License. However, parties who have received copies, or rights, from you under this License will not have their licenses terminated so long as such parties remain in full compliance.
6. You are not required to accept this License, since you have not signed it. However, nothing else grants you permission to modify or distribute the Program or its derivative works. These actions are prohibited by law if you do not accept this License. Therefore, by modifying or distributing the Program (or any work based on the Program), you indicate your acceptance of this License to do so, and all its terms and conditions for copying, distributing or modifying the Program or works based on it.
7. Each time you redistribute the Program (or any work based on the Program), the recipient automatically receives a license from the original licensor to copy, distribute or modify the Program subject to these terms and conditions. You may not impose any further restrictions on the recipients' exercise of the rights granted herein. You are not responsible for enforcing compliance by third parties to this License.
8. If, as a consequence of a court judgment or allegation of patent infringement or for any other reason (not limited to patent issues), conditions are imposed on you (whether by court order, agreement or otherwise) that contradict the conditions of this License, they do not excuse you from the conditions of this License. If you cannot distribute so as to satisfy simultaneously your obligations under this License and any other pertinent obligations, then as a consequence you may not distribute the Program at all. For example, if a patent license would not permit royalty-free redistribution of the Program by all those who receive copies directly or indirectly through you, then the only way you could satisfy both it and this License would be to refrain entirely from distribution of the Program.

If any portion of this section is held invalid or unenforceable under any particular circumstance, the balance of the section is intended to apply and the section as a whole is intended to apply in other circumstances.

It is not the purpose of this section to induce you to infringe any patents or other property right claims or to contest validity of any such claims; this section has the sole purpose of protecting the integrity of the free software distribution system, which is implemented by public license practices. Many people have made generous contributions to the wide range of software distributed through that system in reliance on consistent application of that system; it is up to the author/donor to decide if he or she is willing to distribute software through any other system and a licensee cannot impose that choice.

This section is intended to make thoroughly clear what is believed to be a consequence of the rest of this License.

9. If the distribution and/or use of the Program is restricted in certain countries either by patents or by copyrighted interfaces, the original copyright holder who places the Program under this License may add an explicit geographical distribution limitation excluding those countries, so that distribution is permitted only in or among countries not thus excluded. In such case, this License incorporates the limitation as if written in the body of this License.
10. The Free Software Foundation may publish revised and/or new versions of the General Public License from time to time. Such new versions will be similar in spirit to the present version, but may differ in detail to address new problems or concerns.

Each version is given a distinguishing version number. If the Program specifies a version number of this License which applies to it and "any later version", you have the option of following the terms and conditions either of that version or of any later version published by the Free Software Foundation. If the Program does not specify a version number of this License, you may choose any version ever published by the Free Software Foundation.

11. If you wish to incorporate parts of the Program into other free programs whose distribution conditions are different, write to the author to ask for permission. For software which is copyrighted by the Free Software Foundation, write to the Free Software Foundation; we sometimes make exceptions for this. Our decision will be guided by the two goals of preserving the free status of all derivatives of our free software and of promoting the sharing and reuse of software generally.

NO WARRANTY

1. BECAUSE THE PROGRAM IS LICENSED FREE OF CHARGE, THERE IS NO WARRANTY FOR THE PROGRAM, TO THE EXTENT PERMITTED BY APPLICABLE LAW. EXCEPT WHEN OTHERWISE STATED IN WRITING THE COPYRIGHT HOLDERS AND/OR OTHER PARTIES PROVIDE THE PROGRAM "AS IS" WITHOUT WARRANTY OF ANY KIND, EITHER EXPRESSED OR IMPLIED, INCLUDING, BUT NOT LIMITED TO, THE IMPLIED WARRANTIES OF MERCHANTABILITY AND FITNESS FOR A PARTICULAR PURPOSE. THE ENTIRE RISK AS TO THE QUALITY AND PERFORMANCE OF THE PROGRAM IS WITH YOU. SHOULD THE PROGRAM PROVE DEFECTIVE, YOU ASSUME THE COST OF ALL NECESSARY SERVICING, REPAIR OR CORRECTION.
2. IN NO EVENT UNLESS REQUIRED BY APPLICABLE LAW OR AGREED TO IN WRITING WILL ANY COPYRIGHT HOLDER, OR ANY OTHER PARTY WHO MAY MODIFY AND/OR REDISTRIBUTE THE PROGRAM AS PERMITTED ABOVE, BE LIABLE TO YOU FOR DAMAGES, INCLUDING ANY GENERAL, SPECIAL, INCIDENTAL OR CONSEQUENTIAL DAMAGES ARISING OUT OF THE USE OR INABILITY TO USE THE PROGRAM (INCLUDING BUT NOT LIMITED TO LOSS OF DATA OR DATA BEING RENDERED INACCURATE OR LOSSES SUSTAINED BY YOU OR THIRD PARTIES OR A FAILURE OF THE PROGRAM TO OPERATE WITH ANY OTHER PROGRAMS), EVEN IF SUCH HOLDER OR OTHER PARTY HAS BEEN ADVISED OF THE POSSIBILITY OF SUCH DAMAGES.

END OF TERMS AND CONDITIONS

