



SHIFT AEC SPECIFICATION

PLUG & PLAY ACTIVE ELECTRICAL CABLE for In-Rack Ethernet Applications in NIC-TOR

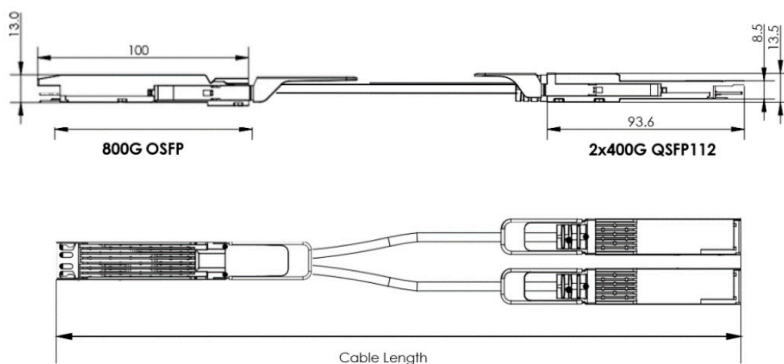
800G OSFP PAM4 to 2x400G QSFP112 PAM4

Credo's HiWire™ SHIFT Active Electrical Cable (SHIFT AEC)

A reliable, plug & play replacement of Active Optical Cable (AOC) for high-speed interconnects (up to 800Gbps). Intended for rack-to-rack connectivity, these cables support up to 2.5m reach, consume up to 75% less power than optics, cost up to 50% less than optics, and offer a 10- year service life.

Credo's CAC8XX321A2N-C0-HW HiWire SHIFT AEC

Designed for telecom and data center use. It can sustain 8 lanes of 112G PAM4 signal in each direction, and provides a breakout function to 2x400G QSFP112 connectors with software selectable 4x112G operation. The use and replacement of CAC8XX321A2N-C0-HW AEC is simple and straightforward as it adopts standard QSFP-DD800 type 2 form factor and complies to MSA specifications.



Features

The following are the key features of the HiWire LP SHIFT AEC:

- Recognizable, purple LSZH jacket
- 800G to 2X400G data rate 400G side 4x112G
- CMIS compliant
- Single 3.3V power supply
- Typ. 10W power dissipation per 800G side; 5W per 400G side
- BER 10^{-15} (post FEC)
- Hot pluggable
- RoHS2 compliant
- I²C management interface
- Operating case temperature range: 0° to +70°C

Supported Standards and Interfaces

- Common Management Interface Specification (CMIS) v5.0
- OSFP MSA v3.0

Key Features

Parameter	Value
Module Form Factor	OSFP and QSFP112
Number of Data Lanes	800G Side: 8 TX and 8 RX per module (PAM4) 400G Side: 4 TX and 4 RX per module (PAM4)
Maximum Aggregate Data Rate	800Gbps
Nominal Data Rate per Lane	800G Side: 106.25Gbps (PAM4) 400G Side: 106.25Gbps (PAM4)
Electrical Interface and Pin-out	60-pin edge connector 38-pin edge connector
Pin Description	Per OSFP/ QSFP112 Hardware Specification
Management Interface	I ² C, serial, timing per Common Management Interface Specification for 8X/16X Pluggable Transceivers
Length of Copper AEC	0.5m – 2.5m
BER (Pre-FEC)*	Typ. <10 ⁻⁸
BER (Post-FEC)*	<10 ⁻¹⁵

* Tested with QPRBS31 pattern

Product Selections

Part Number	Length	AWG	Weight
CAC8XX321A2N-C0-HW	0.5-2.5m	32	350-550g

- Length available in 0.5m increment
- Weight increases by 50g for every 0.5m increment

Mechanicals

Parameter	Cable Type	Typical
Diameter	8P 32AWG	6.0mm
Minimum bend radius	8P 32AWG	18mm

For more information please visit www.credosemi.com
or email sales@credosemi.com