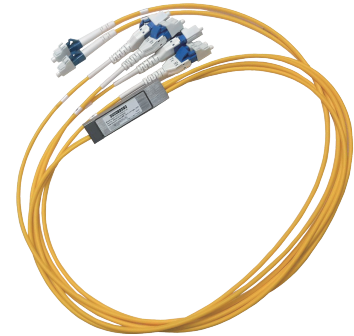


Packet-Optical 4CH Compact-MDM

ECPO-MDM4



The ECPO-MDM4 is Edgecore’s ultra compact, cable-type DWDM Mux/Demux designed for packet-optical DWDM applications that completely removes the need for an external Mux/Demux chassis. Combined with Edgecore’s pluggable EDFA modules, the DWDM Mux/Demux adds the full functions of a 0-RU DWDM/amplifier platform to Edgecore’s packet-optical switch product family, with reduced rack space, lowest-power, and optimum cost effectiveness.

Product Features

- C-band DWDM 4-channel Mux/Demux (C25/C27/C29/C31 channels with min 0.8nm 3dB BW)
- Ultra compact cable-style package for switch packet-optical DWDM applications
- LC/UPC connector
- Operating temperature range: -5°C~+70°C
- RoHS Compliant

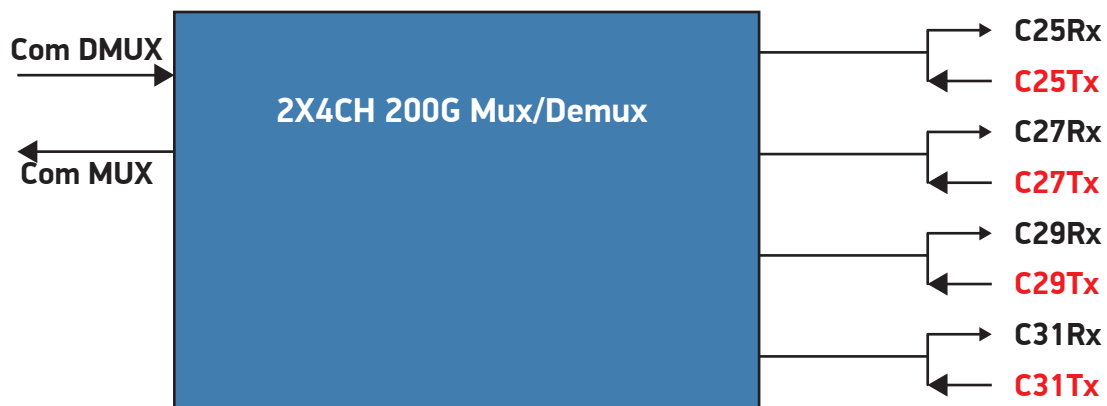
Ordering Information

Model Name	Pigtail Length	Connectors	DWDM Channels	Operation Temperature
ECPO-MDM4-A1-05	0.5m	COM ports: LC/UPC Channel ports: Duplex LC/UPC	C25/C27/C29/C31 (3dB BW min 0.8nm)	-5 to +70°C

Optic and/or Electric Specifications

Parameters	4 Channels (2 common ports)	Unit
Central Wavelength	C25/C27/C29/C31	
Channel Spacing	200	GHz
Channel Number	4	
Bandwidth@3dB	≥0.8	nm
Insertion Loss (With Connector Loss)	≤2.0	dB
Ripple	≤0.5	dB
PDL	≤0.3	dB
Isolation-Adjacent	≥28	dB
Isolation-Non-adjacent	≥35	dB
Return Loss	≥40	dB
Directivity	≥50	dB
Connector Type	COM: LC/UPC Other Channels: Uni-boot LC/UPC	/
Fiber Length	0.55±0.1	m
Dimension	60x14.4x8.5	mm

Note: On the Channel side, duplex connector matches ZR optics Tx/Rx port locations.



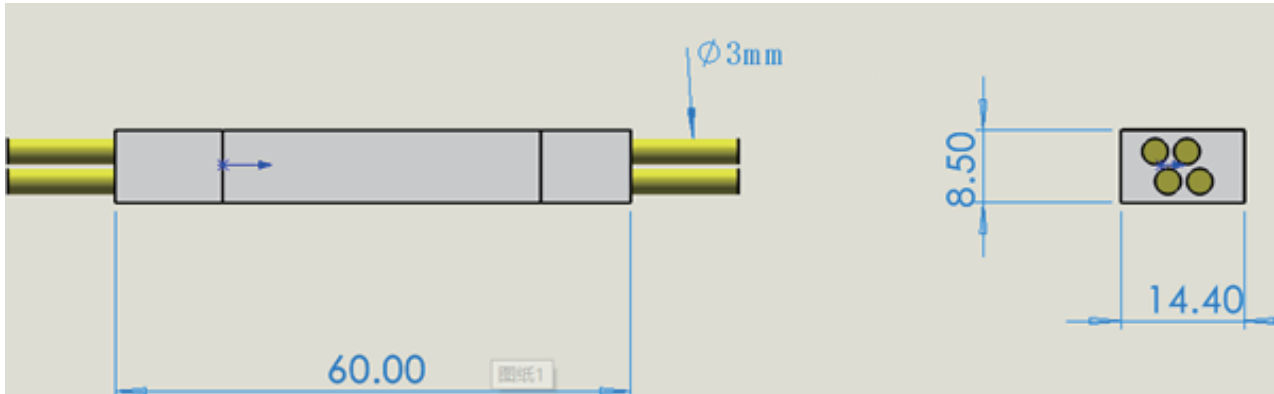
Channel ID	Freq (THz)	Wavelength (nm)
C25	192.500	1557.36
C27	192.700	1555.75
C29	192.900	1554.13
C31	193.100	1552.52

Absolute Maximum Ratings

Parameter	Specification	Units	Note
Operation Temperature	-5 - 70	°C	
Operation Humidity	5 - 95	%RH	
Storage Temperature	-40 ~ +85	°C	
Storage Humidity	0 - 95	%RH	

Mechanical Drawings

4CH MUX+DEMUX DWDM Dimensions



Pigtail and Connector

Connector label: Com Demux, Com Mux

The other port label as below:



Parameter	Specification	Units	Note
Fiber Type	G657A1, 3mm jacket		All Ports
Connector Type	COM LC/UPC Other ports LC/UPC uni-boot		

Product Label

The Edge-core logo, consisting of the letters "E", "d", "g", "e", "-", "c", "o", "r", "e" in a bold, sans-serif font, with "E" and "e" in red.

Model Name: ECPO-MDM4-A1-05

Part No: M0OECECPO003Z

Packet-Optical 4CH Compact-MDM, Type A1, 0.5m Pigtail, LC/UPC



RoHS

A8202201290001

Class 1 Laser Product

Warranty

Please check www.edge-core.com for the warranty terms in your country.

For More Information

To find out more about Edgecore Networks Corporation products and solutions, visit www.edge-core.com.

About Edgecore Networks Corporation

Edgecore Networks Corporation is in the business of providing innovative network solutions. In the service provider network, in the data center or in the cloud, Edgecore Networks Corporation delivers the software and systems that transform the way the world connects. Edgecore Networks Corporation serves customers and partners worldwide. Additional information can be found at www.edge-core.com.

Edgecore Networks Corporation is a subsidiary of Accton Technology Corporation, the leading network ODM company. The Edgecore data center switches are developed and manufactured by Accton.

To purchase Edgecore Networks solutions, please contact your Edgecore Networks Corporation representatives at +886 3 563 8888 (HQ) or +1 (949)-336-6801 or authorized resellers.

© Copyright 2022 Edgecore Networks Corporation. The information contained herein is subject to change without notice. This document is for informational purposes only and does not set forth any warranty, expressed or implied, concerning any equipment, equipment feature, or service offered by Edgecore Networks Corporation. Edgecore Networks Corporation shall not be liable for technical or editorial errors or omissions contained herein.